



US00D877673S

(12) **United States Design Patent**
Oku et al.

(10) **Patent No.:** **US D877,673 S**
(45) **Date of Patent:** **** Mar. 10, 2020**

(54) **CALIPER BODY OF DISK BRAKE FOR VEHICLE**

FOREIGN PATENT DOCUMENTS

(71) Applicant: **NISSIN KOGYO CO., LTD.**, Tomi, Nagano (JP)

JP 1025305 S 11/1998
JP 1102391 S 3/2001
JP 1102977 S 3/2001

(72) Inventors: **Kouichirou Oku**, Tomi (JP); **Satoshi Ogitani**, Tama (JP); **Hiroaki Tanaka**, Tama (JP)

OTHER PUBLICATIONS

(73) Assignee: **NISSIN KOGYO CO., LTD.**, Tomi (JP)

Decision to Grant Design Registration and Report dated Jul. 21, 2017, issued in counterpart Japanese Design Application No. 2017-006177, w/English brief translation (5 pages).

(**) Term: **15 Years**

Primary Examiner — Susan E Krakower

Assistant Examiner — Jerry Shiuian-Hua Hsu

(21) Appl. No.: **29/618,306**

(74) *Attorney, Agent, or Firm* — Westerman, Hattori, Daniels & Adrian, LLP

(22) Filed: **Sep. 20, 2017**

(57) **CLAIM**

(30) **Foreign Application Priority Data**

The ornamental design for a caliper body of disk brake for vehicle, as shown and described.

Mar. 27, 2017 (JP) 2017-006177

(51) **LOC (12) Cl.** **12-16**

DESCRIPTION

(52) **U.S. Cl.**
USPC **D12/180**

(58) **Field of Classification Search**
USPC D12/179, 180, 188, 123
CPC F16D 65/092; F16D 65/0068; F16D 55/2265; F16D 55/22655
See application file for complete search history.

FIG. 1 is a front view of a caliper body of disk brake for vehicle, showing our new design;
FIG. 2 is a rear view thereof;
FIG. 3 is a top view thereof;
FIG. 4 is a bottom view thereof;
FIG. 5 is a right side view thereof;
FIG. 6 is a left side view thereof;
FIG. 7 is a cross-sectional view, taken along lines 7-7, shown in FIG. 1;
FIG. 8 is a cross-sectional view, taken along lines 8-8, shown in FIG. 1;
FIG. 9 is a cross-sectional view, taken along lines 9-9, shown in FIG. 1; and,
FIG. 10 is a perspective view of the caliper body of disk brake for vehicle.

(56) **References Cited**

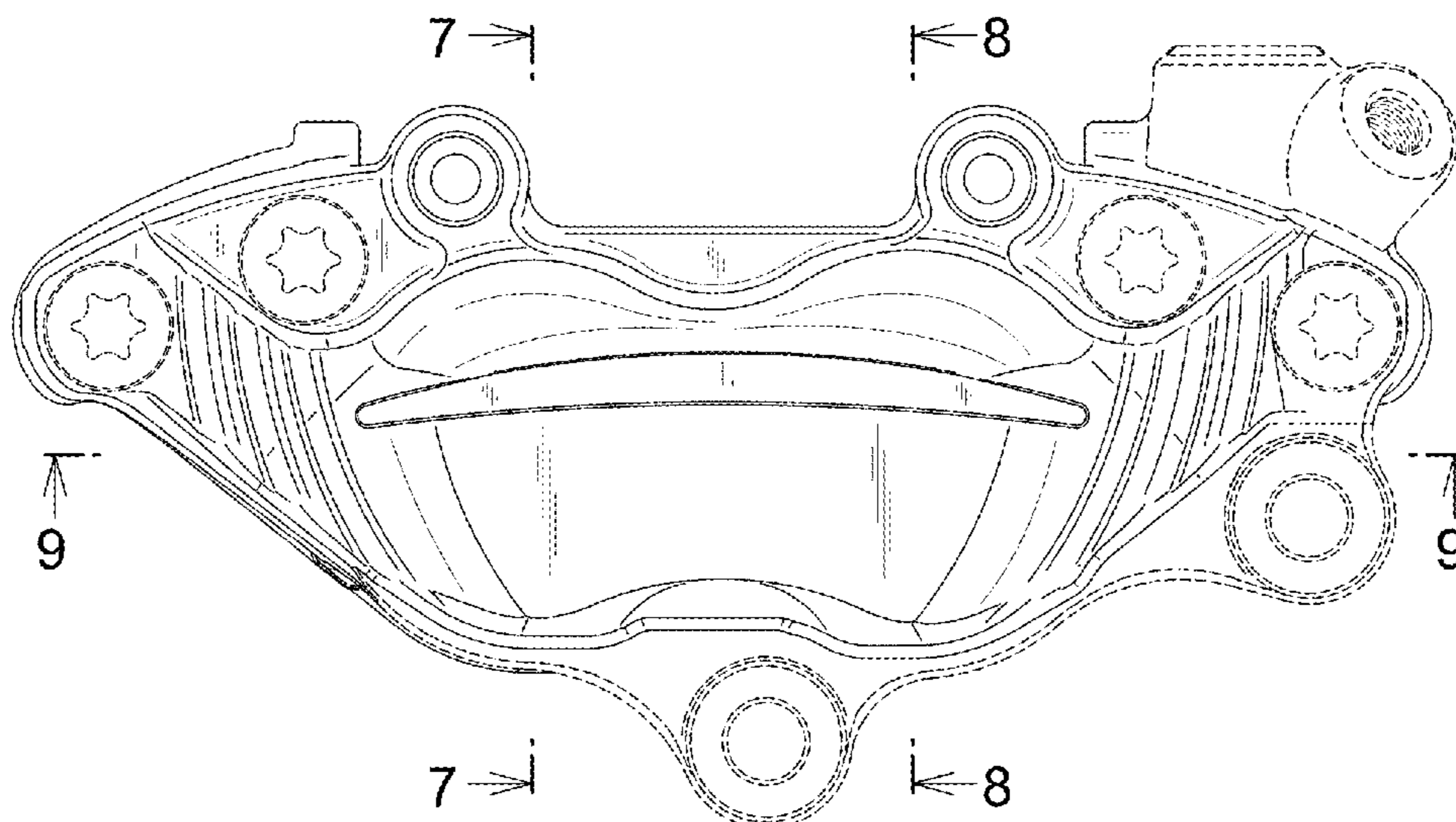
U.S. PATENT DOCUMENTS

D351,365 S * 10/1994 Powers D12/180
D373,340 S * 9/1996 Sands D12/180
D378,363 S * 3/1997 Sin D12/180
6,047,795 A * 4/2000 Kobayashi F16D 55/22655
188/73.43
D491,500 S * 6/2004 Fujiwara D12/180
D506,714 S * 6/2005 Ono D12/180
D508,001 S * 8/2005 Matsumoto D12/180
D512,667 S * 12/2005 Iwasaki D12/180

The broken lines in the drawings illustrate portions of the caliper body of disk brake for vehicle that form no part of the claimed design.

(Continued)

1 Claim, 5 Drawing Sheets



(56)

References Cited

U.S. PATENT DOCUMENTS

D512,946 S * 12/2005 Hatakoshi D12/180
D522,420 S * 6/2006 Crippa D12/180
D560,579 S * 1/2008 Sasaki D12/180
D560,580 S * 1/2008 Sasaki D12/180
D686,955 S * 7/2013 Asakura D12/180
D700,551 S * 3/2014 Davenport, III D12/180
9,353,809 B2 * 5/2016 Atsuta F16D 55/2265
D812,534 S * 3/2018 Scheibe D12/180
D842,782 S * 3/2019 Verdelli D12/180
2015/0233438 A1 * 8/2015 Atsuta F16D 65/0068
188/73.31
2017/0074338 A1 * 3/2017 Fischl F16D 65/092

* cited by examiner

Figure 1

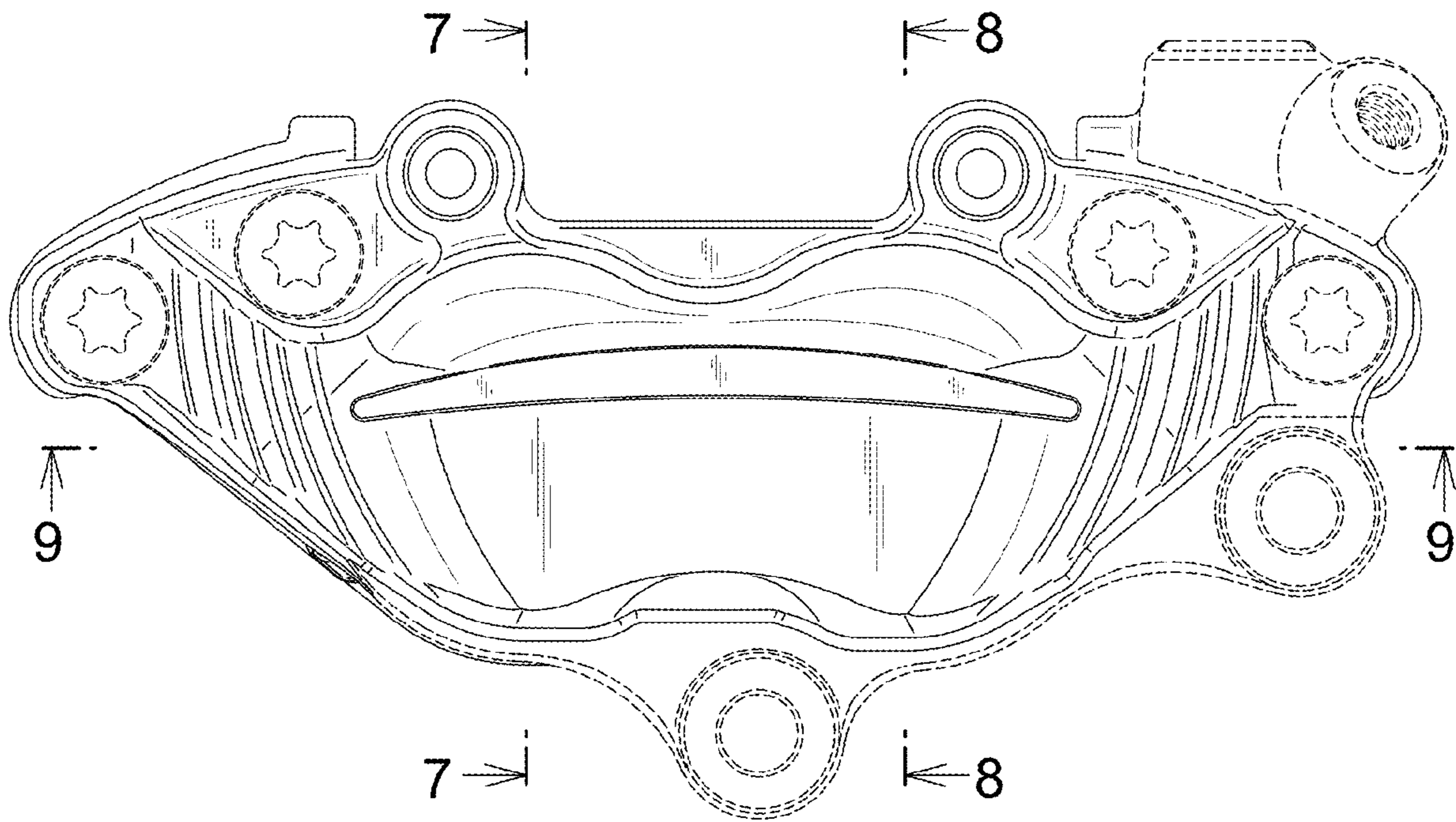


Figure 2

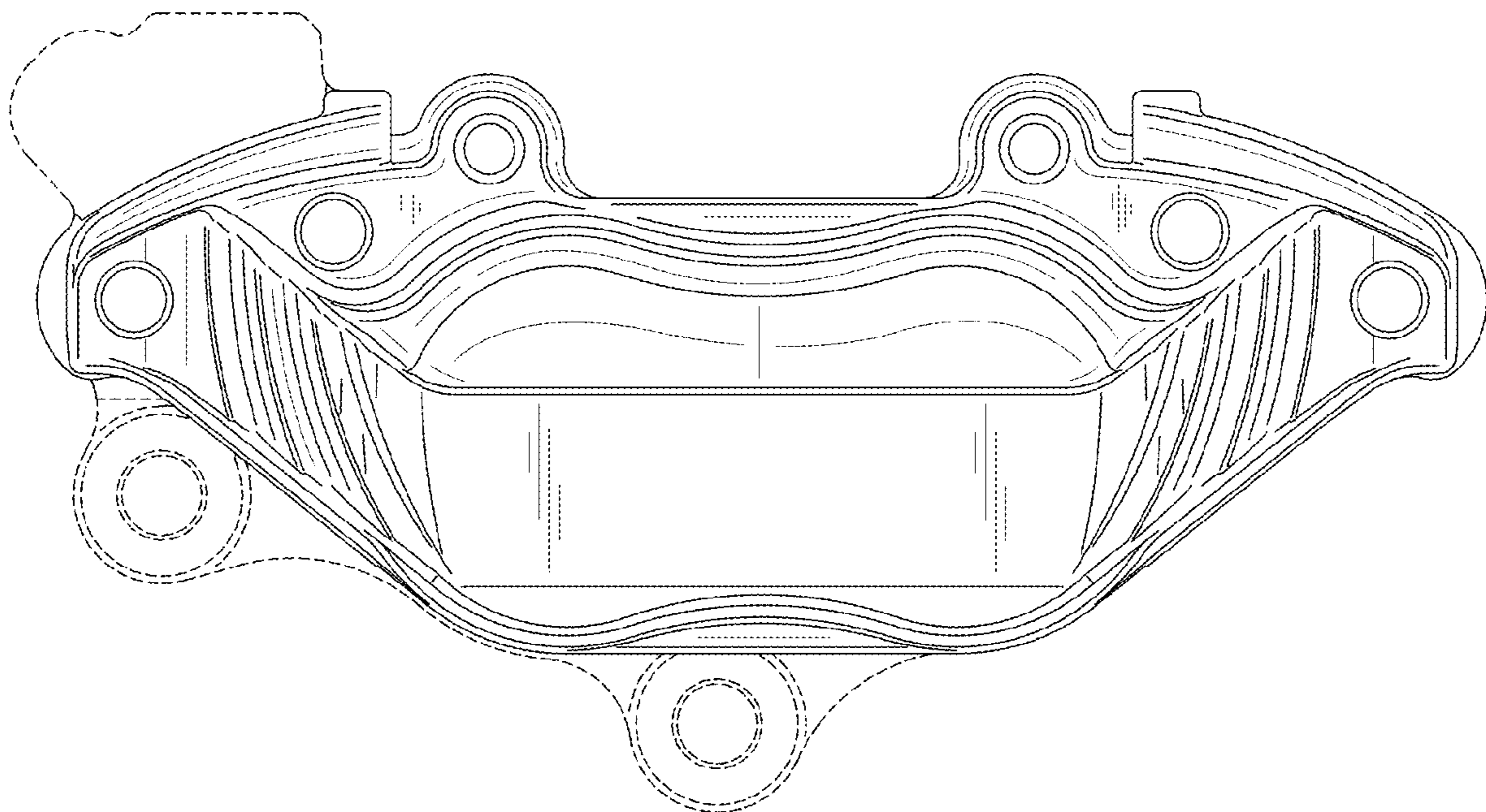


Figure 3

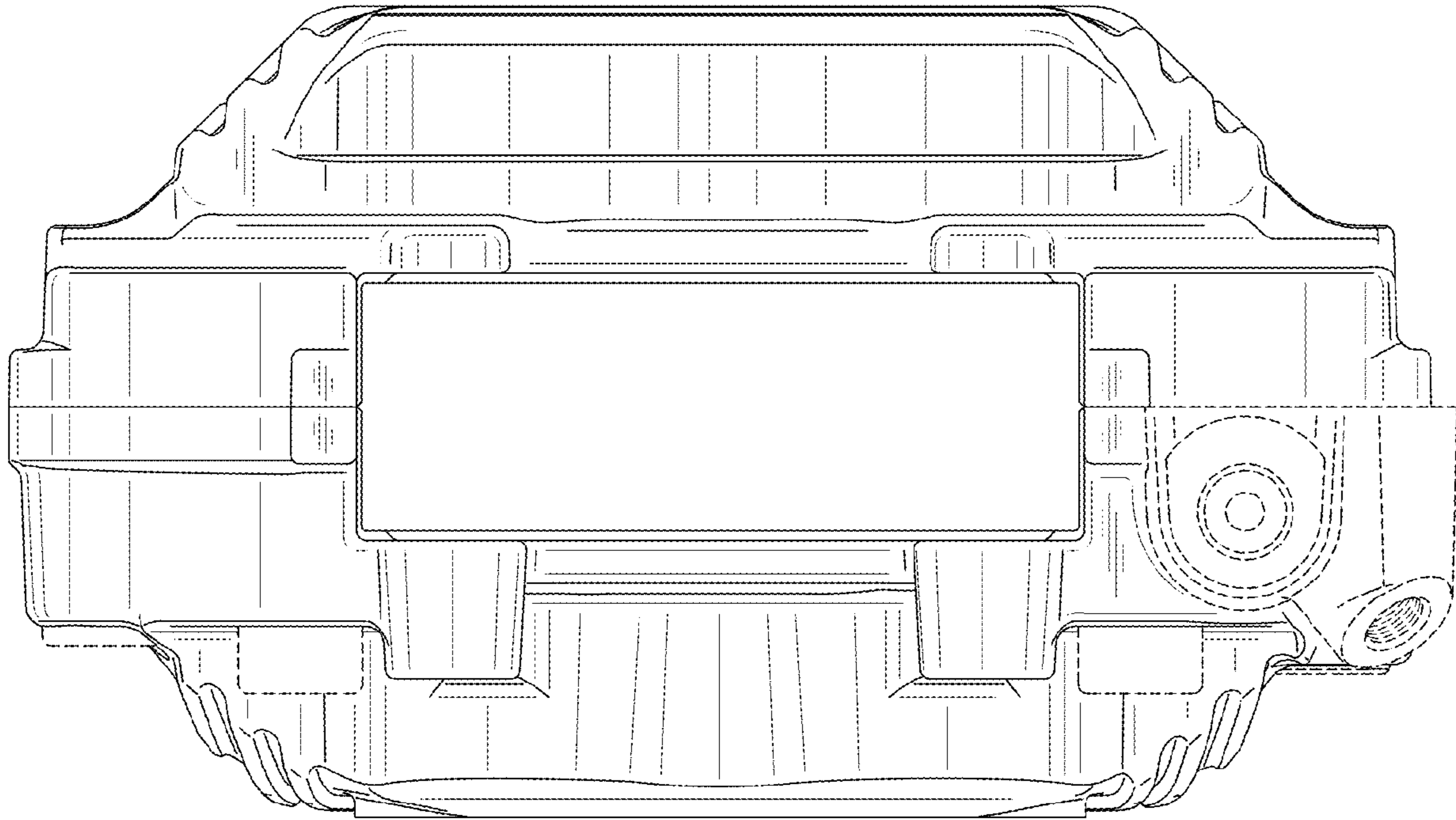


Figure 4

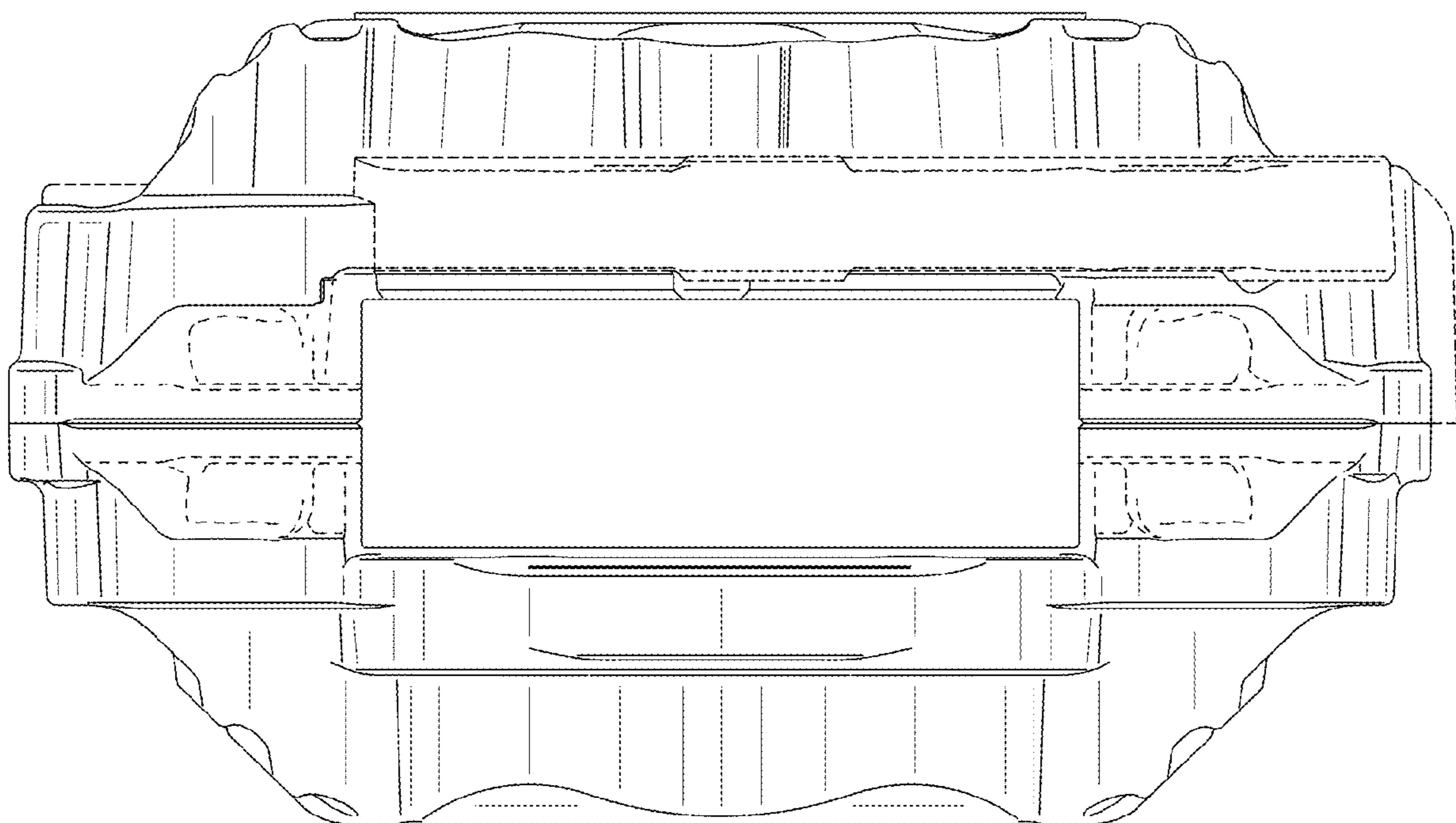


Figure 5

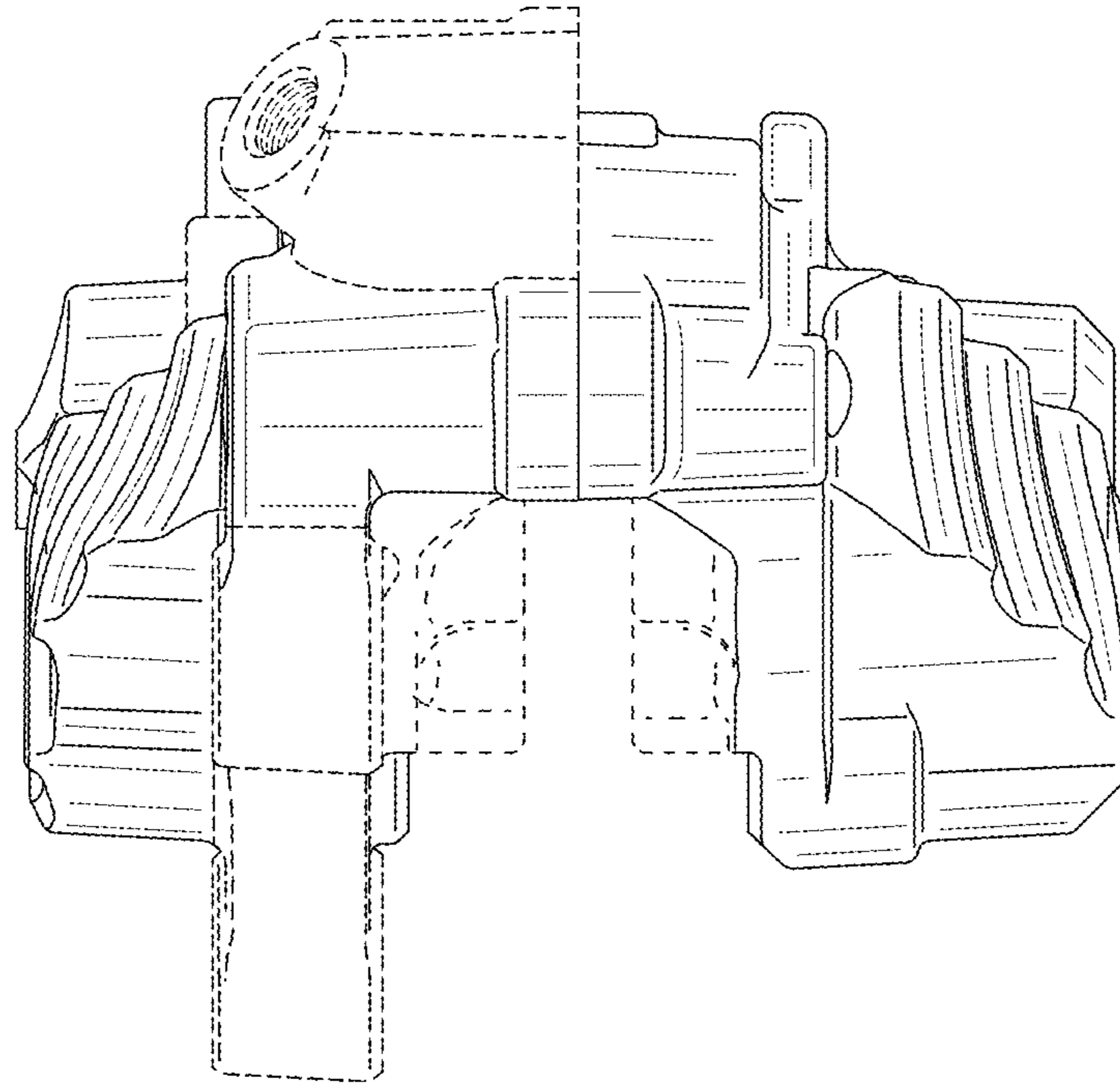


Figure 6

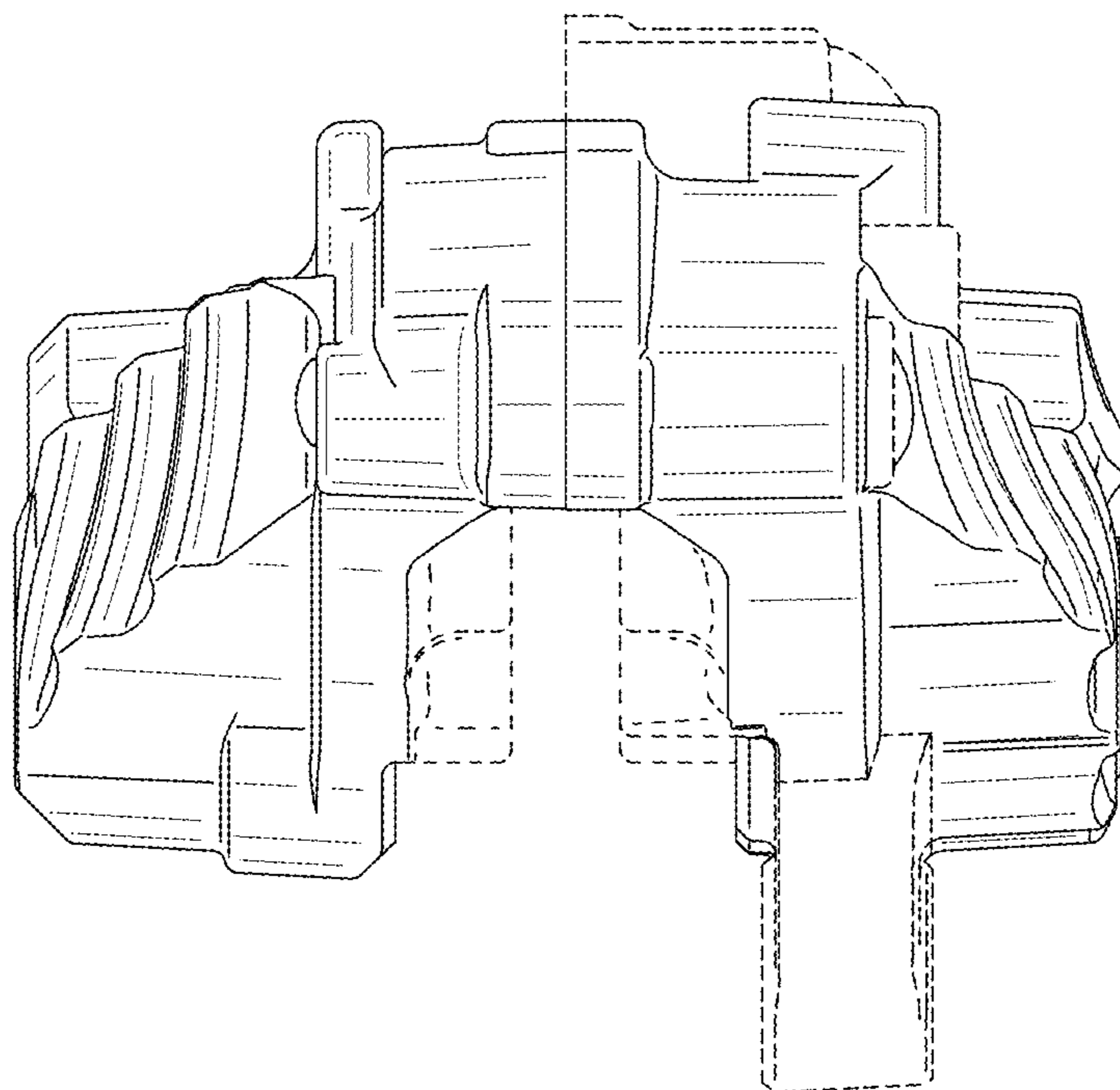


Figure 7

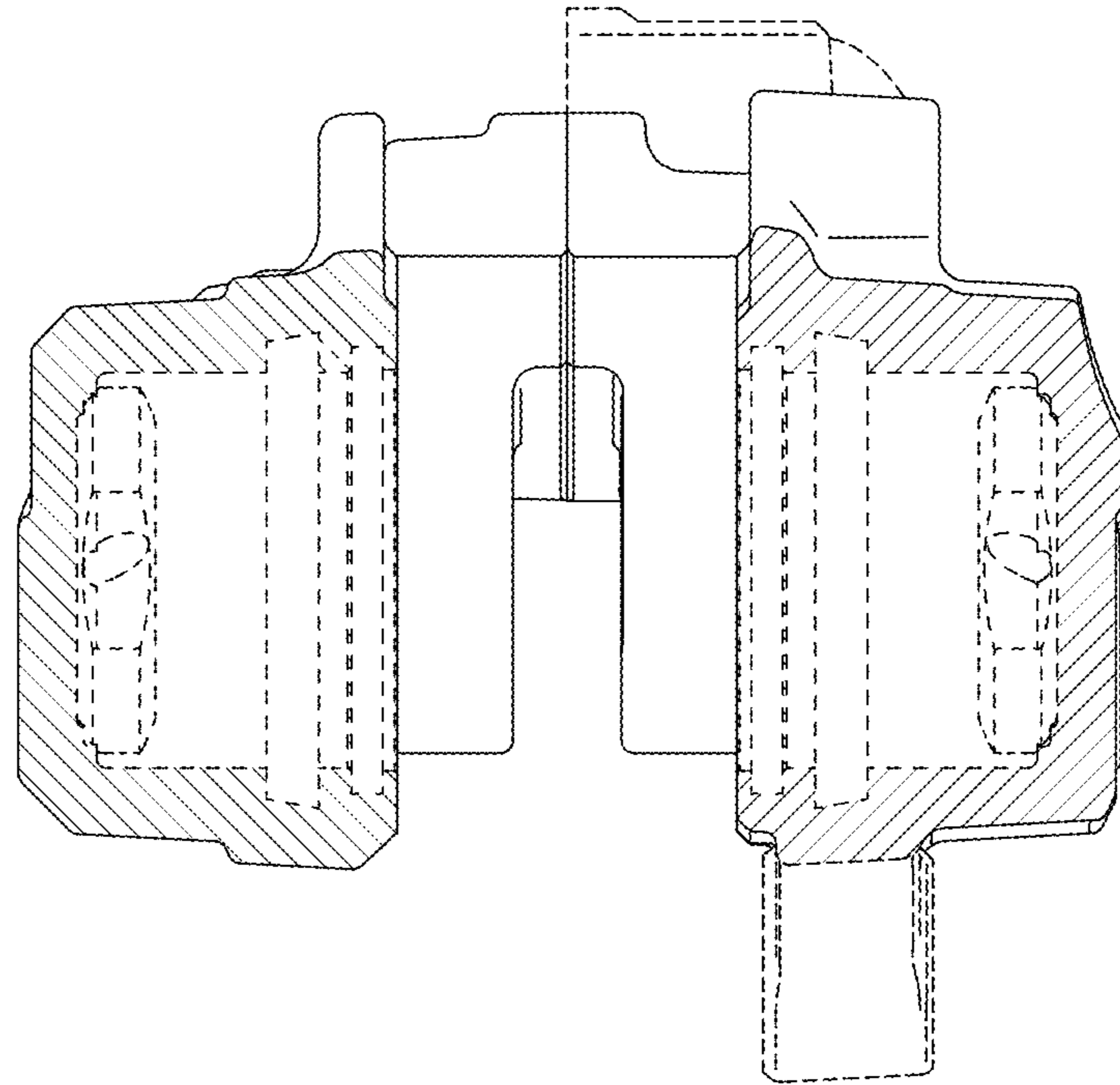


Figure 8

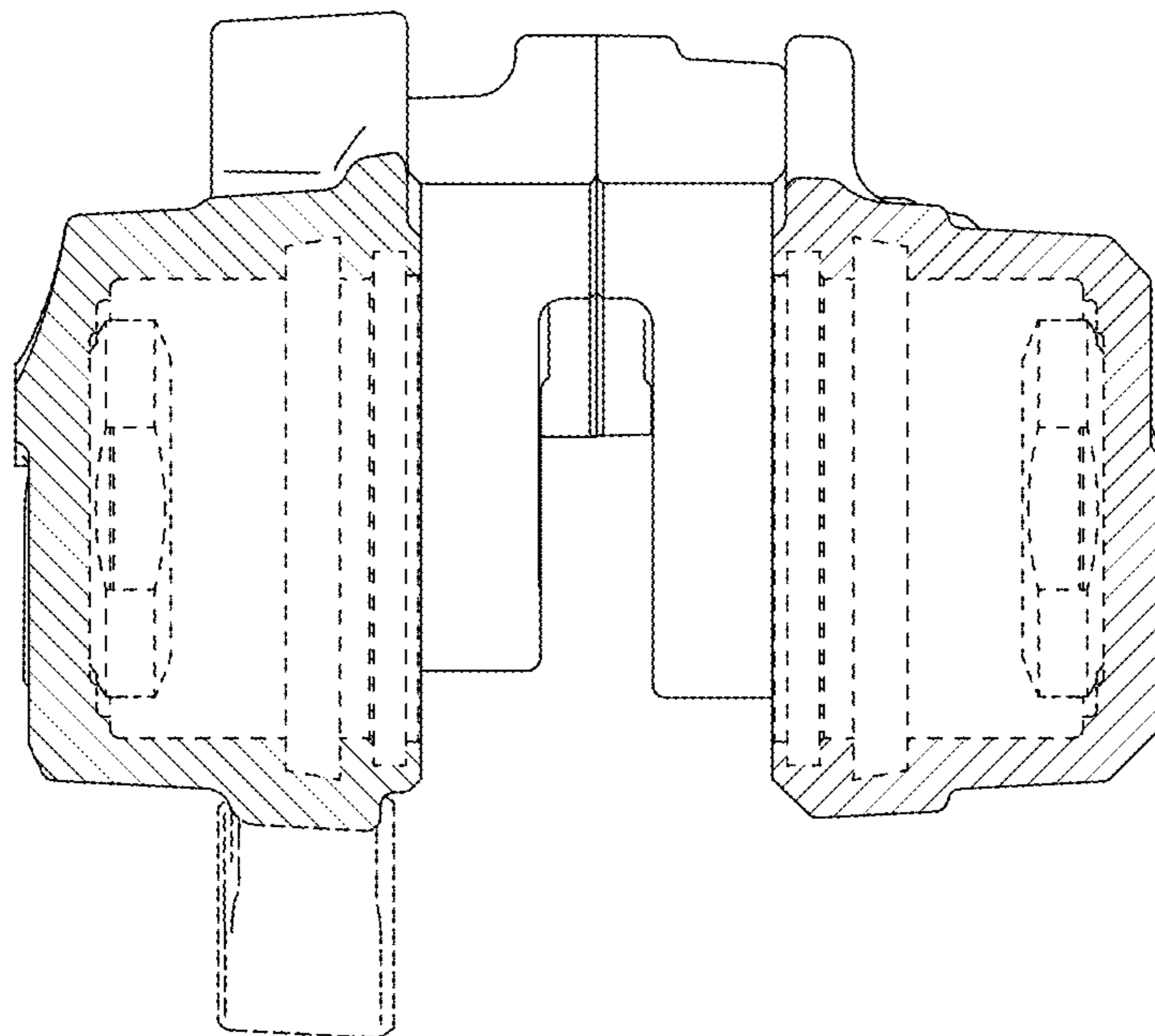


Figure 9

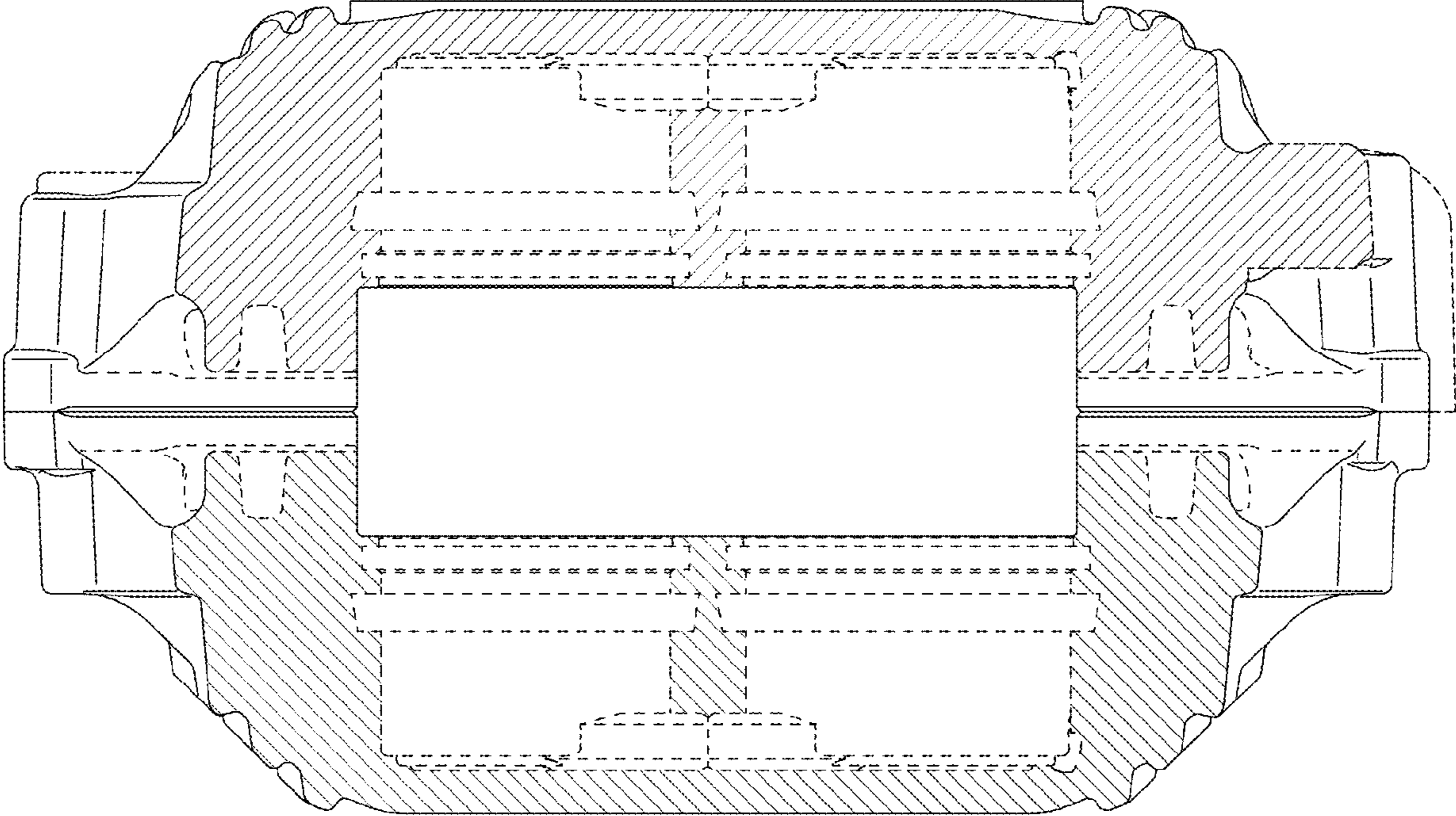


Figure 10

