



US00D877671S

(12) **United States Design Patent** (10) **Patent No.:** **US D877,671 S**
Baker (45) **Date of Patent:** **** Mar. 10, 2020**

(54) **LIGHTED AUTOMOBILE BUMPER ACCESSORY**

(71) Applicant: **Monsour Baker**, Orlando, FL (US)

(72) Inventor: **Monsour Baker**, Orlando, FL (US)

(**) Term: **15 Years**

(21) Appl. No.: **29/639,232**

(22) Filed: **Mar. 5, 2018**

(51) **LOC (12) Cl.** **12-16**

(52) **U.S. Cl.**
USPC **D12/172; D12/169**

(58) **Field of Classification Search**

USPC D12/20, 39, 42, 46, 86, 87, 106, 114,
D12/163, 164, 167, 169, 172, 190, 222,
D12/223, 317; D8/14, 106, 306, 349,
D8/355, 404, 499; D26/28, 29, 30, 31,
D26/32, 33, 34, 35, 36
CPC .. B60Q 1/2611; B60Q 1/0483; B60Q 1/0416;
B60Q 1/18; B60Q 1/0686; B60Q 1/305;
B60R 19/18; B60R 19/50; B62J 6/00
See application file for complete search history.

(56) **References Cited**

U.S. PATENT DOCUMENTS

3,639,748	A	2/1972	Pearson et al.	
3,645,575	A	2/1972	Slavney	
4,808,968	A	2/1989	Caine	
D331,472	S *	12/1992	Campbell	D20/10
5,497,303	A	3/1996	Decinti et al.	
6,260,988	B1	7/2001	Misawa et al.	
6,520,669	B1	2/2003	Chen et al.	
6,709,137	B1	3/2004	Glovak et al.	
D499,198	S *	11/2004	Cowan	D26/31
D522,427	S *	6/2006	Beigel	D12/196

(Continued)

Primary Examiner — Darlington Ly

(74) *Attorney, Agent, or Firm* — Allen Dyer Doppelt & Gilchrist, PA

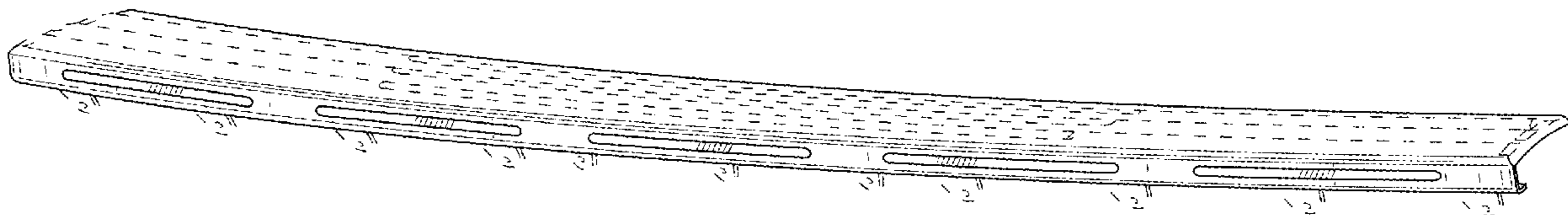
(57) **CLAIM**

The ornamental design for a lighted automobile bumper accessory, as shown and described.

DESCRIPTION

FIG. 1 is a top and right side perspective view of a lighted automobile bumper accessory showing my new design in accordance to a first embodiment;
FIG. 2 is a top and left side perspective view thereof;
FIG. 3 is a top plan view thereof;
FIG. 4 is a bottom plan view thereof;
FIG. 5 is a front elevation view thereof;
FIG. 6 is a rear elevation view thereof;
FIG. 7 is a left side elevation view thereof; and
FIG. 8 is a right side elevation view thereof.
FIG. 9 is a top and right side perspective view of a lighted automobile bumper accessory showing my new design in accordance to a second embodiment;
FIG. 10 is a top and left side perspective view thereof;
FIG. 11 is a top plan view thereof;
FIG. 12 is a bottom plan view thereof;
FIG. 13 is a front elevation view thereof;
FIG. 14 is a rear elevation view thereof;
FIG. 15 is a left side elevation view thereof; and
FIG. 16 is a right side elevation view thereof.
FIG. 17 is a top and right side perspective view of a lighted automobile bumper accessory showing my new design in accordance to a third embodiment;
FIG. 18 is a top and left side perspective view thereof;
FIG. 19 is a top plan view thereof;
FIG. 20 is a bottom plan view thereof;
FIG. 21 is a front elevation view thereof;
FIG. 22 is a rear elevation view thereof;
FIG. 23 is a left side elevation view thereof; and,
FIG. 24 is a right side elevation view thereof.
The broken lines in the drawings illustrate portions of the lighted automobile bumper accessory that form no part of the claimed design.

1 Claim, 9 Drawing Sheets



(56)

References Cited

U.S. PATENT DOCUMENTS

7,377,564 B1 5/2008 Baffy et al.
7,815,349 B2 10/2010 Yoshino
D656,258 S * 3/2012 Georgitsis B60Q 1/0483
D26/31
D744,405 S * 12/2015 Wolf D12/223
D757,316 S * 5/2016 Wymore D26/31
D784,114 S * 4/2017 Rago D8/354
D784,115 S * 4/2017 Rago D8/354
D840,573 S * 2/2019 Wymore D26/31
10,293,772 B2 * 5/2019 Ye B60R 19/50
2016/0082879 A1 3/2016 Kozole et al.
2016/0280168 A1 9/2016 Klop et al.

* cited by examiner

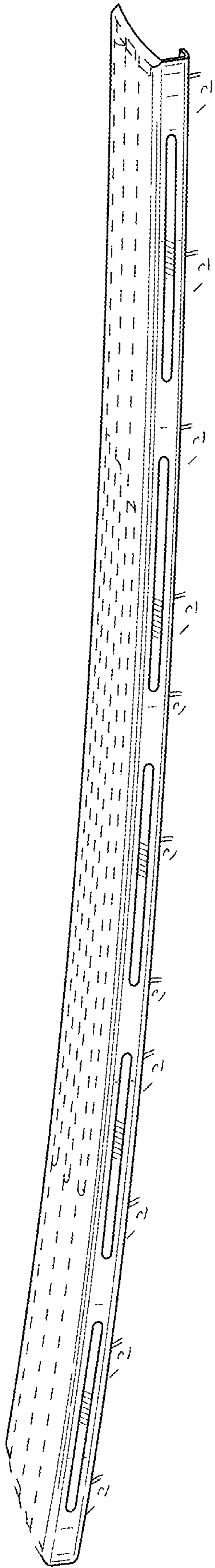


FIG. 1

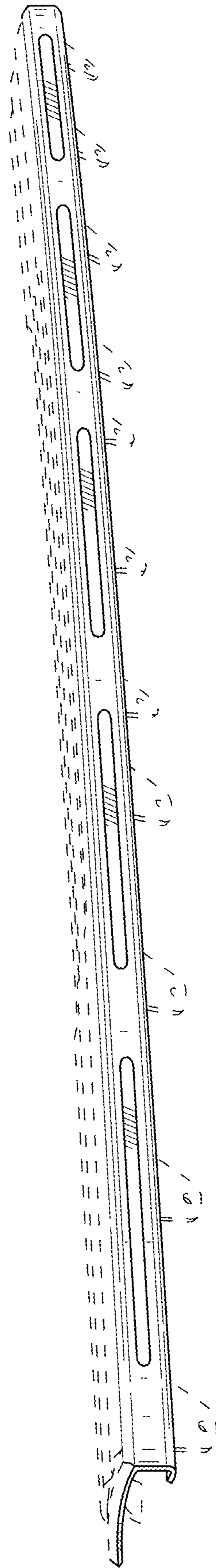


FIG. 2

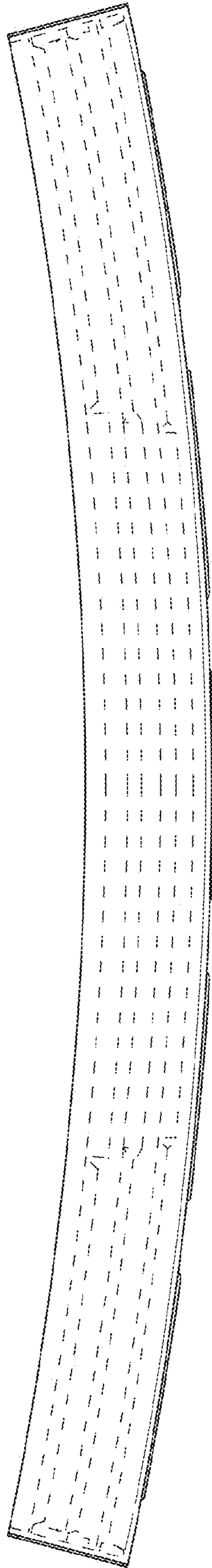


FIG. 3

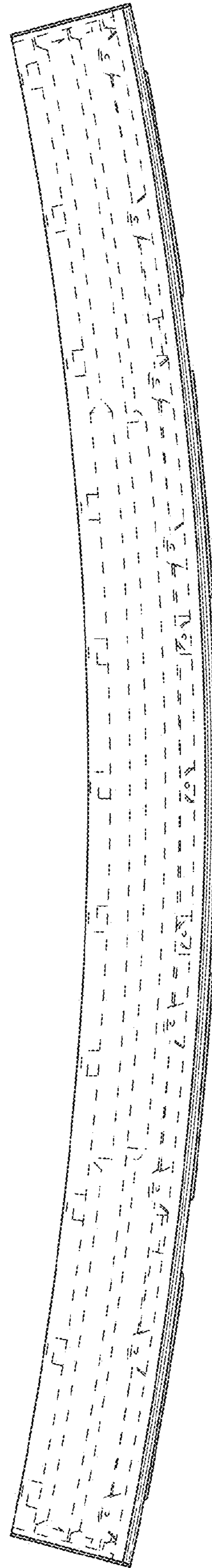


FIG. 4



FIG. 5



FIG. 6

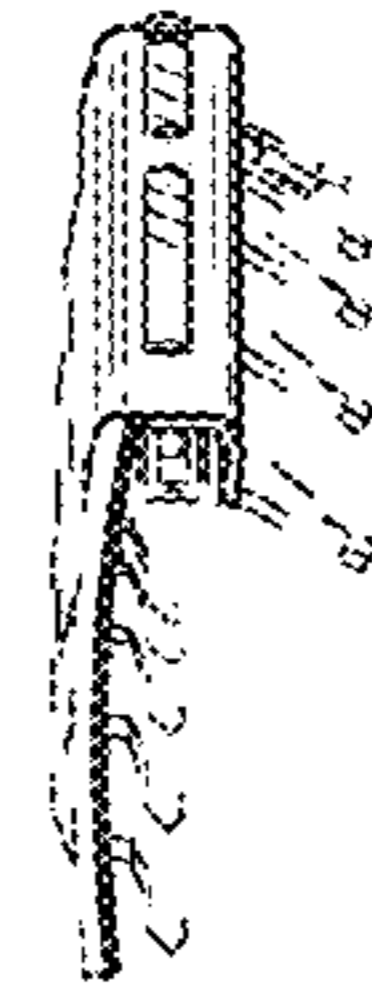


FIG. 7



FIG. 8

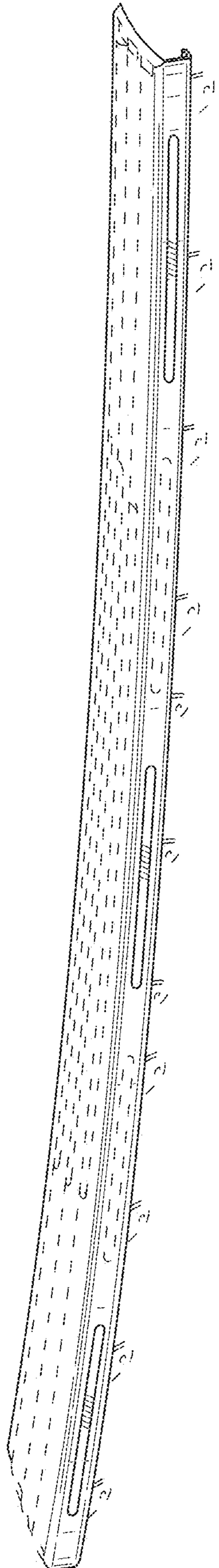


FIG. 9

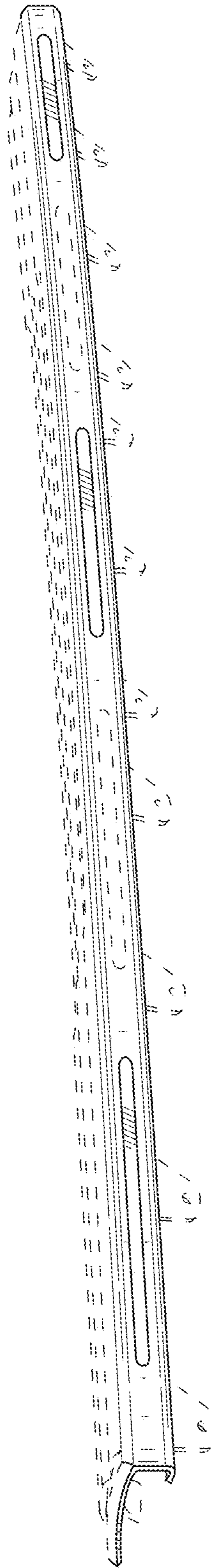


FIG. 10

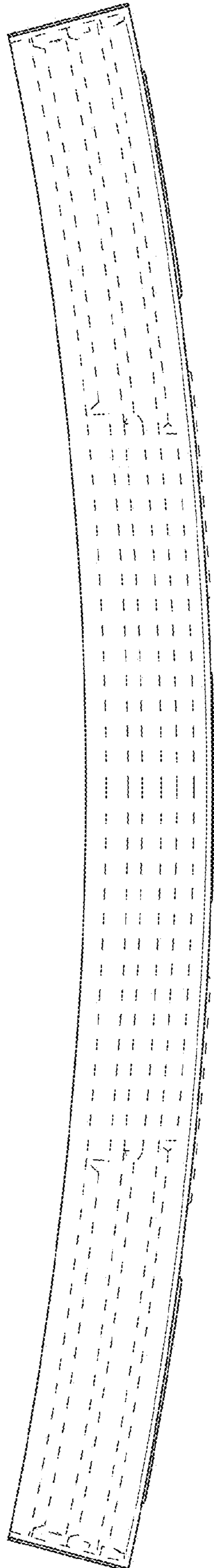


FIG. 11

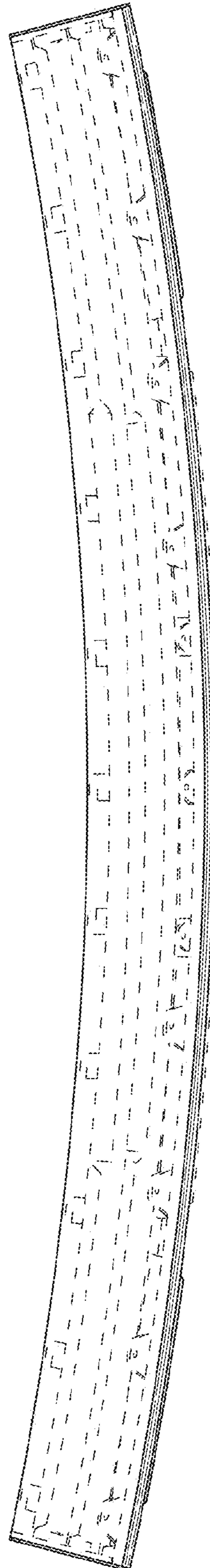


FIG. 12



FIG. 13

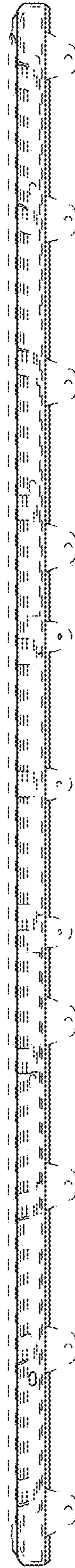


FIG. 14



FIG. 15



FIG. 16

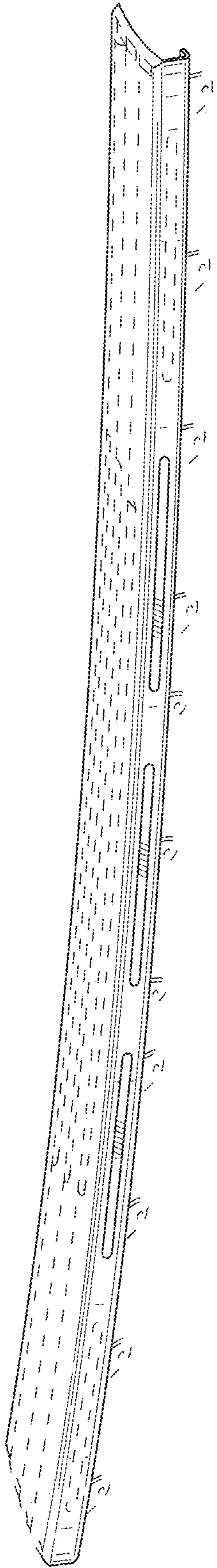


FIG. 17

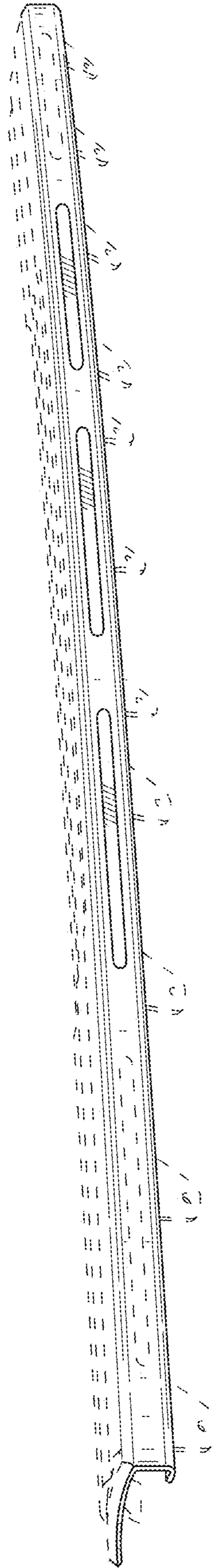


FIG. 18

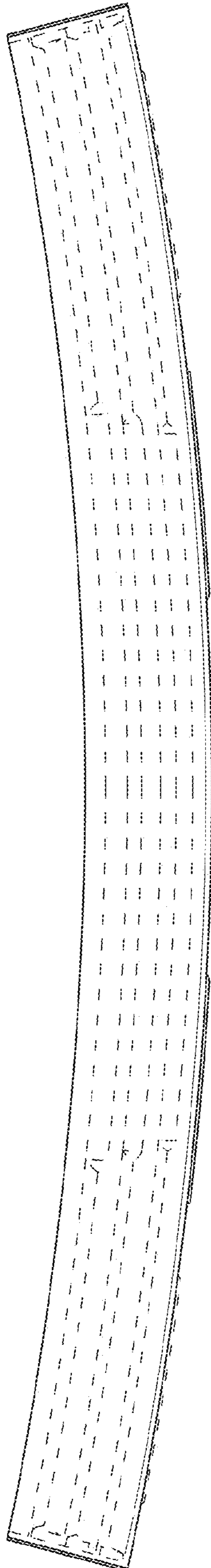


FIG. 19

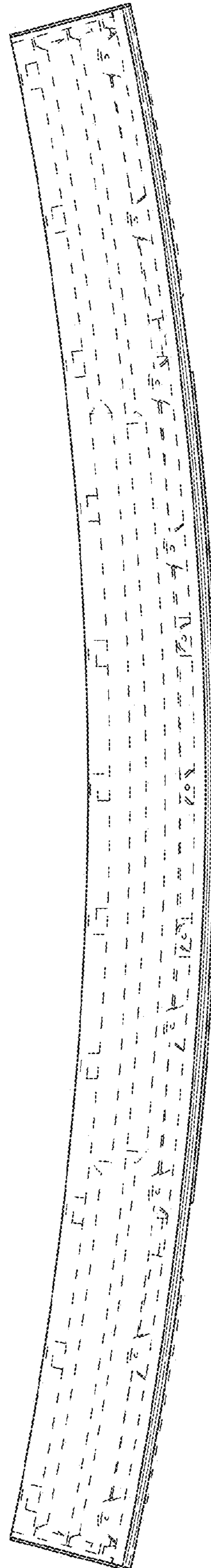


FIG. 20

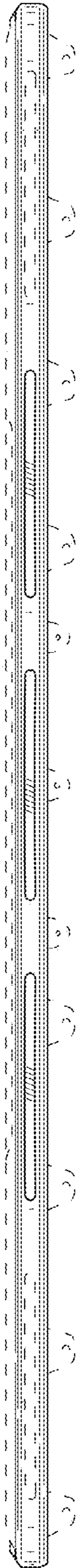


FIG. 21

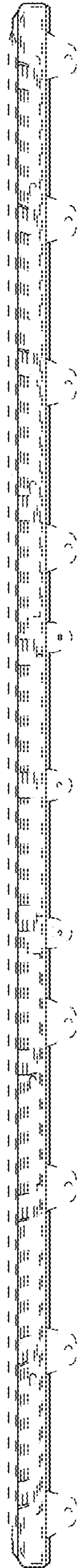


FIG. 22



FIG. 23



FIG. 24