



US00D877667S

(12) **United States Design Patent**
Doveri

(10) **Patent No.:** **US D877,667 S**
(45) **Date of Patent:** **** Mar. 10, 2020**

(54) **SIDE GRATED GUARD OF A MOTOR SCOOTER**

(71) Applicant: **PIAGGIO & C. S.P.A.**, Pontedera (IT)

(72) Inventor: **Stefano Doveri**, Pontedera Pi (IT)

(73) Assignee: **PIAGGIO & C. S.P.A.**, Pontedera (PI)
(IT)

(**) Term: **15 Years**

(21) Appl. No.: **35/504,477**

(22) Filed: **May 3, 2017**

(80) **Hague Agreement Data**

Int. Filing Date: **May 3, 2017**

Int. Reg. No.: **DM/099739**

Int. Reg. Date: **May 3, 2017**

Int. Reg. Pub. Date: **Feb. 23, 2018**

(30) **Foreign Application Priority Data**

Nov. 4, 2016 (EM) 003447457

(51) **LOC (12) Cl.** **12-16**

(52) **U.S. Cl.**
USPC **D12/163**

(58) **Field of Classification Search**

USPC D12/110, 114, 126, 182, 184, 186
CPC ... B62J 17/00; B62J 17/02; B62J 17/04; B62J
23/00; B62K 11/00; B62K 11/02; B62K
11/04

See application file for complete search history.

(56) **References Cited**

U.S. PATENT DOCUMENTS

D540,228 S *	4/2007	Lai	D12/190
D678,133 S *	3/2013	Behmer	D12/163
D716,704 S *	11/2014	Schanz	D12/126
D717,215 S *	11/2014	Johnson	D12/126
D753,026 S *	4/2016	Schanz	D12/126
D818,894 S *	5/2018	Waterhouse	D12/163
D819,515 S *	6/2018	Anderson	D12/163
D826,798 S *	8/2018	Behmer	D12/163
D830,239 S *	10/2018	Behmer	D12/163

* cited by examiner

Primary Examiner — Darlington Ly

(74) *Attorney, Agent, or Firm* — Volpe and Koenig, P.C.

(57) **CLAIM**

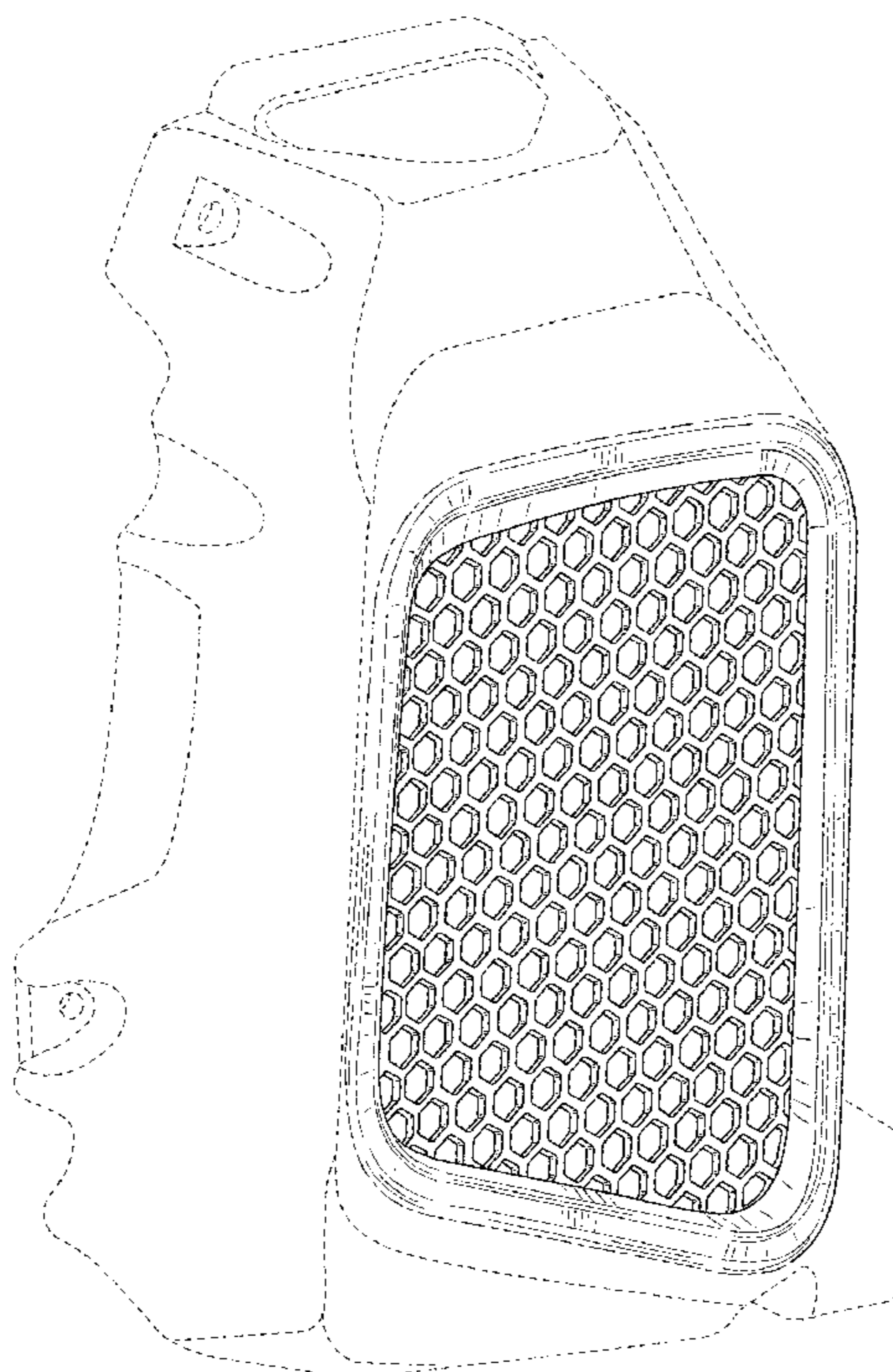
The ornamental design for a side grated guard of a motor scooter, as shown and described.

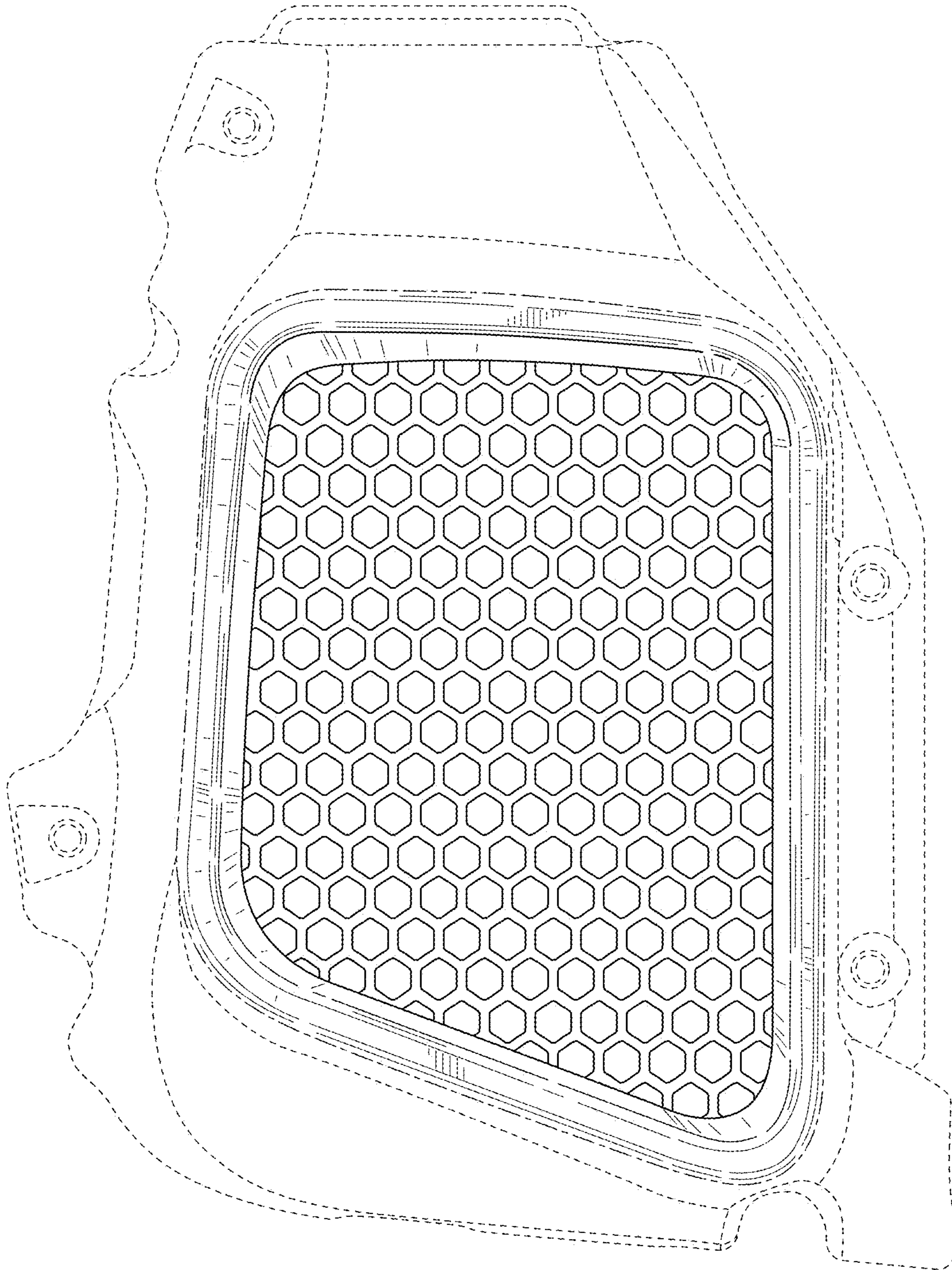
DESCRIPTION

1. Side grated guard of a motor scooter

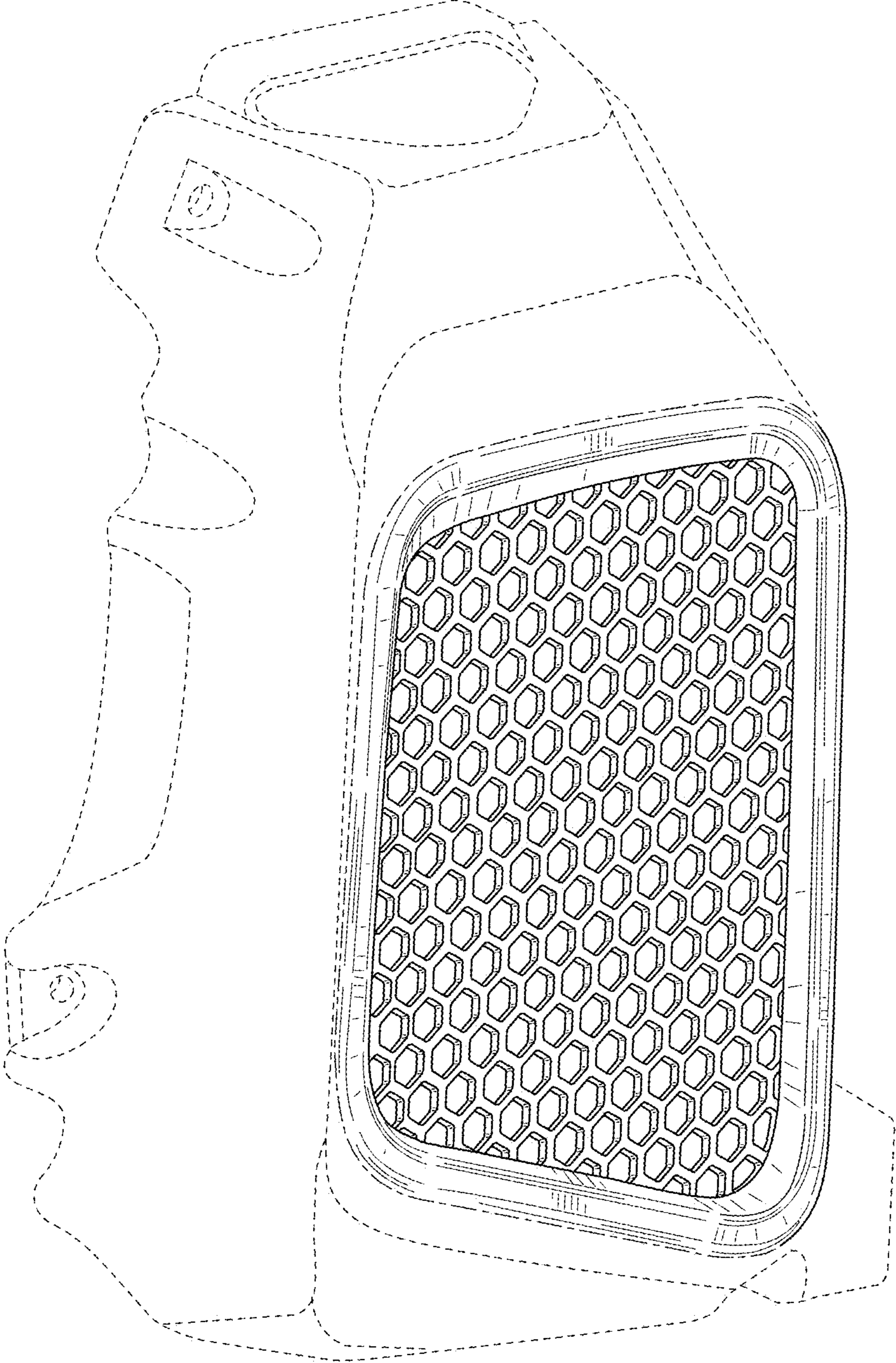
1.-1.6 Motor scooter **1.1** is an elevation view of a side grated guard of a motor scooter, showing my new design; **1.2** is a front perspective view thereof; **1.3** is a front elevation view thereof when installed on an exemplary motor scooter; **1.4** is a top perspective view thereof when installed on an exemplary motor scooter; **1.5** is a side view thereof; and **1.6** is a top view thereof. The broken line showing part of the guard and motor scooter are provided for the purpose of illustrating environmental structure and form no part of the claimed design.

1 Claim, 6 Drawing Sheets



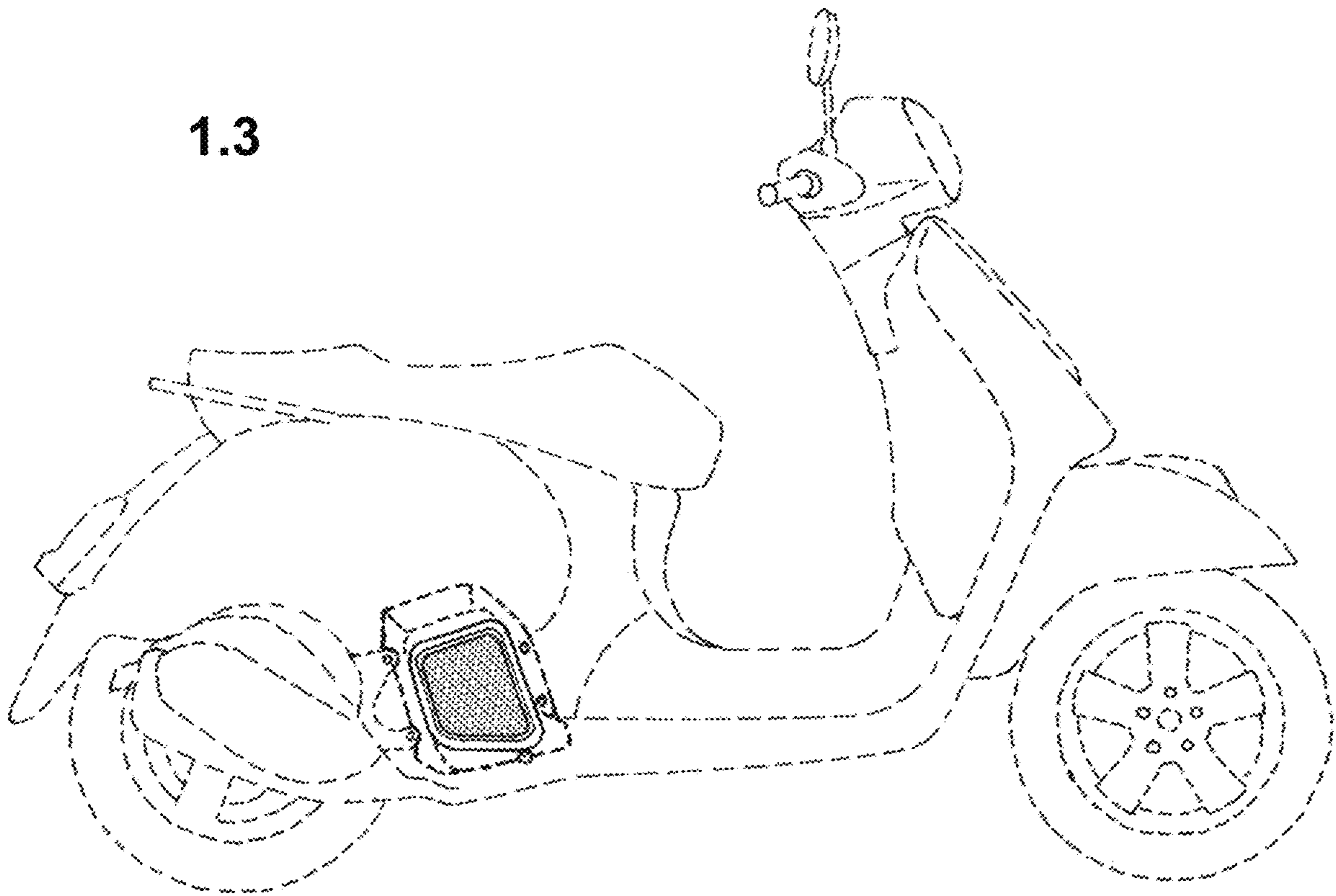


1.1

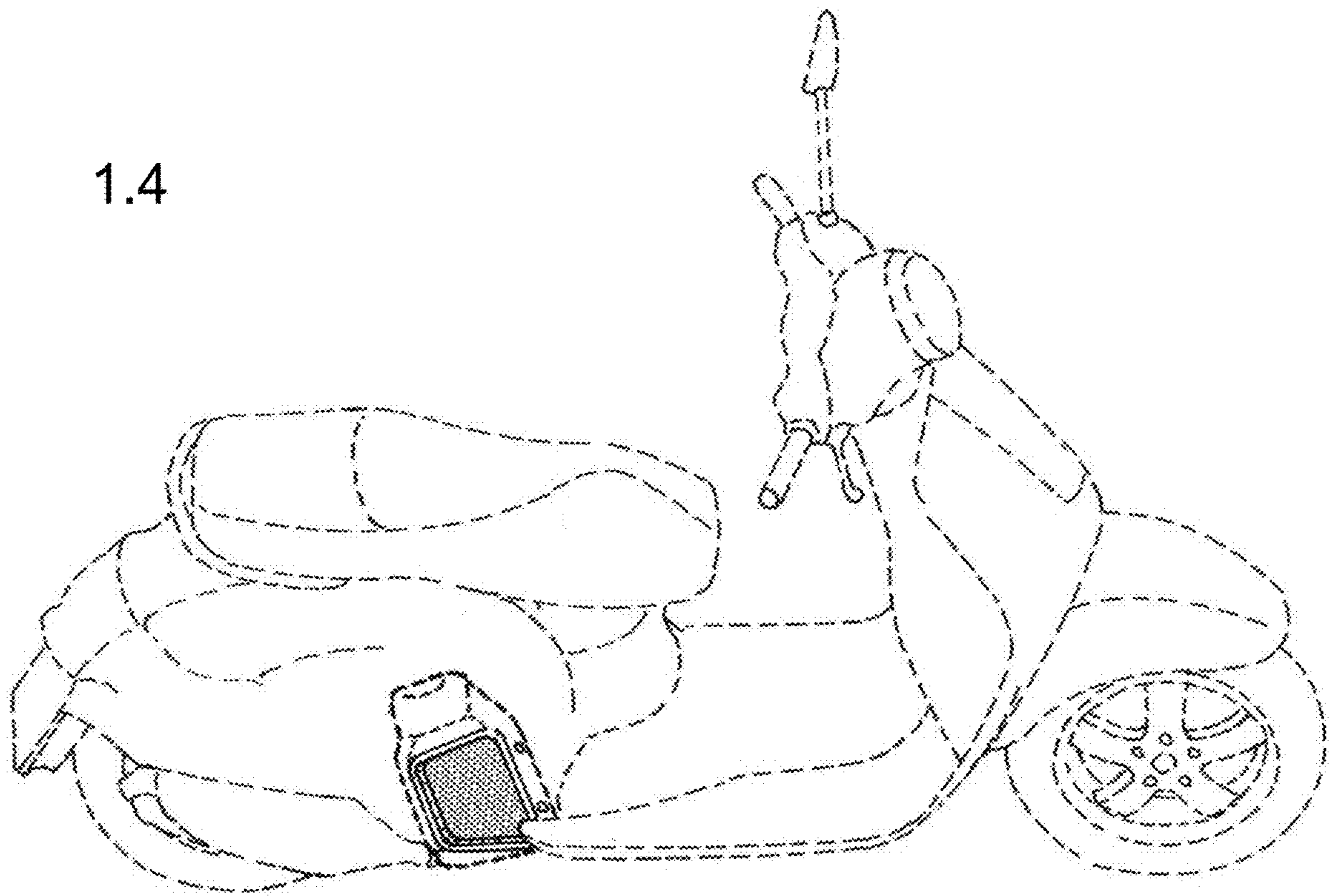


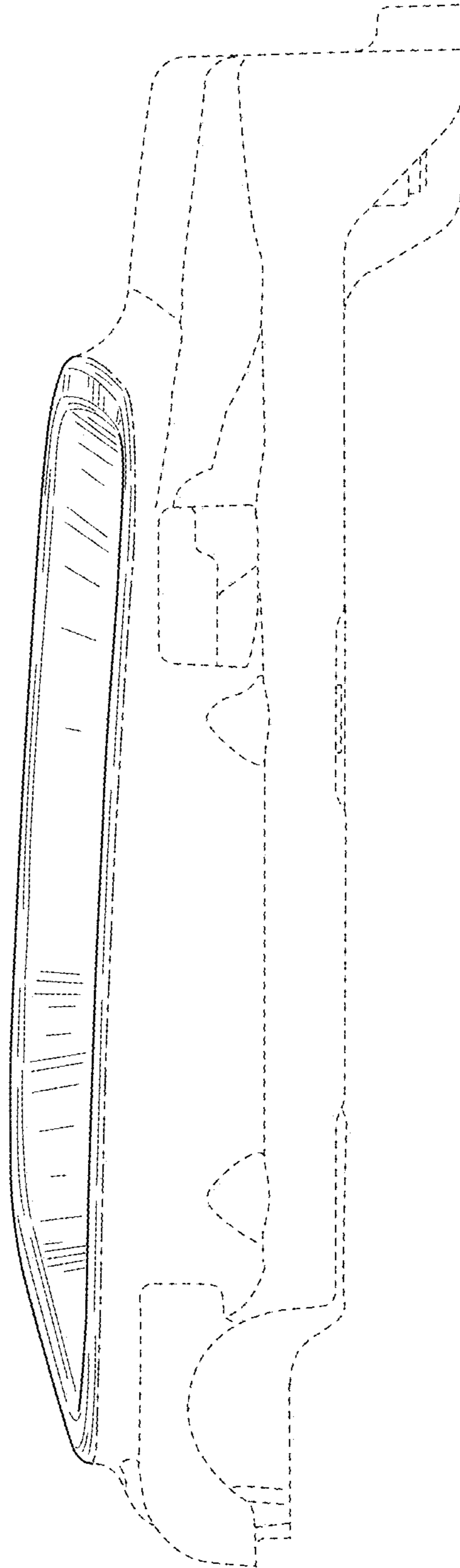
1.2

1.3

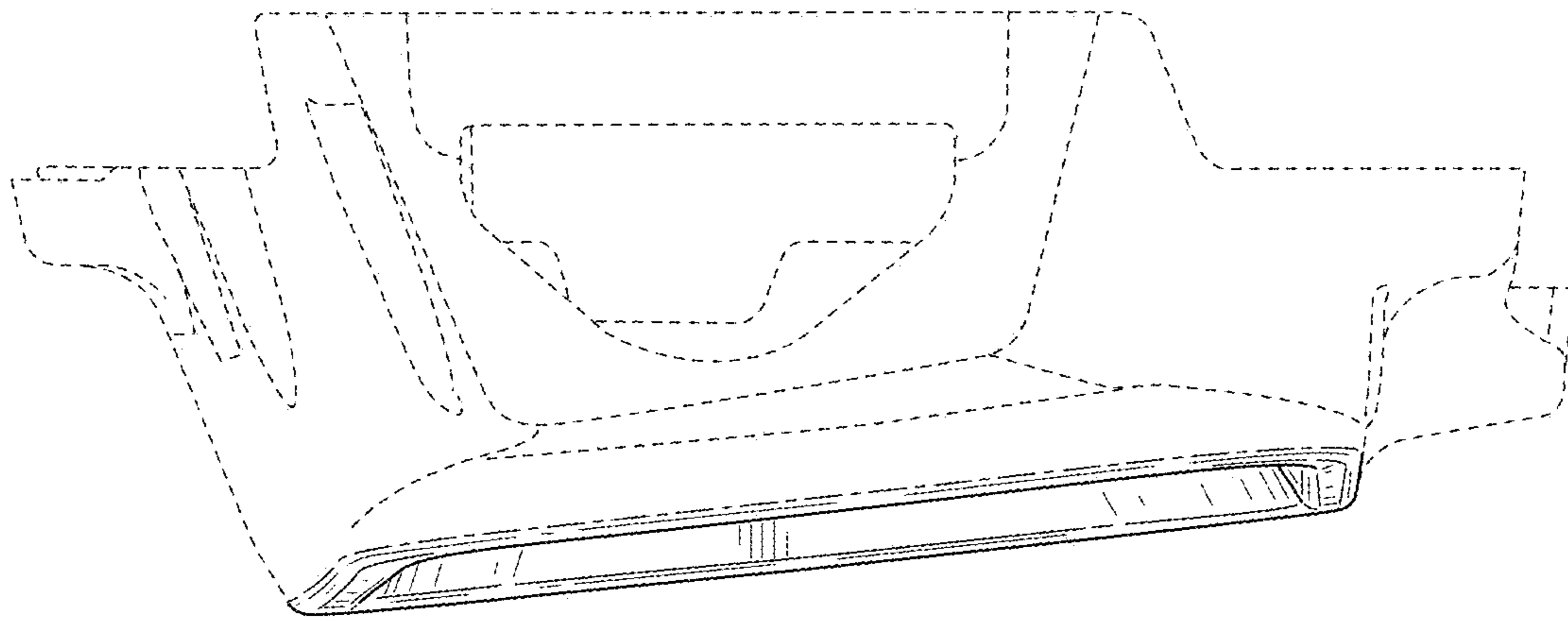


1.4





1.5



1.6