



US00D877664S

(12) **United States Design Patent**
Brockway et al.

(10) **Patent No.:** **US D877,664 S**
(45) **Date of Patent:** **** Mar. 10, 2020**

(54) **DUAL RECEPTACLE CARRIER**
(71) Applicant: **Medline Industries, Inc.**, Northfield, IL (US)
(72) Inventors: **Todd Brockway**, Vernon Hills, IL (US); **Emily Berman**, Park Ridge, IL (US); **Caren Wax**, Deerfield, IL (US); **Tambra Martin**, Trevor, WI (US); **William Elliott Brooks**, Chicago, IL (US); **Robert W. Sheldon**, Winnetka, IL (US); **Gregory J. Foster**, Chicago, IL (US)

D473,947 S 4/2003 Jacobson
D516,393 S 3/2006 Wickenhauser
7,017,243 B2 3/2006 Carnevali
7,077,302 B2 7/2006 Chuang
7,090,183 B2* 8/2006 Heybl A47G 23/0225
224/567

D578,651 S 10/2008 Dunshee
D607,112 S 12/2009 Rogers
D607,113 S 12/2009 Rogers
D612,060 S 3/2010 Smith
D673,816 S* 1/2013 Phillips D7/620
D679,146 S* 4/2013 Rincon D7/620
(Continued)

(73) Assignee: **Medline Industries, Inc.**, Northfield, IL (US)

(**) Term: **15 Years**

(21) Appl. No.: **29/612,028**

(22) Filed: **Jul. 27, 2017**

(51) **LOC (12) Cl.** **12-12**

(52) **U.S. Cl.**
USPC **D12/133**

(58) **Field of Classification Search**
USPC D12/128-133
CPC B62B 7/00-04; B62B 9/00-28
See application file for complete search history.

(56) **References Cited**

U.S. PATENT DOCUMENTS

3,734,439 A* 5/1973 Wintz A47G 23/0241
131/241
4,535,923 A* 8/1985 Manke B60N 3/103
224/272
5,745,565 A 4/1998 Wakefield
5,996,957 A* 12/1999 Kurtz A47G 23/0225
248/231.21
6,390,427 B1* 5/2002 McConnell B60N 3/103
248/228.3

OTHER PUBLICATIONS

Medline Industries, Inc., "Optifoam Gentle Sacrum," Application Instructions, 2017.

(Continued)

Primary Examiner — Charles D Hanson

(74) *Attorney, Agent, or Firm* — Fitch, Even, Tabin & Flannery LLP

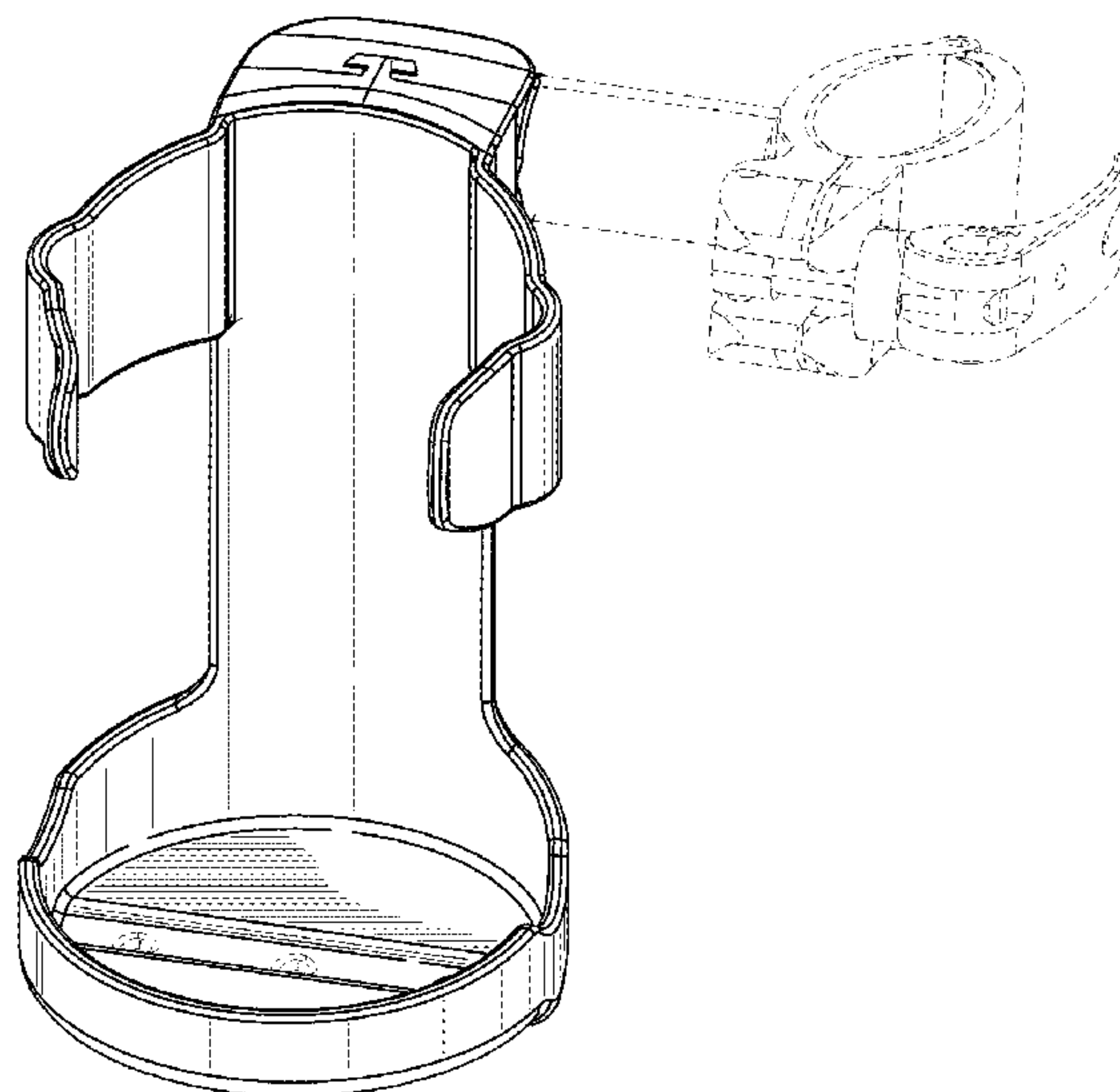
(57) **CLAIM**

The ornamental design for a dual receptacle carrier, as shown and described.

DESCRIPTION

FIG. 1 is a front perspective view of a dual receptacle carrier showing our new design;
FIG. 2 is a top plan view thereof;
FIG. 3 is a front elevation view thereof;
FIG. 4 is a right side elevation view thereof;
FIG. 5 is a rear elevation view thereof;
FIG. 6 is a left side elevation view thereof; and,
FIG. 7 is a bottom plan view thereof.
The broken lines in FIGS. 1-7 depict unclaimed portions of the dual receptacle carrier and form no part of the claimed design.

1 Claim, 5 Drawing Sheets



(56)

References Cited

U.S. PATENT DOCUMENTS

8,500,076 B2 * 8/2013 Lai A47G 23/0225
224/148.5
8,651,350 B2 2/2014 Onogi
8,919,622 B1 * 12/2014 Gabriel A45F 5/02
224/148.4
9,399,479 B1 * 7/2016 Chen B62B 9/00
D771,525 S * 11/2016 Kim D12/133
D773,059 S 11/2016 Gutierrez
D773,060 S 11/2016 Narvekar
D774,200 S 12/2016 Gutierrez
D774,201 S 12/2016 Gutierrez
9,944,209 B1 4/2018 Carnevali
9,950,731 B2 * 4/2018 Kim B62B 9/26
2014/0284443 A1 * 9/2014 Forbes G09F 21/04
248/313
2015/0001359 A1 1/2015 Catchings
2018/0099713 A1 4/2018 Oste

OTHER PUBLICATIONS

Medline Industries, Inc., "Optifoam Gentle," 2016.
Medline Industries, Inc., "Optifoam Gentle AG+," 2012.
3M Critical & Chronic Care Solutions Division and 3M Health
Care, "Tegaderm Absorbent Clear Acrylic Dressing," 2015.

* cited by examiner

FIG. 1

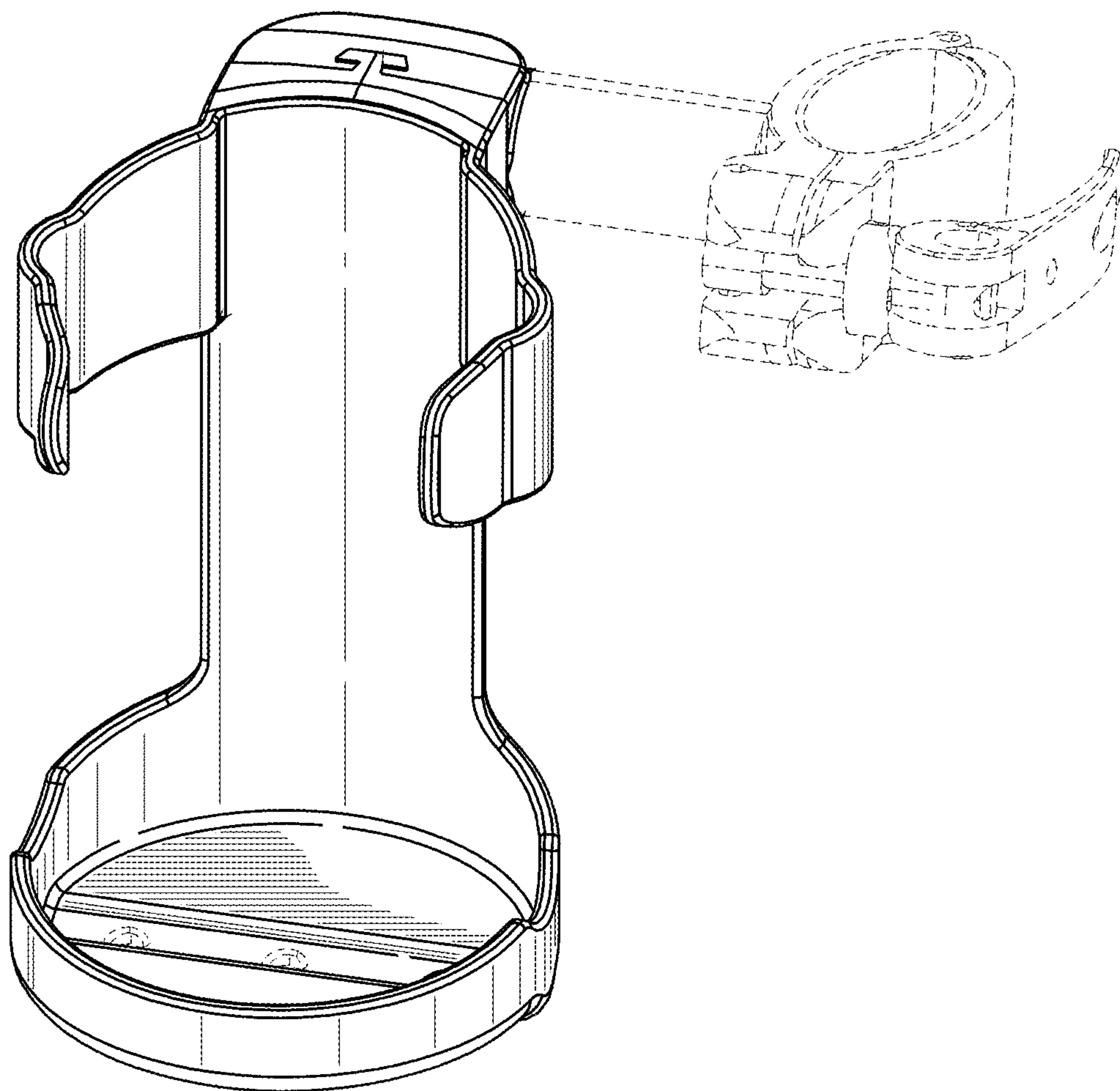


FIG. 2

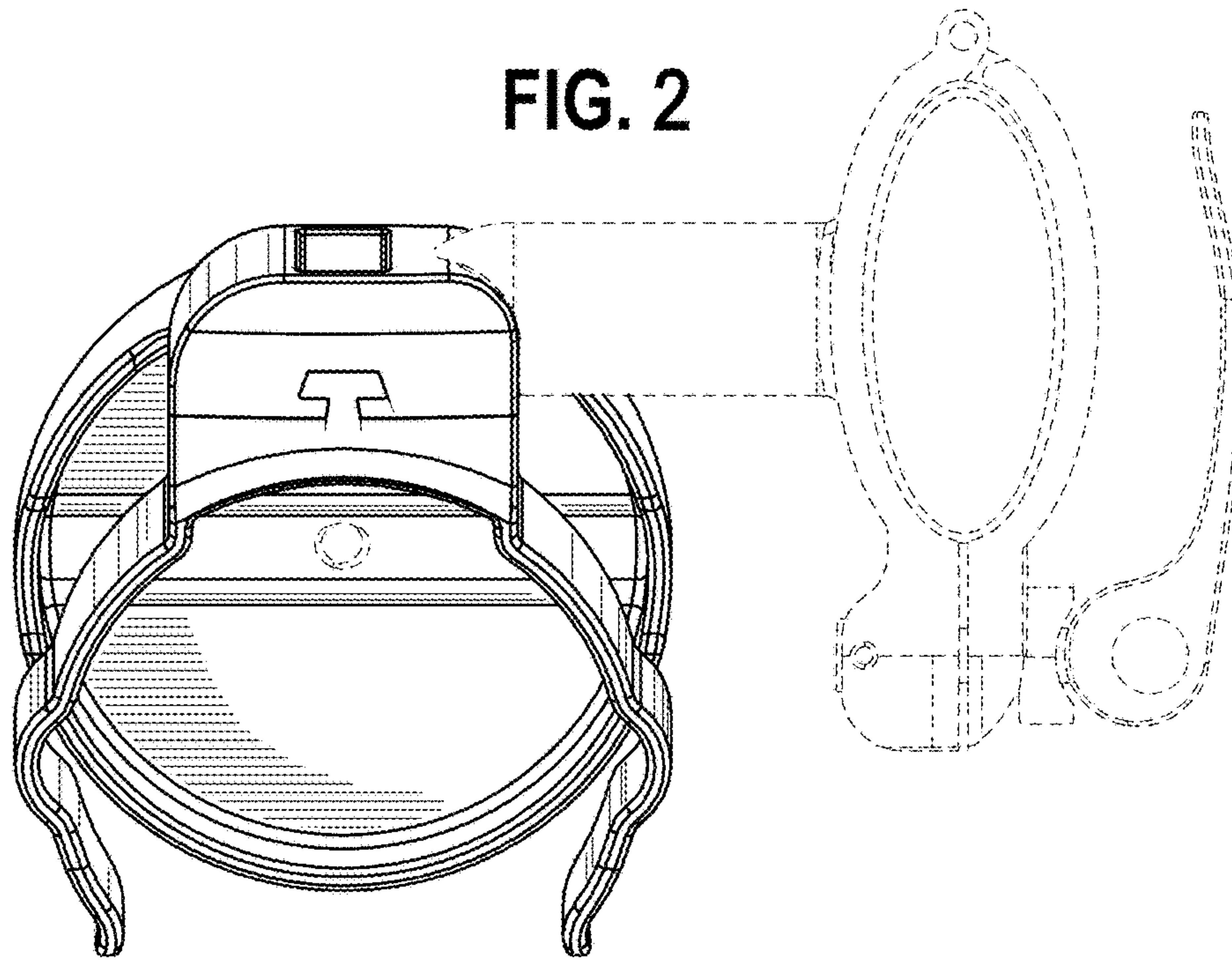


FIG. 3

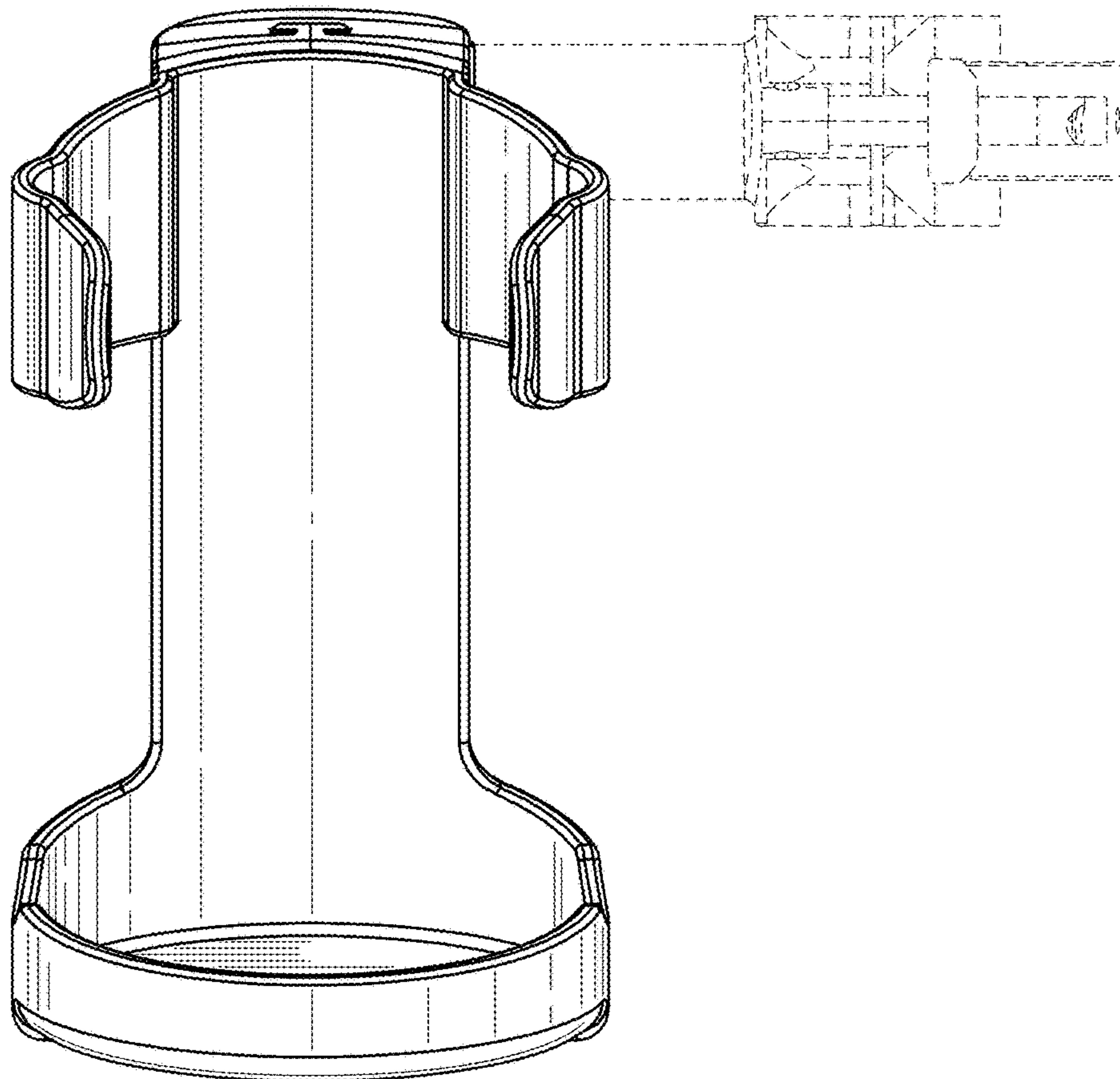


FIG. 4

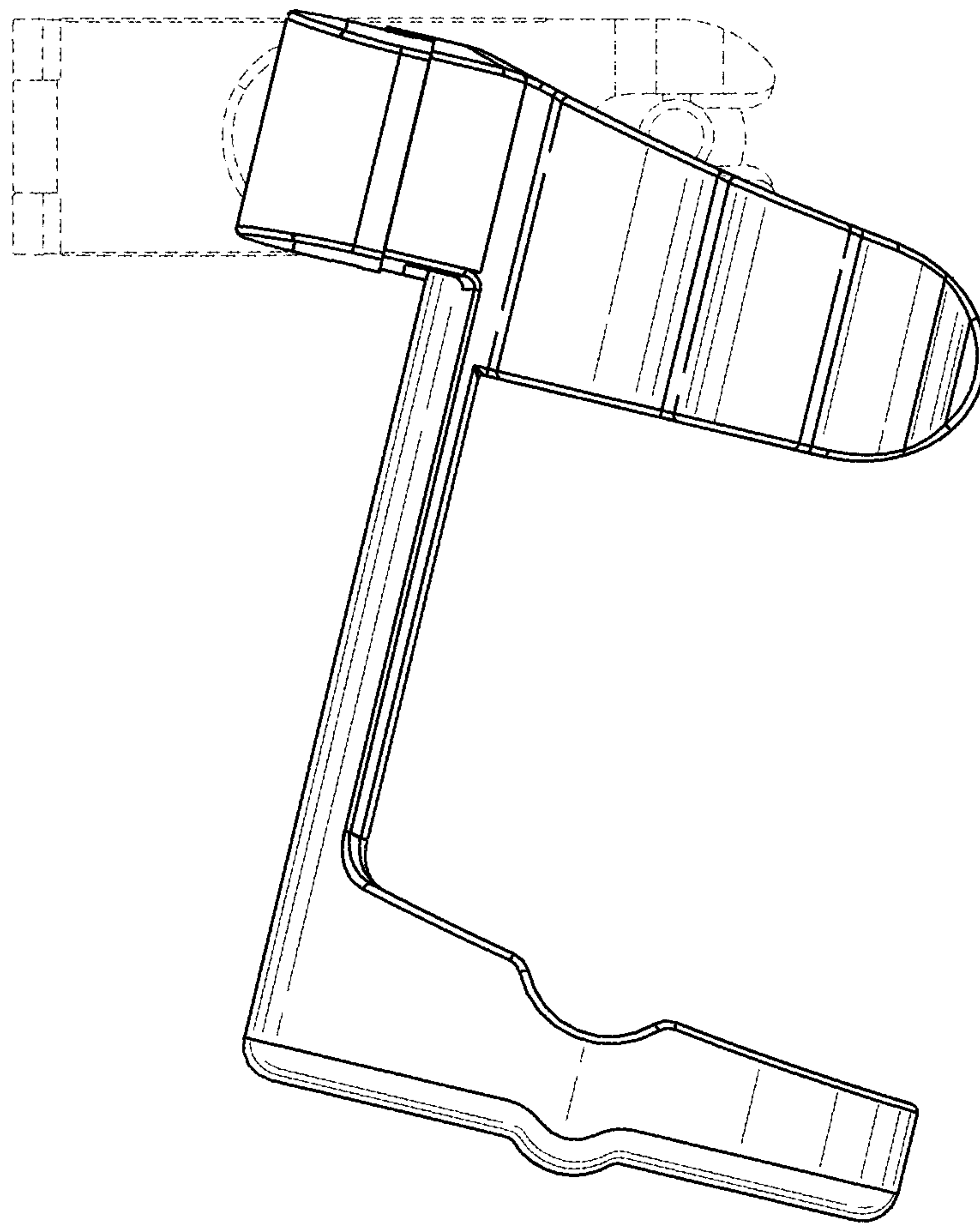


FIG. 5

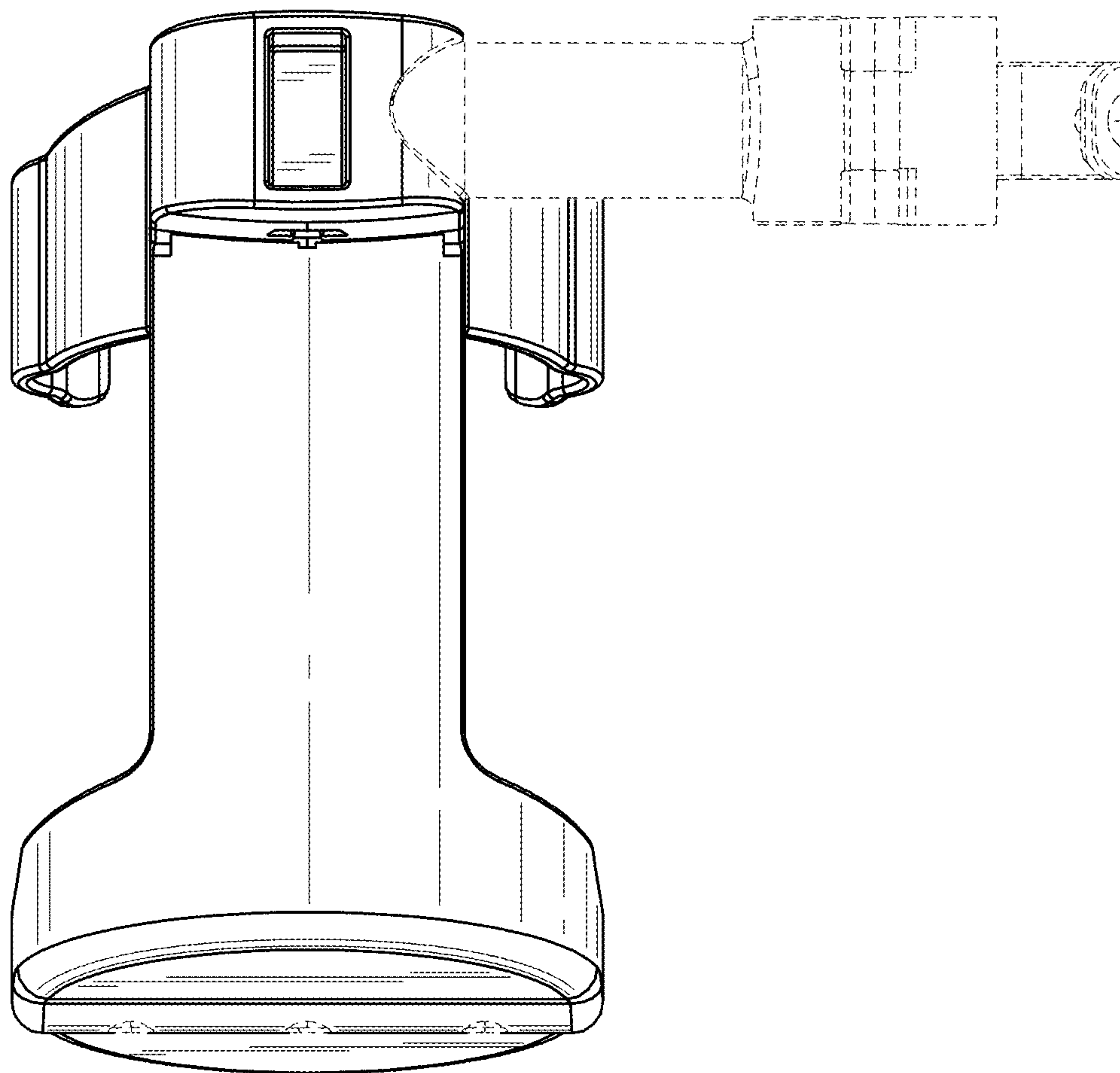


FIG. 6

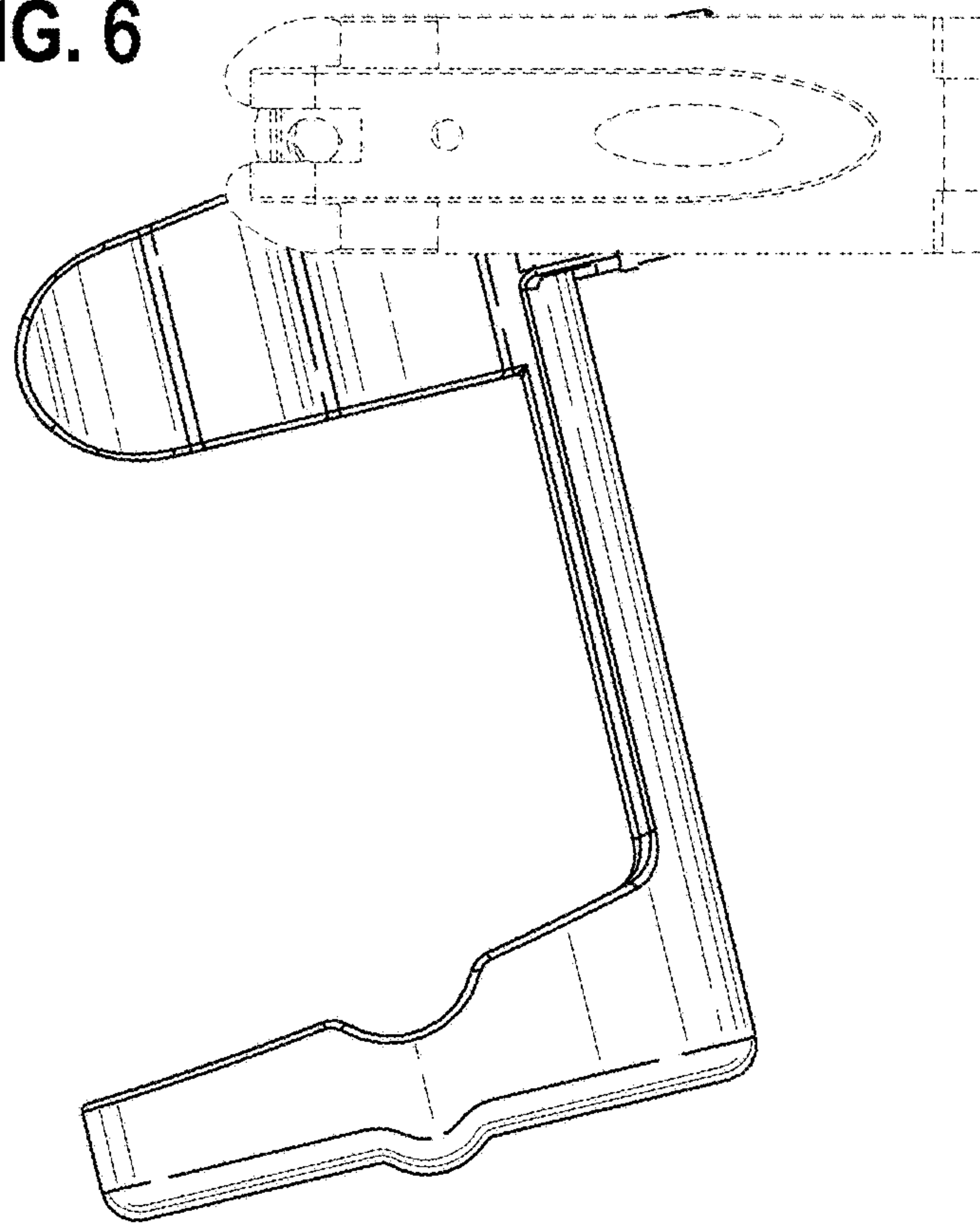


FIG. 7

