



US00D877658S

(12) **United States Design Patent**  
**Burki**

(10) **Patent No.:** **US D877,658 S**  
(45) **Date of Patent:** **\*\* Mar. 10, 2020**

(54) **MOTOR VEHICLE, TOY AND/OR REPLICA**

(71) Applicant: **Dr. Ing. h.c. F. Porsche**  
**Aktiengesellschaft, Stuttgart (DE)**

(72) Inventor: **Emiel Burki, Stuttgart (DE)**

(73) Assignee: **Dr. Ing. h.c. F. Porsche**  
**Aktiengesellschaft (DE)**

(\*\*) Term: **15 Years**

(21) Appl. No.: **29/653,657**

(22) Filed: **Jun. 18, 2018**

(30) **Foreign Application Priority Data**

Dec. 19, 2017 (DE) ..... 40 2017 101 383

(51) **LOC (12) Cl.** ..... **12-08**

(52) **U.S. Cl.**  
USPC ..... **D12/91**

(58) **Field of Classification Search**  
USPC .... D12/86, 90-92; D21/424, 433, 434, 533;  
296/181.1-181.5, 183.1  
CPC ..... B62D 25/00; B62D 25/06; B62D 33/00;  
B62D 35/00  
See application file for complete search history.

(56) **References Cited**

**U.S. PATENT DOCUMENTS**

D574,754 S \* 8/2008 Miniati ..... D12/92  
D797,606 S \* 9/2017 Oh ..... D12/92

D808,302 S \* 1/2018 Oh ..... D12/92  
D821,923 S \* 7/2018 Lee ..... D12/92  
D826,781 S \* 8/2018 Scheinhutte ..... D12/91  
D836,031 S \* 12/2018 Lim ..... D12/92  
D855,497 S \* 8/2019 Kim ..... D12/91  
D857,556 S \* 8/2019 Scheinhutte ..... D12/91  
D858,354 S \* 9/2019 Scheinhutte ..... D12/91  
D858,355 S \* 9/2019 Scheinhutte ..... D12/91

\* cited by examiner

*Primary Examiner* — Melody N Brown

(74) *Attorney, Agent, or Firm* — RatnerPrestia

(57) **CLAIM**

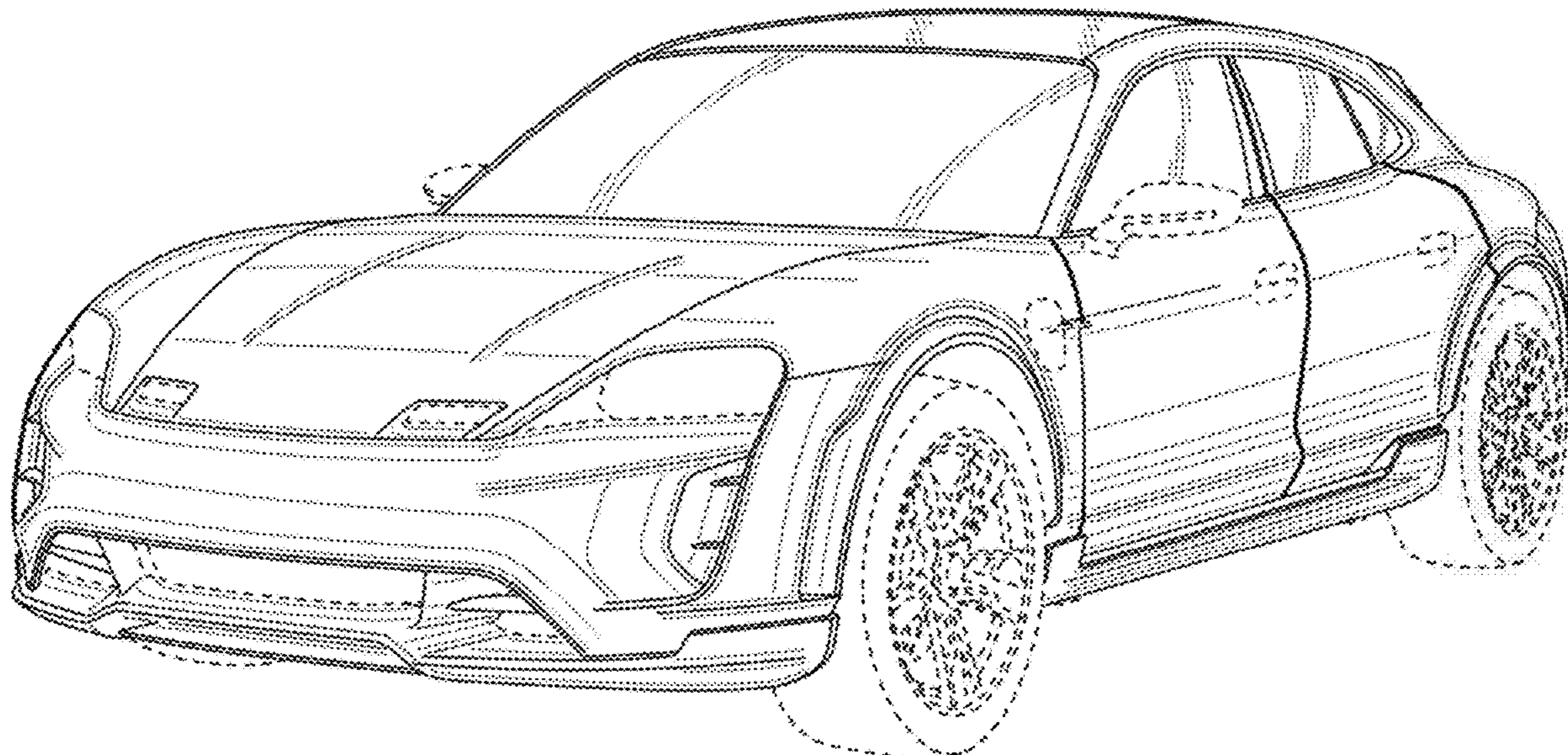
The ornamental design for a motor vehicle, toy and/or replica, as shown and described.

**DESCRIPTION**

FIG. 1 is a front perspective view of a motor vehicle, toy and/or replica;  
FIG. 2 is a rear perspective view thereof;  
FIG. 3 is a front elevation view thereof;  
FIG. 4 is a rear elevation view thereof;  
FIG. 5 is an elevation view thereof taken from the right side, the left side being a substantial mirror image thereof; and,  
FIG. 6 is a top plan view thereof.

The broken line showing of the motor vehicle, toy and/or replica is for the purpose of illustrating portions of the motor vehicle, toy and/or replica and forms no part of the claimed design.

**1 Claim, 6 Drawing Sheets**



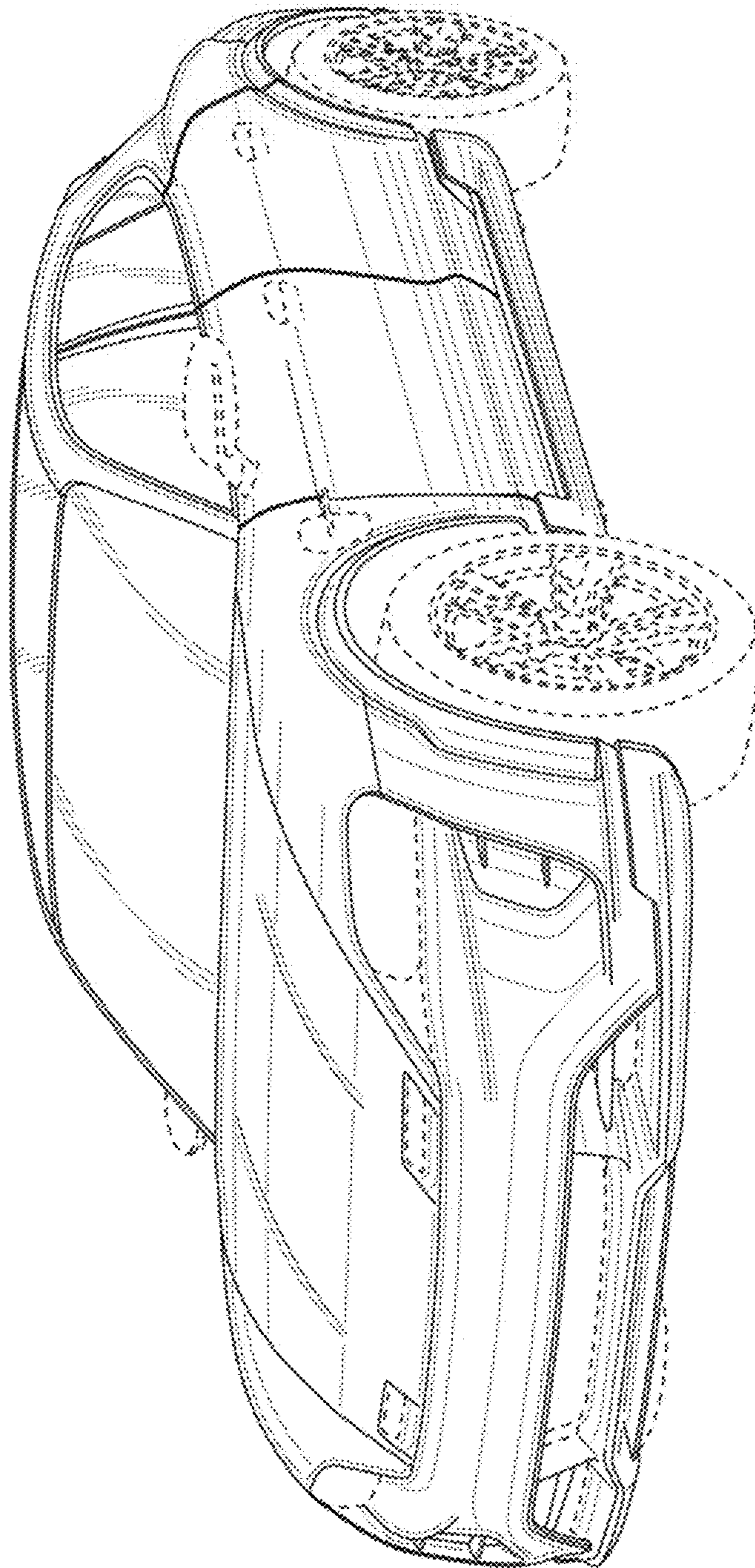


FIG. 1

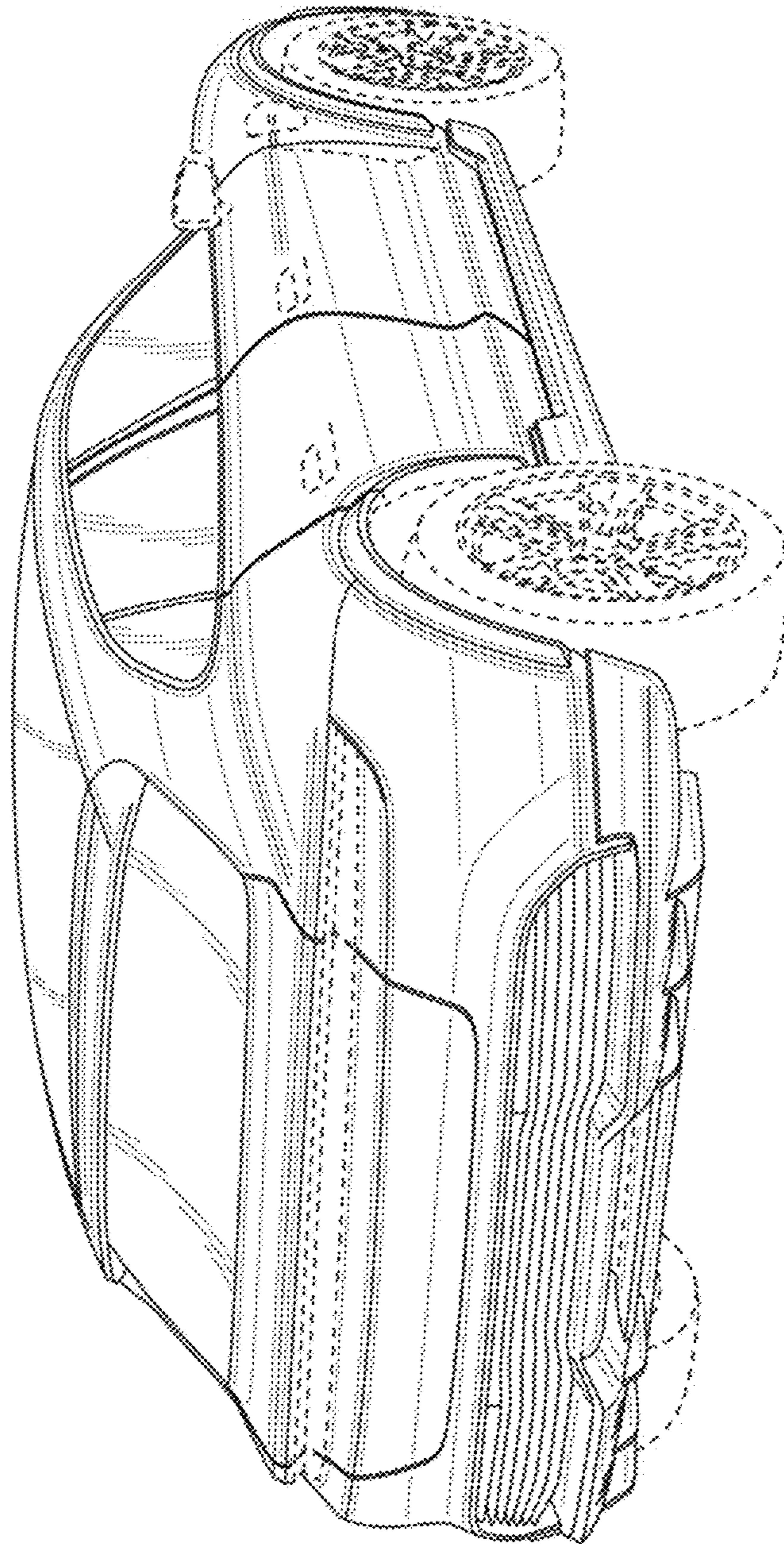


FIG. 2

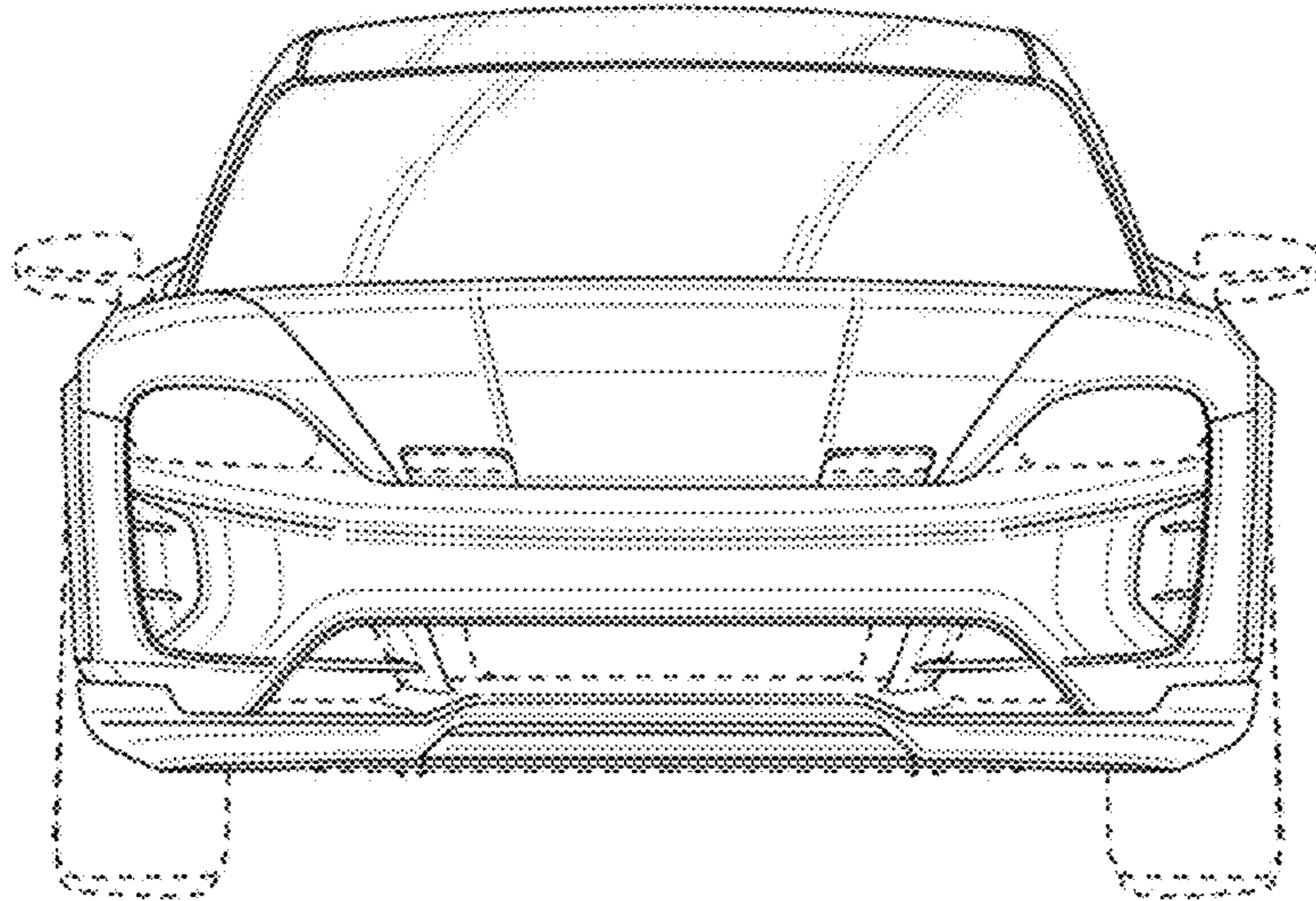


FIG. 3

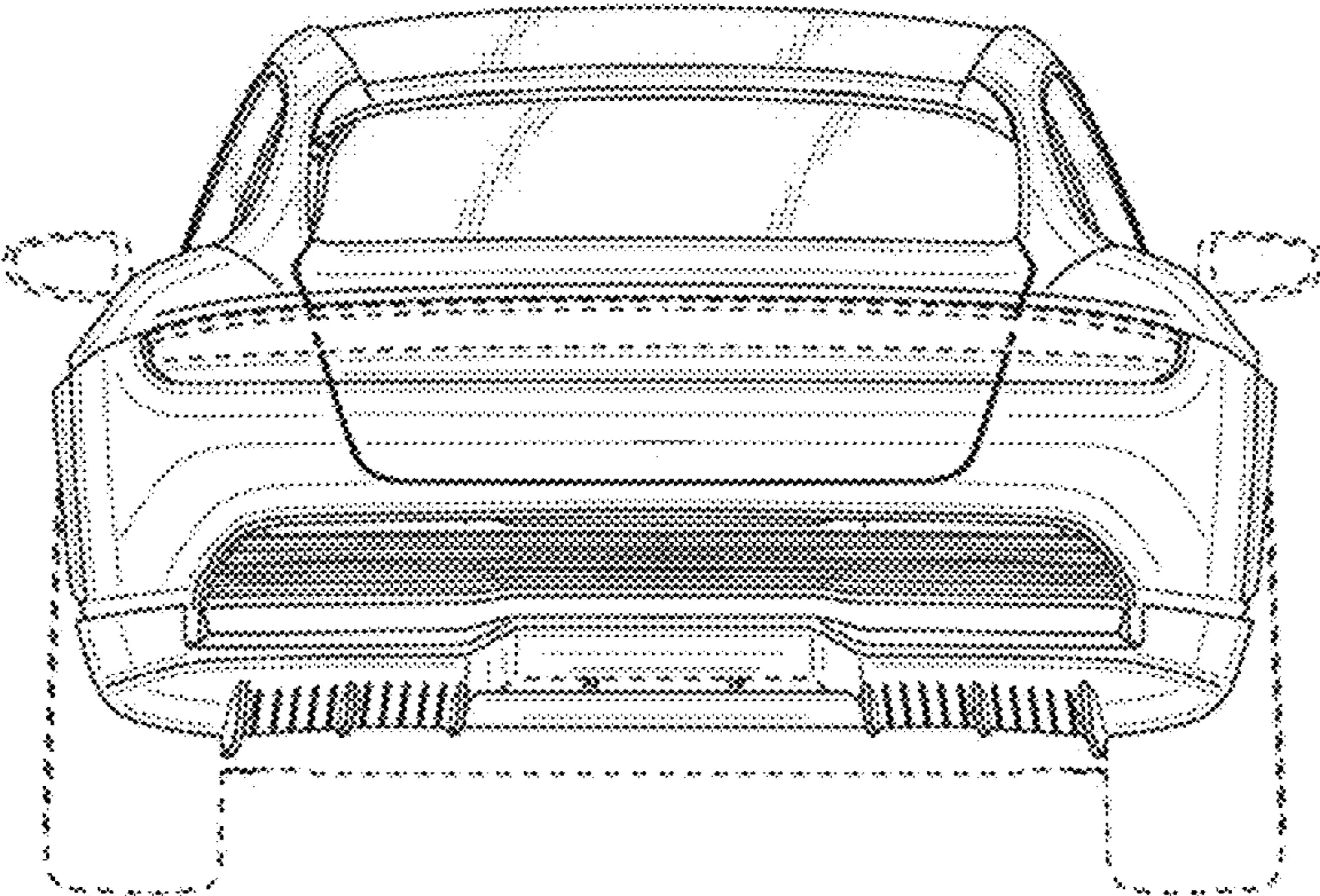


FIG. 4

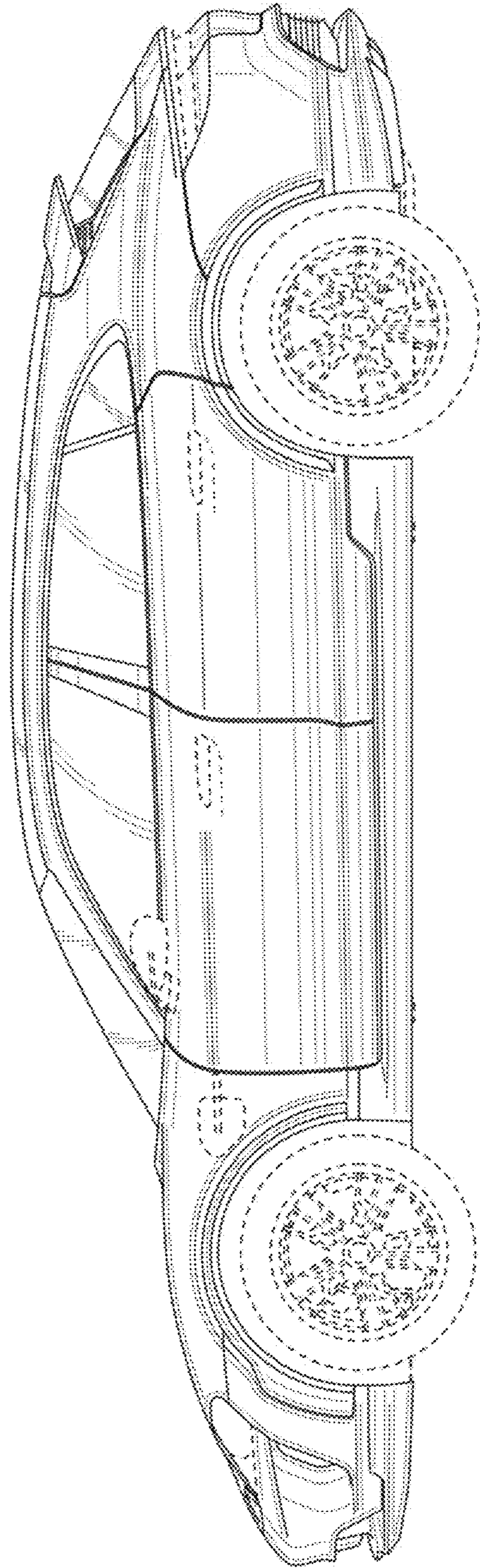


FIG. 5

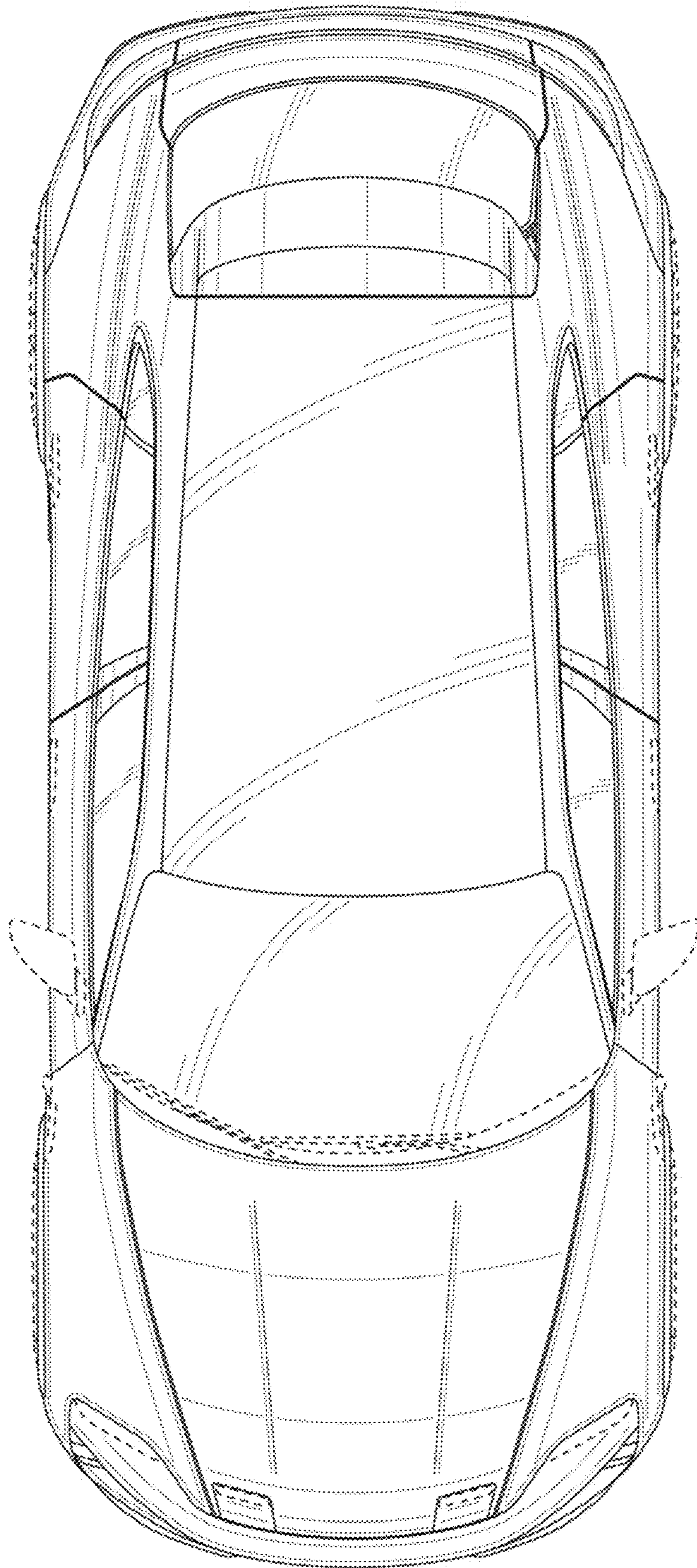


FIG. 6