



US00D877657S

(12) **United States Design Patent** (10) **Patent No.:** **US D877,657 S**
Dixon (45) **Date of Patent:** **** Mar. 10, 2020**

- (54) **BELT BUCKLE**
- (71) Applicant: **Devon Dixon**, Brooklyn, NY (US)
- (72) Inventor: **Devon Dixon**, Brooklyn, NY (US)
- (**) Term: **15 Years**
- (21) Appl. No.: **29/654,097**
- (22) Filed: **Jun. 21, 2018**
- (51) **LOC (12) Cl.** **02-07**
- (52) **U.S. Cl.**
USPC **D11/231**
- (58) **Field of Classification Search**
USPC D11/95–100, 105, 106, 108, 110, 116,
D11/132, 200, 222, 226, 228–241;
D14/344, 485, 486; D2/627, 828, 829;
D8/387; D99/27, 34
CPC A44C 7/00; A44C 7/002; H01H 13/70;
Y10S 273/30; A44B 1/14; A44B 1/02;
A44B 1/20; A44B 1/00
See application file for complete search history.

DSquared2 DD Buckle Belt [Jun. 25, 2019] found online [Jun. 25, 2019]—https://www.dsquared2.com/us/belt_cod46603280qn.html.*

(Article) Stan Lee’s 25 Greatest Comic Book Creations [Aug. 21, 2012] reference (#9) found online [Jun. 25, 2019]—<https://www.complex.com/pop-culture/2012/08/stan-lees-25-greatest-comic-book-creations/daredevil>.*

* cited by examiner

Primary Examiner — Michael C Stout
Assistant Examiner — John A Voytek
 (74) *Attorney, Agent, or Firm* — Mitchell A. Rossman;
 Terra Nova Patent Law, PLLC

(57) **CLAIM**

The ornamental design for a belt buckle, as shown and described.

(56) **References Cited**

U.S. PATENT DOCUMENTS

3,381,495	A *	5/1968	Emerson	A44C 15/004 40/492
D439,862	S *	4/2001	Byard	D11/11
D526,234	S *	8/2006	Dolce	D11/6
D577,907	S *	10/2008	Hu	D3/211
D617,673	S *	6/2010	Kladde	D11/81
D627,680	S *	11/2010	Dufresne	D11/157
D651,116	S *	12/2011	Eddlemon	D11/56
D668,176	S *	10/2012	Kreuzer	D11/125
D690,229	S *	9/2013	Pena	D11/221
D719,051	S *	12/2014	Macri	D11/61
D760,619	S *	7/2016	Gabriel	D11/61
D811,079	S *	2/2018	Lee	D3/211

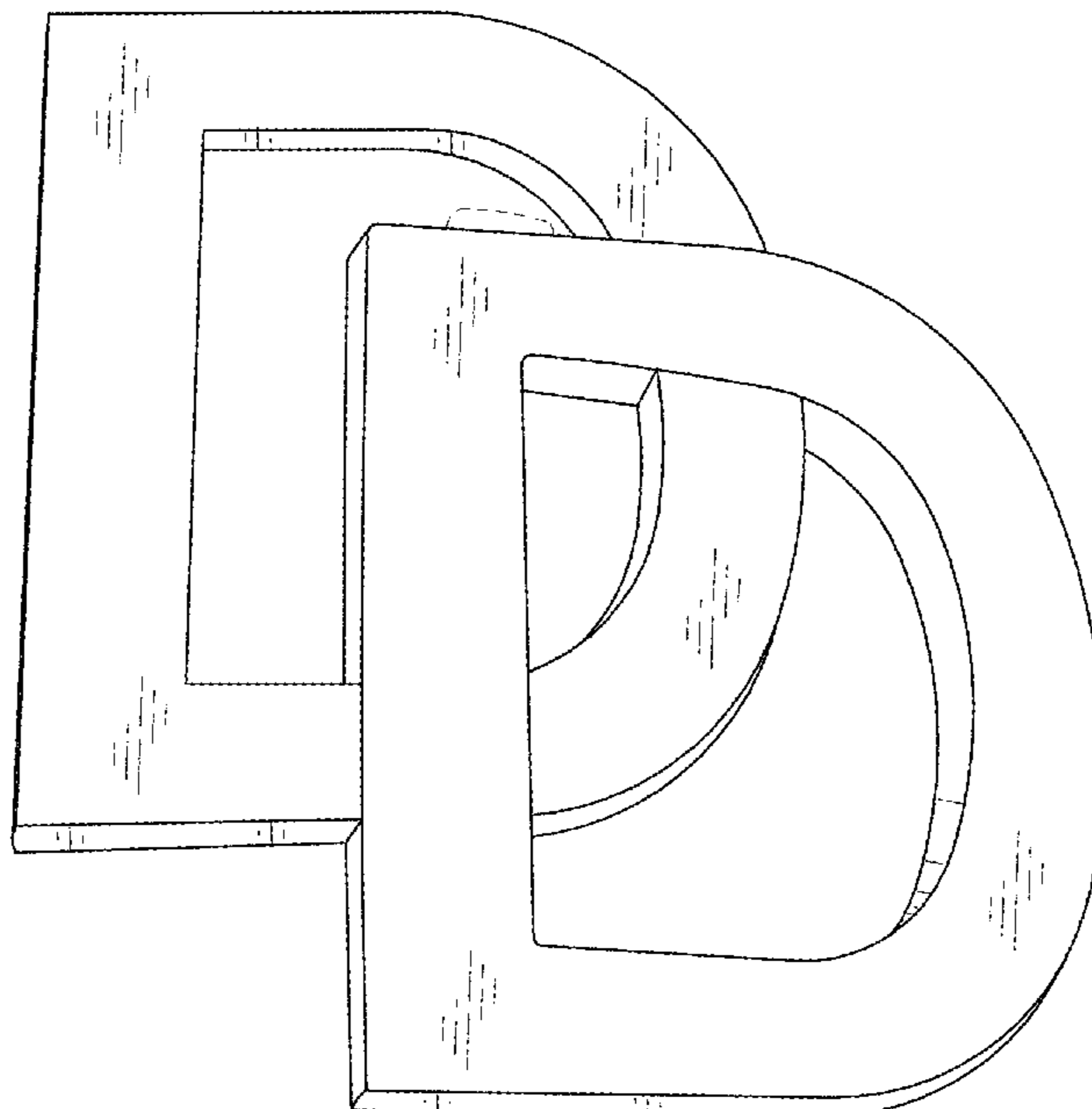
OTHER PUBLICATIONS

DeezeRHD—DD (DeezeR Designs) Logo intro (Youtube video)—
 [Jun. 5, 2011]—https://www.youtube.com/watch?v=D0_S5RUV4sc.*

DESCRIPTION

FIG. 1 is a front perspective view of the design of the present invention.
 FIG. 2 is a rear perspective view of the design of the present invention.
 FIG. 3 is a front view of the design of the present invention.
 FIG. 4 is a rear view of the design of the present invention.
 FIG. 5 is a top view of the design of the present invention.
 FIG. 6 is a bottom view of the design of the present invention.
 FIG. 7 is a right-side view of the design of the present invention; and,
 FIG. 8 is a left-side view of the design of the present invention.
 The broken lines of FIGS. 1-2 and 4-8 illustrate portions of the belt buckle that form no part of the claimed design.

1 Claim, 8 Drawing Sheets



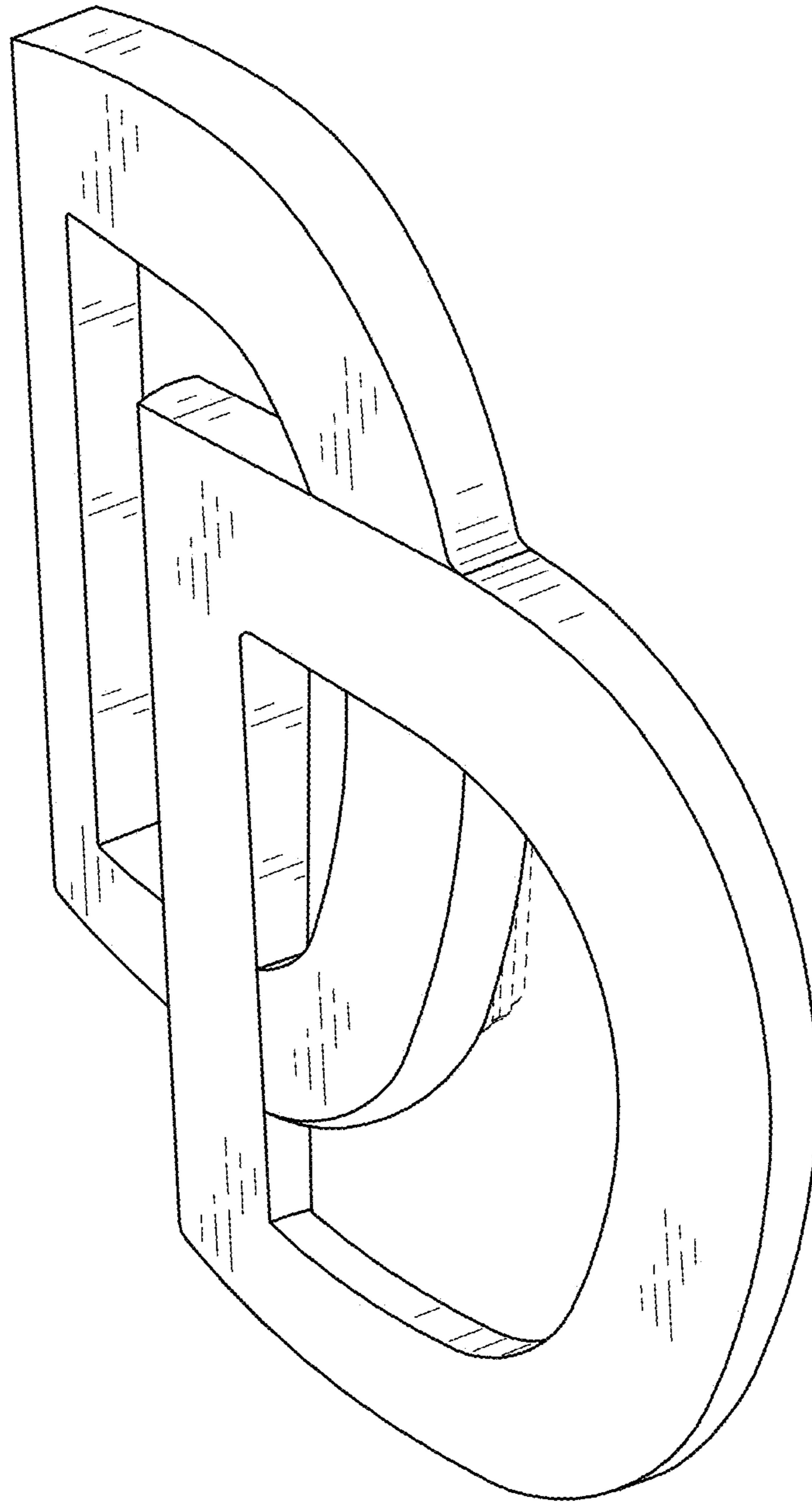


FIG. 1

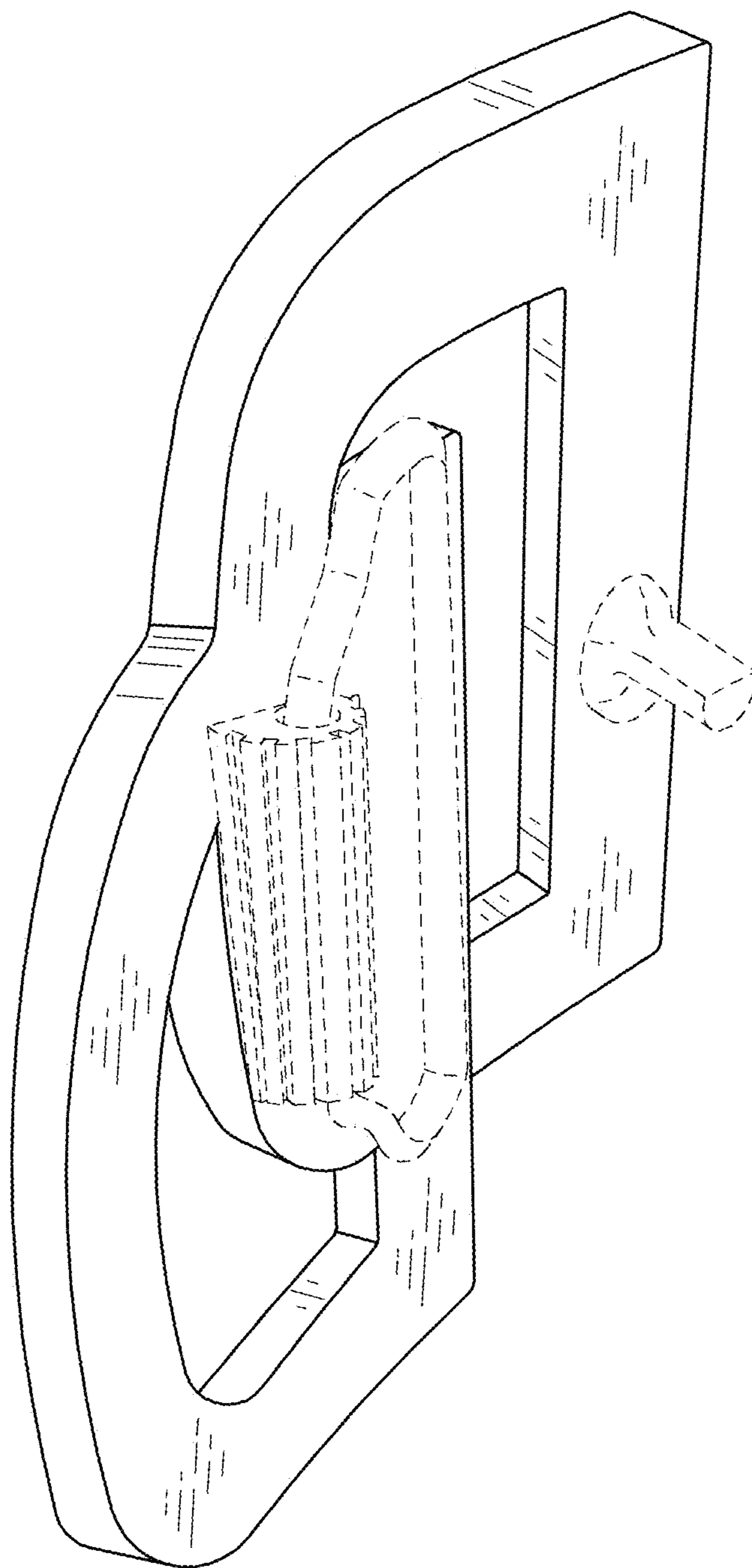


FIG. 2

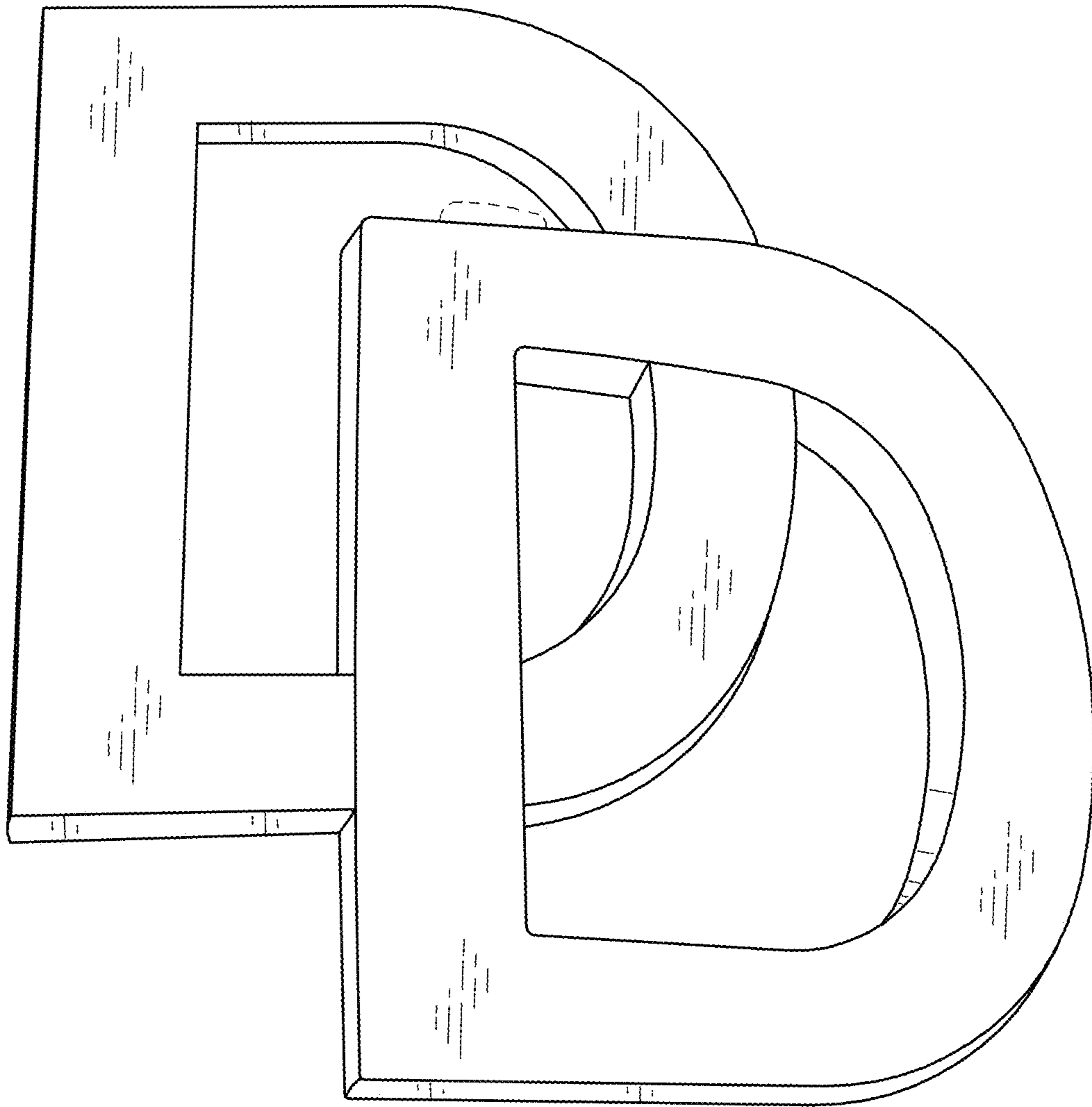


FIG. 3

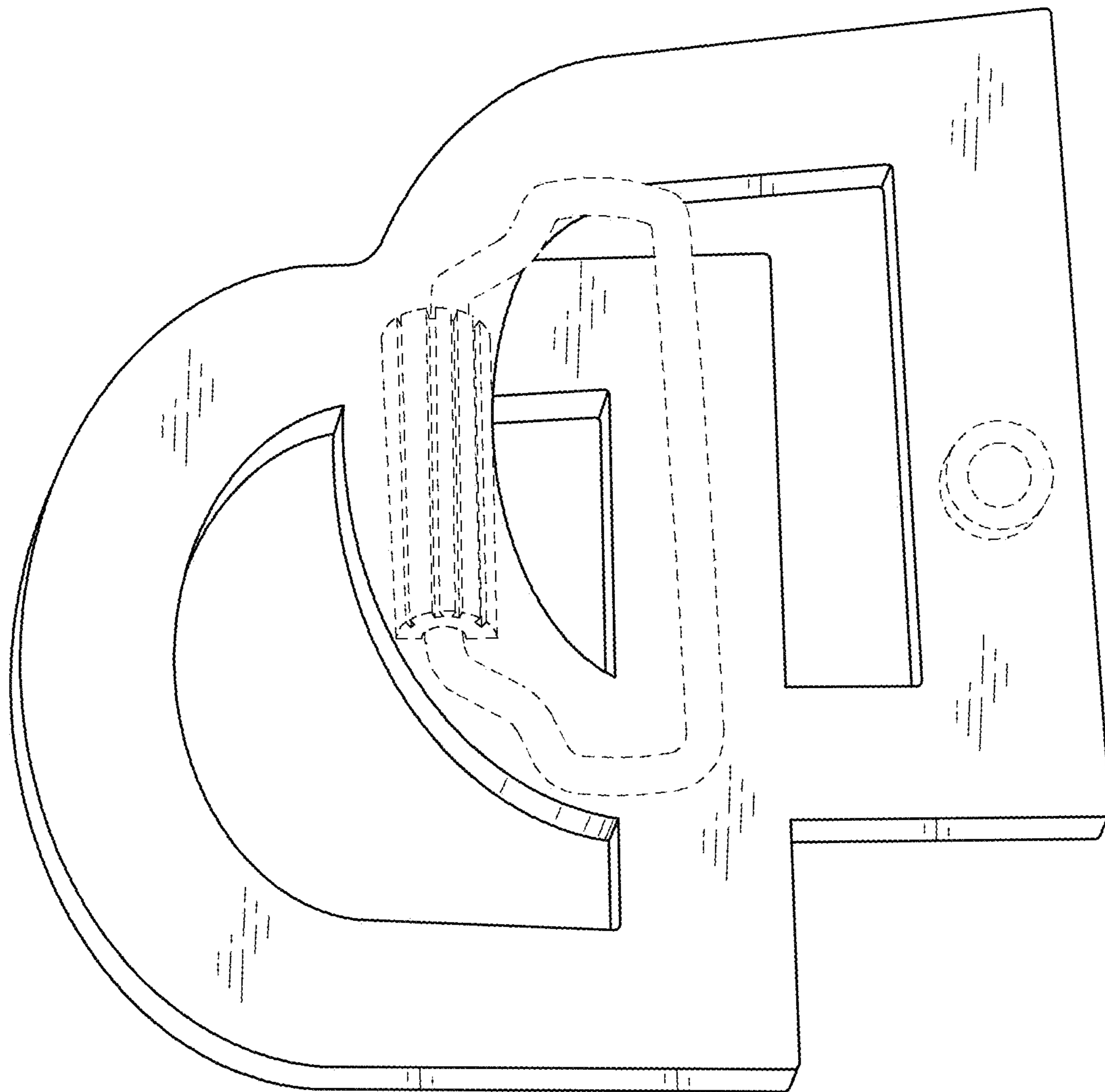


FIG. 4

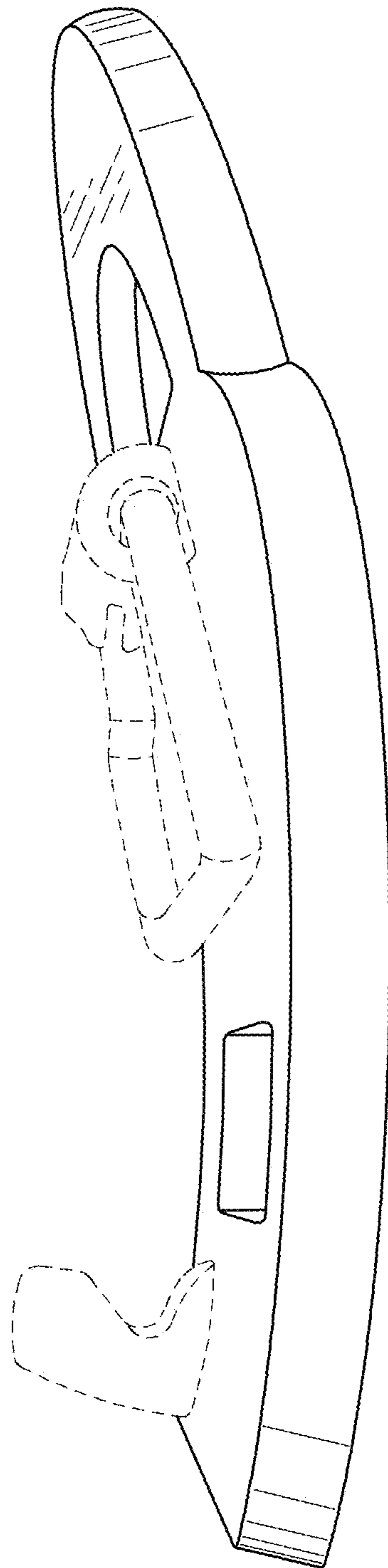


FIG. 5

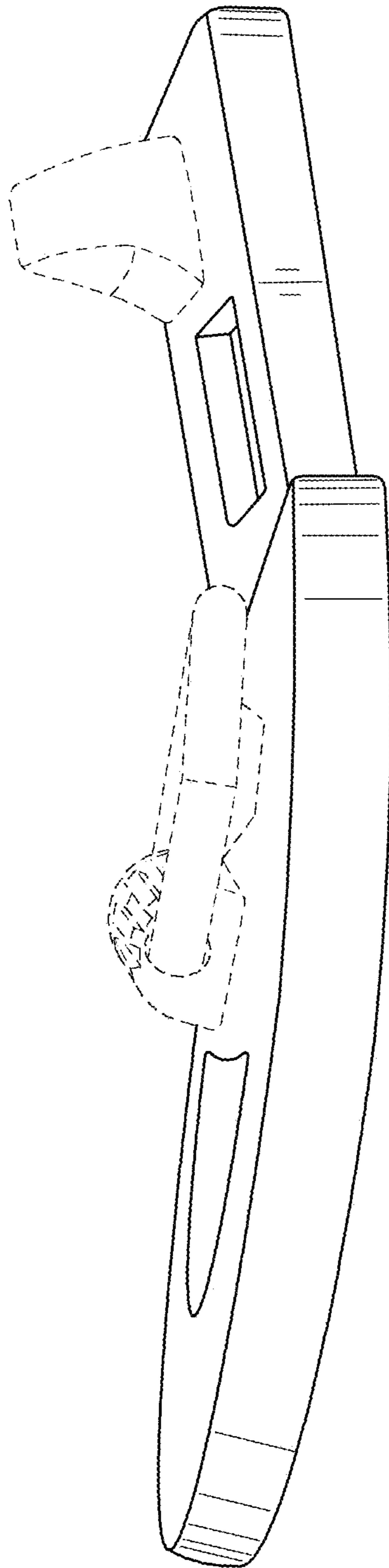


FIG. 6

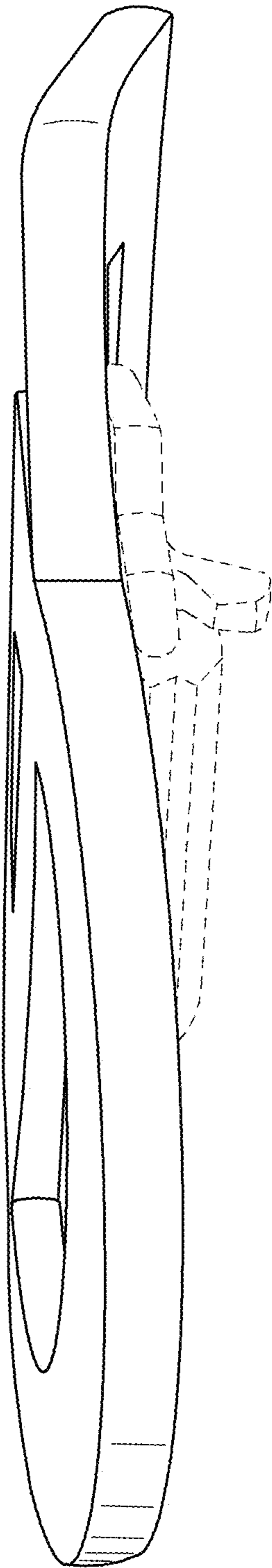


FIG. 7

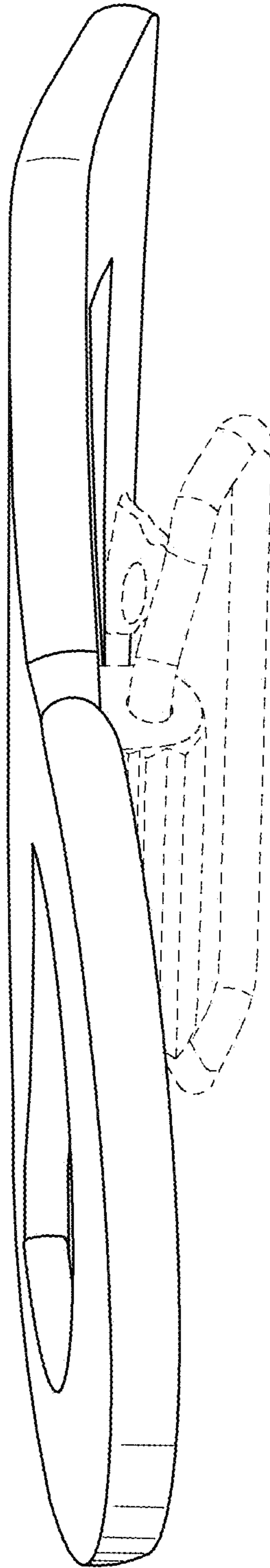


FIG. 8