



US00D877656S

(12) **United States Design Patent** (10) **Patent No.:** **US D877,656 S**  
**Chan** (45) **Date of Patent:** **\*\* Mar. 10, 2020**

(54) **BUCKLE**  
(71) Applicant: **Duraflex Hong Kong Limited**, Hong Kong (CN)  
(72) Inventor: **Yick Fai Chan**, Hong Kong (CN)  
(73) Assignee: **Duraflex Hong Kong Limited**, Hong Kong (CN)

D713,759 S \* 9/2014 Guney ..... D11/218  
D740,718 S \* 10/2015 Liu ..... D11/216  
D752,480 S \* 3/2016 Chan ..... D11/218  
9,486,028 B1 \* 11/2016 VanHoutin ..... A42B 3/08  
D862,283 S \* 10/2019 Paik ..... D11/216  
D868,626 S \* 12/2019 Paik ..... D11/218  
2013/0092139 A1 \* 4/2013 Summers ..... F41B 5/1469  
124/31  
2014/0196262 A1 \* 7/2014 Chan ..... A44B 11/25  
24/594.11

(\*\*) Term: **15 Years**

**FOREIGN PATENT DOCUMENTS**

(21) Appl. No.: **29/665,516**

WO WO-2005058086 A1 \* 6/2005 ..... A42B 3/08  
WO 2018/053533 A1 3/2018

(22) Filed: **Oct. 4, 2018**

**OTHER PUBLICATIONS**

(51) **LOC (12) Cl.** ..... **02-07**

(52) **U.S. Cl.**  
USPC ..... **D11/218**

Amazon, Mammut Dual Adjust Buckle, posted Jun. 29, 2012, [online], [visited 12/29/2019]. Internet, <URL: https://www.amazon.co.uk/Mammut-Adjust-Squeeze-Backpack-Accessories/dp/B0038ZF9IW/ref=olp\_product\_details?\_encoding=UTF8&me=> (Year: 2012).\*

(58) **Field of Classification Search**  
USPC ..... D11/200, 201, 208, 212, 215, 216, 218, D11/219, 220, 221, 86, 87, 93, 94, 231; D8/383, 382, 499  
CPC ..... A44C 23/00; A44C 5/18; A44C 5/185; A44C 5/2066; A44C 5/2042; A44C 5/2057; A44C 5/2071; A44D 2200/10; A44D 2201/02; A44D 2201/10; A44D 2201/12; A44D 2201/14; A44D 2201/16; A44D 2201/30; A44D 2201/32; A44D 2201/34; A44D 2201/36; A44D 2203/00; A44D 2205/00; A44B 11/00; A44B 11/25; A44B 11/2553; A44B 11/2549; A44B 11/04

\* cited by examiner

*Primary Examiner* — Sheryl Lane  
*Assistant Examiner* — Samantha N Wood  
(74) *Attorney, Agent, or Firm* — Collard & Roe, P.C.

See application file for complete search history.

(57) **CLAIM**

The ornamental design for a buckle, as shown and described.

(56) **References Cited**

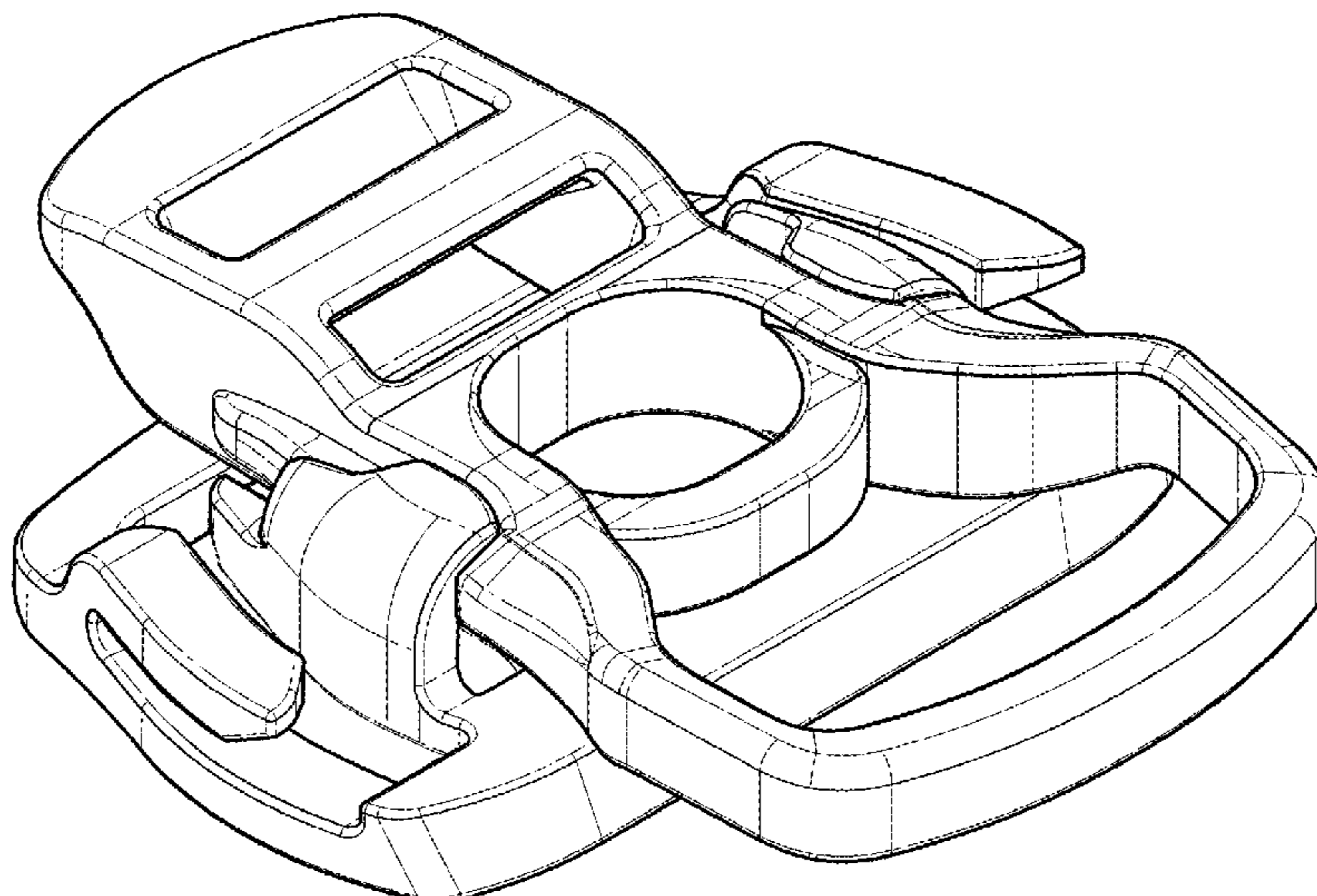
**U.S. PATENT DOCUMENTS**

200,658 A \* 2/1878 Judd ..... A44B 11/00  
24/316  
D410,411 S \* 6/1999 Fildan ..... D11/210  
D647,819 S \* 11/2011 Kolasa ..... D11/218  
D671,443 S \* 11/2012 Paik ..... D11/216  
D673,880 S \* 1/2013 Boothby ..... D11/218

**DESCRIPTION**

FIG. 1 is a top, front and left side perspective view of a buckle, showing my new design;  
FIG. 2 is a top view thereof;  
FIG. 3 is a bottom view thereof;  
FIG. 4 is a left side view thereof;  
FIG. 5 is a right side view thereof;  
FIG. 6 is a front view thereof; and,  
FIG. 7 is a rear view thereof.

**1 Claim, 5 Drawing Sheets**



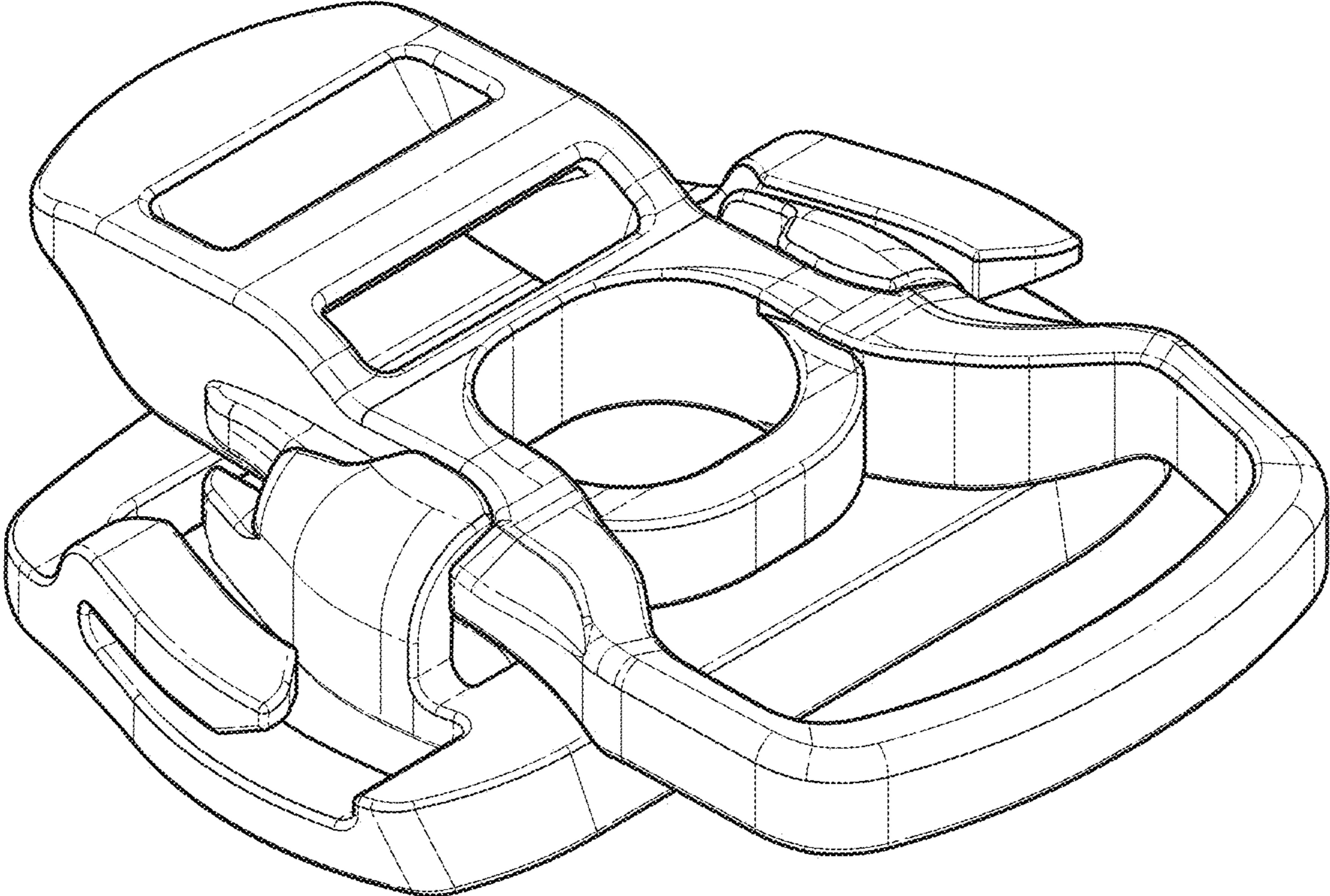


FIG. 1

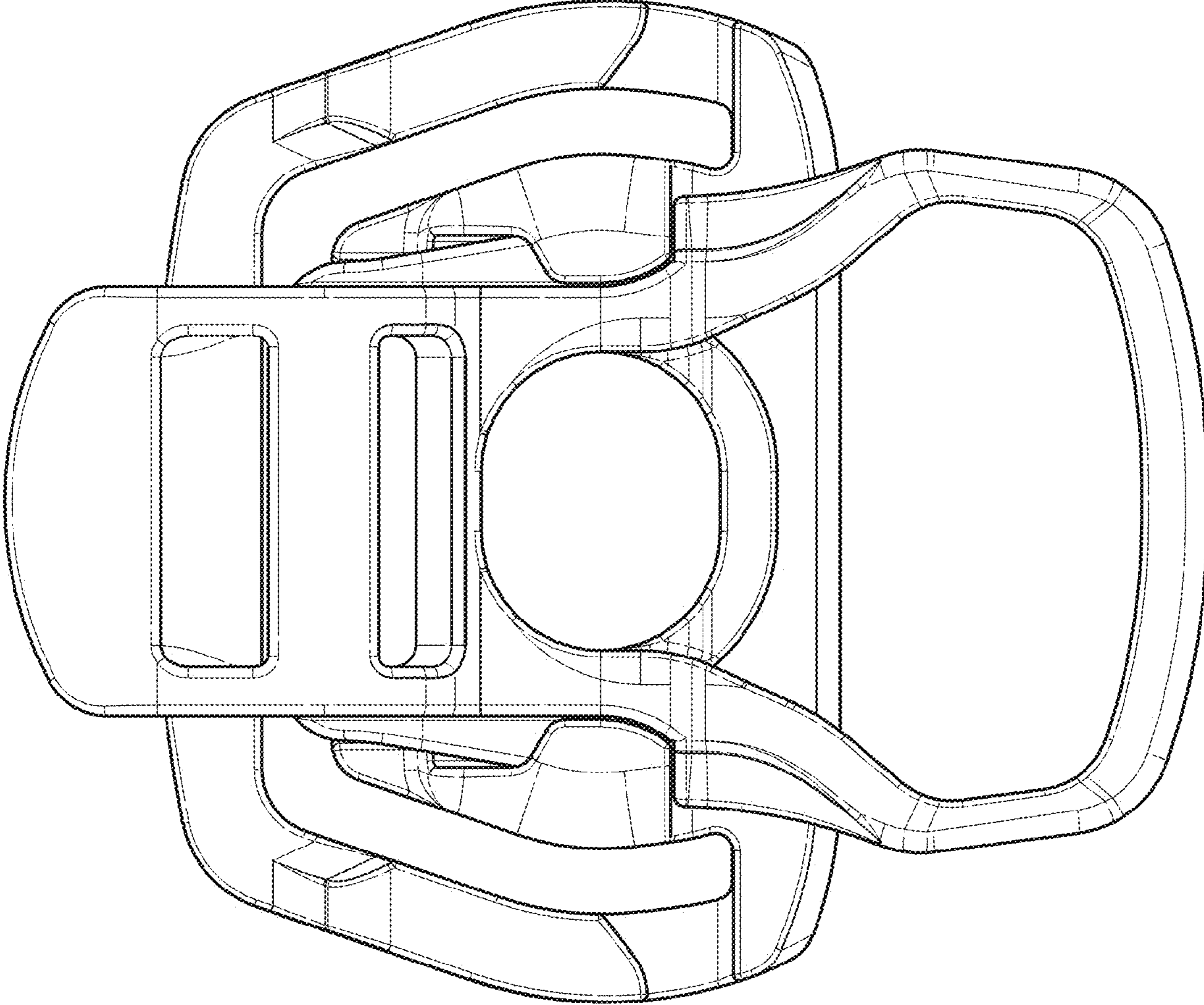


FIG. 2

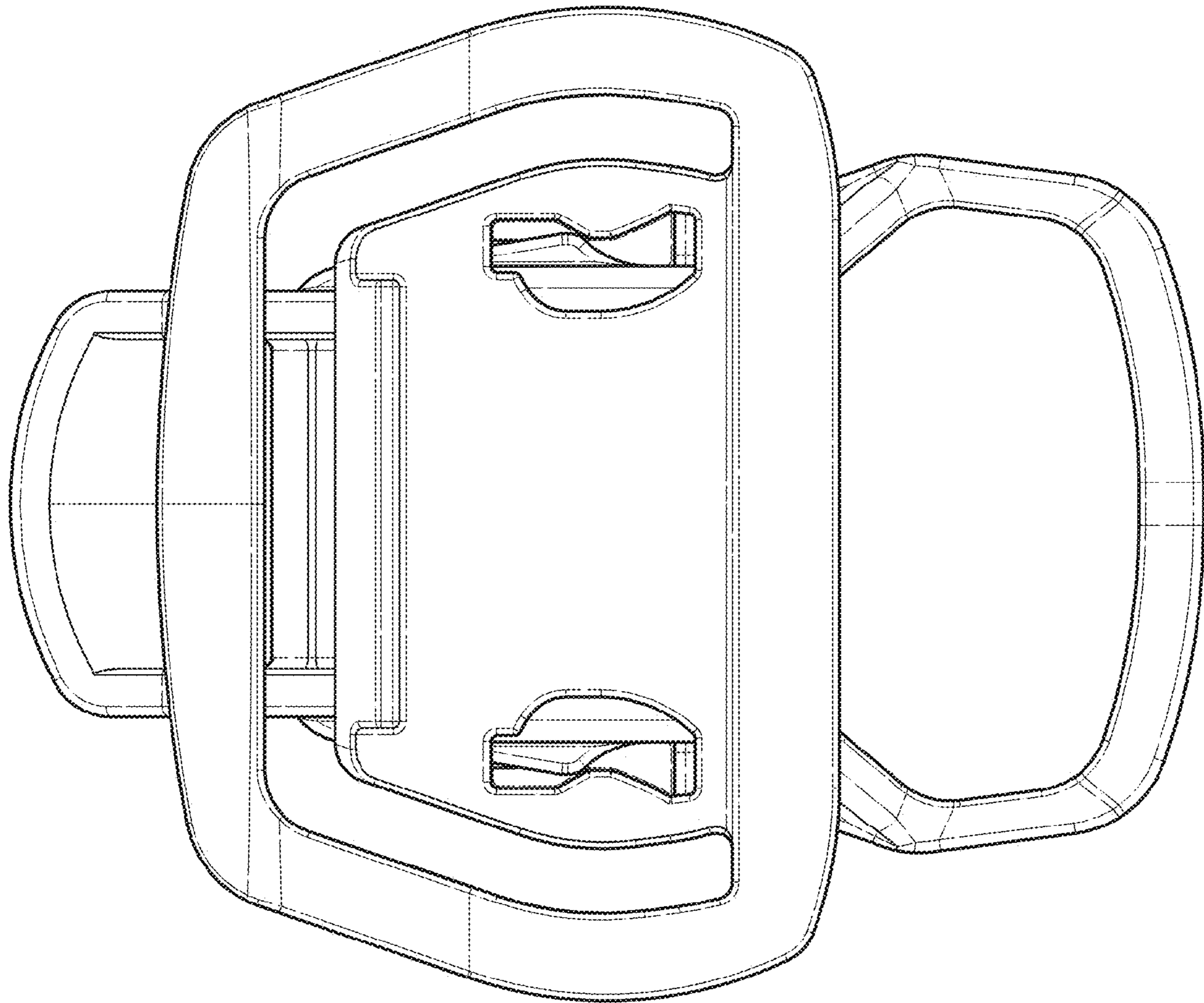


FIG. 3

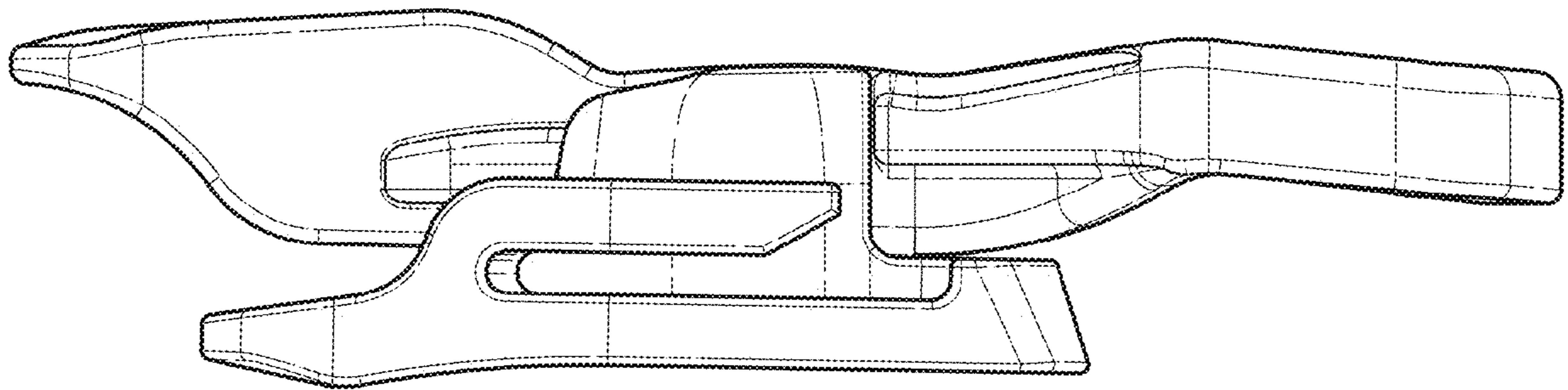


FIG. 4

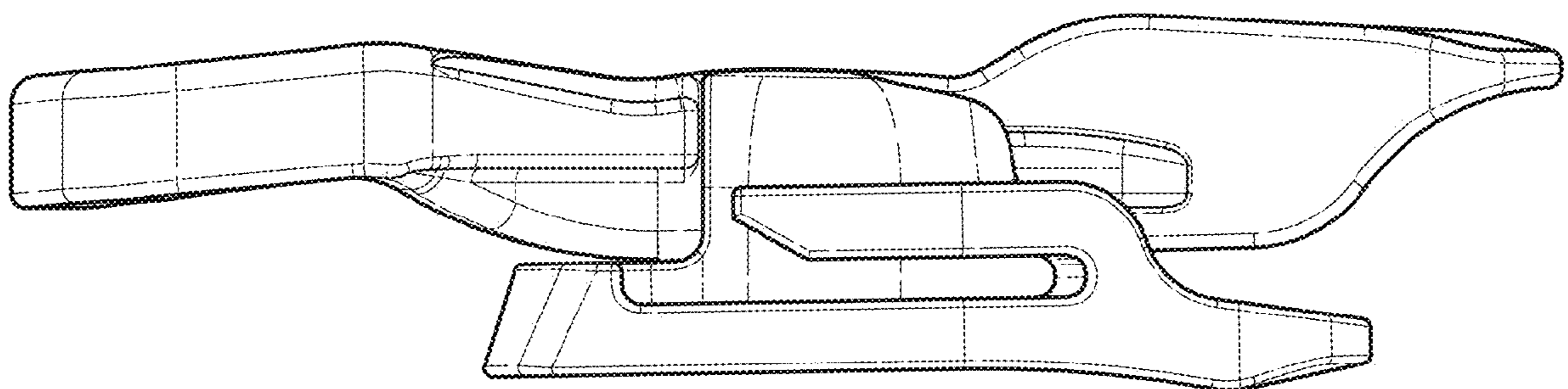


FIG. 5

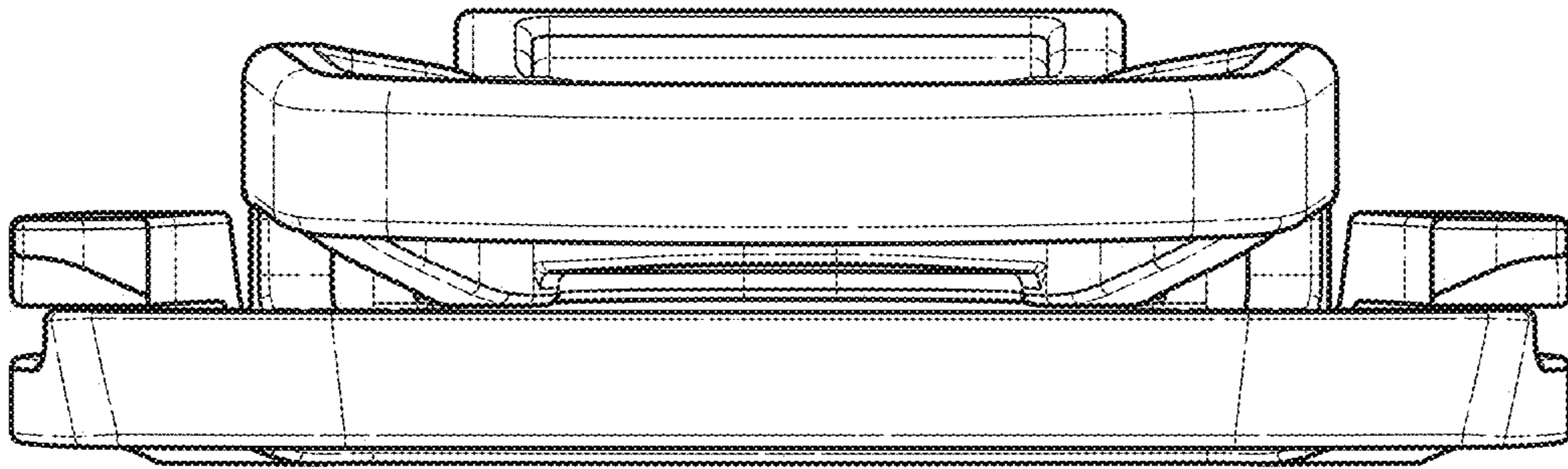


FIG. 6

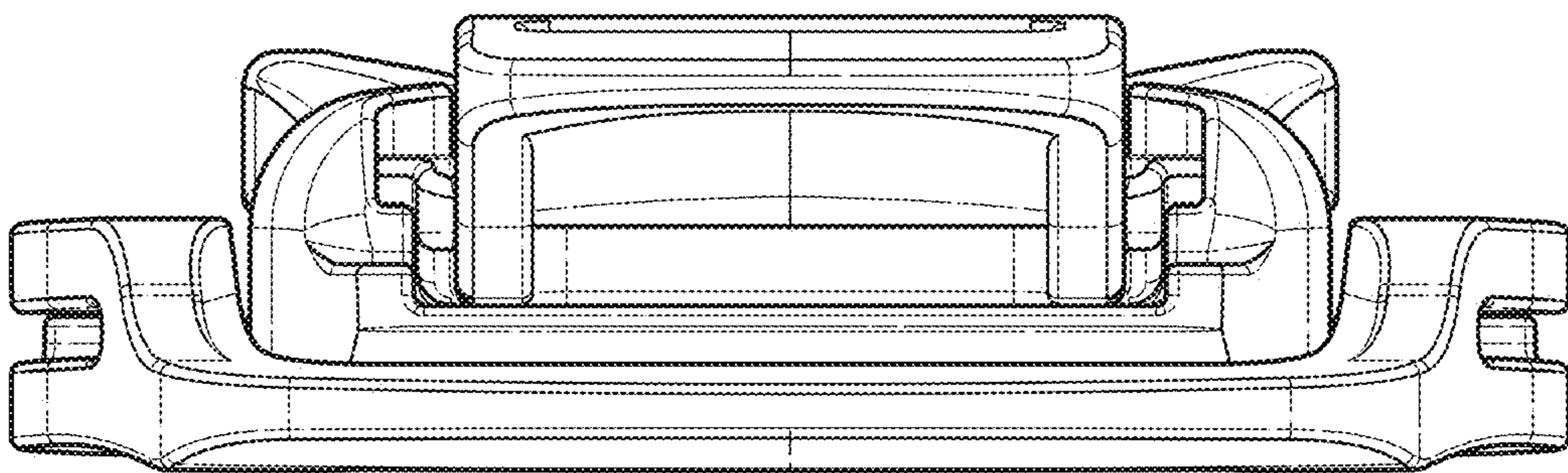


FIG. 7