



US00D877655S

(12) **United States Design Patent**  
**Lin**

(10) **Patent No.:** **US D877,655 S**

(45) **Date of Patent:** **\*\* Mar. 10, 2020**

(54) **BUCKLE**

(71) Applicant: **Duraflex Hong Kong Limited**, Hong Kong (CN)

(72) Inventor: **Po Chu Lin**, Taipei (TW)

(73) Assignee: **Duraflex Hong Kong Limited**, Hong Kong (CN)

(\*\*) Term: **15 Years**

(21) Appl. No.: **29/663,650**

(22) Filed: **Sep. 18, 2018**

(30) **Foreign Application Priority Data**

Mar. 21, 2018 (CA) ..... 2018 3 0106130

(51) **LOC (12) Cl.** ..... **02-07**

(52) **U.S. Cl.**  
USPC ..... **D11/216**

(58) **Field of Classification Search**

USPC .... D2/624-640, 853, 976; D3/24, 213, 215, D3/216, 230, 222; D8/14, 16, 19, 331, D8/343, 349, 356, 358, 359, 360, 363, D8/366, 371, 382, 394, 395; D10/32; D11/1-3, 87, 93, 200, 201, 206-210, D11/212-219, 220, 230-237; D29/100-101.5, 122, 129; D30/139, 152, D30/153

(Continued)

(56) **References Cited**

**U.S. PATENT DOCUMENTS**

D576,519 S \* 9/2008 Uehara ..... D11/216  
D597,441 S \* 8/2009 Uehara ..... D11/216

(Continued)

**OTHER PUBLICATIONS**

Duraflex SJ Buckle, no date available, [online], [site visited Jan. 3, 2020]. Retrieved from url: <http://www.duraflexgroup.com/productDetail.aspx?id=428&sort=backpack> (Year: 2020).\*

*Primary Examiner* — Jeffrey D Asch

*Assistant Examiner* — Tracey J Bell

(74) *Attorney, Agent, or Firm* — Collard & Roe, P.C.

(57) **CLAIM**

The ornamental design for a buckle, as shown and described.

**DESCRIPTION**

FIG. 1 is a front, top and left side perspective view of a buckle, showing my new design in a fully assembled state;

FIG. 2 is a top view thereof;

FIG. 3 is a bottom view thereof;

FIG. 4 is a left side view thereof;

FIG. 5 is a right side view thereof;

FIG. 6 is a front view thereof;

FIG. 7 is a rear view thereof;

FIG. 8 is a front, top and left side perspective view of the female part of the buckle according to my new design;

FIG. 9 is a top view thereof;

FIG. 10 is a bottom view thereof;

FIG. 11 is a left side view thereof;

FIG. 12 is a right side view thereof;

FIG. 13 is a front view thereof;

FIG. 14 is a rear view thereof;

FIG. 15 is a top, front and left side perspective view of the male part of the buckle according to my new design;

FIG. 16 is a top view thereof;

FIG. 17 is a bottom view thereof;

FIG. 18 is a left side view thereof;

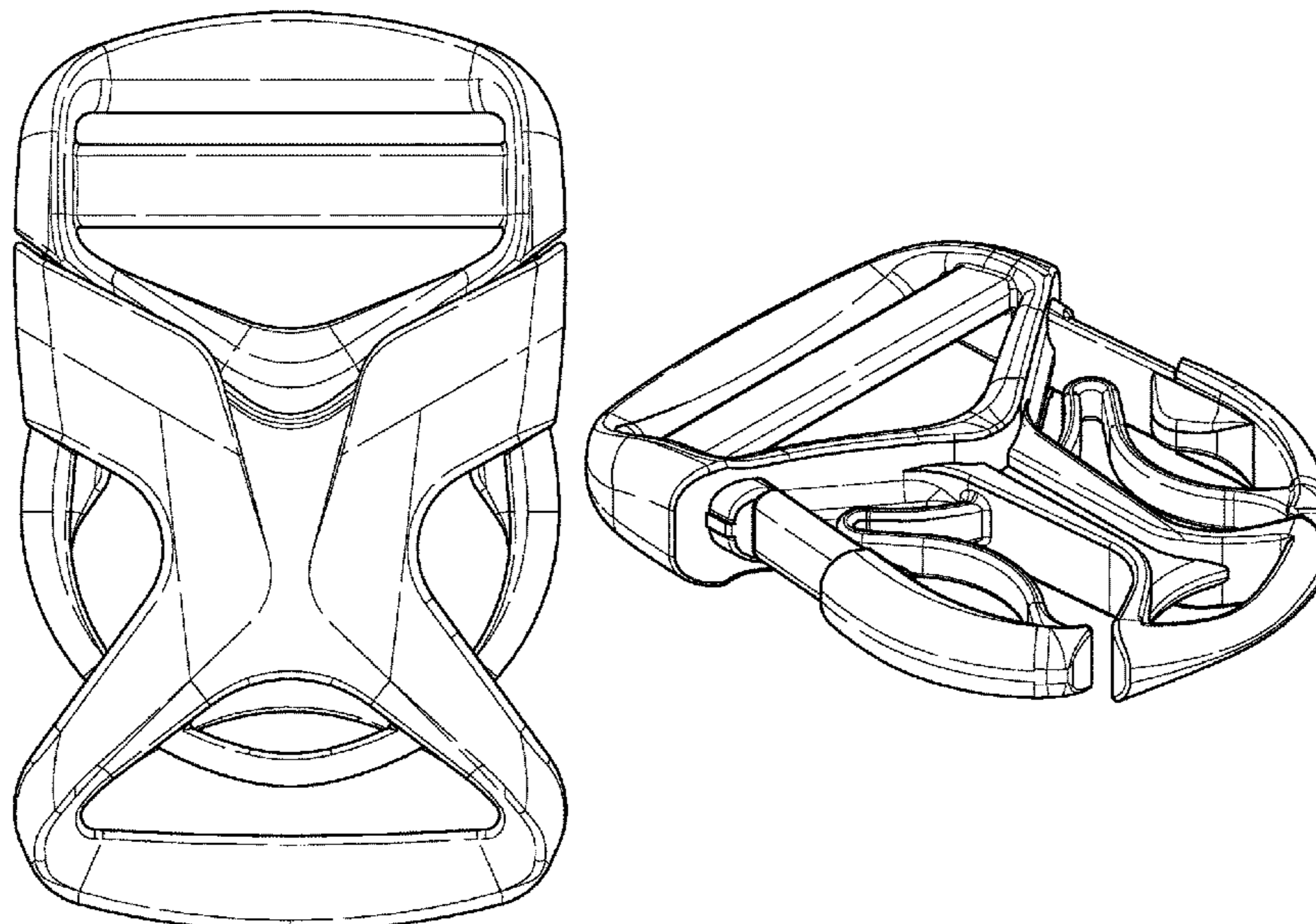
FIG. 19 is a right side view thereof;

FIG. 20 is a front view thereof; and,

FIG. 21 is a rear view thereof.

The features shown in broken lines depict environmental structure and form no part of the claimed design.

**1 Claim, 10 Drawing Sheets**



(58) **Field of Classification Search**

CPC ..... A44B 11/00; A44B 11/02; A44B 11/04;  
 A44B 11/05; A44B 11/06; A44B 11/10;  
 A44B 11/14; A44B 11/18; A44B 11/22;  
 A44B 11/26; A44B 11/125; A44B 11/233;  
 A44B 11/001; A44B 11/005; A44B  
 11/006; A44B 11/2503; A44B 11/2507;  
 A44B 11/2526; A44B 11/2553; A44B  
 11/2592; A44B 11/2519; A44B 11/2452;  
 A44B 13/00; A41F 1/008; A41F 9/002;  
 A41F 9/007; A41F 15/002; B60R 22/30;  
 B60R 22/32; B60R 22/002; B60R  
 2022/1806; B60R 2022/1812; B60R  
 2022/281; B65D 63/16; A62B 35/00

See application file for complete search history.

(56) **References Cited**

U.S. PATENT DOCUMENTS

D619,496 S \* 7/2010 Paik ..... D11/216  
 D646,996 S \* 10/2011 Kawaguchi ..... D11/216

D646,999 S \* 10/2011 Kawaguchi ..... D11/218  
 D657,286 S \* 4/2012 Lo ..... D11/216  
 D668,178 S \* 10/2012 Kao ..... D11/216  
 D671,445 S \* 11/2012 Paik ..... D11/216  
 D684,893 S \* 6/2013 Kataguchi ..... D11/216  
 D685,292 S \* 7/2013 Kataguchi ..... D11/216  
 D686,530 S \* 7/2013 Paik ..... D11/216  
 D688,158 S \* 8/2013 Kao ..... D11/216  
 D703,094 S \* 4/2014 Nanbu ..... D11/216  
 D731,357 S \* 6/2015 Fujii ..... D11/216  
 D739,301 S \* 9/2015 Takazakura ..... D11/216  
 D739,783 S \* 9/2015 Liu ..... D11/216  
 D740,718 S \* 10/2015 Liu ..... D11/216  
 D799,370 S \* 10/2017 Paik ..... D11/216  
 D813,088 S \* 3/2018 Paik ..... D11/216  
 D862,283 S \* 10/2019 Paik ..... D11/216  
 D868,626 S \* 12/2019 Paik ..... D11/218  
 2014/0259573 A1 \* 9/2014 Kawaguchi ..... A44B 11/2592  
 24/664  
 2019/0289967 A1 \* 9/2019 Lin ..... A44B 11/20

\* cited by examiner

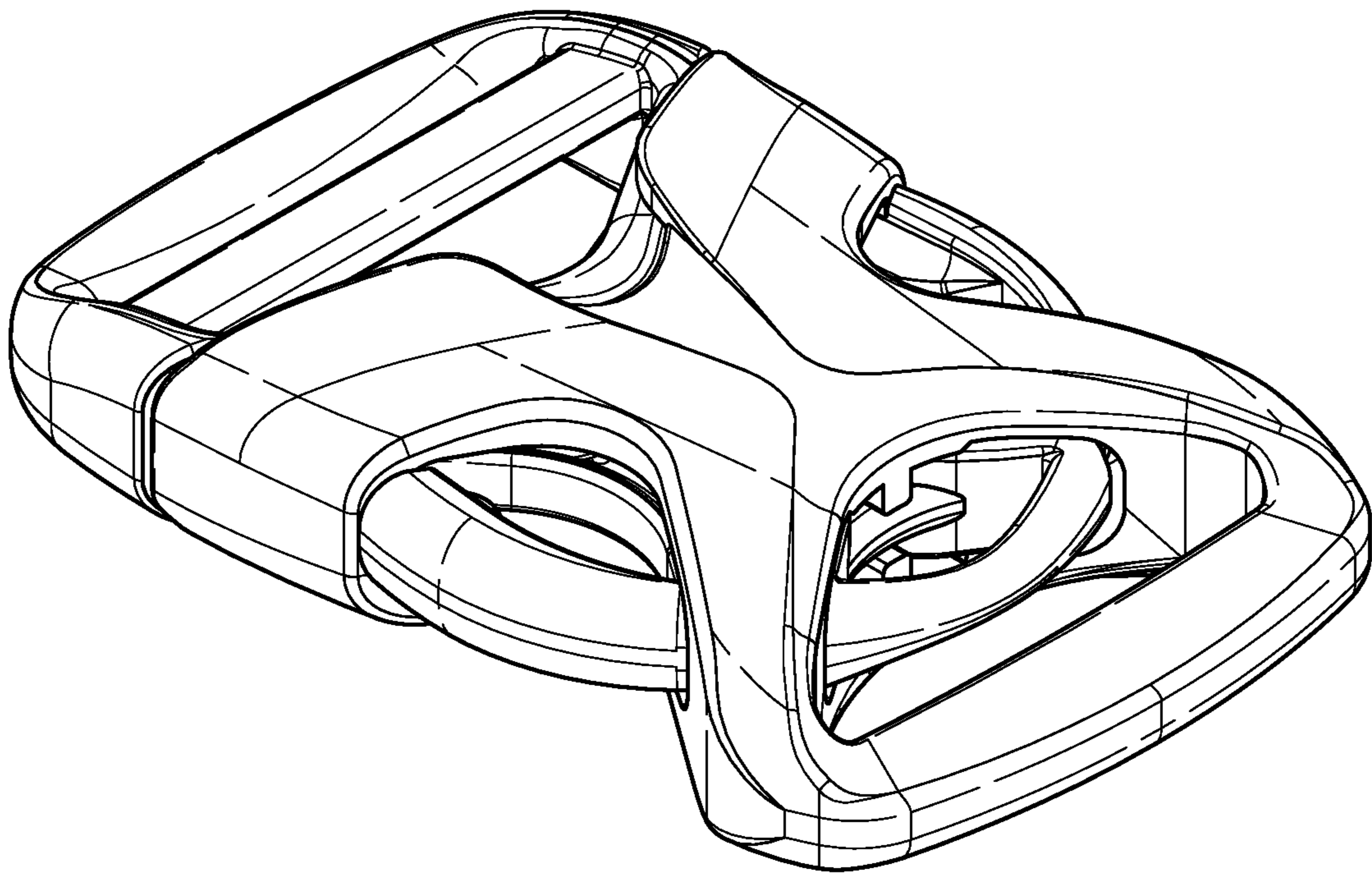


FIG. 1



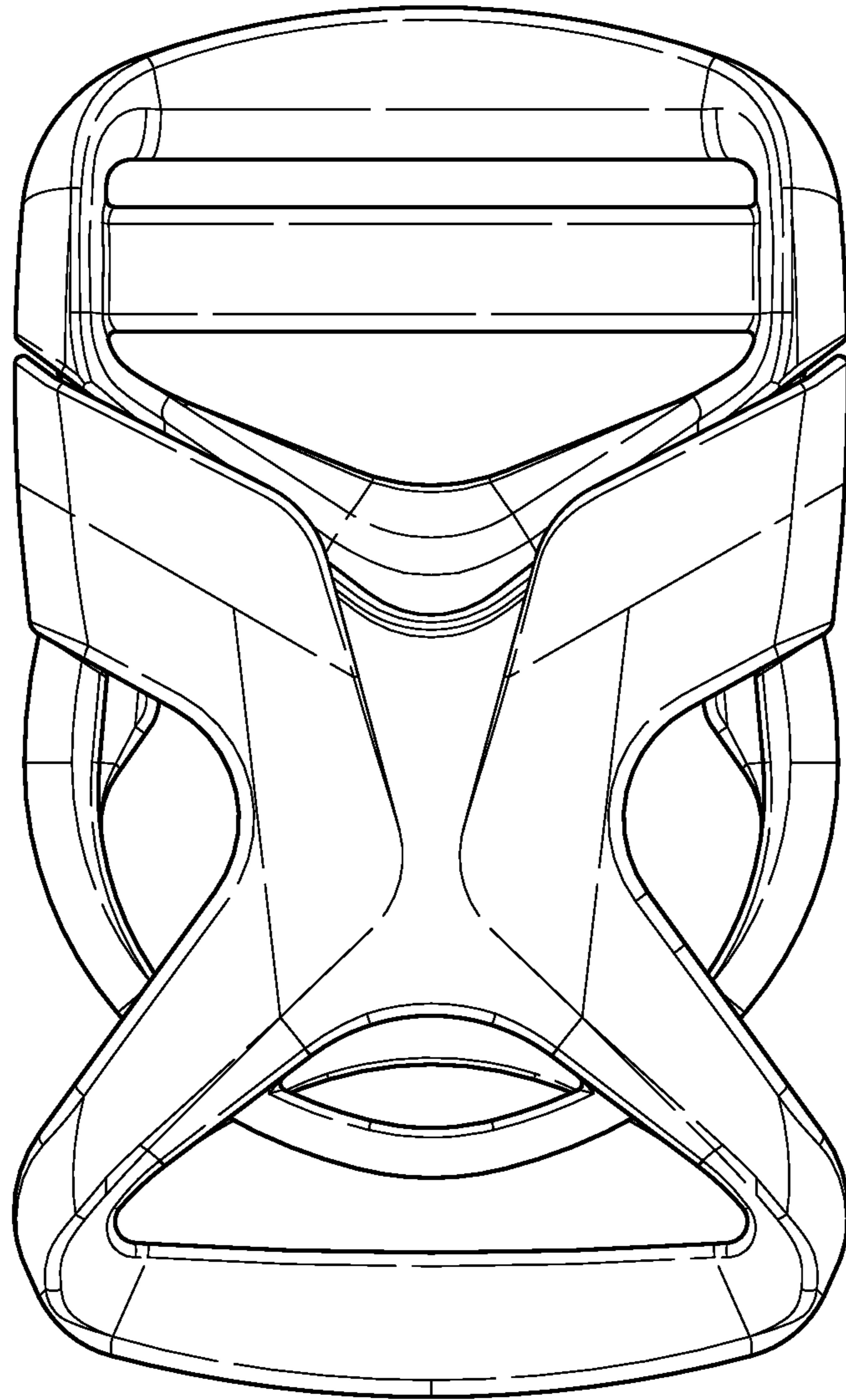


FIG. 2

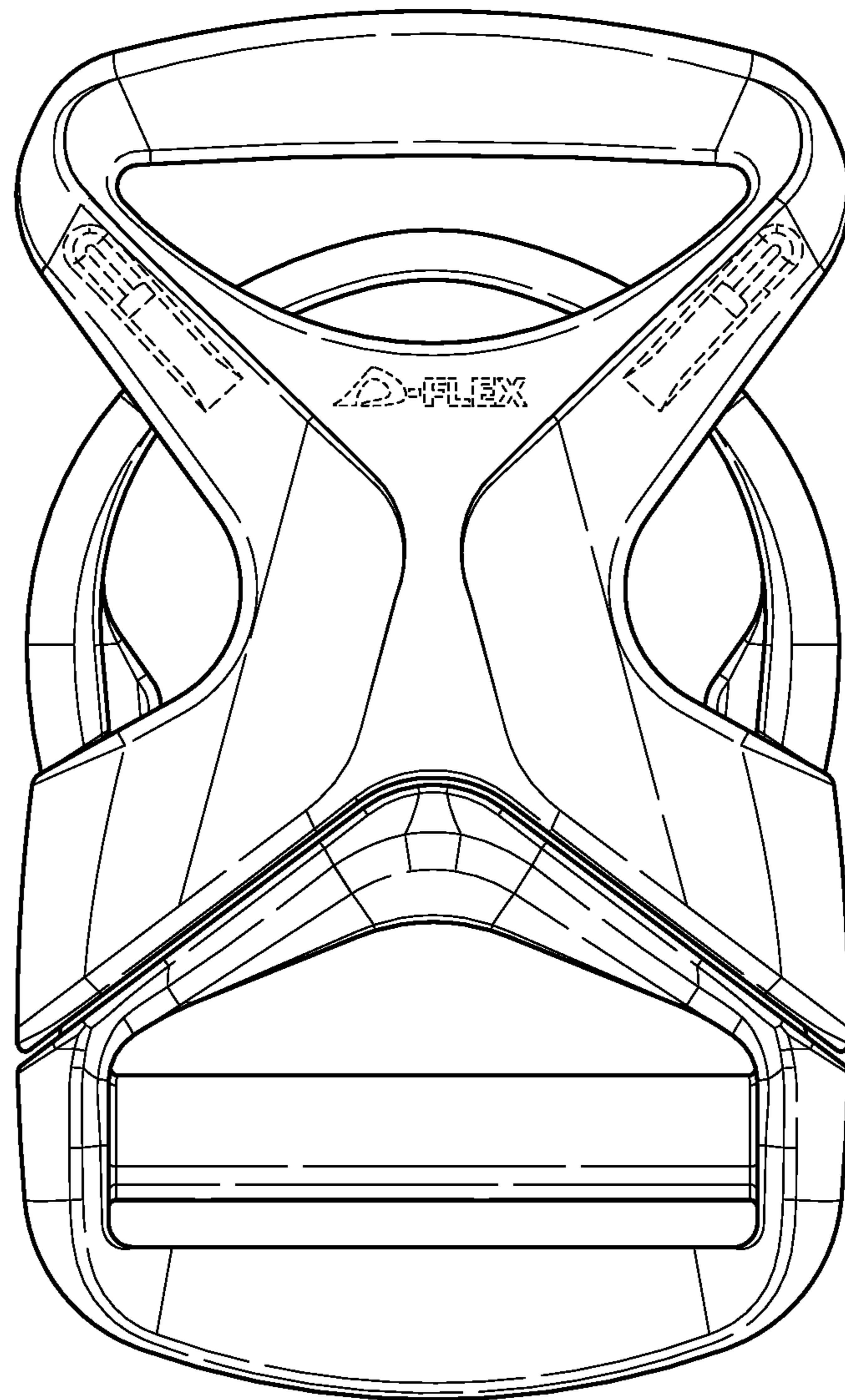


FIG. 3

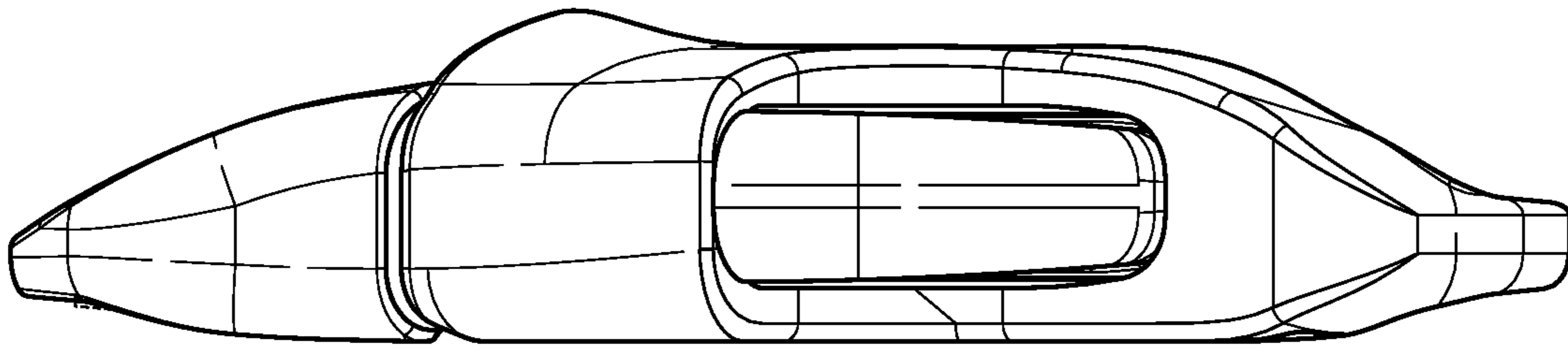


FIG. 4

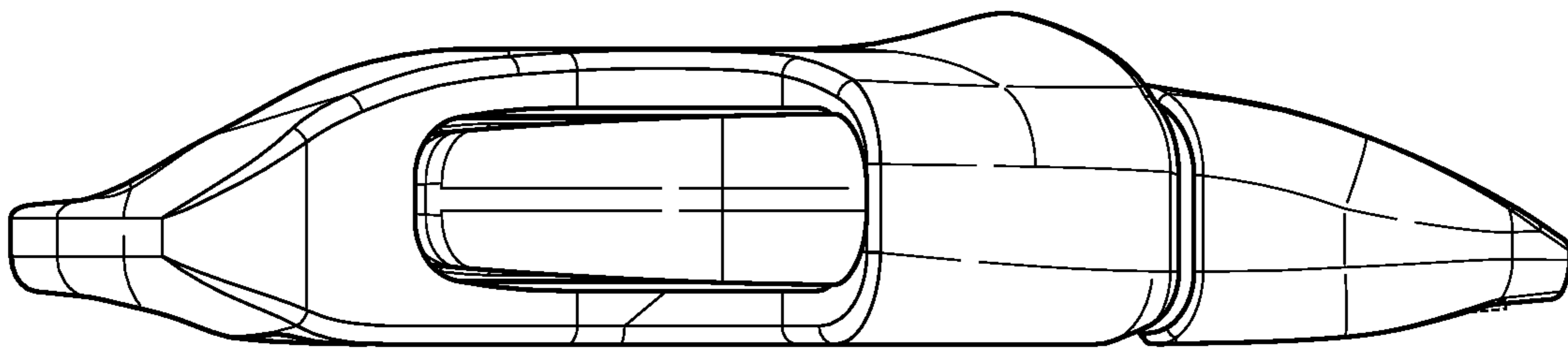


FIG. 5

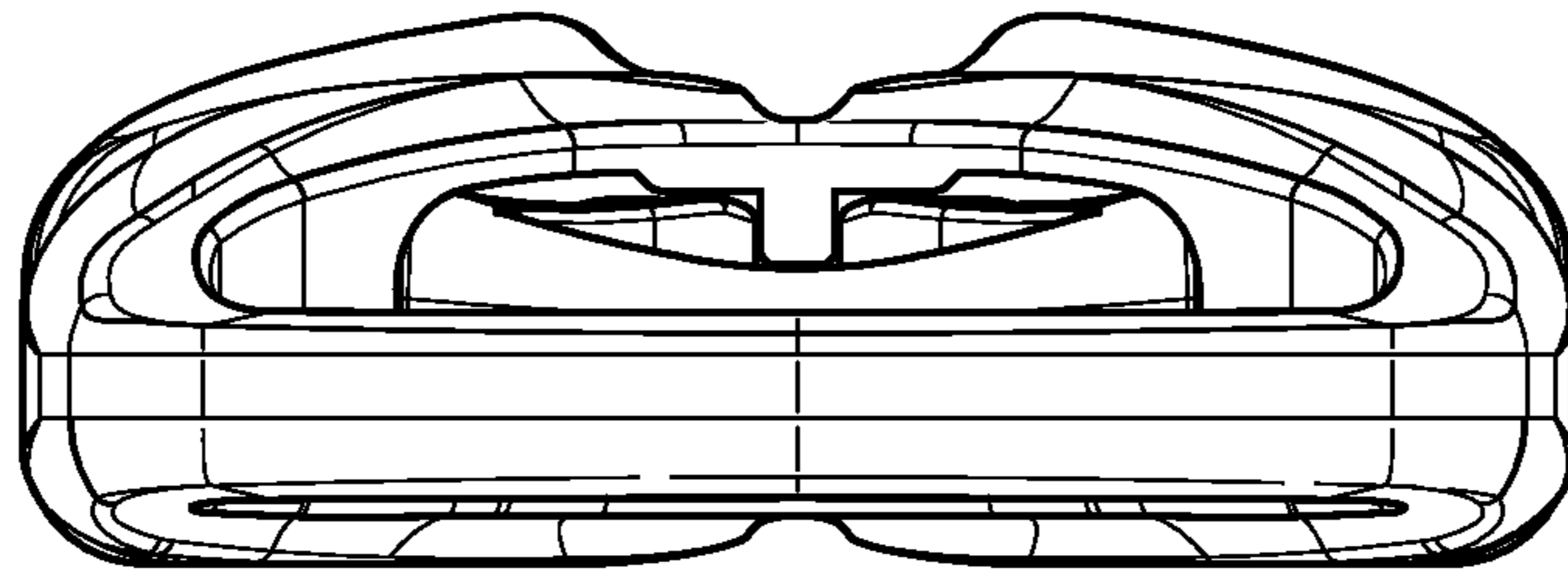


FIG. 6

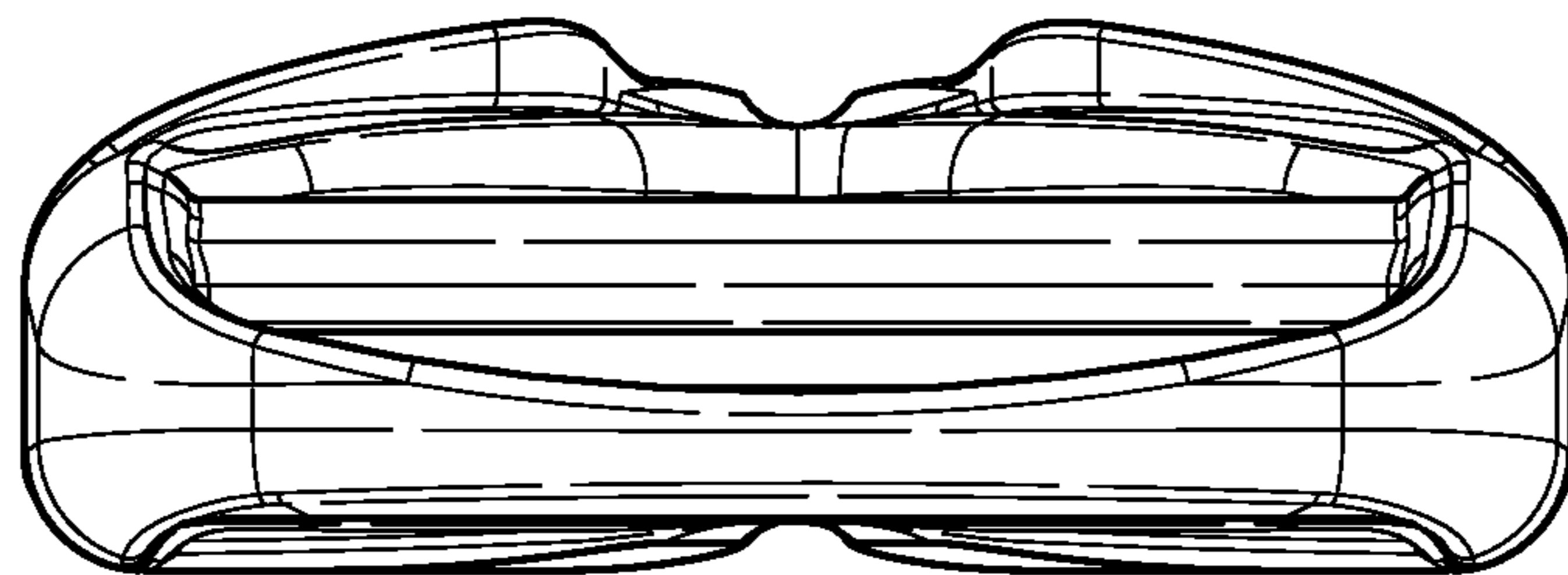


FIG. 7

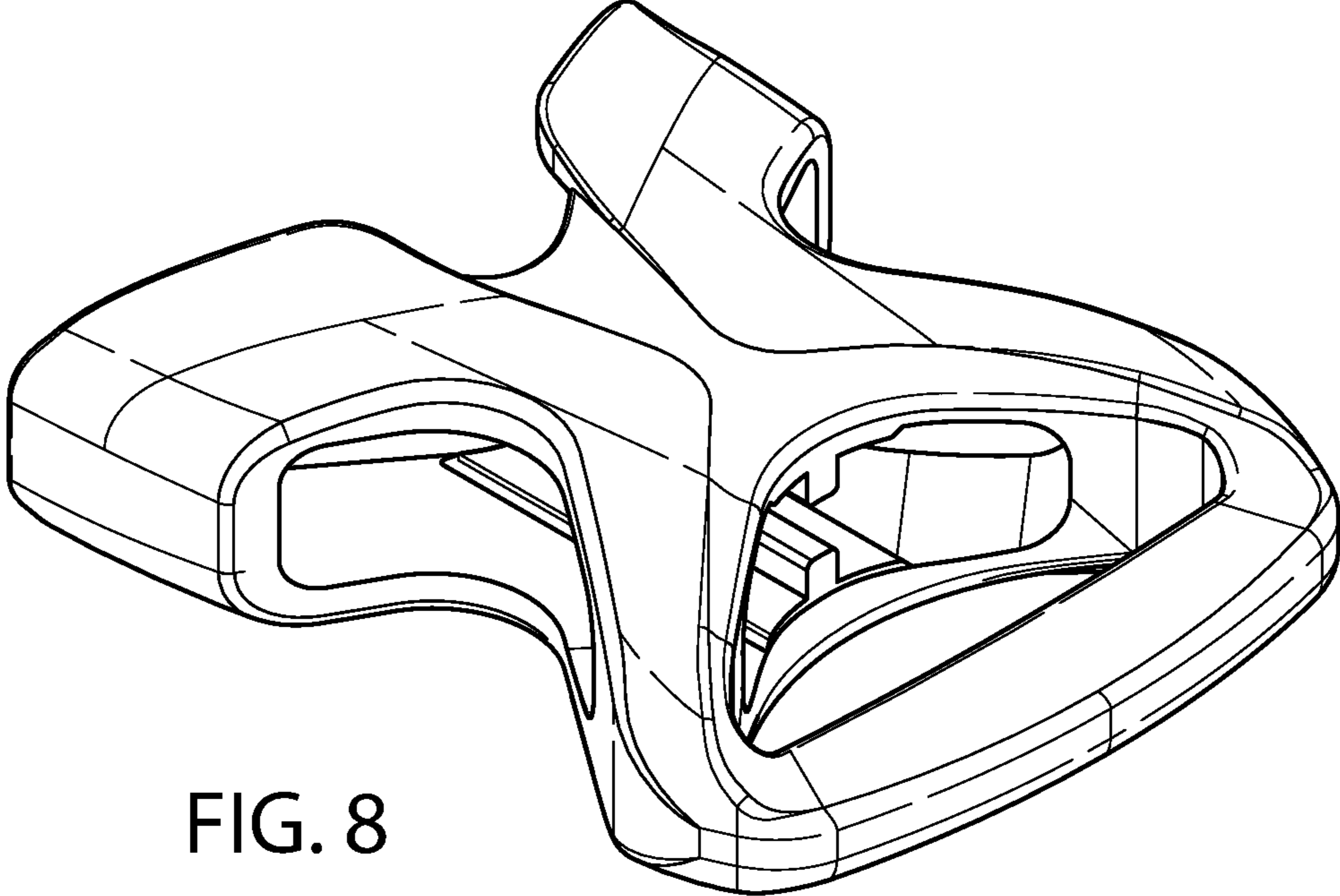


FIG. 8

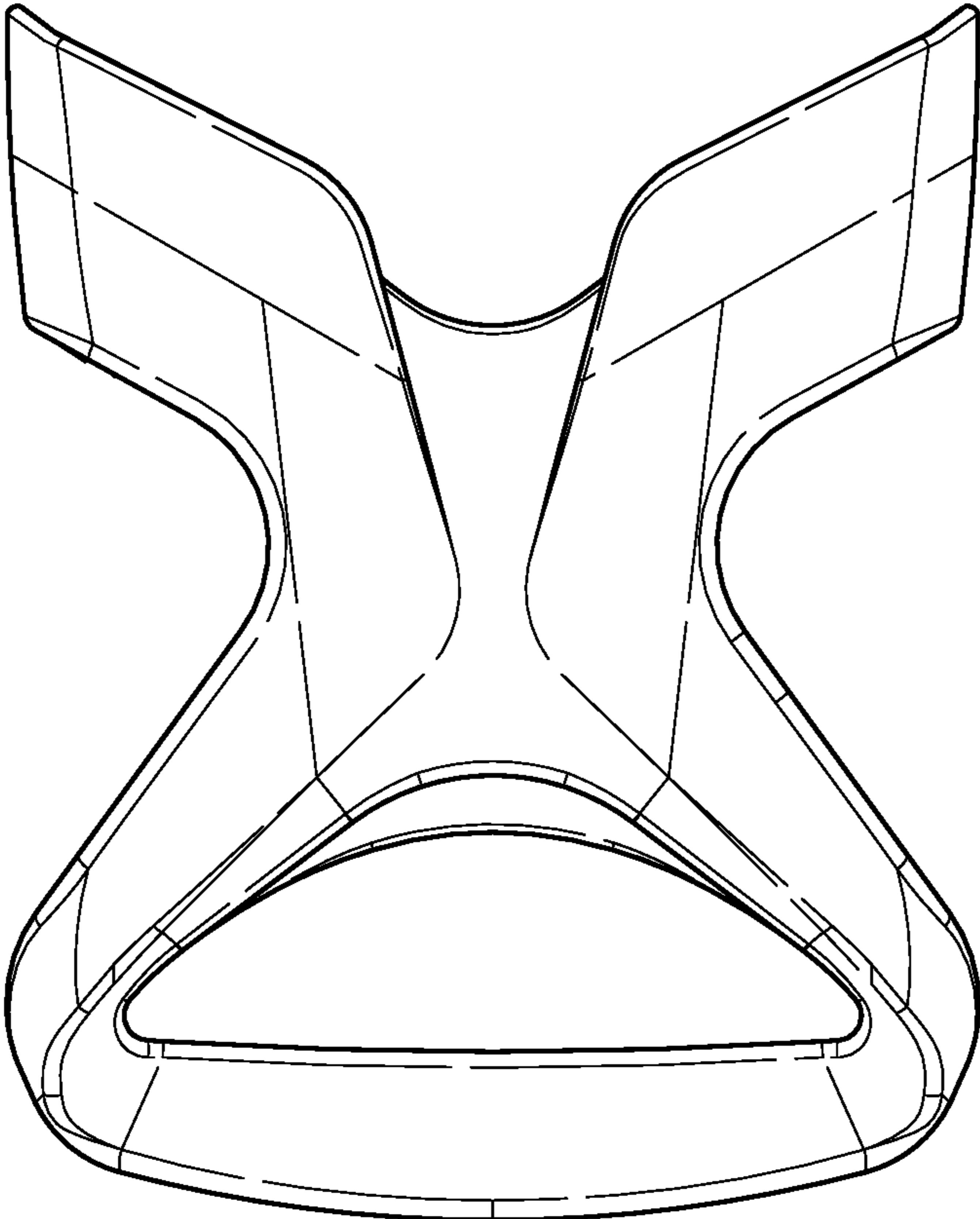


FIG. 9

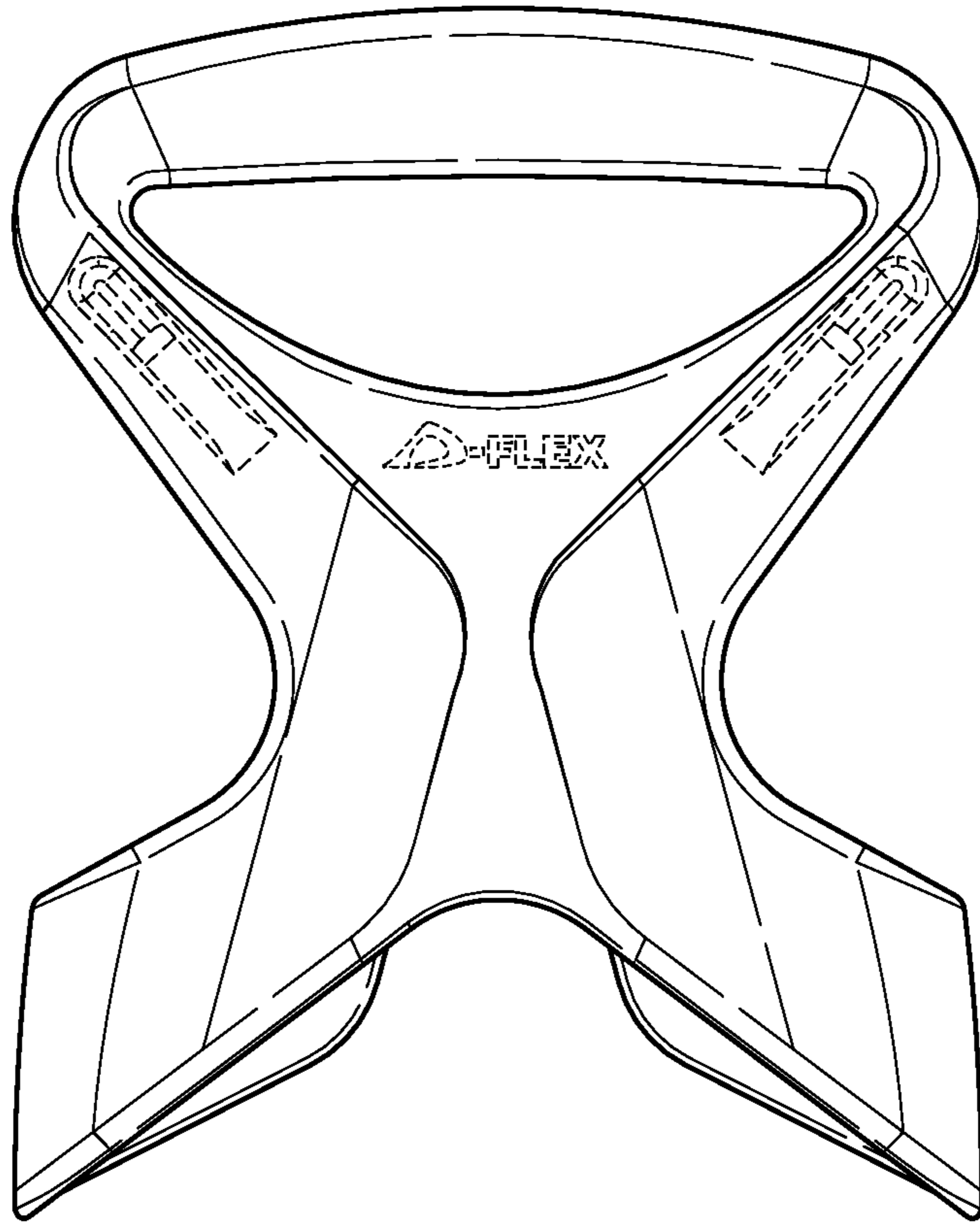


FIG. 10

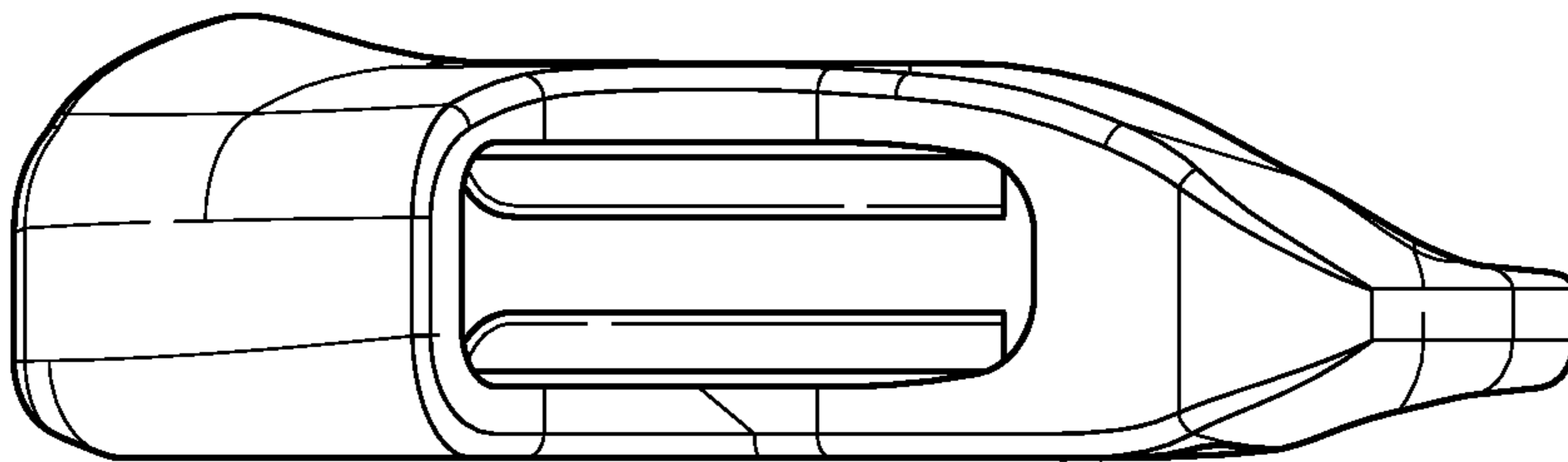


FIG. 11

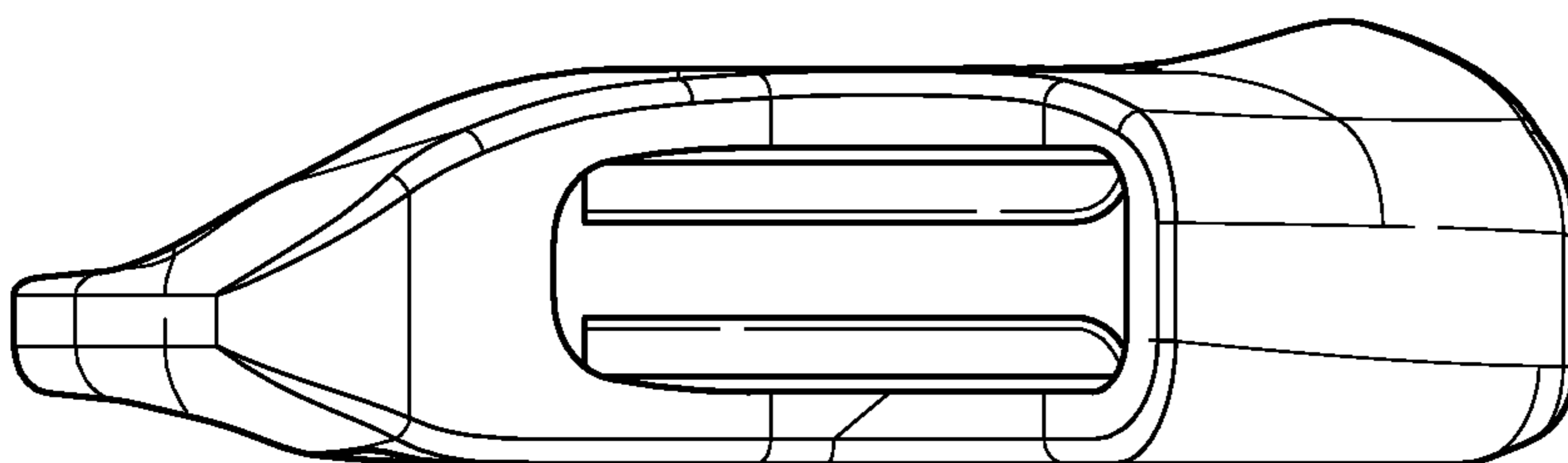


FIG. 12



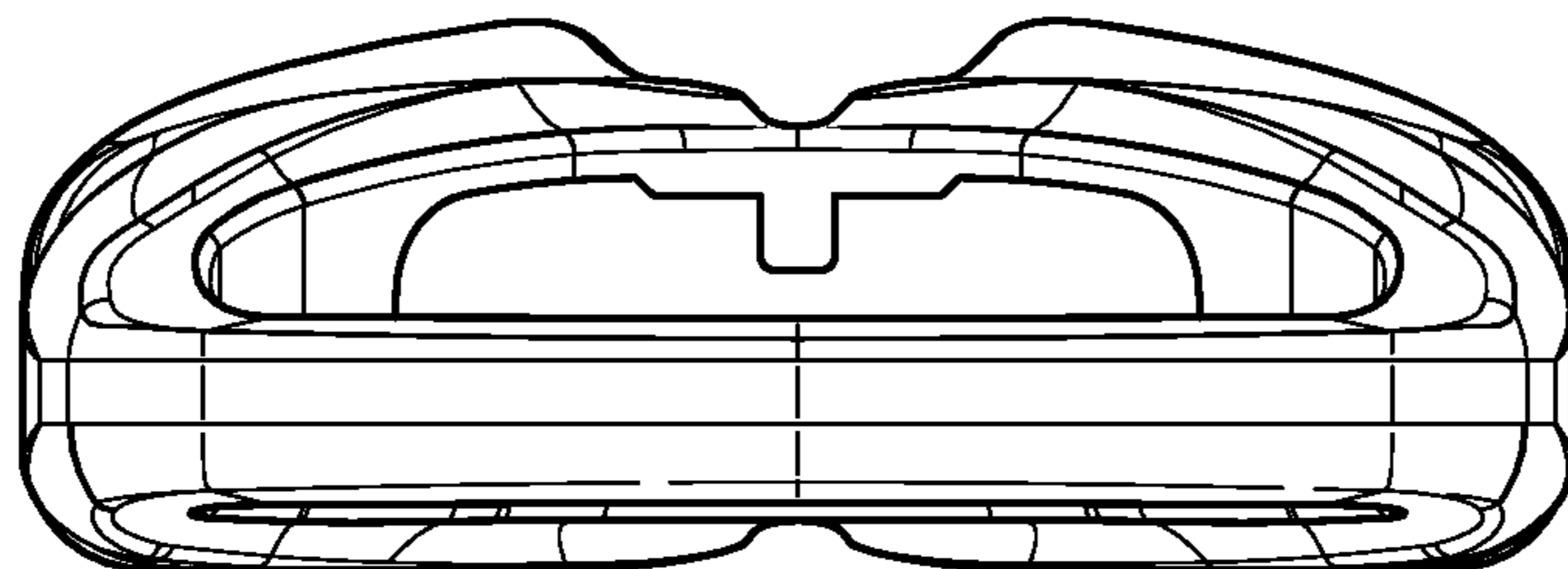


FIG. 13

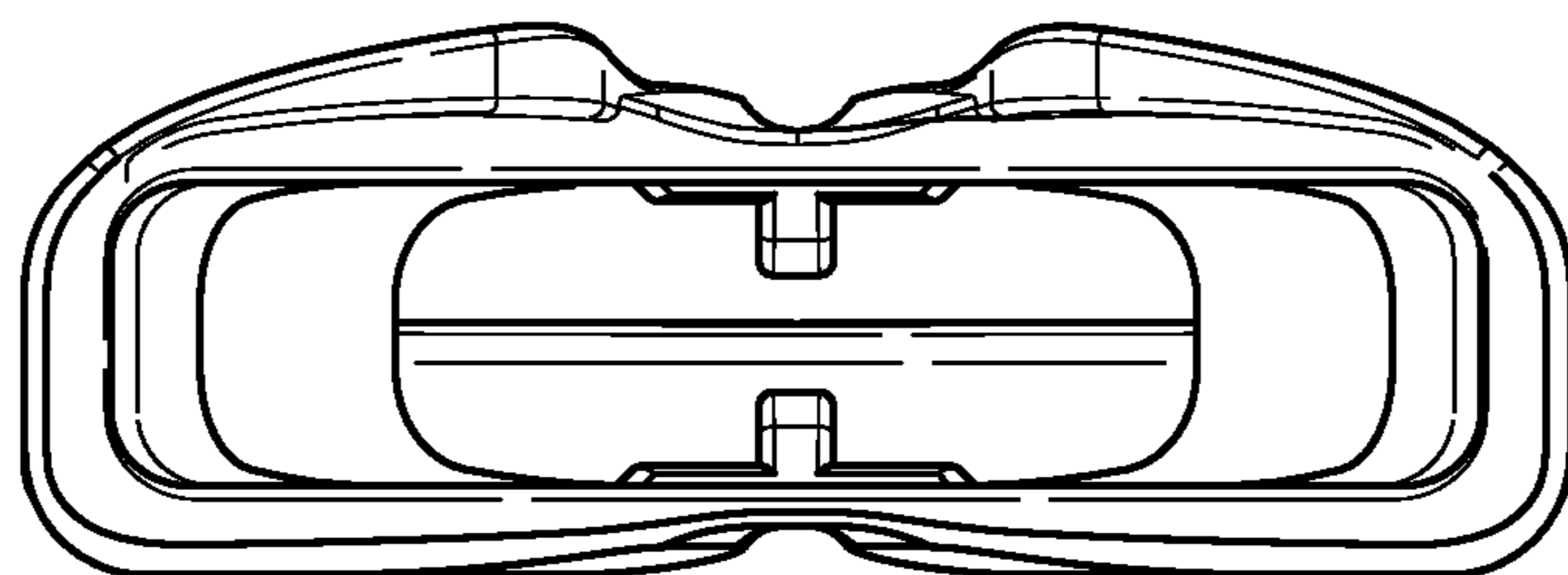


FIG. 14

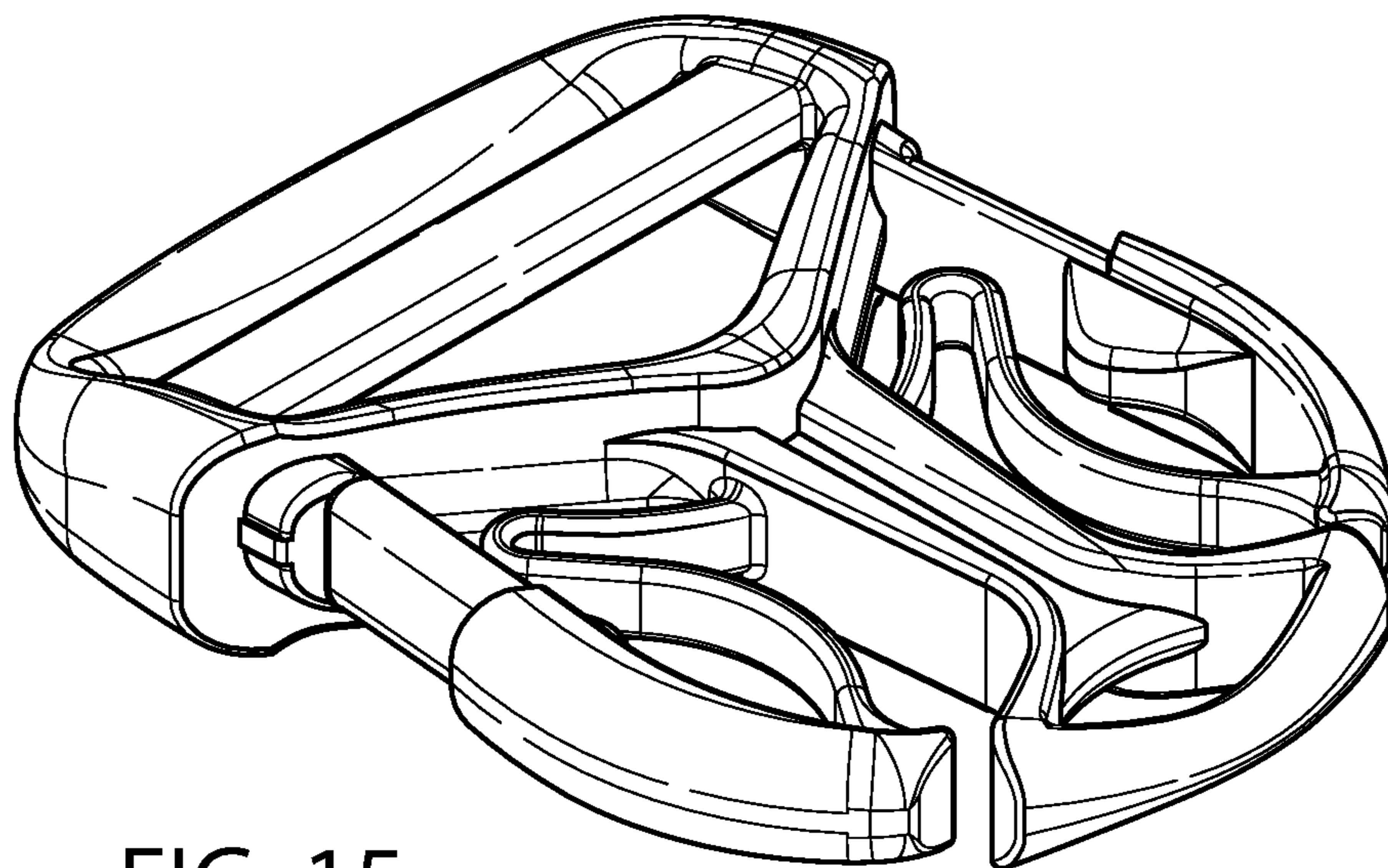


FIG. 15

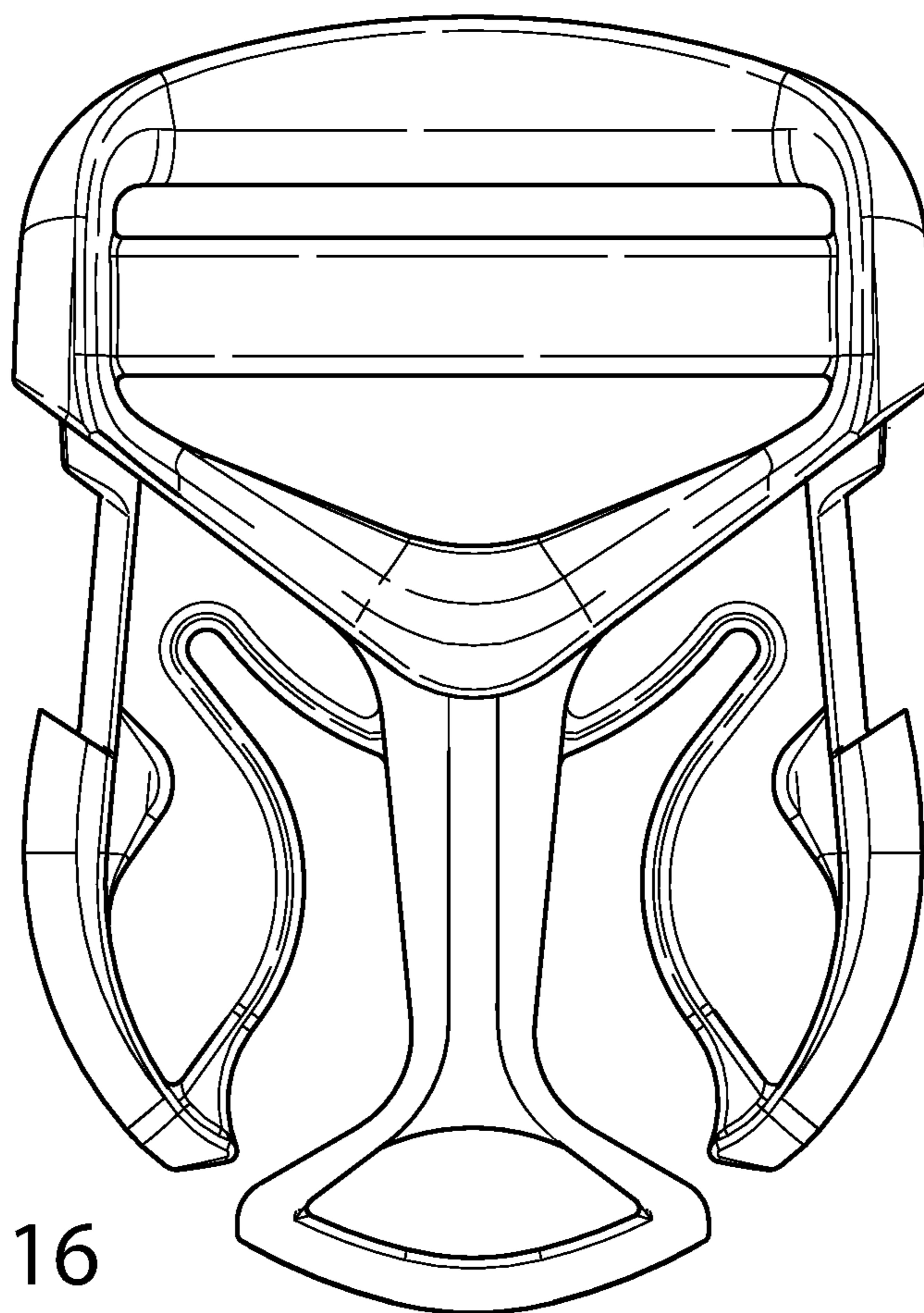


FIG. 16

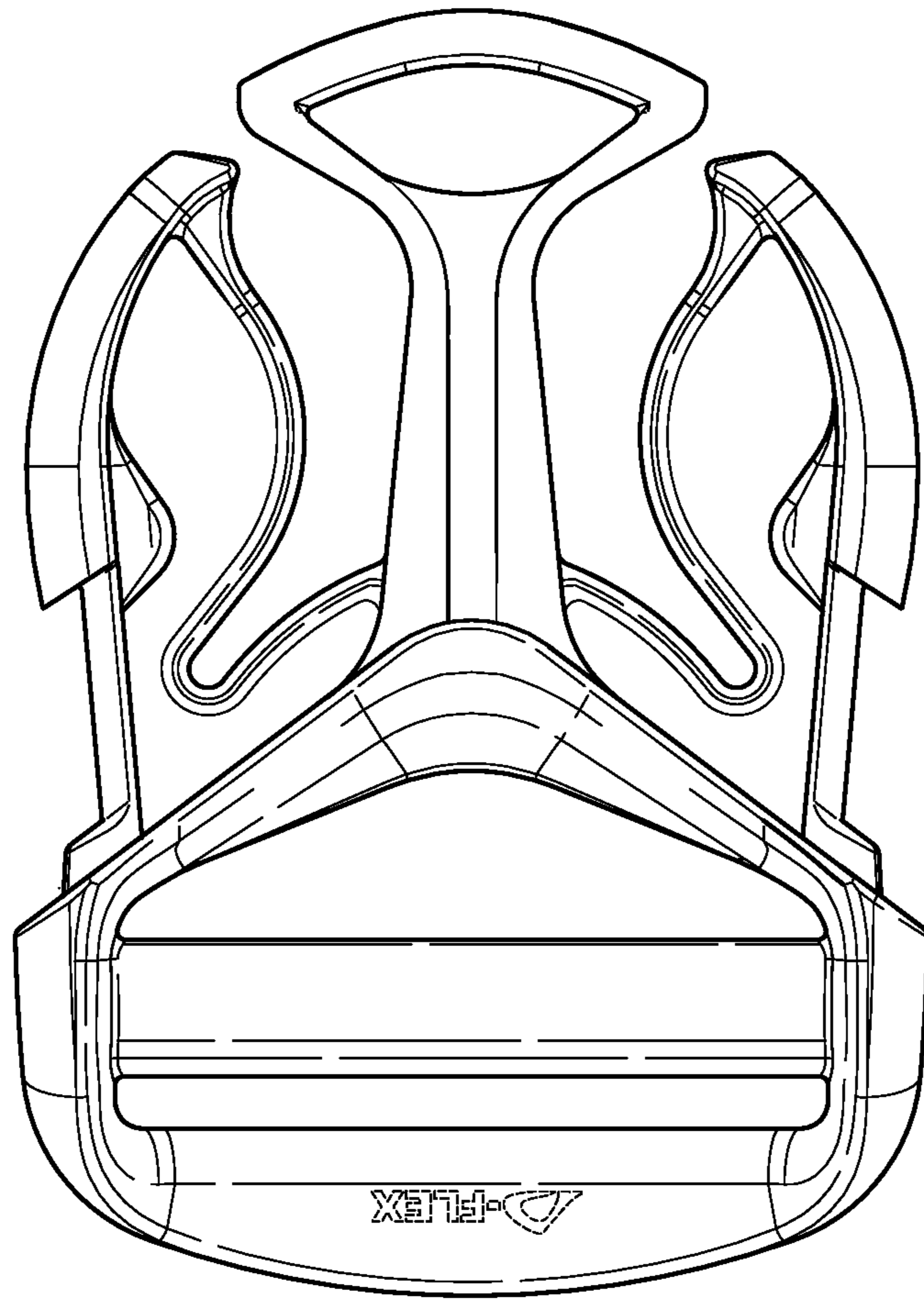


FIG. 17

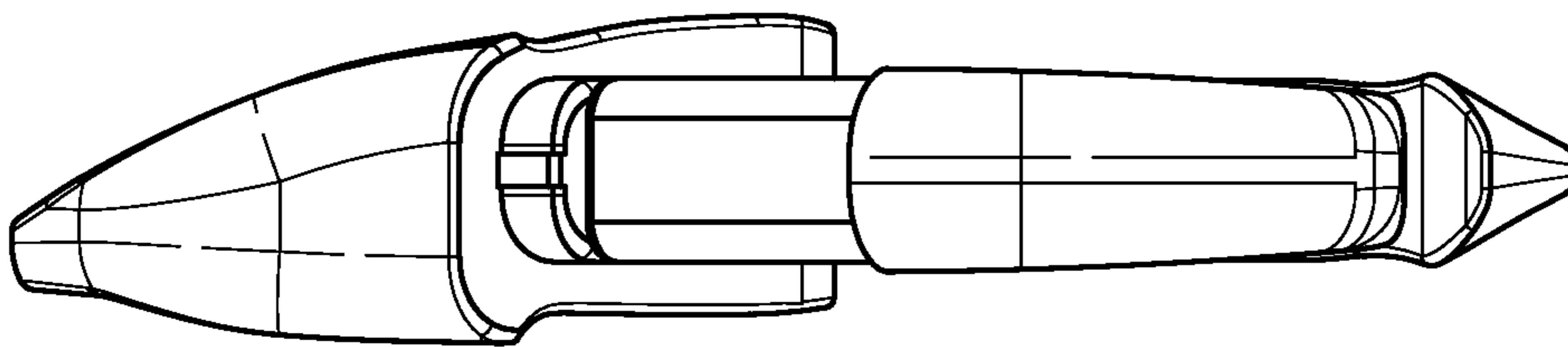


FIG. 18

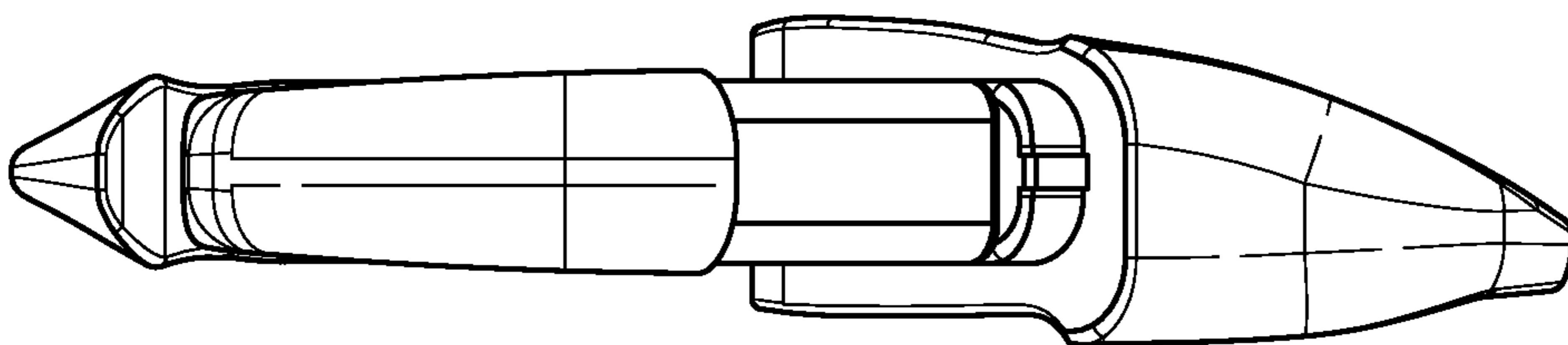


FIG. 19

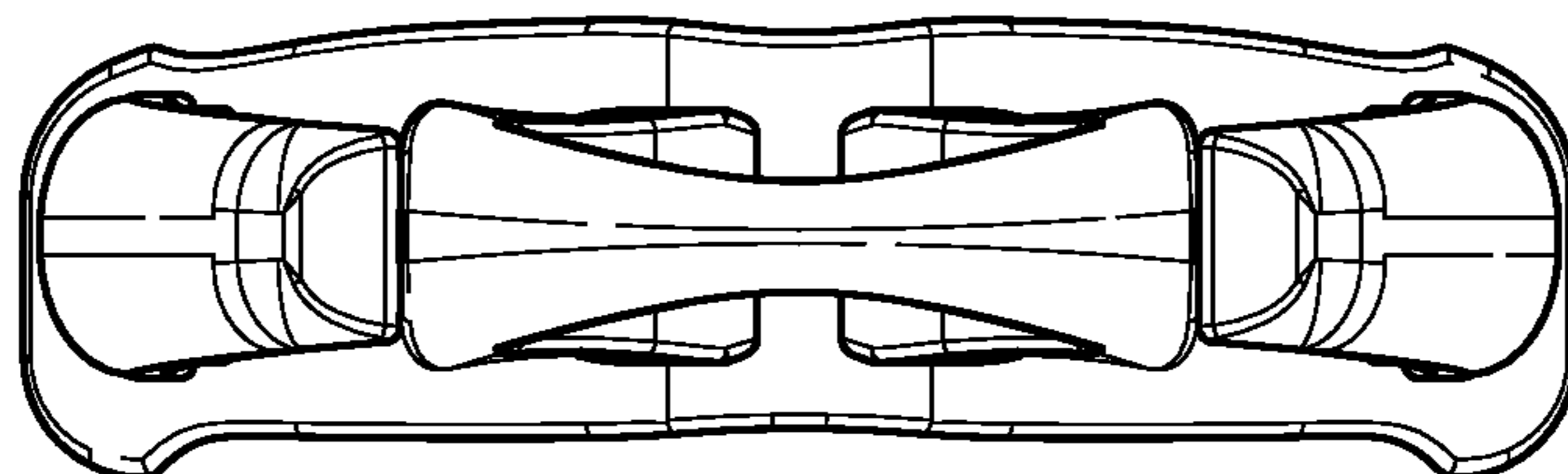


FIG. 20

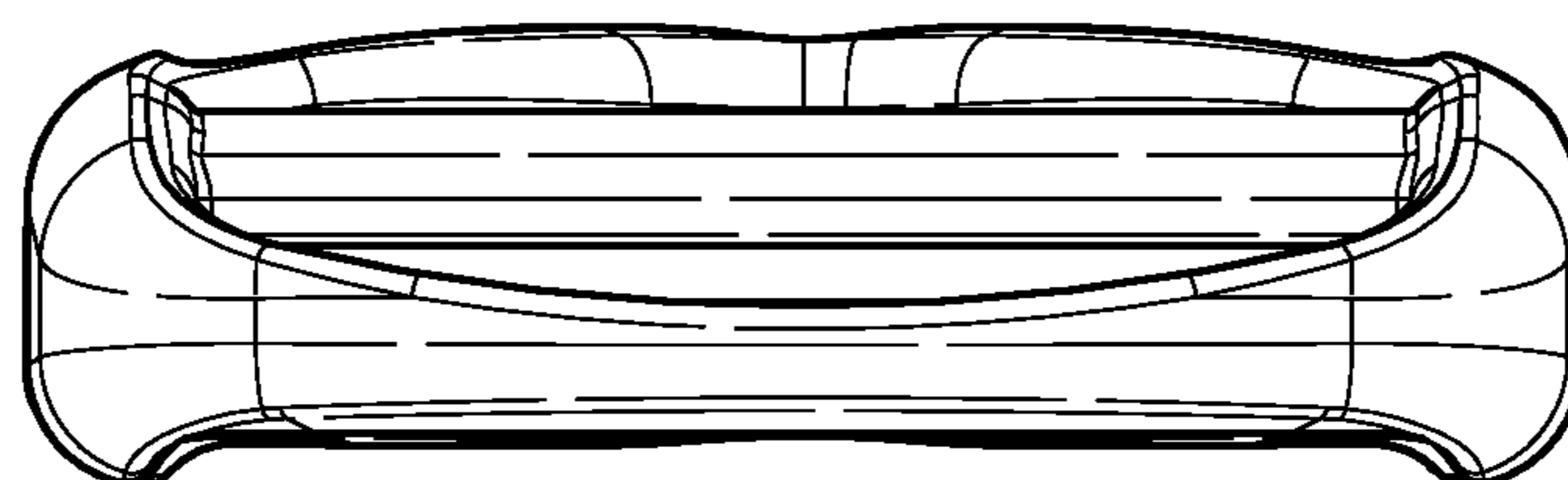


FIG. 21