

US00D877653S

(12) **United States Design Patent**
Lundell

(10) **Patent No.:** **US D877,653 S**
(45) **Date of Patent:** **** Mar. 10, 2020**

- (54) **PLANTER BLOCK**
- (71) Applicant: **Robert John Lundell**, Stillwater, MN (US)
- (72) Inventor: **Robert John Lundell**, Stillwater, MN (US)
- (73) Assignee: **KEYSTONE RETAINING WALL SYSTEMS LLC**, West Chester, OH (US)
- (**) Term: **15 Years**
- (21) Appl. No.: **29/617,987**
- (22) Filed: **Sep. 18, 2017**
- (51) **LOC (12) Cl.** **11-02**
- (52) **U.S. Cl.**
USPC **D11/155**
- (58) **Field of Classification Search**
USPC D25/114, 115, 116, 118, 119, 156, 105, D25/109, 113; D21/484, 499, 500, 505; D11/155
CPC . B28B 11/0863; B28B 17/0027; E02D 29/02; E02D 29/025; E02D 29/0266; E02D 29/0225; E02D 29/0233; E04C 1/00; E04C 1/395; E04C 1/41; E04B 1/02; E04B 1/04; E04B 1/41; E04F 13/0801; E04F 13/24; E04F 13/147
See application file for complete search history.

- 5,709,062 A * 1/1998 Woolford B28B 7/0097 52/604
- D405,543 S * 2/1999 Shillingburg D25/114
- 5,913,790 A 6/1999 Dawson
- D439,678 S * 3/2001 Blomquist D25/115
- D475,143 S * 5/2003 Hammer D25/118
- 6,615,561 B2 9/2003 MacDonald et al.
- D486,092 S * 2/2004 McDuffie D11/143
- 6,821,058 B1 * 11/2004 Dawson E02D 29/025 405/284
- D530,832 S * 10/2006 Rainey D25/114
- 7,168,892 B1 1/2007 MacDonald et al.
- 7,448,830 B2 11/2008 MacDonald et al.
- D587,382 S * 2/2009 Wauhop D25/113
- 7,654,776 B2 2/2010 MacDonald et al.
- 7,871,223 B2 1/2011 MacDonald et al.
- 7,963,727 B1 * 6/2011 Wauhop E02D 29/0266 405/284
- D647,218 S * 10/2011 MacDonald D25/113
- D647,219 S * 10/2011 MacDonald D25/113

(Continued)

Primary Examiner — Karen S Acker
Assistant Examiner — Steven B Reinholdt, Jr.
(74) *Attorney, Agent, or Firm* — Popovich, Wiles & O'Connell, P.A.

(57) **CLAIM**

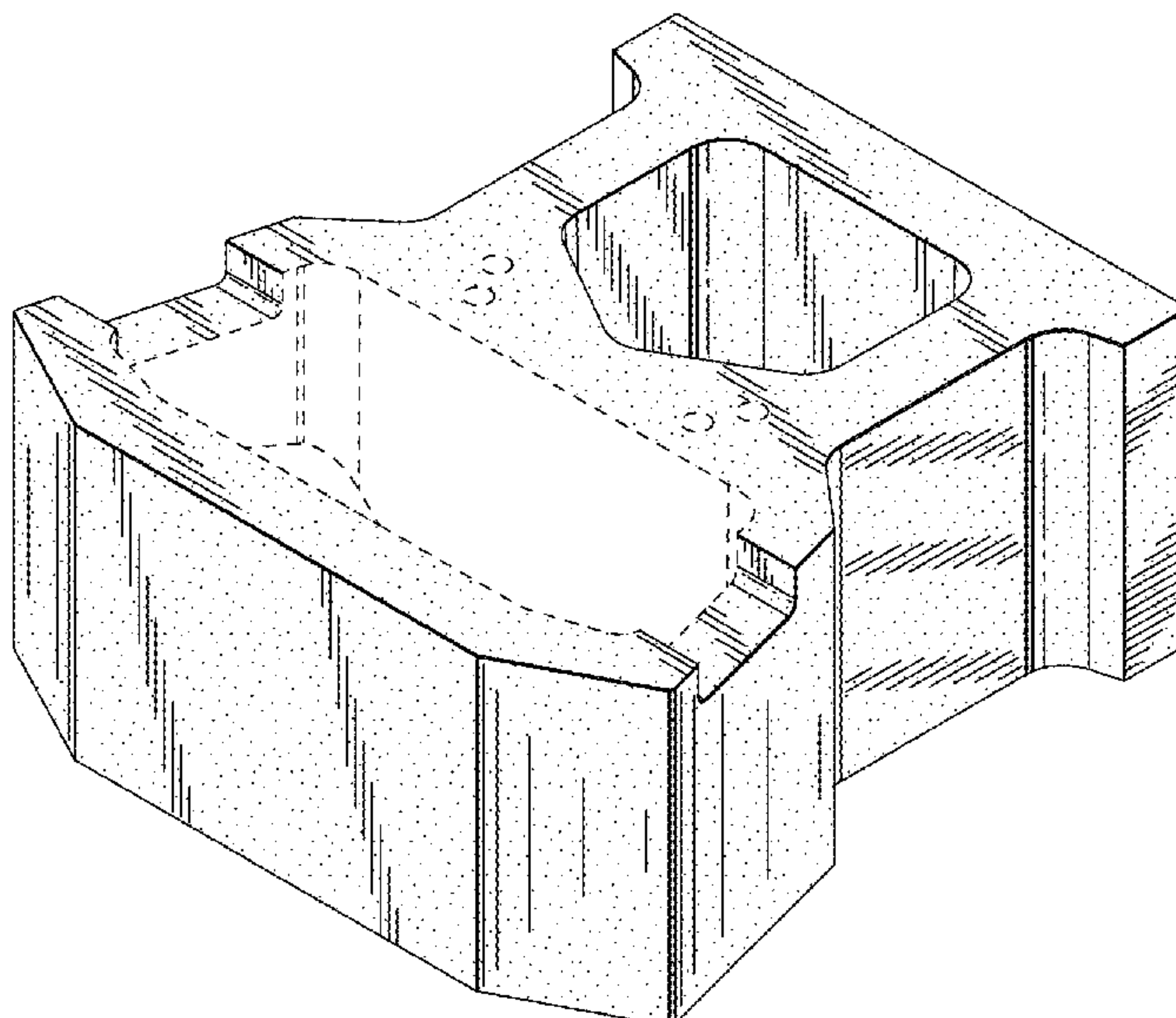
The ornamental design for a planter block, as shown and described.

DESCRIPTION

FIG. 1 is a top perspective view of a planter block;
FIG. 2 is a top plan view thereof;
FIG. 3 is a bottom plan view thereof;
FIG. 4 is a right side elevational view thereof;
FIG. 5 is a left side elevational view thereof;
FIG. 6 is a front side elevational view thereof; and,
FIG. 7 is a rear side elevational view thereof.
The broken lines in the figures depict portions of the planter block that form no part of the claimed design.

- (56) **References Cited**
U.S. PATENT DOCUMENTS
D255,787 S * 7/1980 Morehead, Jr. 405/286
D296,365 S * 6/1988 Forsberg D25/116
D298,463 S * 11/1988 Forsberg D25/114
D300,253 S * 3/1989 Forsberg D25/114
5,601,384 A 2/1997 Dawson
5,704,183 A * 1/1998 Woolford B28B 7/0097 405/284

1 Claim, 7 Drawing Sheets



(56)

References Cited

U.S. PATENT DOCUMENTS

D650,918 S *	12/2011	Hammer	D25/113	8,622,659 B2	1/2014	Friederichs et al.	
D659,263 S *	5/2012	Jacot	D25/113	D708,765 S *	7/2014	MacDonald D25/113
D663,858 S *	7/2012	MacDonald	D25/113	9,028,175 B2	5/2015	Friederichs et al.	
D666,740 S	9/2012	MacDonald et al.			D731,352 S *	6/2015	Howard D11/155
D666,741 S	9/2012	MacDonald et al.			D763,365 S *	8/2016	Ting D21/501
D667,139 S	9/2012	MacDonald			D812,781 S *	3/2018	MacDonald D25/114
D667,140 S	9/2012	MacDonald			D844,857 S *	4/2019	Pegg D25/114
D667,566 S *	9/2012	MacDonald	D25/113	D846,760 S *	4/2019	Lundell D25/114
D671,657 S *	11/2012	MacDonald	D25/113	2003/0086764 A1 *	5/2003	Knudson E02D 29/025 405/284
D672,886 S	12/2012	MacDonald			2009/0013638 A1 *	1/2009	Clarno E04C 1/395 52/745.09
D672,887 S	12/2012	MacDonald			2011/0072753 A1 *	3/2011	MacDonald E02D 29/025 52/562
D685,502 S *	7/2013	MacDonald	D25/113	2011/0078978 A1 *	4/2011	Wauhopp B28B 11/0863 52/745.19
D688,812 S *	8/2013	MacDonald	D25/114	2011/0243669 A1 *	10/2011	Friederichs E02D 29/025 405/284
D688,813 S *	8/2013	MacDonald	D25/114	2018/0023303 A1 *	1/2018	MacDonald E04F 13/0801 52/386
D688,816 S *	8/2013	MacDonald	D25/114				
D689,203 S *	9/2013	MacDonald	D25/114				
D689,204 S *	9/2013	MacDonald	D25/114				
D694,914 S *	12/2013	MacDonald	D25/113				

* cited by examiner

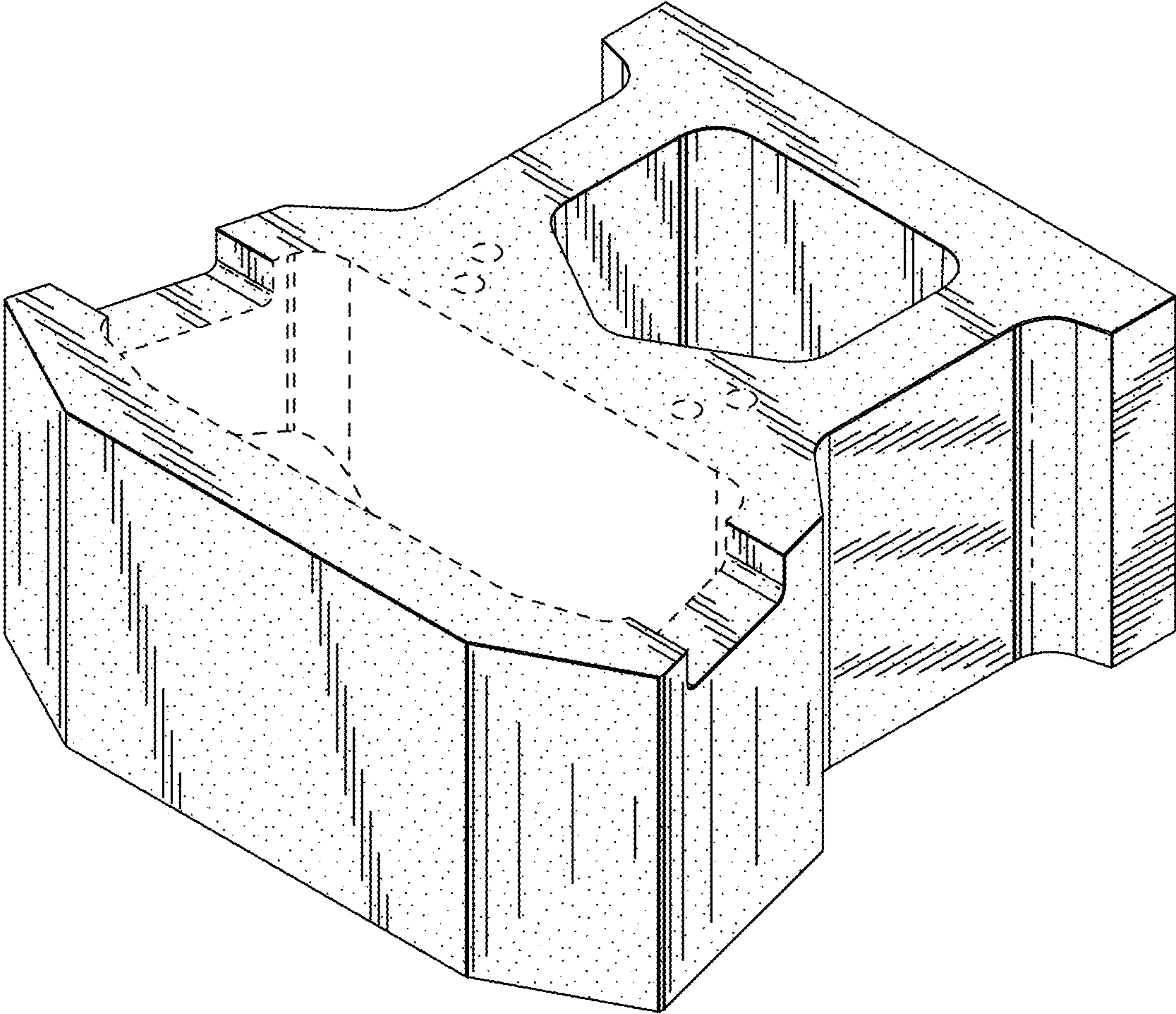


FIG. 1

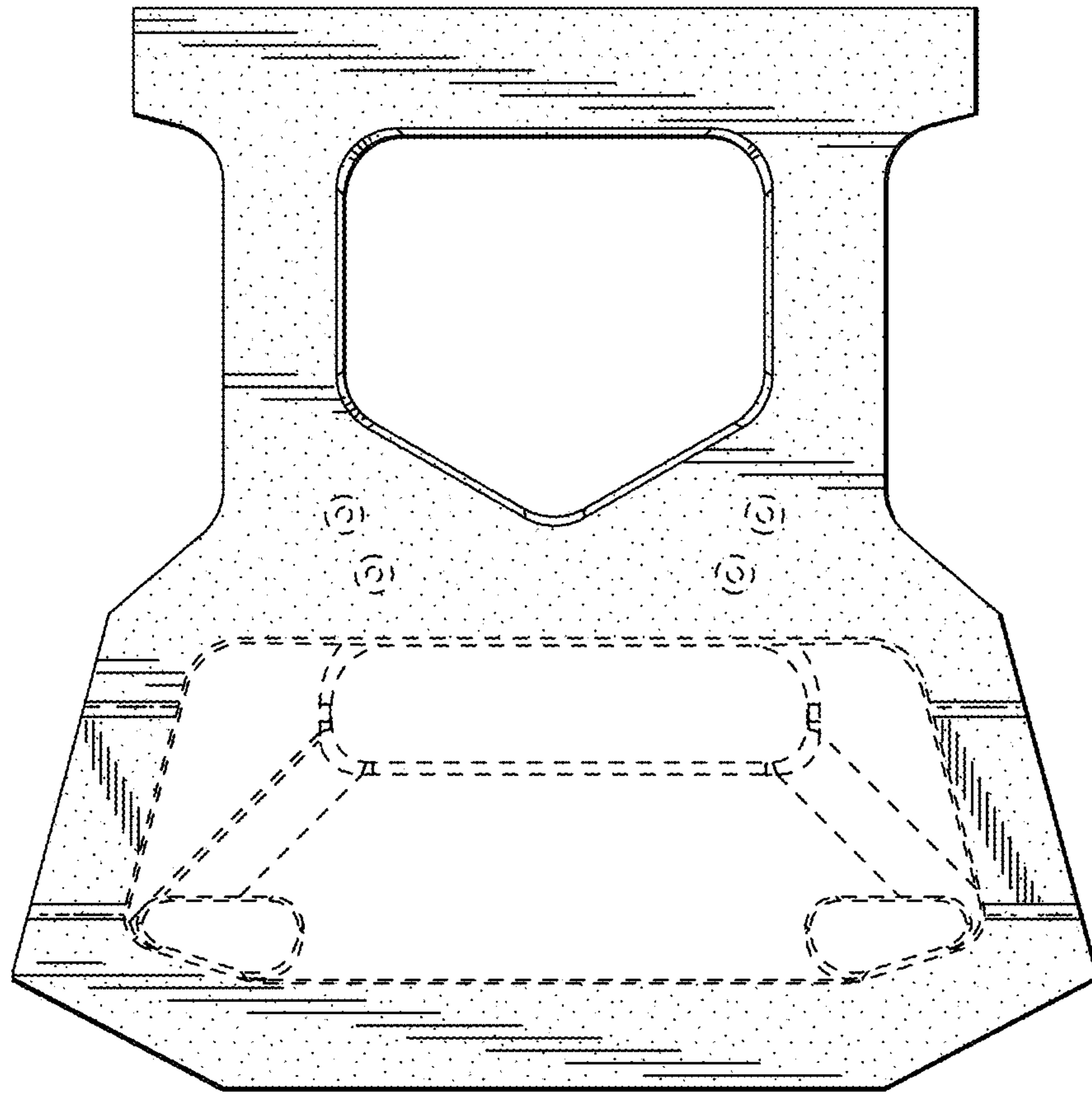


FIG. 2

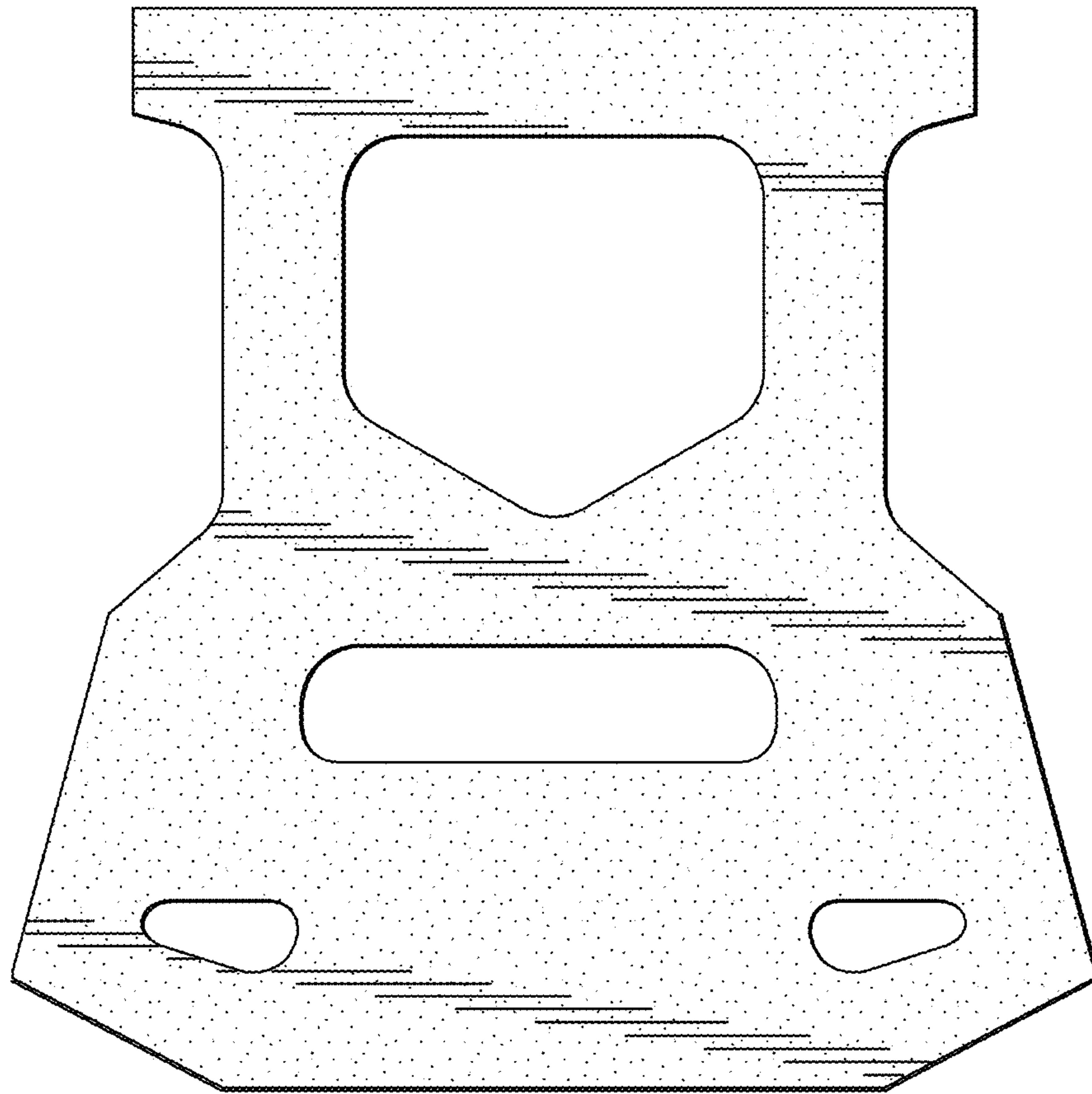


FIG. 3

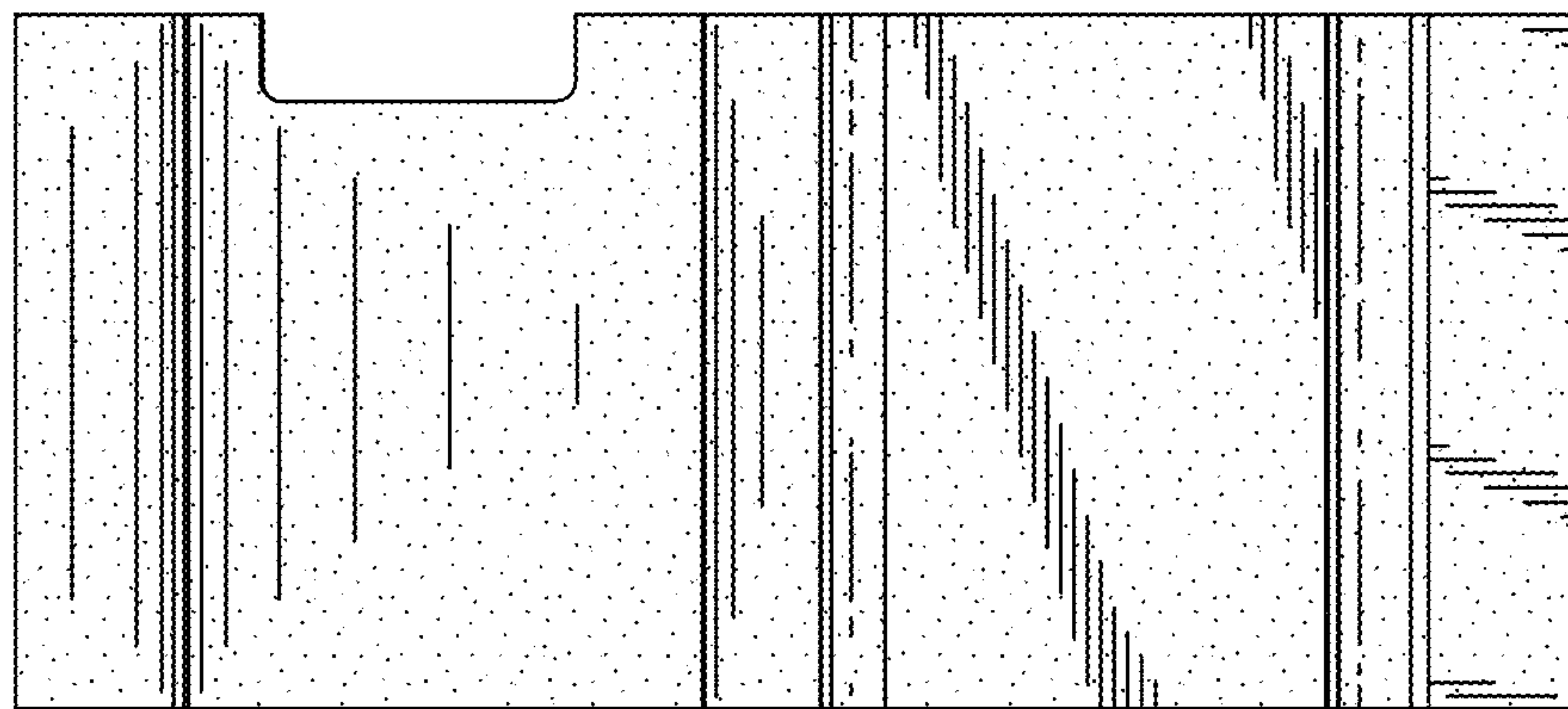


FIG. 4

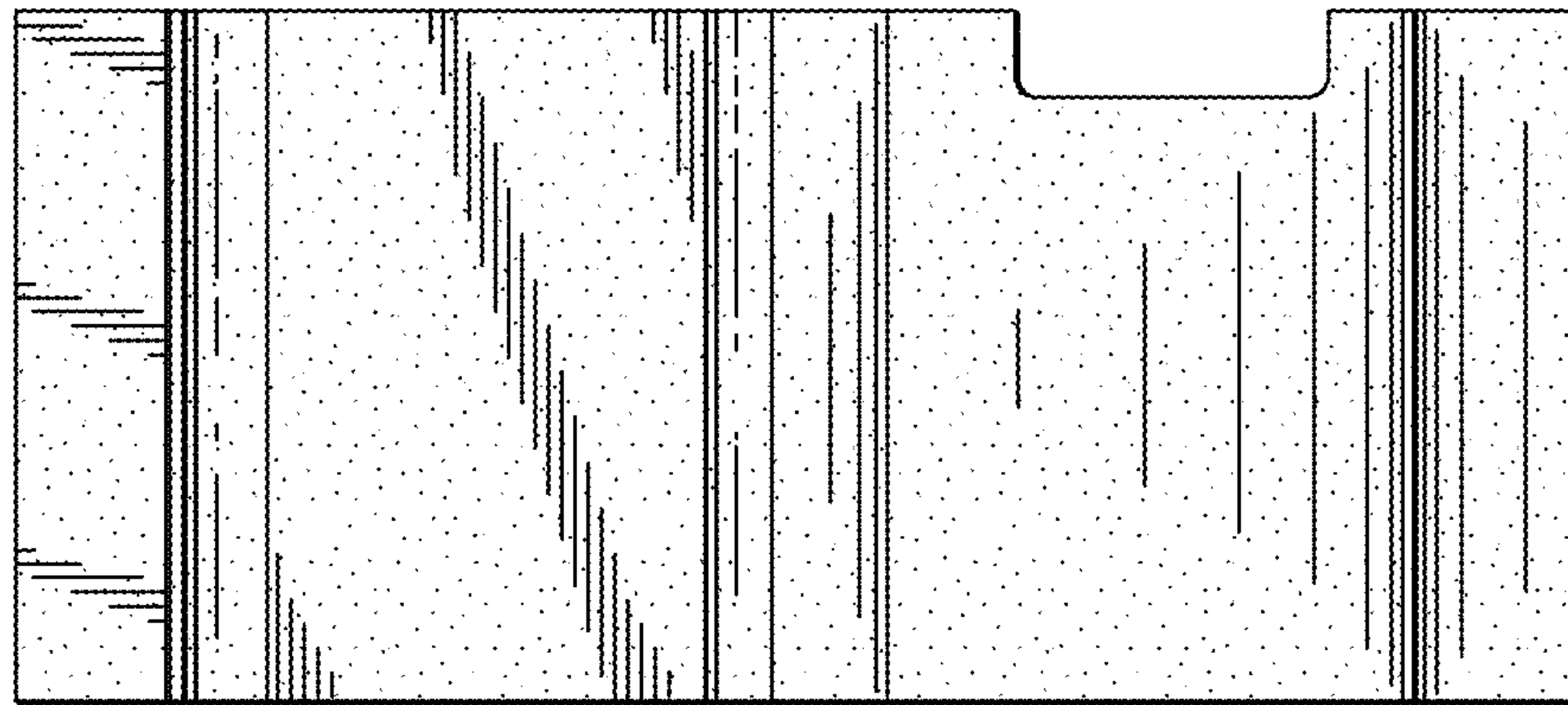


FIG. 5

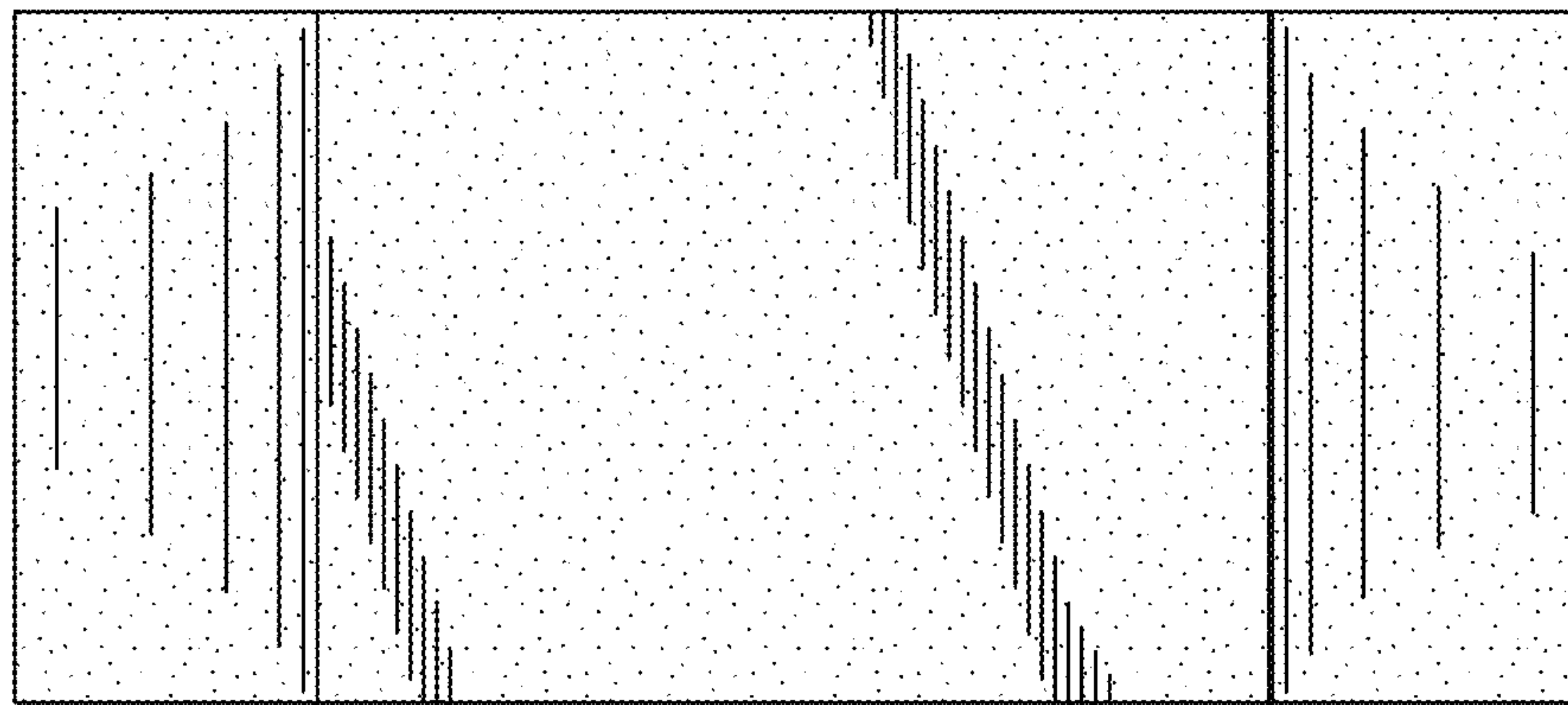


FIG. 6

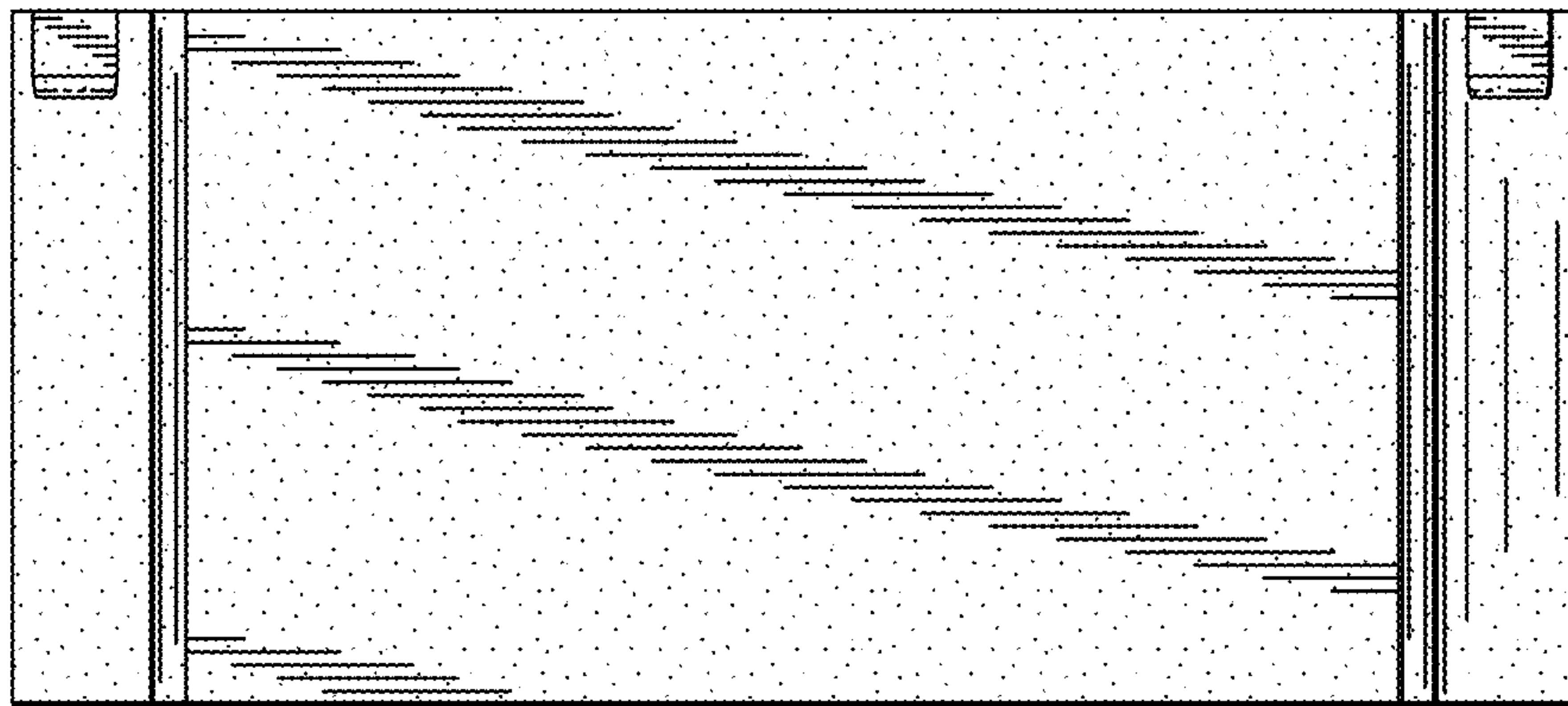


FIG. 7