



US00D877652S

(12) **United States Design Patent**
Hung et al.

(10) **Patent No.:** **US D877,652 S**
(45) **Date of Patent:** **** Mar. 10, 2020**

(54) **PLANTER PACKAGE**

(71) Applicant: **ATT Southern, Inc.**, Camp Hill, PA (US)

(72) Inventors: **Chun Hung**, Dillsburg, PA (US); **Brian Leahy**, Atlanta, GA (US); **Patrick Guillory**, Smyrna, GA (US); **Phillip Lemke**, Schuylkill Haven, PA (US)

(73) Assignee: **ATT Southern, Inc.**, Camp Hill, PA (US)

(**) Term: **15 Years**

(21) Appl. No.: **29/670,368**

(22) Filed: **Nov. 15, 2018**

Related U.S. Application Data

(62) Division of application No. 29/567,117, filed on Jun. 6, 2016, now Pat. No. Des. 837,094.

(51) **LOC (12) Cl.** **11-02**

(52) **U.S. Cl.**
USPC **D11/152**

(58) **Field of Classification Search**
USPC D11/143-156, 164; D6/403-405, D6/556-558; D9/655, 659, 651-653, D9/414, 416, 428, 431, 432, 456; 47/84, 47/65.5; 206/423
CPC A01G 9/02; B65D 5/00; B65D 5/008
See application file for complete search history.

(56) **References Cited**

U.S. PATENT DOCUMENTS

1,059,359 A	4/1913	Hahn
1,116,694 A	11/1914	Hahn
3,414,132 A	12/1968	Cornu
D232,753 S	9/1974	Jalakas
D238,088 S	12/1975	Grosfillex

5,141,149 A	8/1992	Fulton	
D340,204 S	10/1993	Grosfillex	
D346,135 S *	4/1994	Carlson	D11/153
D376,769 S	12/1996	Kreidler	
D392,914 S	3/1998	Friend	
D399,456 S	10/1998	Weder et al.	
D402,229 S *	12/1998	Christensen	D11/155
D428,360 S	7/2000	Herzog-Mesrobian	
D438,487 S	3/2001	Madden, IV	
D455,979 S *	4/2002	Salenger	D11/155
6,422,390 B1	7/2002	Humphrey	
6,516,563 B1	2/2003	Matthews	
D480,326 S	10/2003	Carlson	
D491,061 S	6/2004	Bouroullec et al.	

(Continued)

Primary Examiner — Susan Bennett Hattan

Assistant Examiner — Rebecca Tsehaye

(74) *Attorney, Agent, or Firm* — Brooks Kushman P.C.

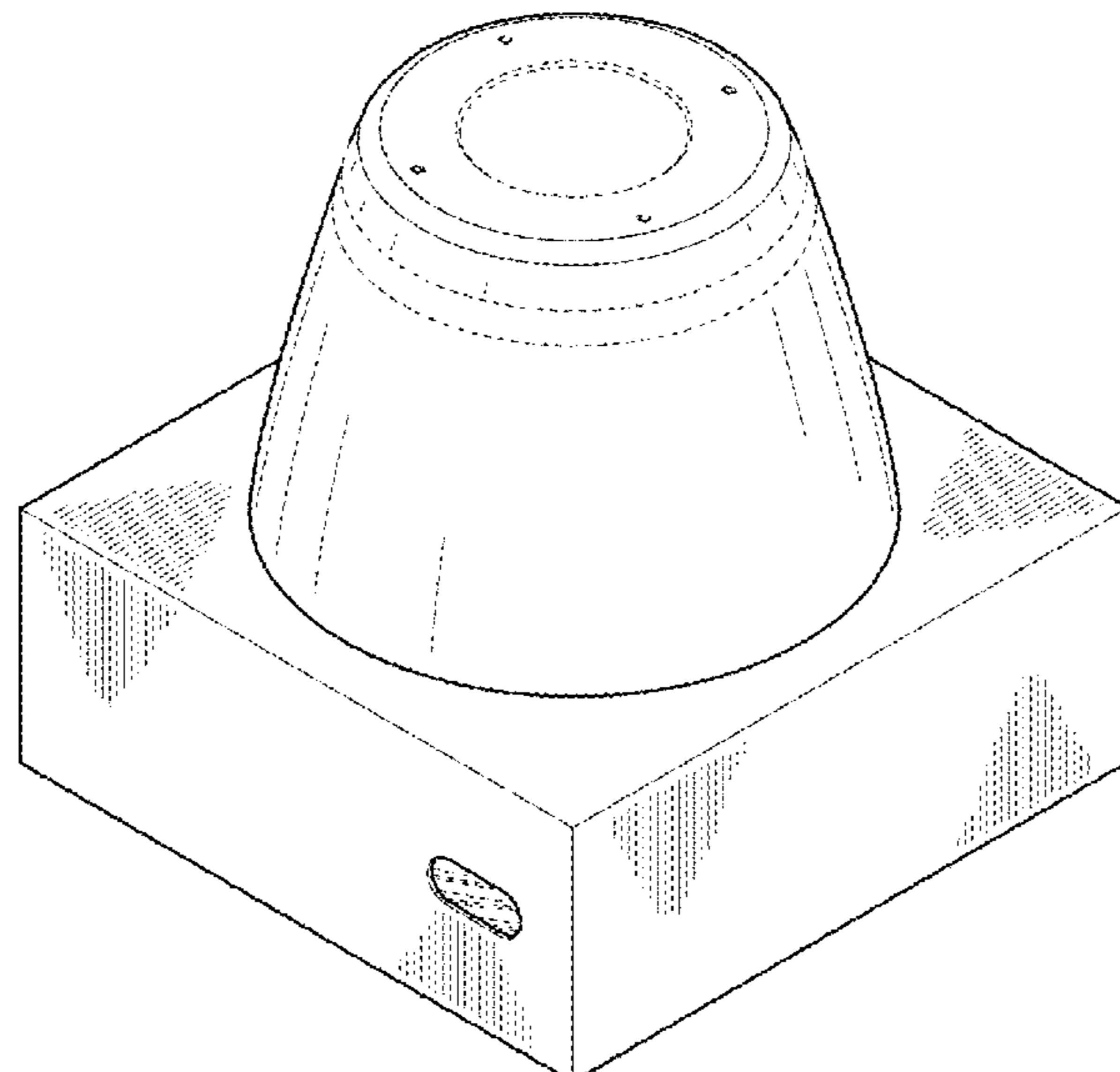
(57) **CLAIM**

The ornamental design for a planter package, as shown and described.

DESCRIPTION

FIG. 1 is a top perspective view of a planter package; FIG. 2 is a bottom perspective view of the planter package of FIG. 1; FIG. 3 is a front side elevation view of the planter package of FIG. 1, wherein FIG. 3 is also a rear side elevation view of the planter package of FIG. 1, and a rear side elevation view of the planter package of FIG. 1 is a mirror image of FIG. 3; FIG. 4 is a left side elevation view and a right side elevation view of the planter package of FIG. 1; FIG. 5 is a top plan view of the planter package of FIG. 1; and, FIG. 6 is a bottom view of the planter package of FIG. 1. The broken lines in the drawings depict portions of the planter package that form no part of the claimed design.

1 Claim, 3 Drawing Sheets



(56)

References Cited

U.S. PATENT DOCUMENTS

D532,715	S	11/2006	Schmidt	
7,140,149	B2	11/2006	Searle et al.	
D570,245	S *	6/2008	McAbee	D11/131
D571,688	S *	6/2008	White	D11/155
D686,913	S	7/2013	Kirk et al.	
D688,589	S *	8/2013	Hung	D11/148
D689,793	S	9/2013	Yung	
D702,548	S	4/2014	Flury	
D724,481	S *	3/2015	Blouin	D11/155
8,985,329	B2 *	3/2015	Ullrich	B65D 5/503 206/423
D745,428	S	12/2015	Morris	
D763,105	S *	8/2016	Forowycz	D9/759
9,586,739	B2	3/2017	Jego	
D801,213	S *	10/2017	Kim	D11/155
D808,080	S *	1/2018	Corey	D28/85
D817,221	S *	5/2018	Stowe	D11/148
D837,094	S *	1/2019	Hung	D11/152
D853,234	S *	7/2019	Aziz	D9/432
2005/0072704	A1	4/2005	Patz et al.	
2013/0036669	A1	2/2013	Rabii et al.	

* cited by examiner

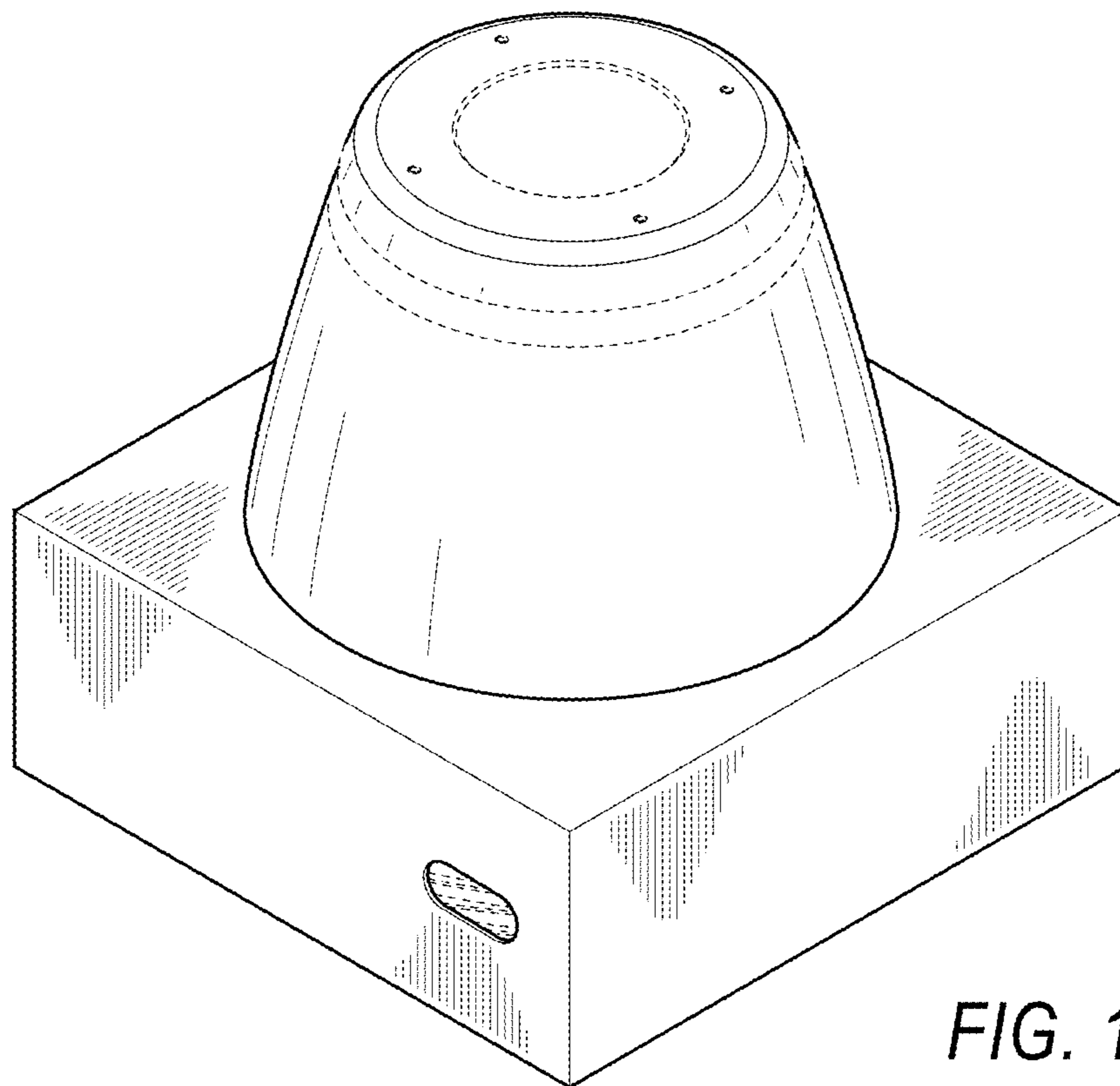


FIG. 1

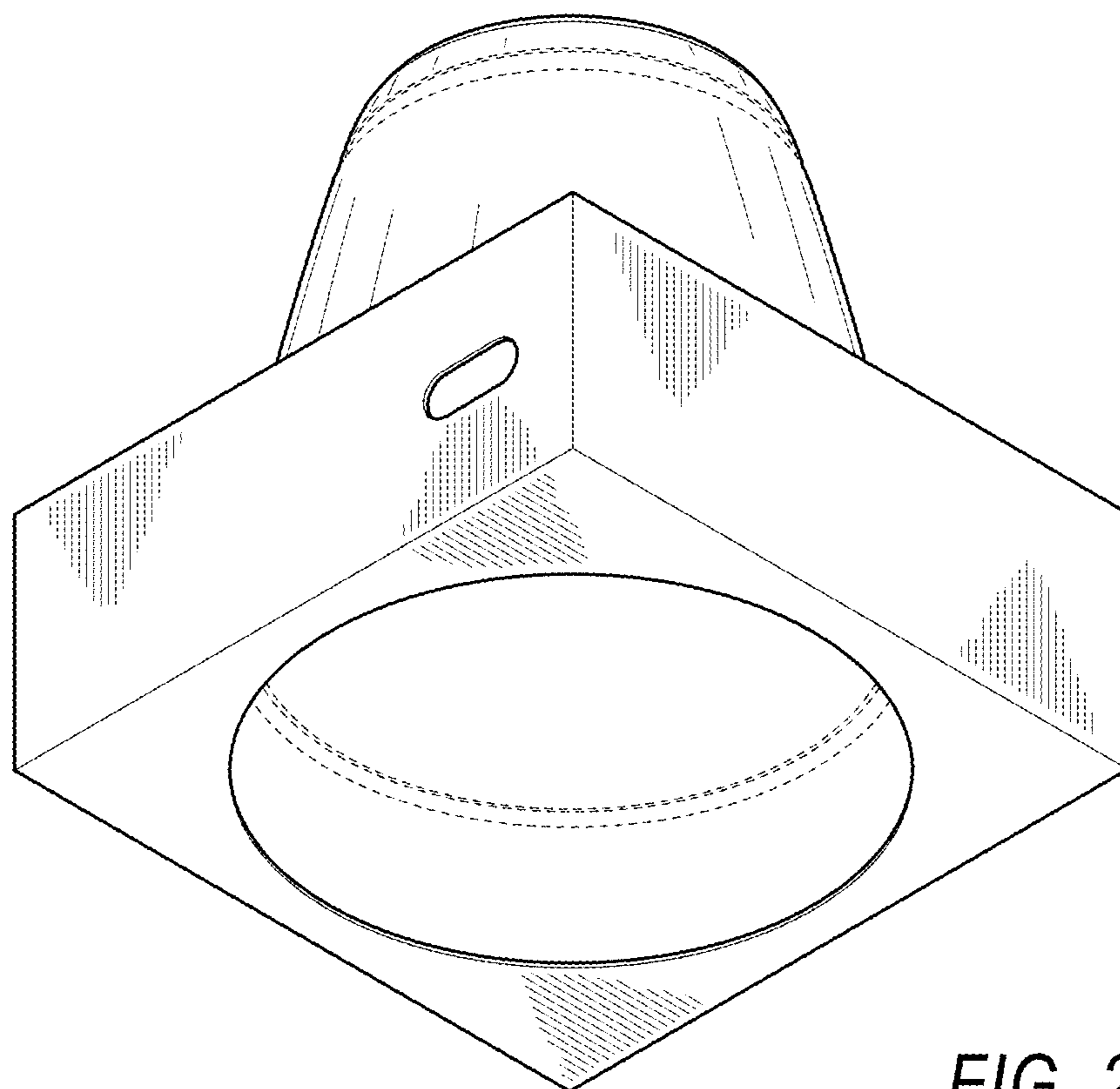


FIG. 2

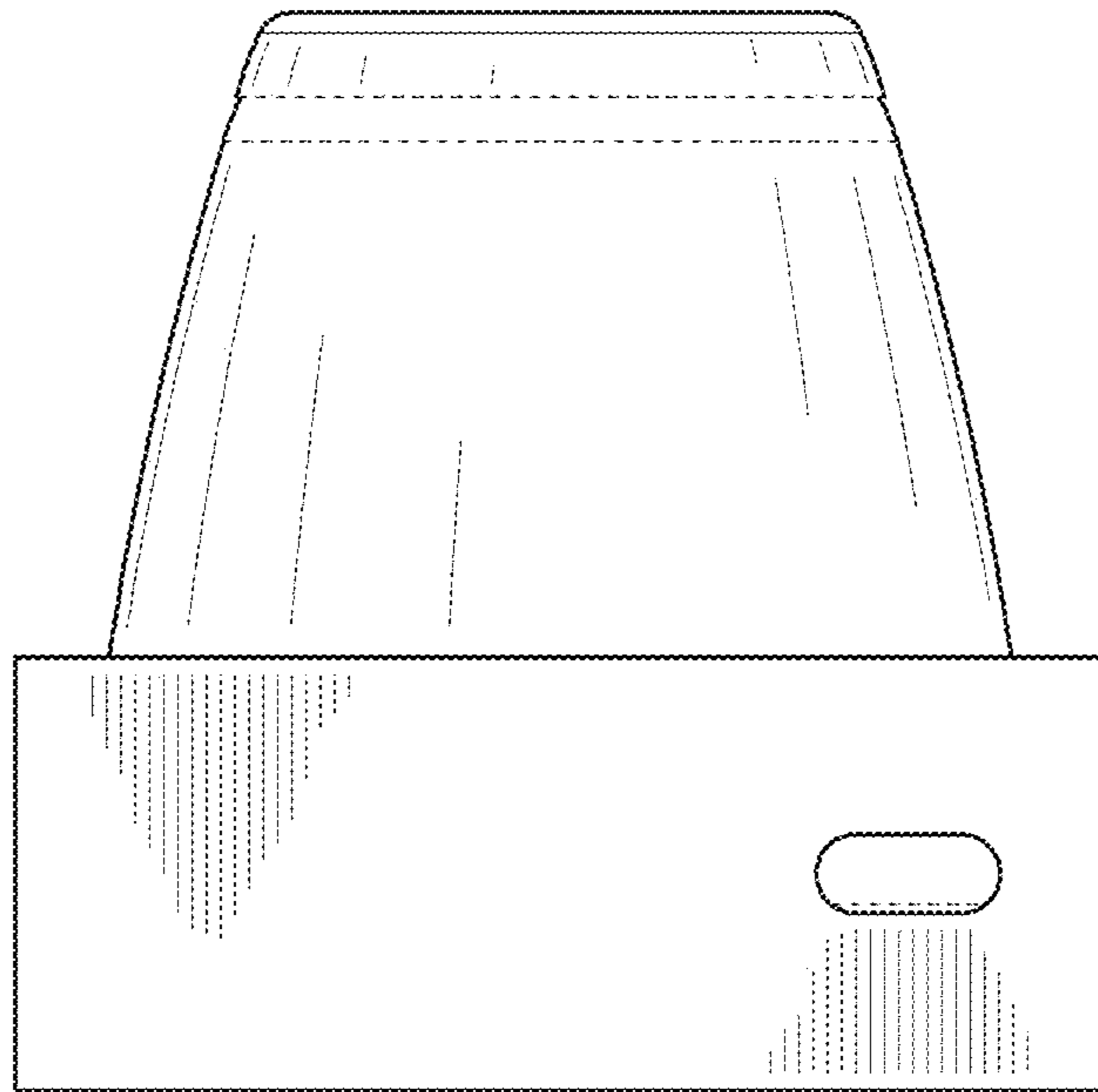


FIG. 3

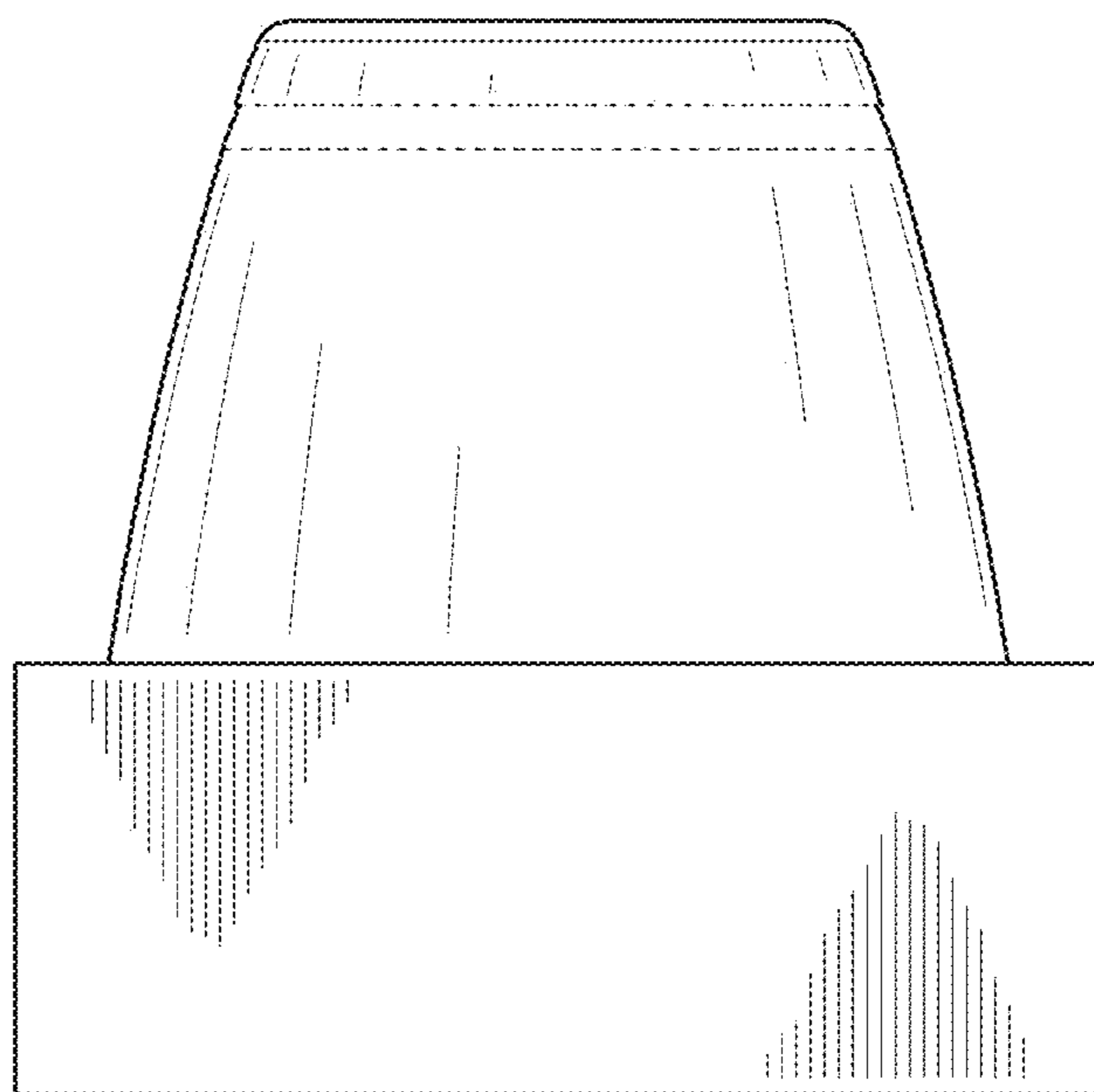


FIG. 4

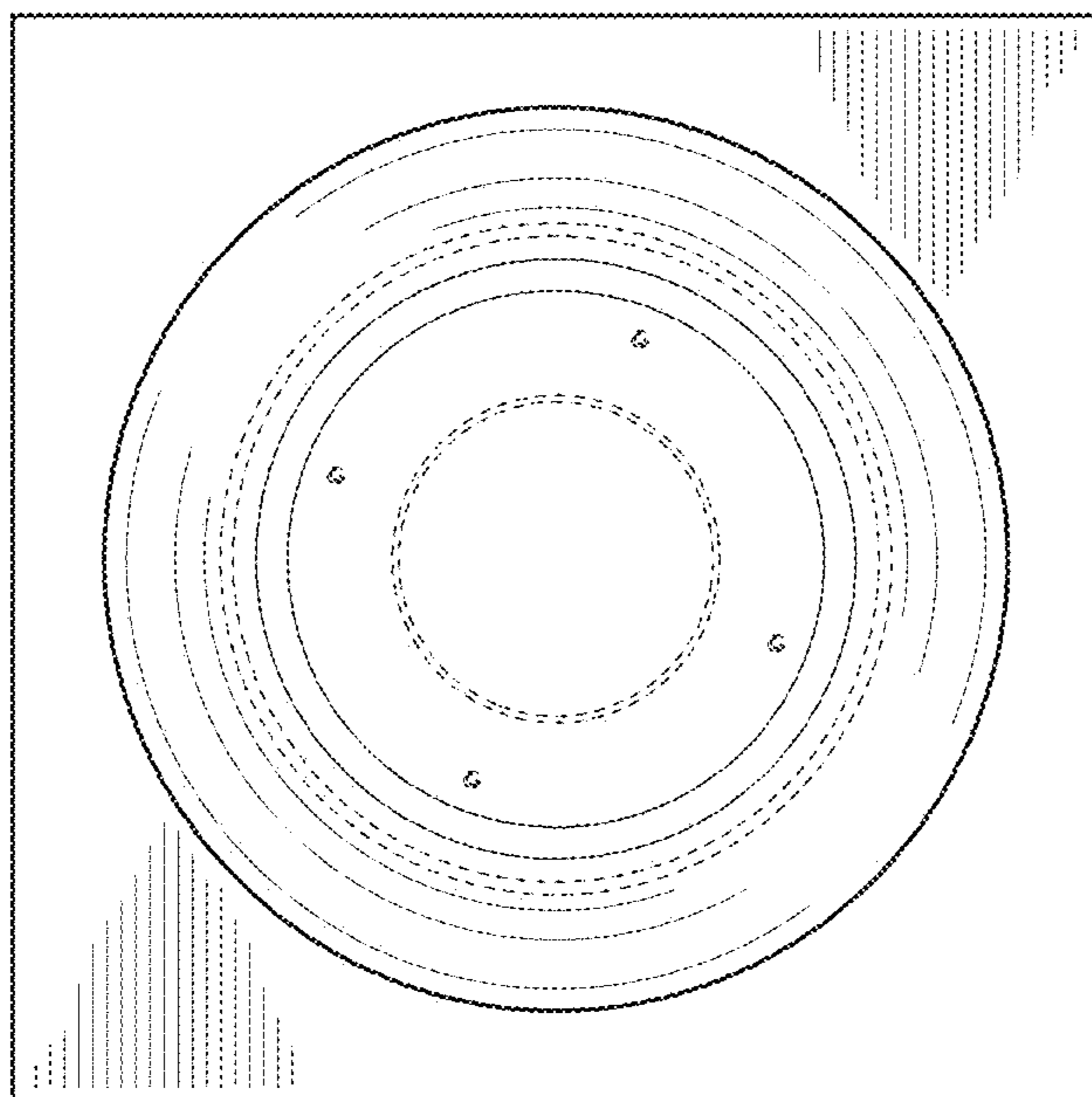


FIG. 5

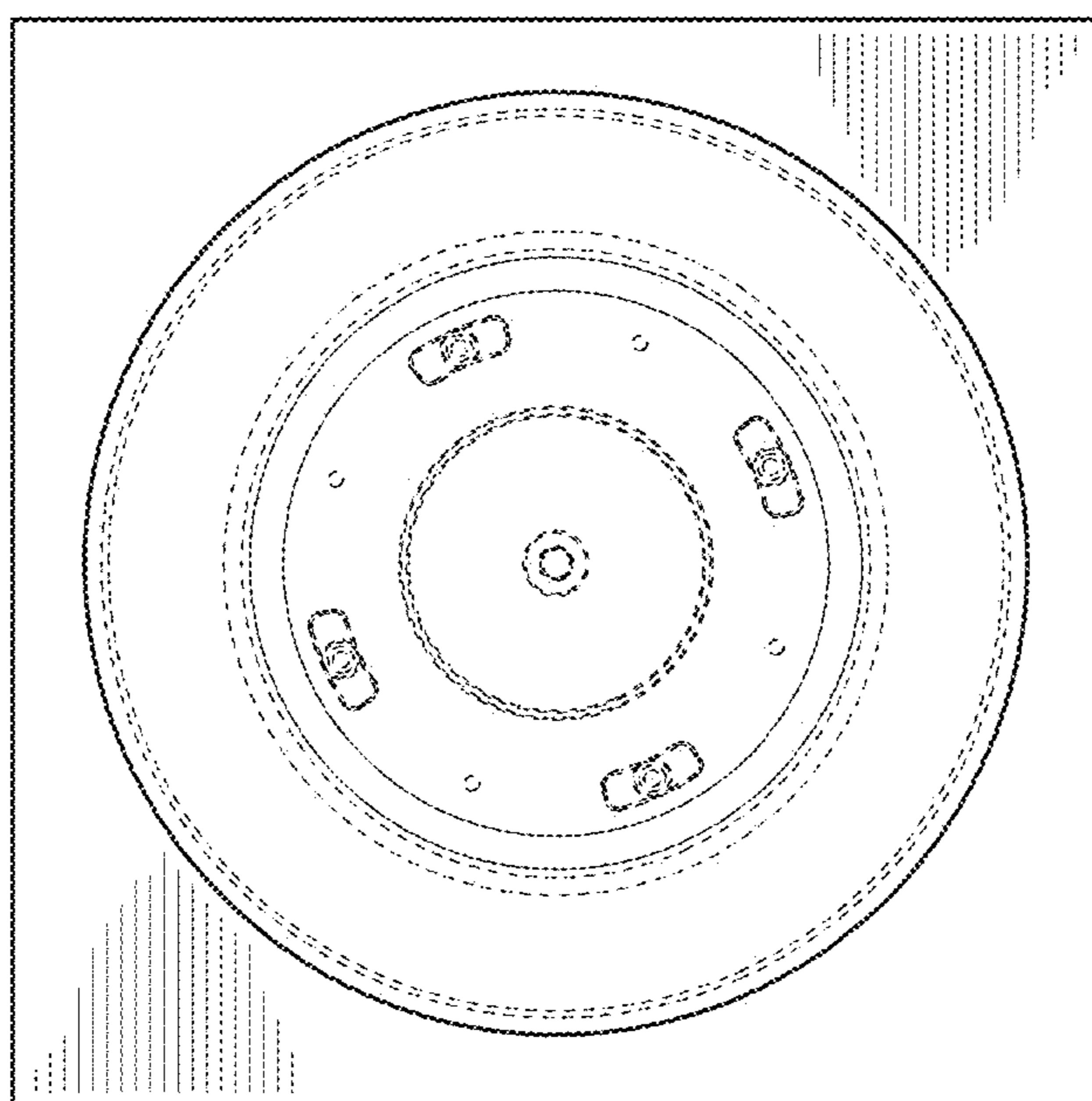


FIG. 6