



US00D877650S

(12) **United States Design Patent** (10) **Patent No.:** **US D877,650 S**
Ayres (45) **Date of Patent:** **** Mar. 10, 2020**

- (54) **PLANT-GROWING POT**
- (71) Applicant: **COUNTRY PLASTICS, INC.**,
Woodlake, CA (US)
- (72) Inventor: **Jay Ayres**, Woodlake, CA (US)
- (73) Assignee: **COUNTRY PLASTICS, INC.**,
Woodlake, CA (US)
- (**) Term: **15 Years**
- (21) Appl. No.: **29/615,963**
- (22) Filed: **Aug. 31, 2017**
- (51) **LOC (12) Cl.** **11-02**
- (52) **U.S. Cl.**
USPC **D11/143; D11/155**
- (58) **Field of Classification Search**
USPC D6/403-405, 556-558; D7/509, 516,
D7/523; D9/537, 540, 548, 549;
D11/143, 150, 155
CPC A01G 31/02; A01G 9/12; Y02P 60/216
See application file for complete search history.

(56) **References Cited**

U.S. PATENT DOCUMENTS

D80,543 S *	2/1930	Smith	D11/155
D187,807 S *	5/1960	Manfredi	D11/155
D192,811 S *	5/1962	Guarriello	D11/155
D238,700 S *	2/1976	Cobia	D11/155
4,442,628 A	4/1984	Whitcomb		
4,497,132 A	2/1985	Whitcomb		
4,510,712 A	4/1985	Whitcomb		
4,574,522 A	3/1986	Reiger et al.		
4,715,144 A	12/1987	Lee		
4,716,680 A	1/1988	Whitcomb et al.		
4,753,037 A	6/1988	Whitcomb		
4,793,097 A	12/1988	Whitcomb		
D300,521 S *	4/1989	Toltzman	D11/143
4,939,865 A	7/1990	Whitcomb et al.		
5,459,960 A	10/1995	Manlove		

5,557,886 A	9/1996	Whitcomb		
5,761,848 A	6/1998	Manlove		
5,787,641 A	8/1998	Watkins		
6,202,348 B1	3/2001	Reiger		
6,266,921 B1	7/2001	Keskilohko		
D473,463 S *	4/2003	Armstrong	D9/431
D480,326 S *	10/2003	Carlson	D11/155
6,901,699 B2	6/2005	Hartman		

(Continued)

Primary Examiner — Karen S Acker

Assistant Examiner — Steven B Reinholdt, Jr.

(74) *Attorney, Agent, or Firm* — William K. Nelson;
Jared E. Christensen

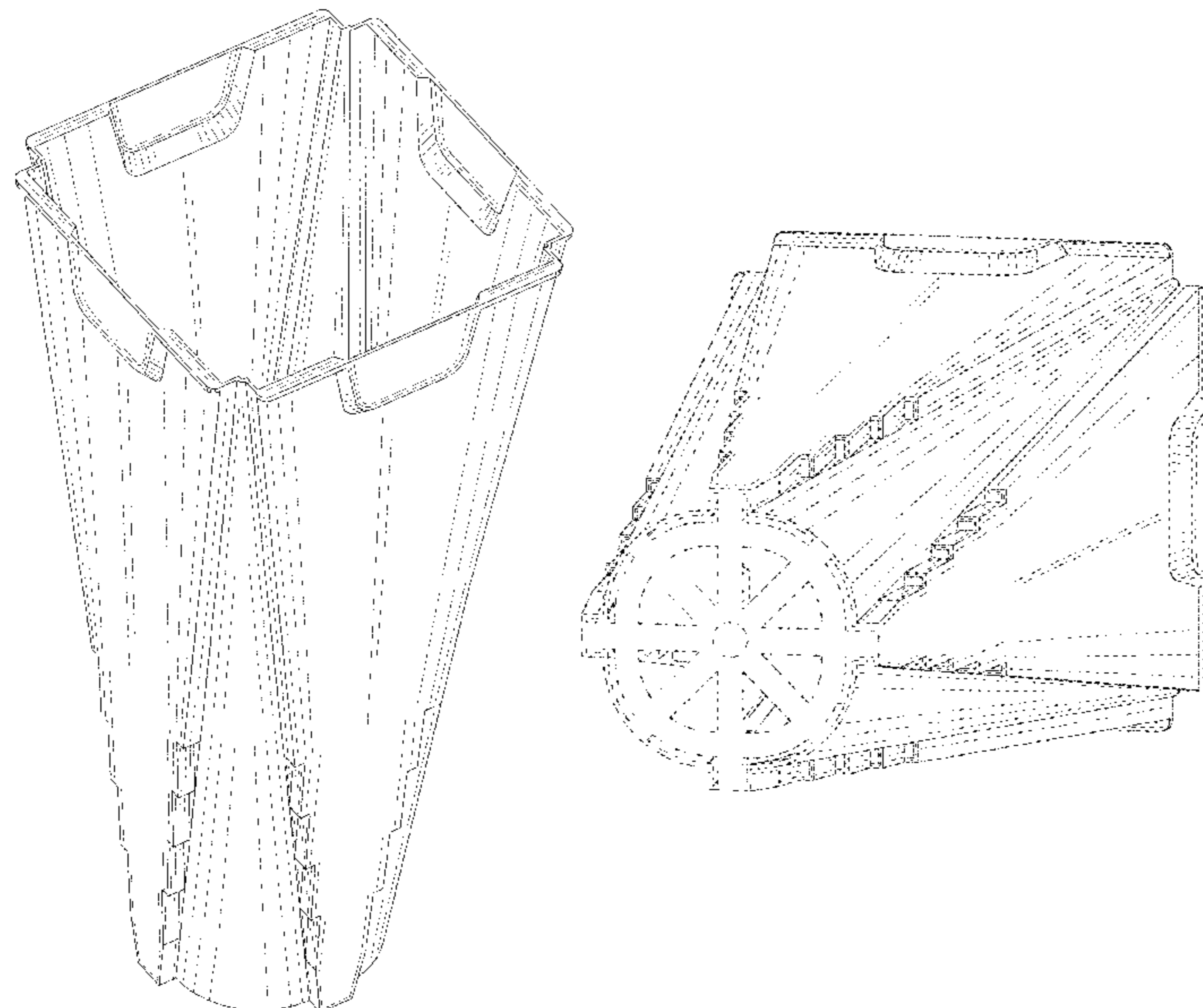
(57) **CLAIM**

I claim the ornamental design for a plant-growing pot, as shown and described.

DESCRIPTION

FIG. 1 is a perspective view of the plant-growing pot;
 FIG. 2 is a frontside view of the plant-growing pot of FIG. 1;
 FIG. 3 is a backside view of the plant-growing pot of FIG. 1;
 FIG. 4 is a view of a first lateral side of the plant-growing pot of FIG. 1;
 FIG. 5 is a view of a second lateral side of the plant-growing pot of FIG. 1;
 FIG. 6 is a top view showing the interior of the plant-growing pot of FIG. 1;
 FIG. 7 is a bottom view of the plant-growing pot of FIG. 1;
 FIG. 8 is a perspective view of the bottom of the plant-growing pot of FIG. 1; and,
 FIG. 9 is a perspective view of the top of the plant-growing pot of FIG. 1.
 The broken lines are included for the purpose of illustrating portions of the plant-growing pot that form no part of the claimed design.

1 Claim, 6 Drawing Sheets



(56)

References Cited

U.S. PATENT DOCUMENTS

7,210,266	B2	5/2007	Henry et al.	
7,481,025	B2	1/2009	Whitcomb	
7,774,981	B2	8/2010	Whitcomb	
D625,067	S *	10/2010	Shannon	D34/1
7,810,275	B2	10/2010	Whitcomb	
7,954,277	B2	6/2011	Cooley	
3,033,048	A1	10/2011	Whitcomb	
D653,162	S *	1/2012	Moore	D11/155
D726,071	S *	4/2015	Aoyama	D11/155
9,155,252	B2	10/2015	Selzer	
9,521,815	B2	12/2016	Panopoulos	
D775,999	S *	1/2017	Shaffer	D11/155
D820,722	S *	6/2018	Shaffer	D11/155
D840,838	S *	2/2019	Wonderley	D9/748
2003/0167688	A1	9/2003	Atchley et al.	
2005/0223639	A1	10/2005	Whitcomb	
2008/0216403	A1	9/2008	Schmidt et al.	
2012/0159843	A1	6/2012	Whitcomb	
2015/0208596	A1	7/2015	Whitcomb	
2016/0150741	A1 *	6/2016	Au	A01G 9/02 47/65.7
2016/0174469	A1 *	6/2016	Shaffer	A01G 9/0291 47/66.7

* cited by examiner

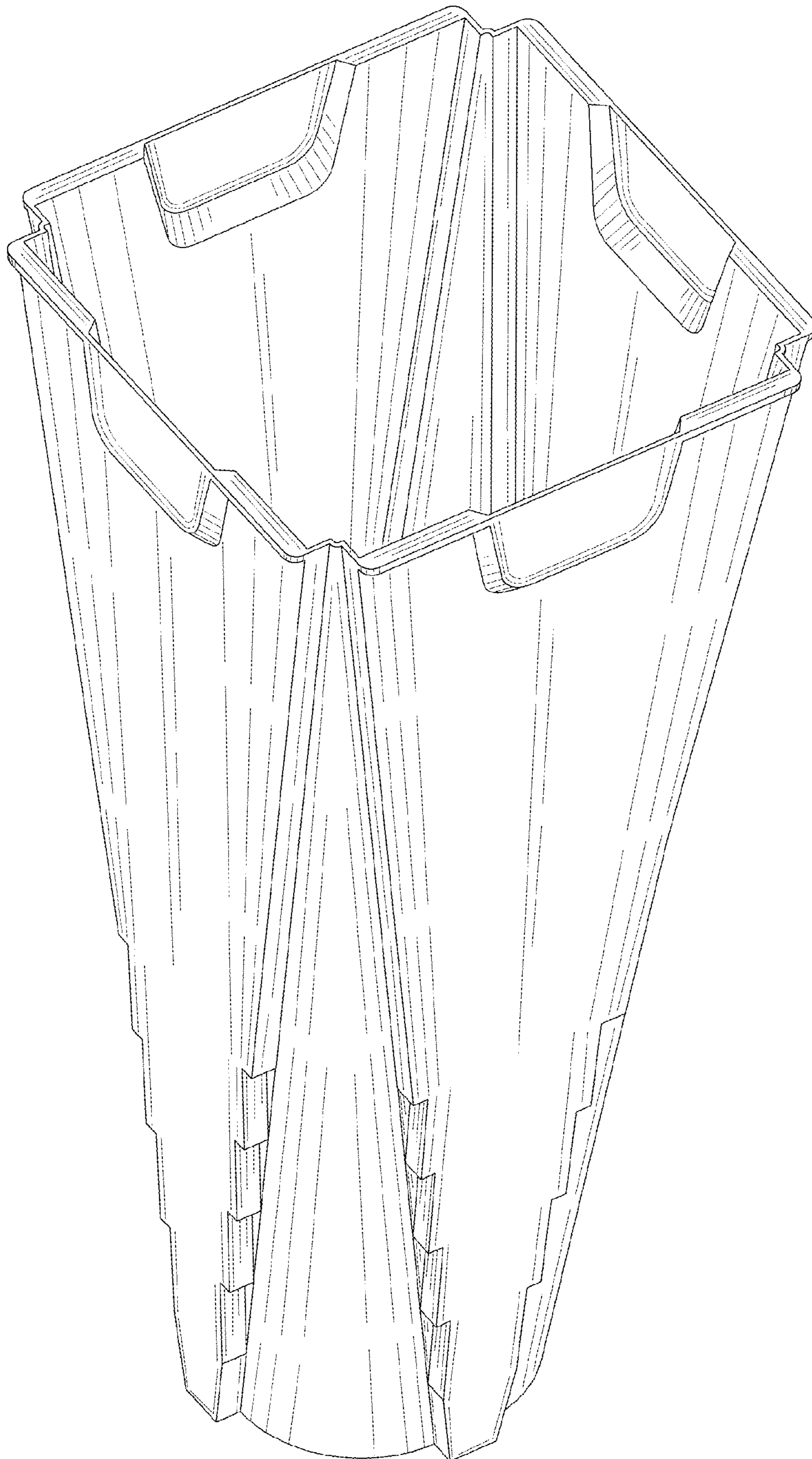


FIG. 1

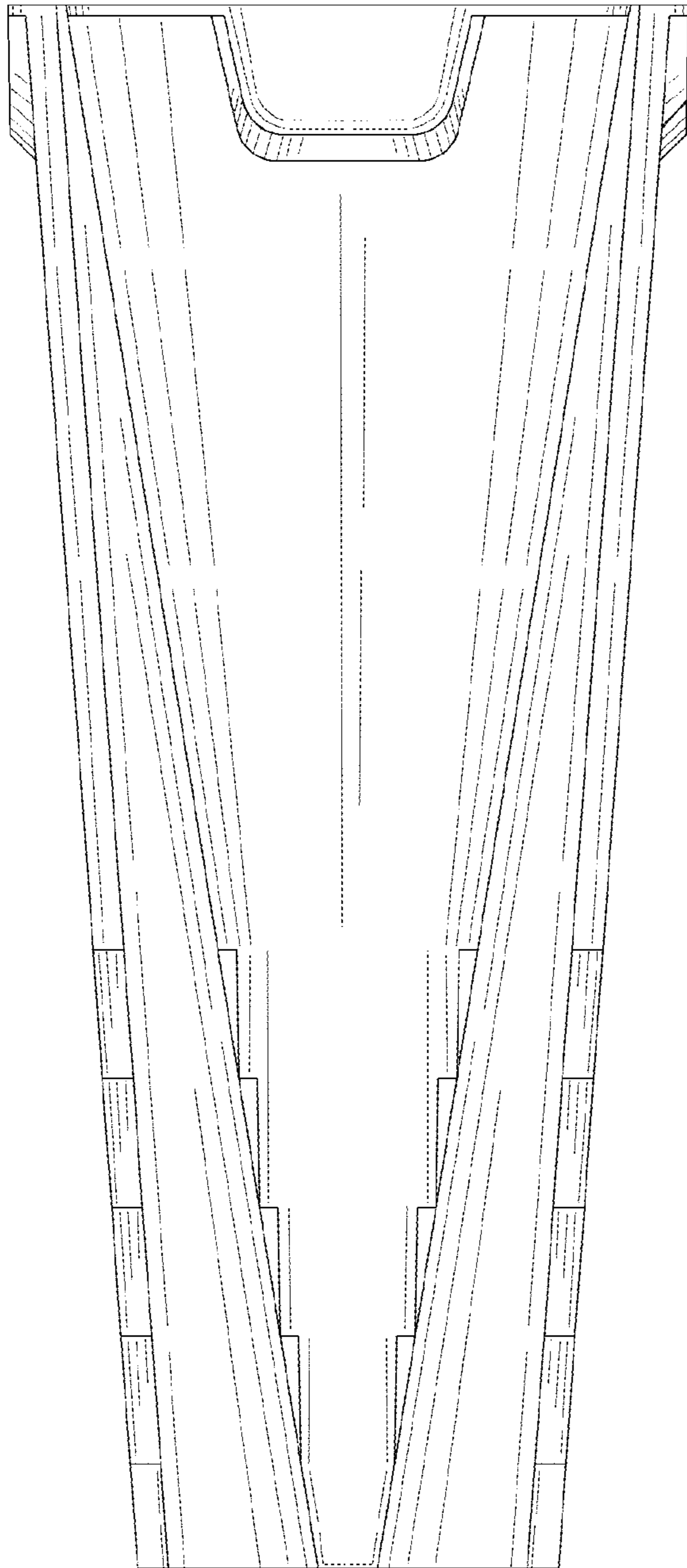


FIG. 2

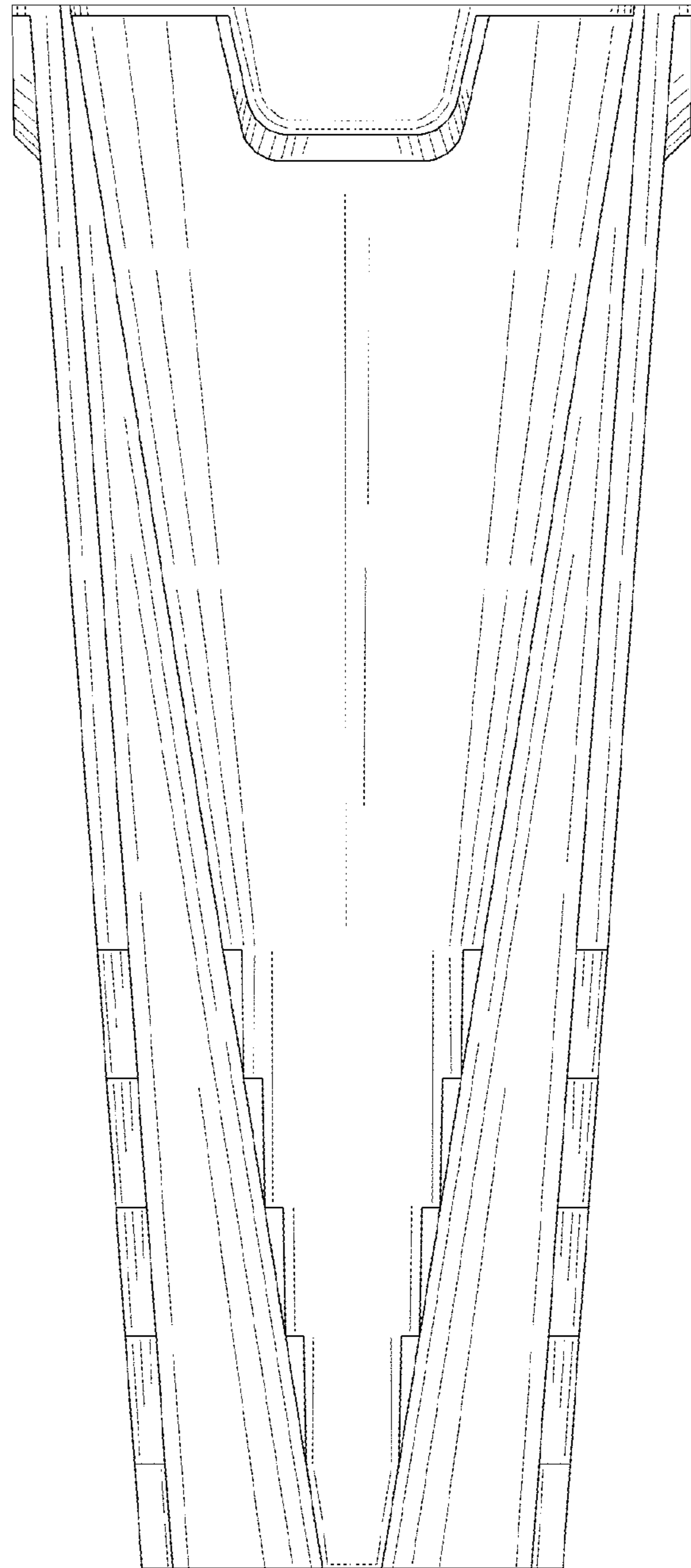


FIG. 3

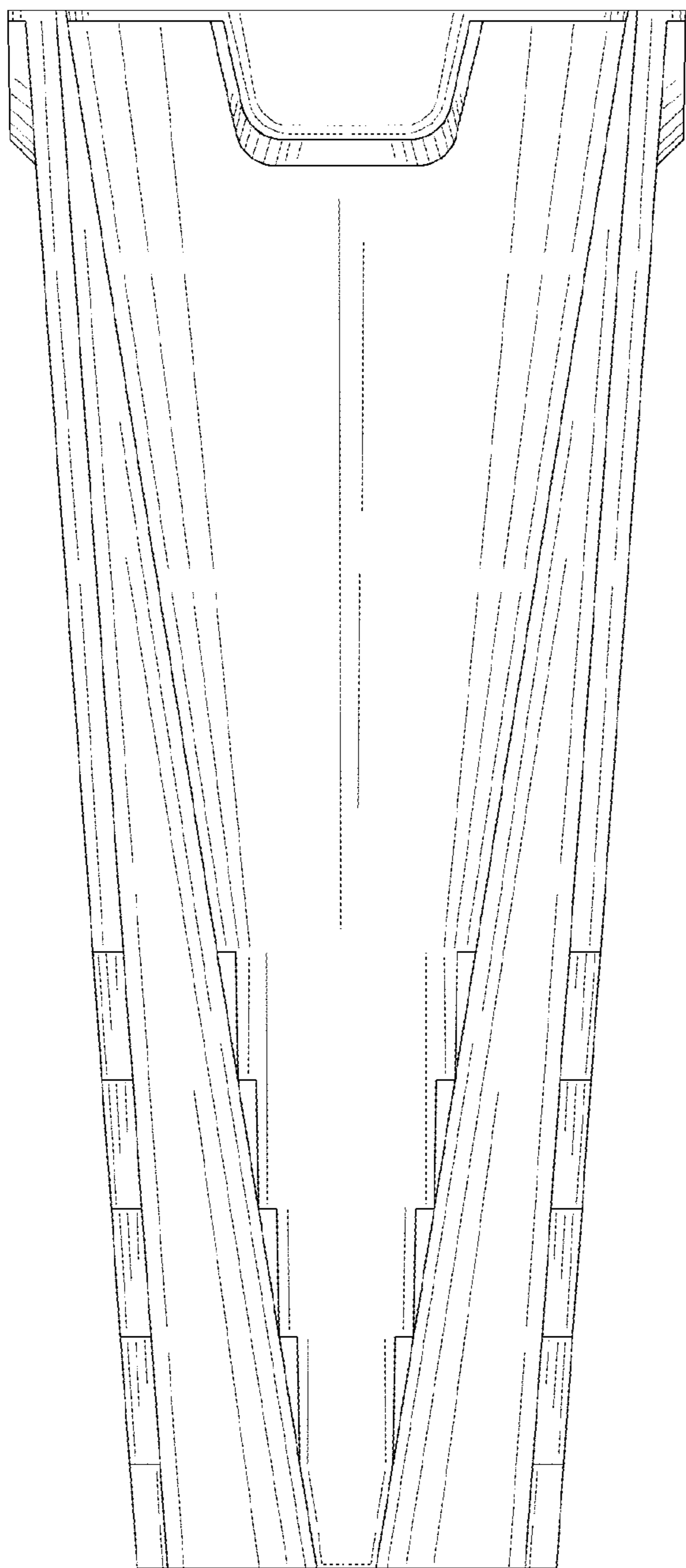


FIG. 4

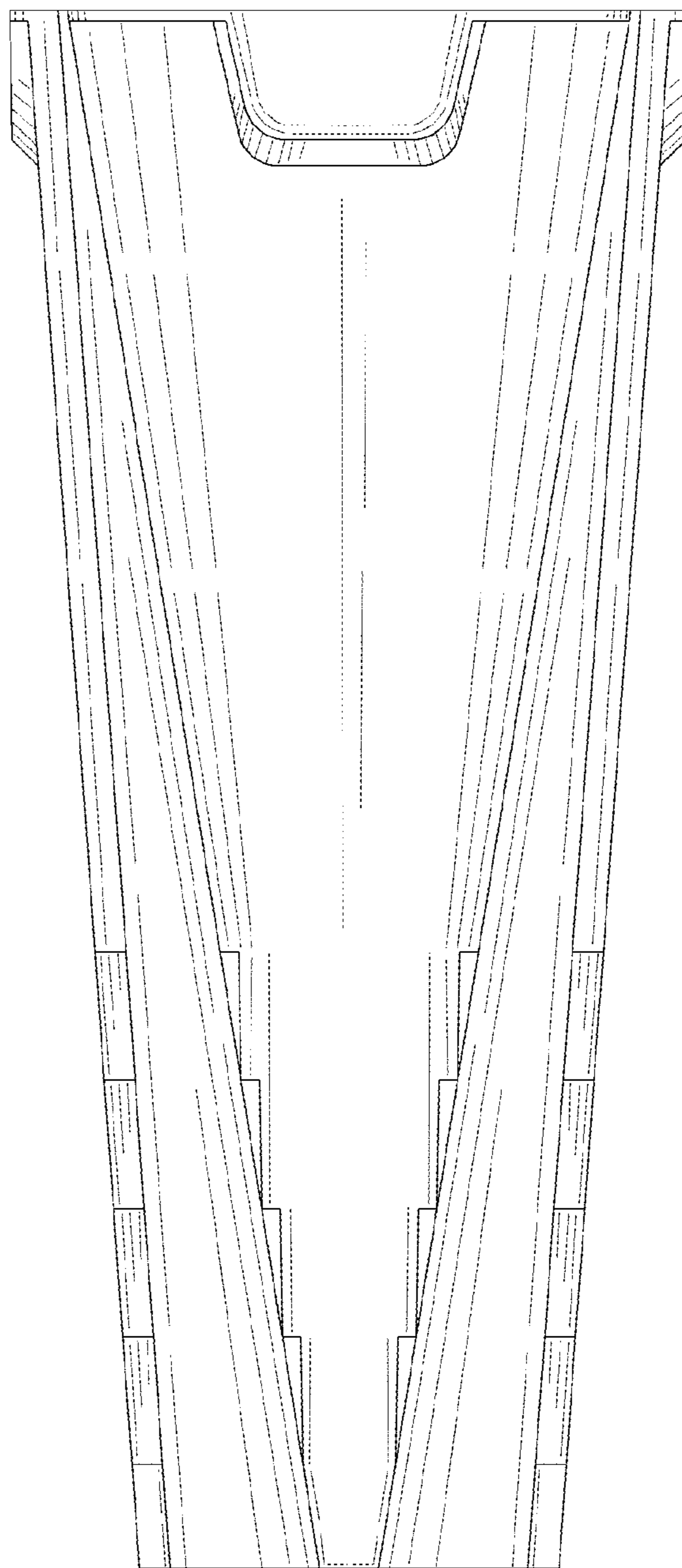


FIG. 5

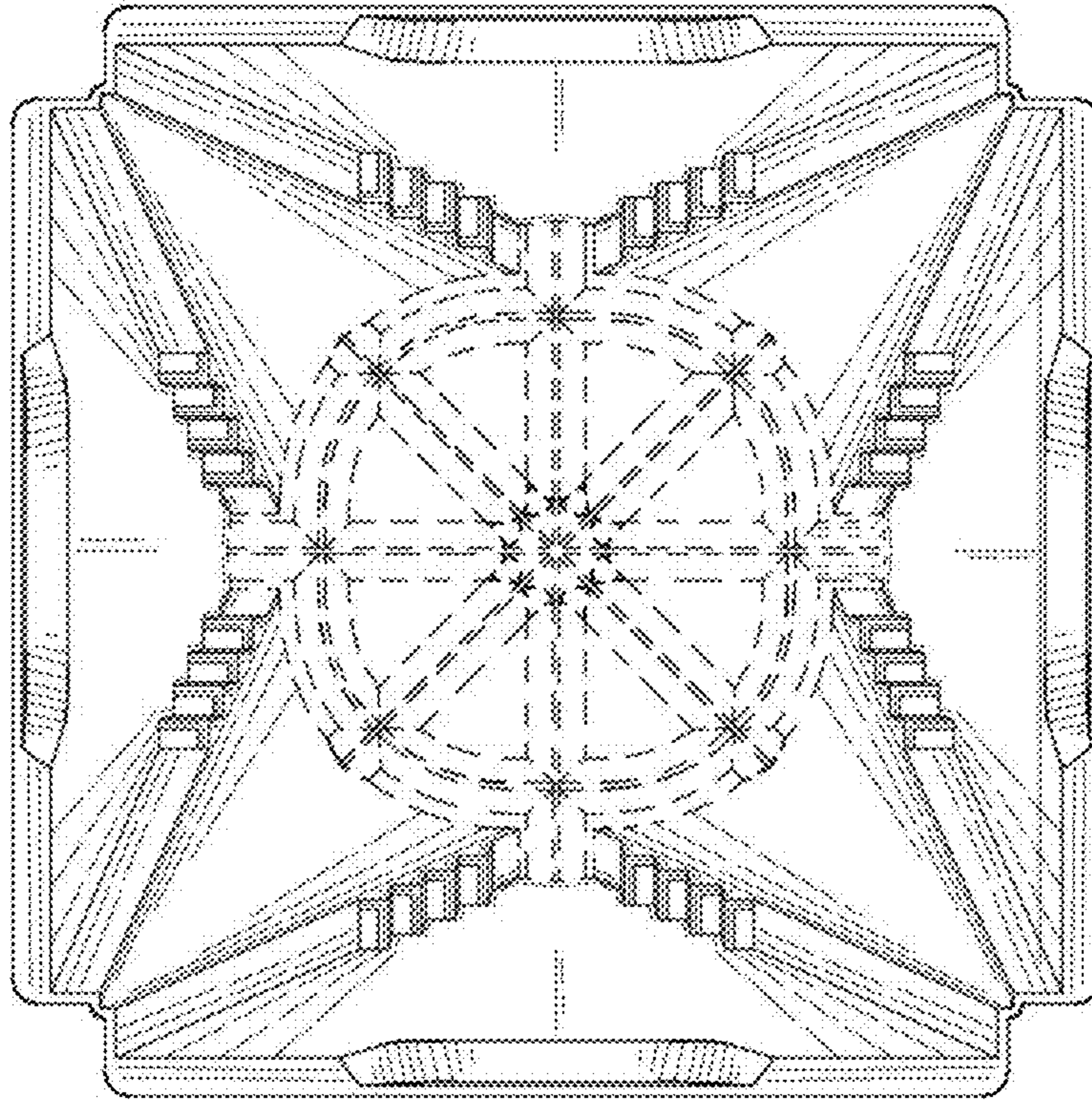


FIG. 6

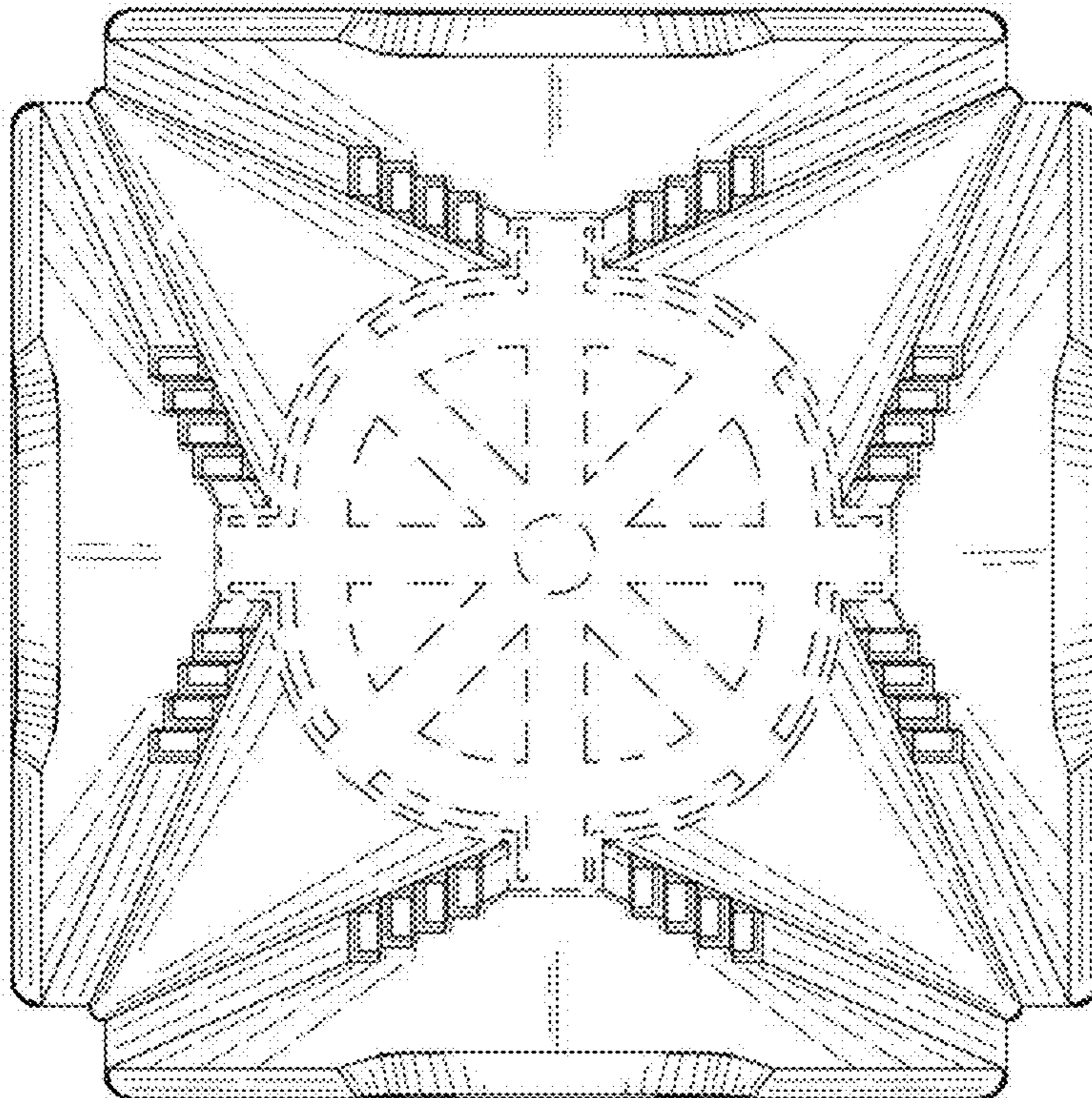


FIG. 7

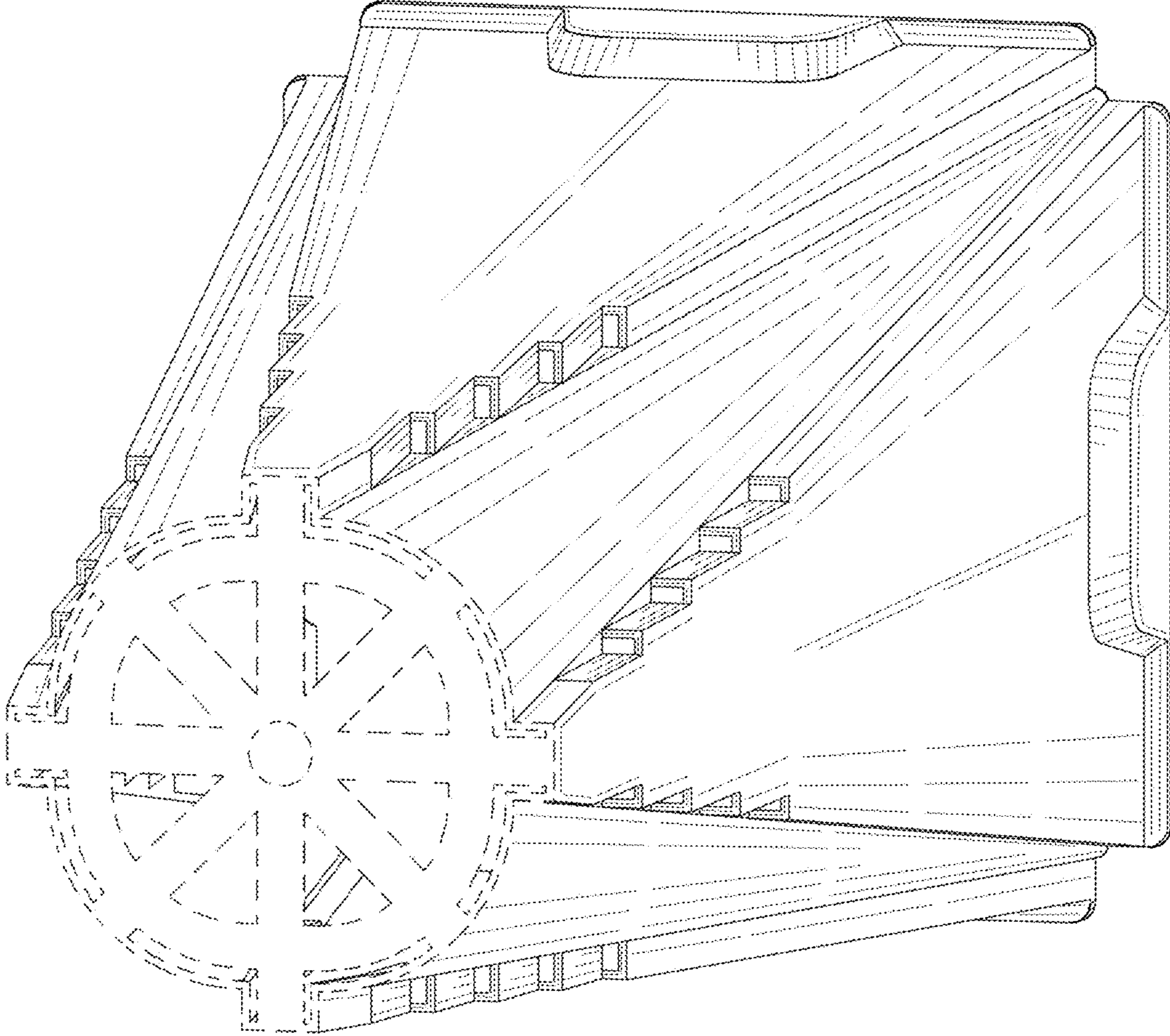


FIG. 8

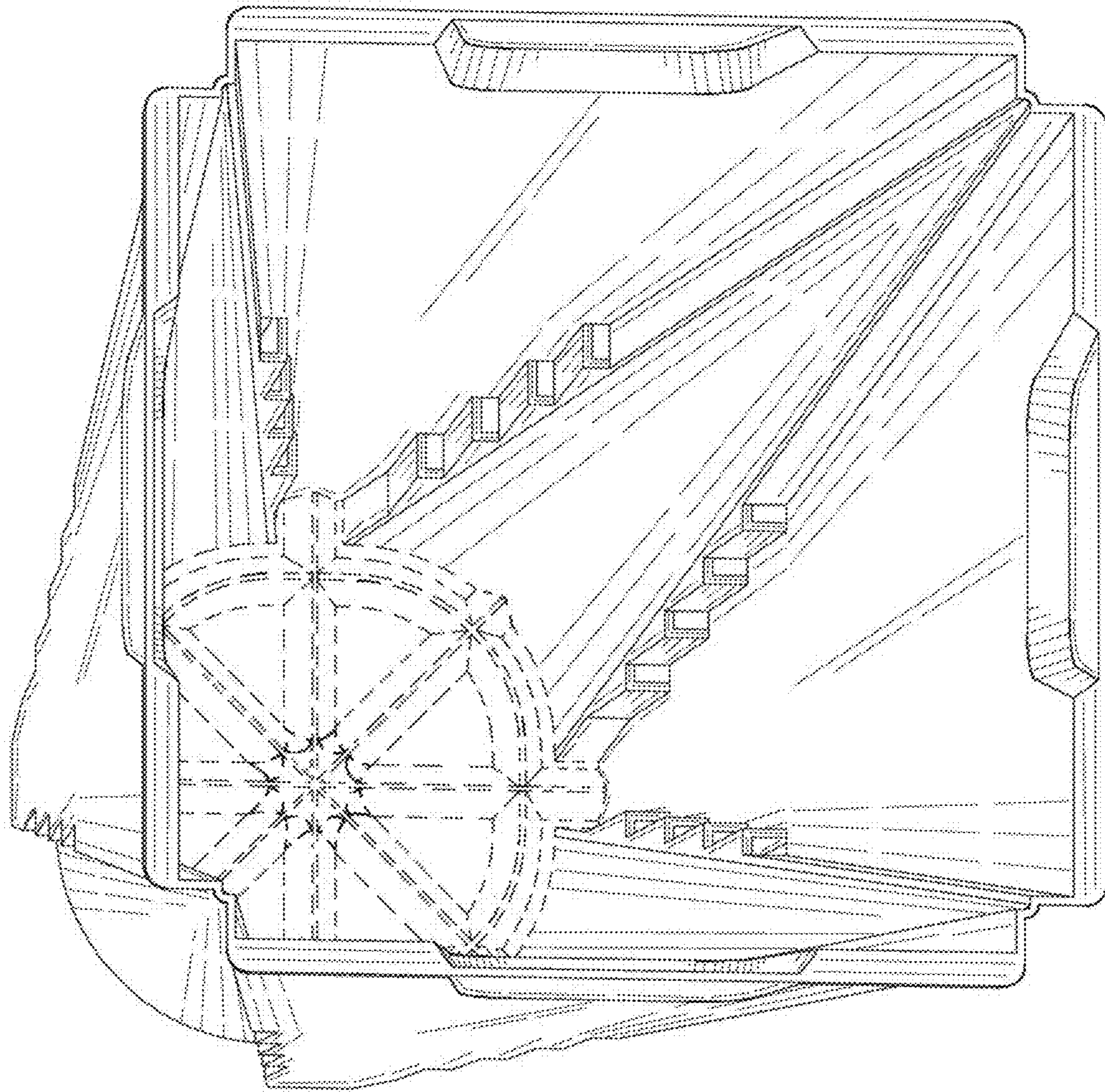


FIG. 9