



US00D877649S

(12) **United States Design Patent**
Pettigrew

(10) **Patent No.:** **US D877,649 S**
(45) **Date of Patent:** **** Mar. 10, 2020**

- (54) **HORTICULTURAL CONTAINER**
- (71) Applicant: **THE HC COMPANIES, INC.**,
Twinsburg, OH (US)
- (72) Inventor: **Doug Pettigrew**, Wilsonville (CA)
- (73) Assignee: **THE HC COMPANIES, INC.**,
Twinsburg, OH (US)
- (**) Term: **15 Years**
- (21) Appl. No.: **29/610,700**
- (22) Filed: **Jul. 14, 2017**

Related U.S. Application Data

- (63) Continuation-in-part of application No. 29/595,305,
filed on Feb. 27, 2017, now abandoned.
- (51) **LOC (12) Cl.** **11-02**
- (52) **U.S. Cl.**
USPC **D11/143**
- (58) **Field of Classification Search**
USPC D11/143, 144, 146, 145, 148, 149, 151,
D11/152, 153, 154, 155, 156, 164;
D6/405, 558; D8/1; D3/303
CPC A01G 31/02; A01G 9/12; Y02P 60/216
See application file for complete search history.

(56) **References Cited**

U.S. PATENT DOCUMENTS

1,627,282 A	5/1927	Gran	
D480,326 S	10/2003	Carlson	
D539,998 S *	4/2007	Andrade	D34/1
D552,319 S *	10/2007	Gusdorf	D11/143
D625,067 S *	10/2010	Shannon	D34/1
D653,162 S	1/2012	Moore et al.	
D726,071 S *	4/2015	Aoyama	D11/155
D735,602 S	8/2015	Anderson et al.	

D750,997 S	3/2016	Pettigrew et al.	
D772,516 S	11/2016	Burt	
D820,151 S *	6/2018	Itzhak-Sigron	D11/155
D830,893 S *	10/2018	Thuma	D11/155
2010/0252557 A1 *	10/2010	Clements	B65F 1/06 220/495.06
2018/0242533 A1 *	8/2018	Quinlan	A01G 9/021

OTHER PUBLICATIONS

HC Companies website, Square Pint Wave Lock, Publication date unknown, [Site visited Apr. 27, 2019], Available on the Internet at URL <https://hc-companies.com/product/square-pint-wave-lock/>.*

* cited by examiner

Primary Examiner — Karen S Acker

Assistant Examiner — Steven B Reinholdt, Jr.

(74) *Attorney, Agent, or Firm* — Tucker Ellis LLP

(57) **CLAIM**

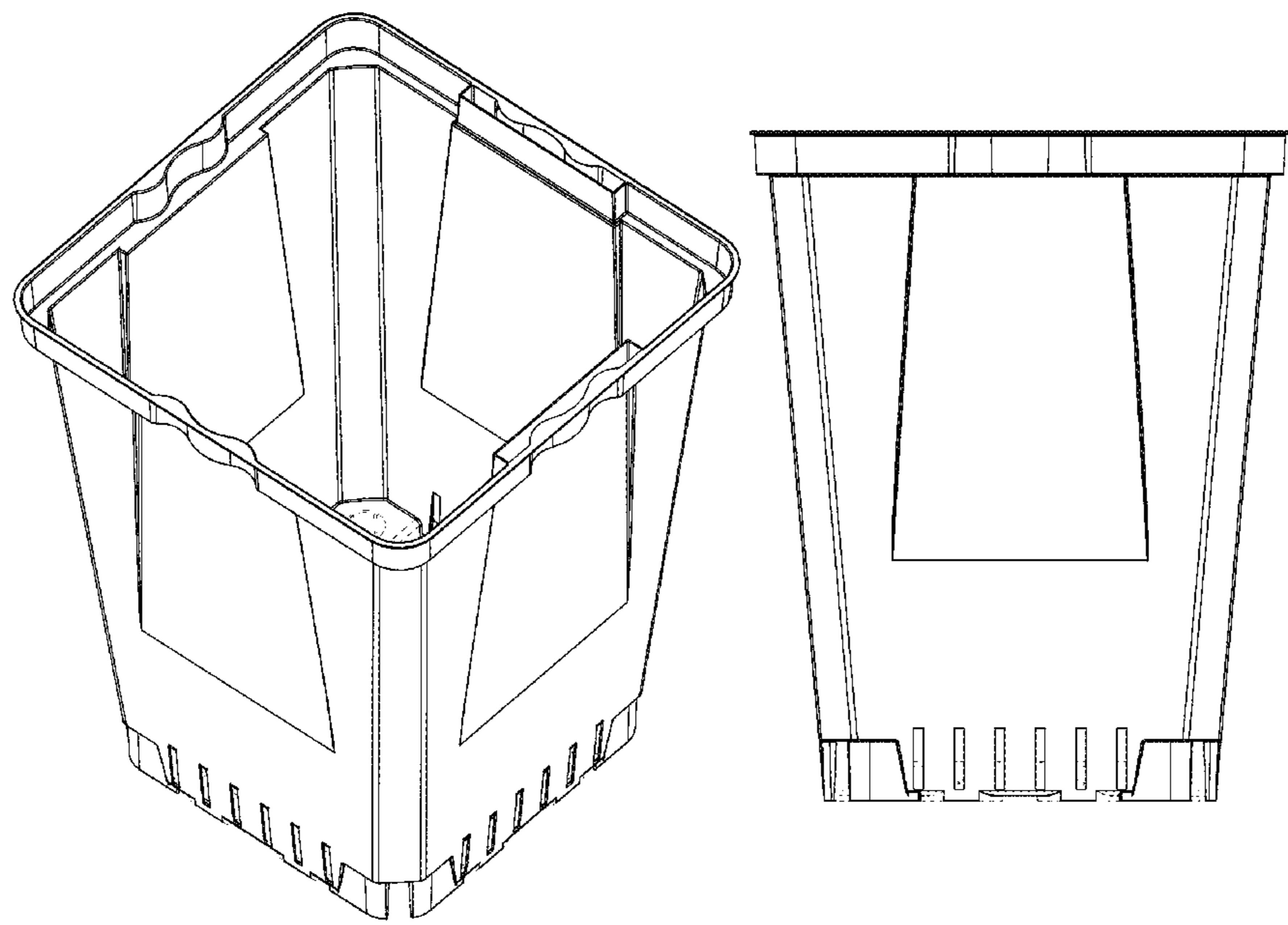
The ornamental design for a horticultural container, as shown and described.

DESCRIPTION

FIG. 1 is an isometric view of a horticultural container showing my new design;
FIG. 2 is a front view thereof;
FIG. 3 is a rear view thereof;
FIG. 4 is a left side view thereof;
FIG. 5 is a right side view thereof;
FIG. 6 is a top view thereof; and,
FIG. 7 is a bottom view thereof.

The broken lines and areas within them including areas immediately adjacent to the solid line perimeter of the bottom of the article depict portions of the horticultural container that form no part of the claimed design.

1 Claim, 7 Drawing Sheets



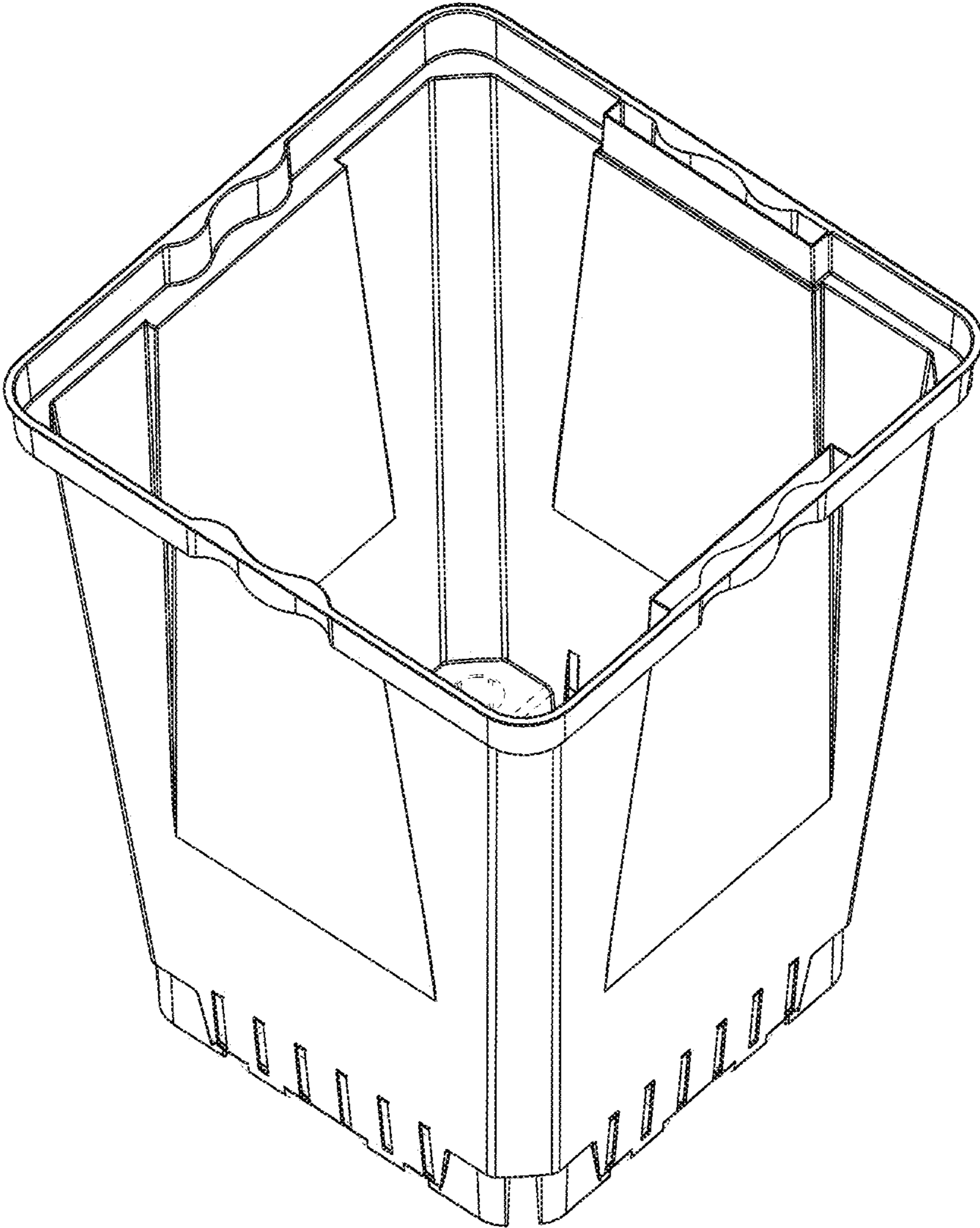


FIG. 1

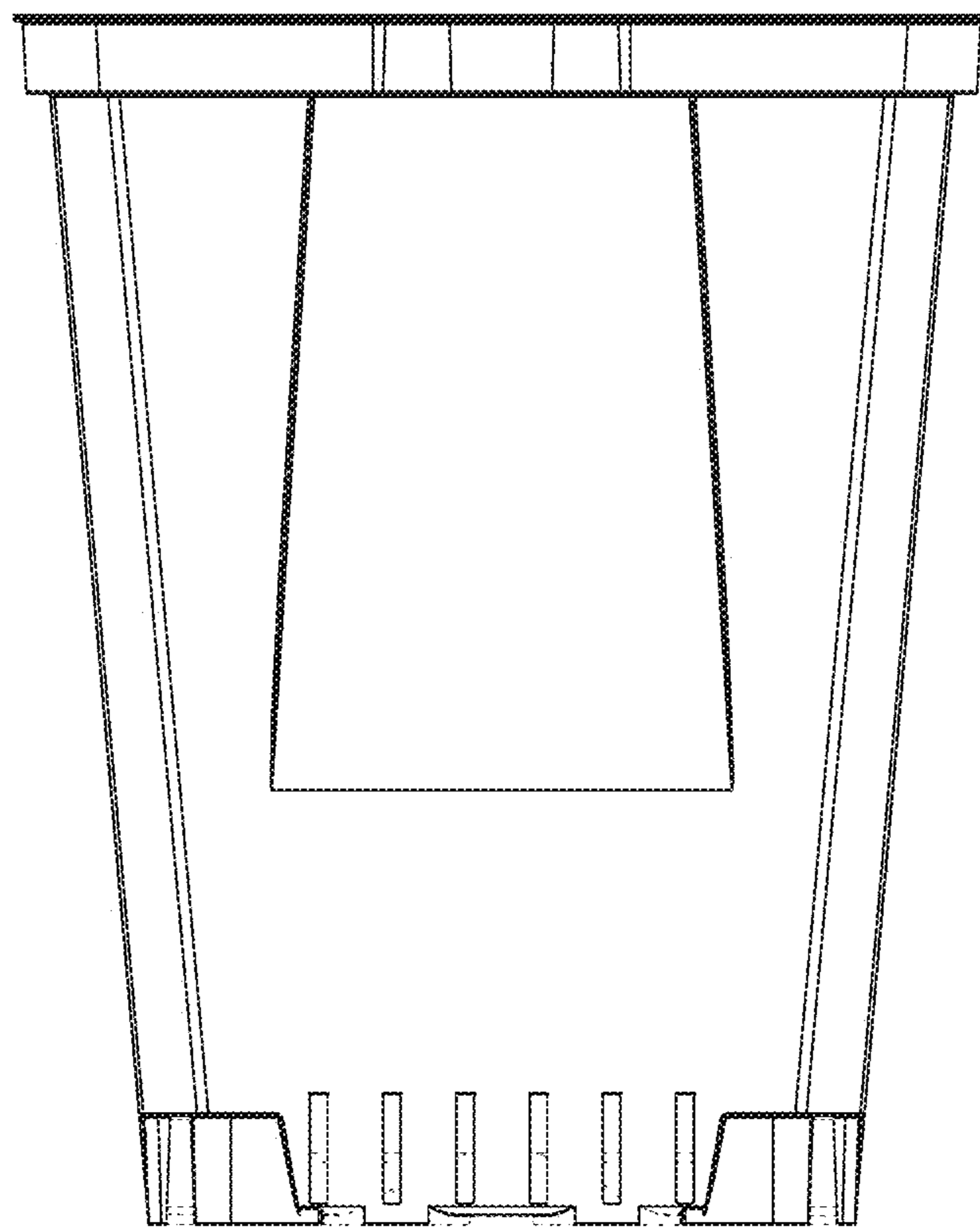


FIG. 2

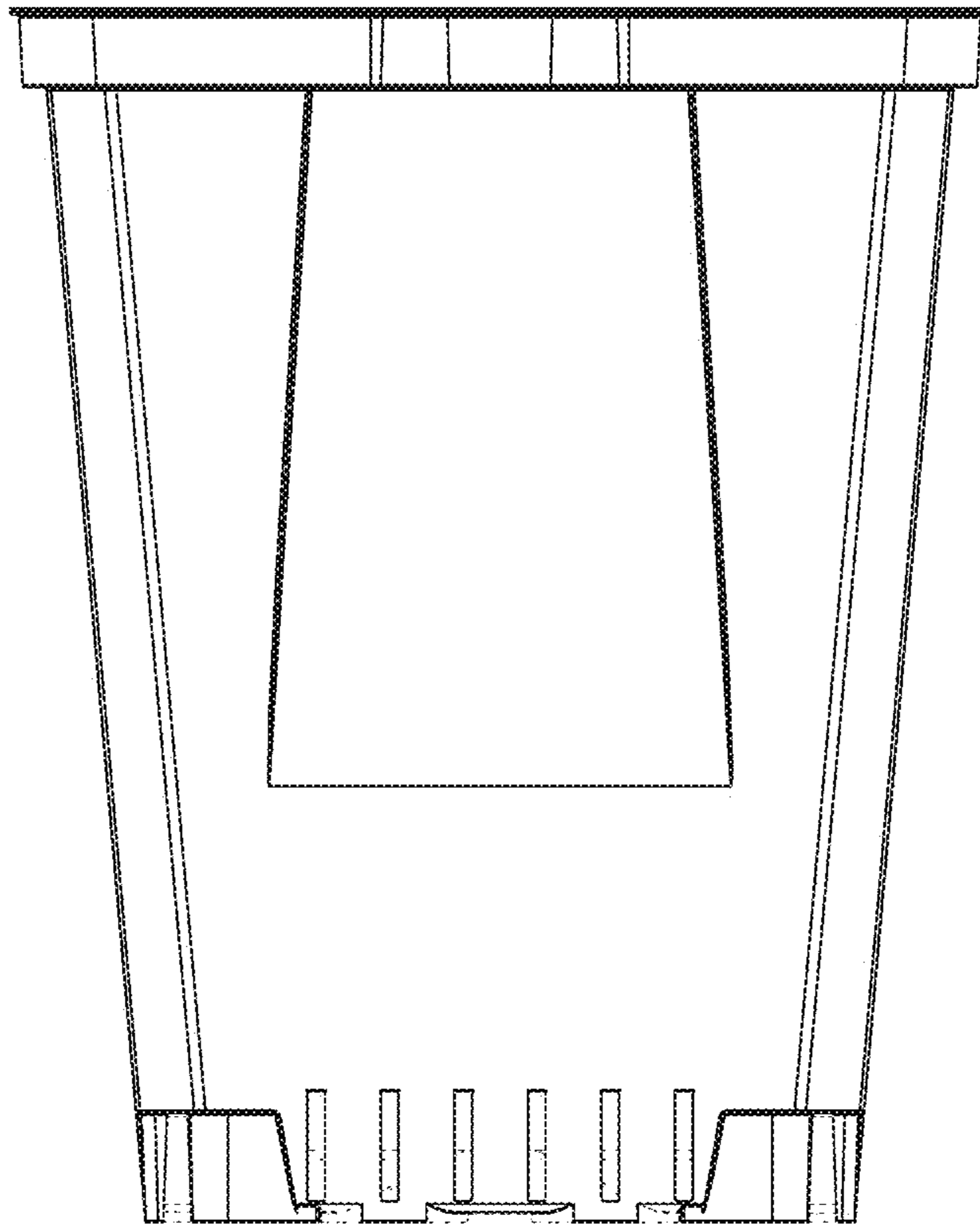


FIG. 3

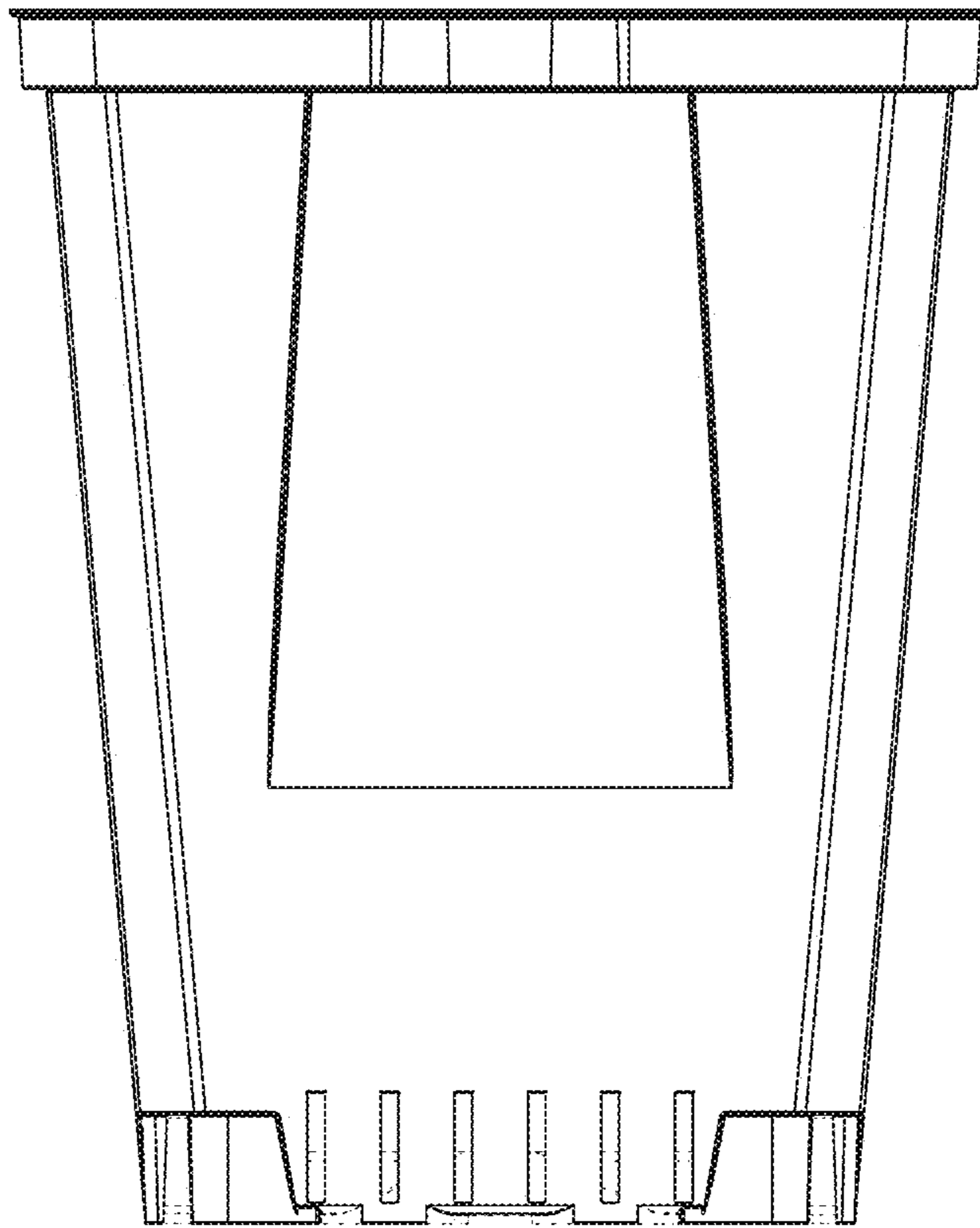


FIG. 4

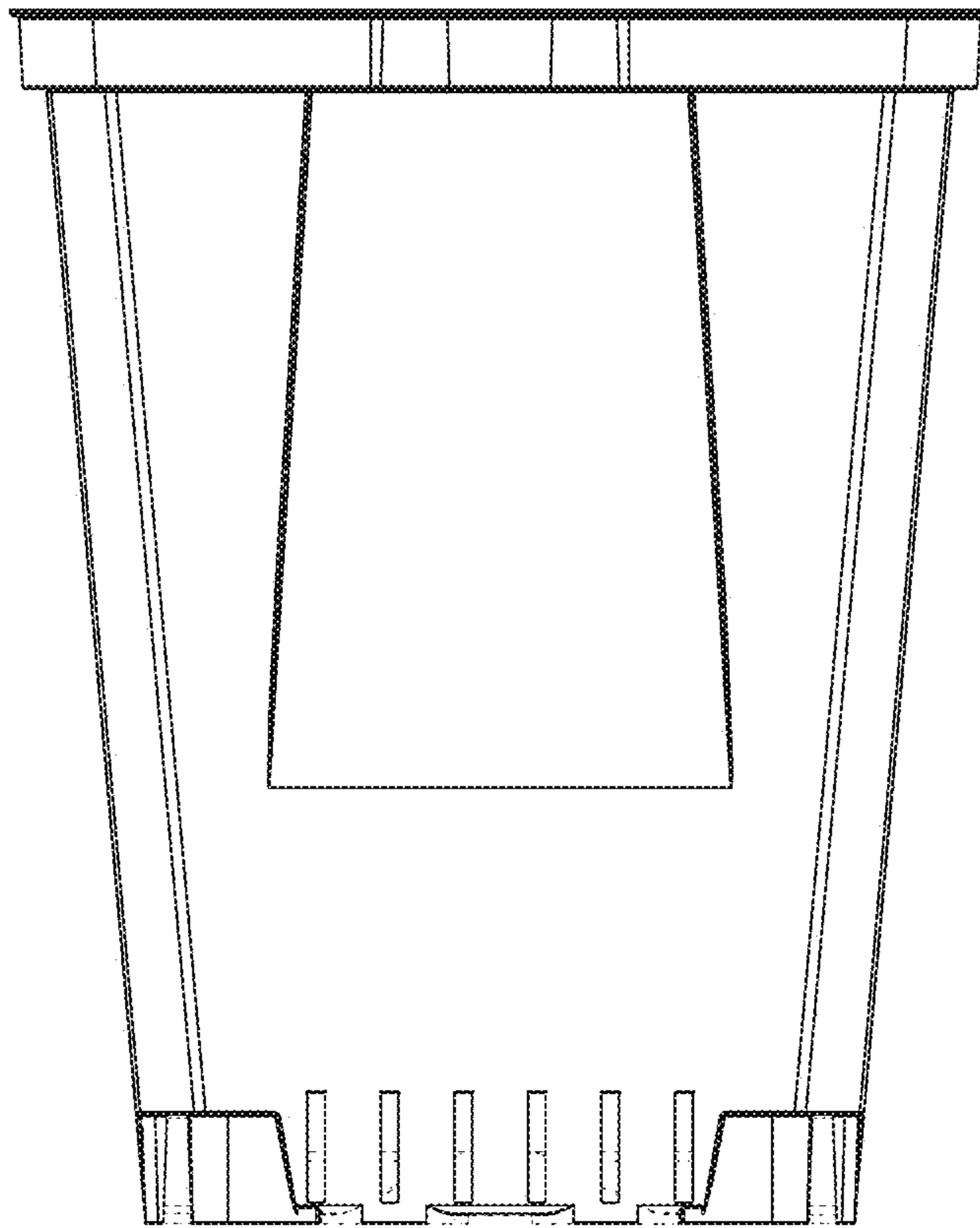


FIG. 5

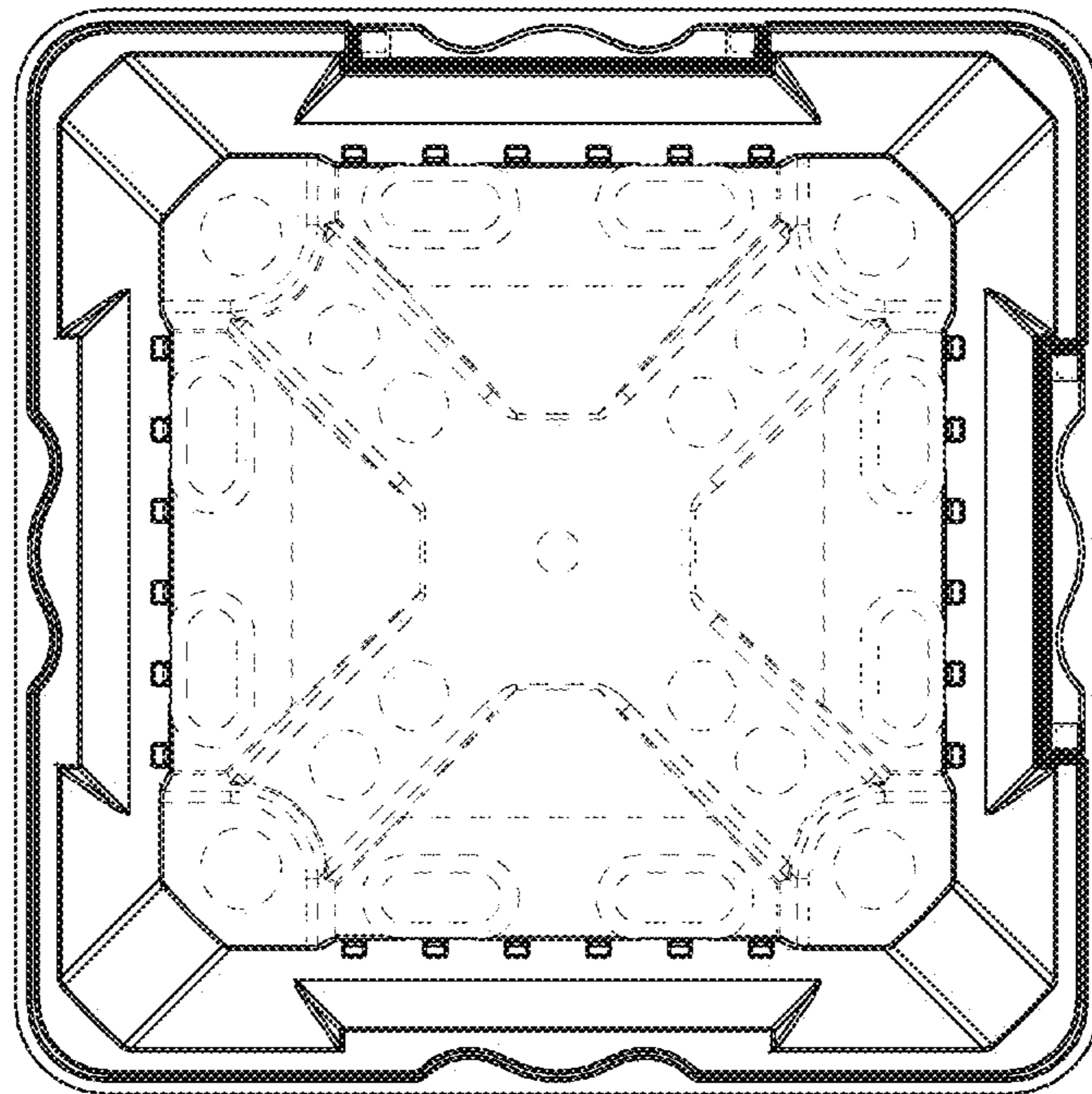


FIG. 6

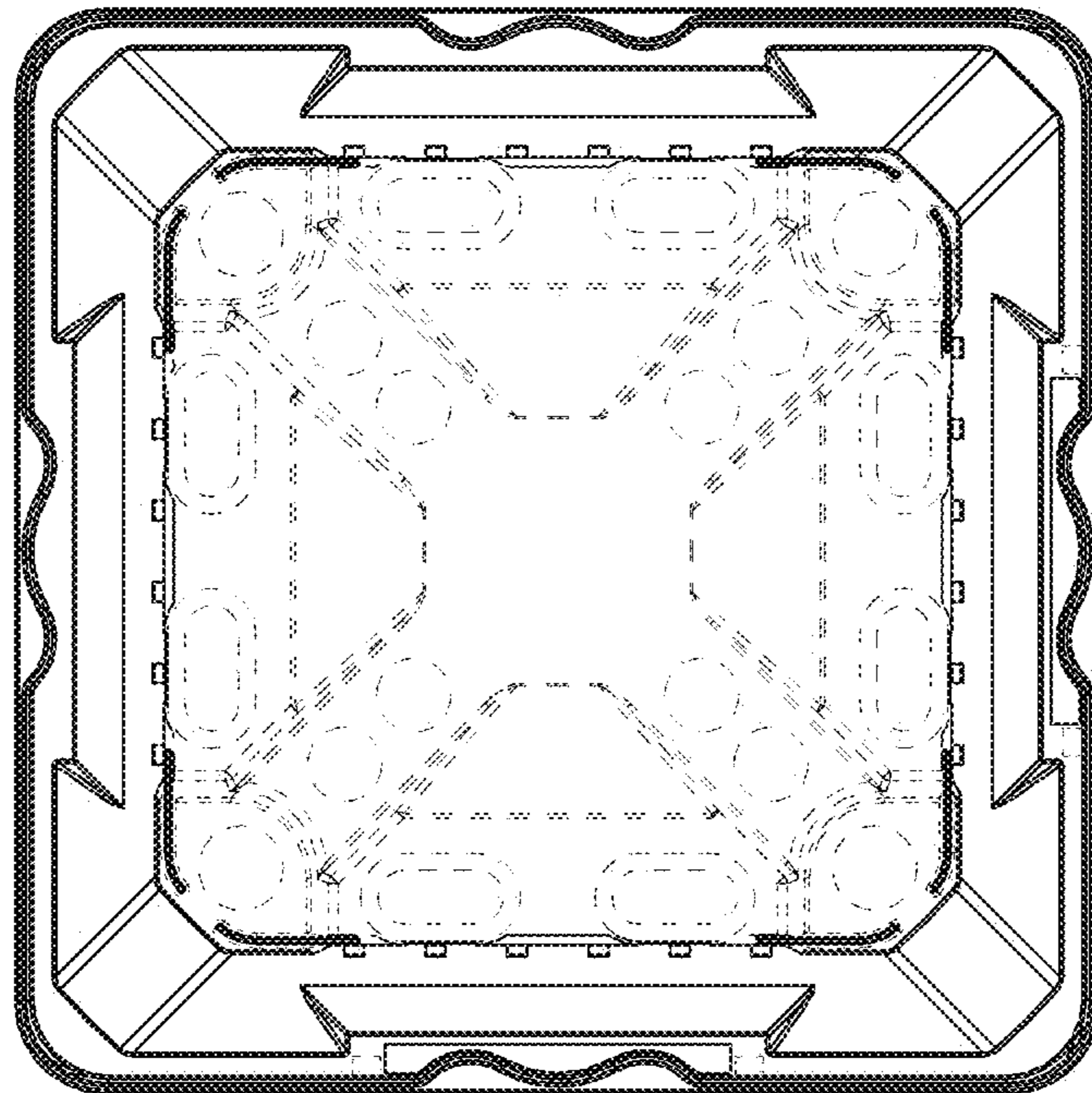


FIG. 7