



US00D877646S

(12) **United States Design Patent**
Haramain et al.

(10) **Patent No.:** **US D877,646 S**
(45) **Date of Patent:** **** Mar. 10, 2020**

(54) **GEM FRAME**

(71) Applicant: **ARK CRYSTAL, LLC**, San Clemente, CA (US)

(72) Inventors: **Nassim Haramain**, Carlsbad, CA (US);
Scott Brown, San Clemente, CA (US);
Kevin Kendrick, San Clemente, CA (US)

(73) Assignee: **ARK CRYSTAL, LLC**, San Clemente, CA (US)

(**) Term: **15 Years**

(21) Appl. No.: **29/619,379**

(22) Filed: **Sep. 28, 2017**

(51) **LOC (12) Cl.** **11-01**

(52) **U.S. Cl.**
USPC **D11/91**

(58) **Field of Classification Search**

USPC D11/1-3, 91-92
CPC A44C 17/00; A44C 17/001; A44C 17/002;
A44C 17/005; A44C 17/006; A44C
17/007; A44C 17/008; A44C 17/02; A44C
17/0208; A44C 17/0241; A44C 17/04
See application file for complete search history.

(56) **References Cited**

U.S. PATENT DOCUMENTS

D57,218 S * 3/1921 Eliasoff et al. D11/89
D466,828 S * 12/2002 Pinto D11/91

D753,016 S * 4/2016 Yep D11/92
2008/0016915 A1 * 1/2008 Shah A44C 25/001
63/40
2013/0122974 A1 * 5/2013 Haramain A44C 17/02
63/26
2014/0072942 A1 * 3/2014 Haramain A45C 11/16
434/281
2015/0093571 A1 * 4/2015 Haramain C30B 29/18
428/357
2016/0090666 A1 * 3/2016 Haramain C30B 29/18
428/402
2019/0037978 A1 * 2/2019 Haramain A44C 13/00

* cited by examiner

Primary Examiner — L. Martinez

(74) *Attorney, Agent, or Firm* — Fish IP Law, LLP

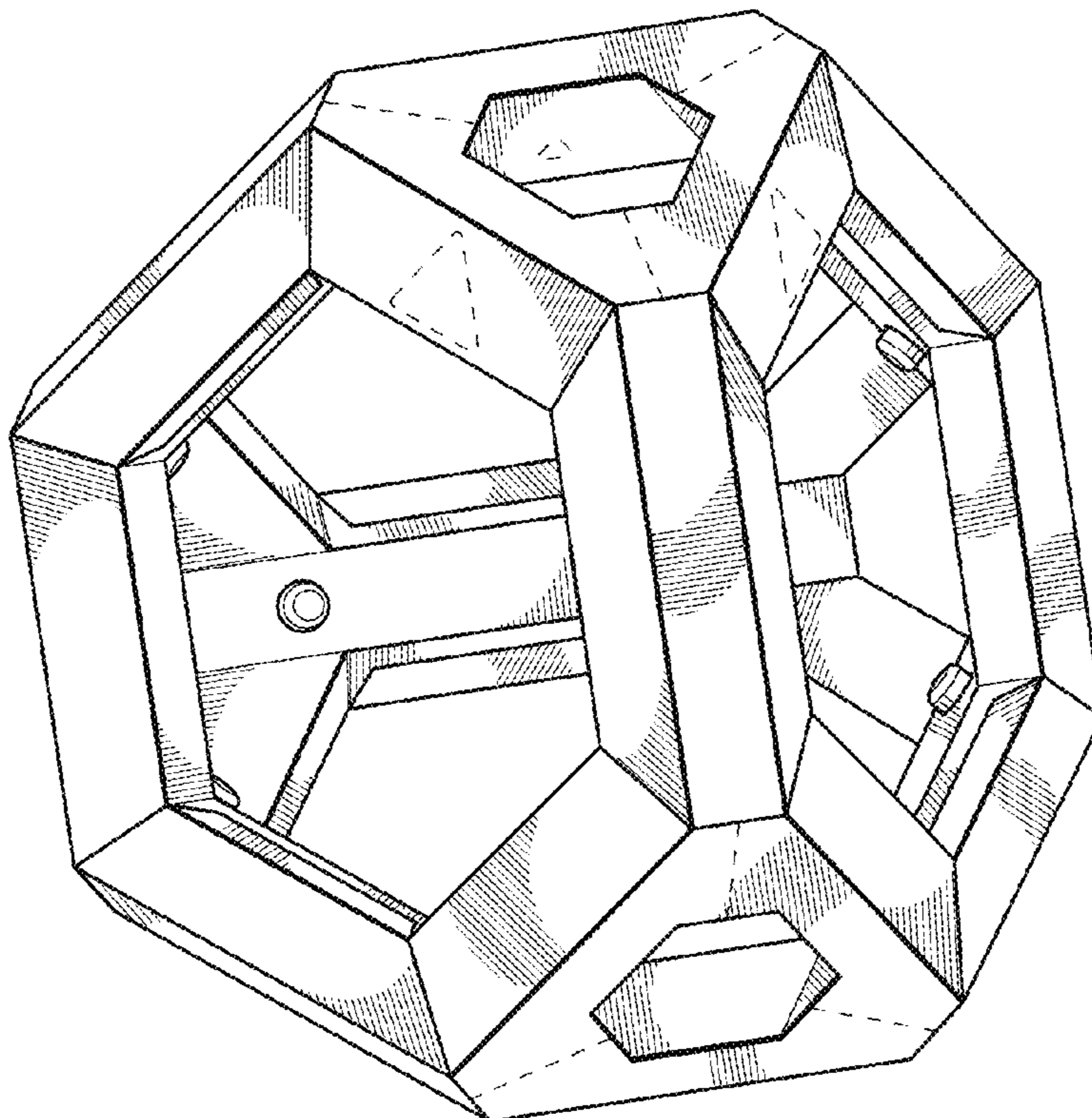
(57) **CLAIM**

The ornamental design for a gem frame, as shown and described.

DESCRIPTION

FIG. 1 is a top, front, right side perspective view of a gem frame showing our new design;
FIG. 2 is a front elevation view thereof;
FIG. 3 is a rear elevation view thereof;
FIG. 4 is a left side elevation view thereof, the right side elevation view being a mirror image;
FIG. 5 is a top plan view thereof; and,
FIG. 6 is a bottom plan view thereof.
The broken lines in the drawings illustrate portions of the gem frame that form no part of the claimed design.

1 Claim, 3 Drawing Sheets



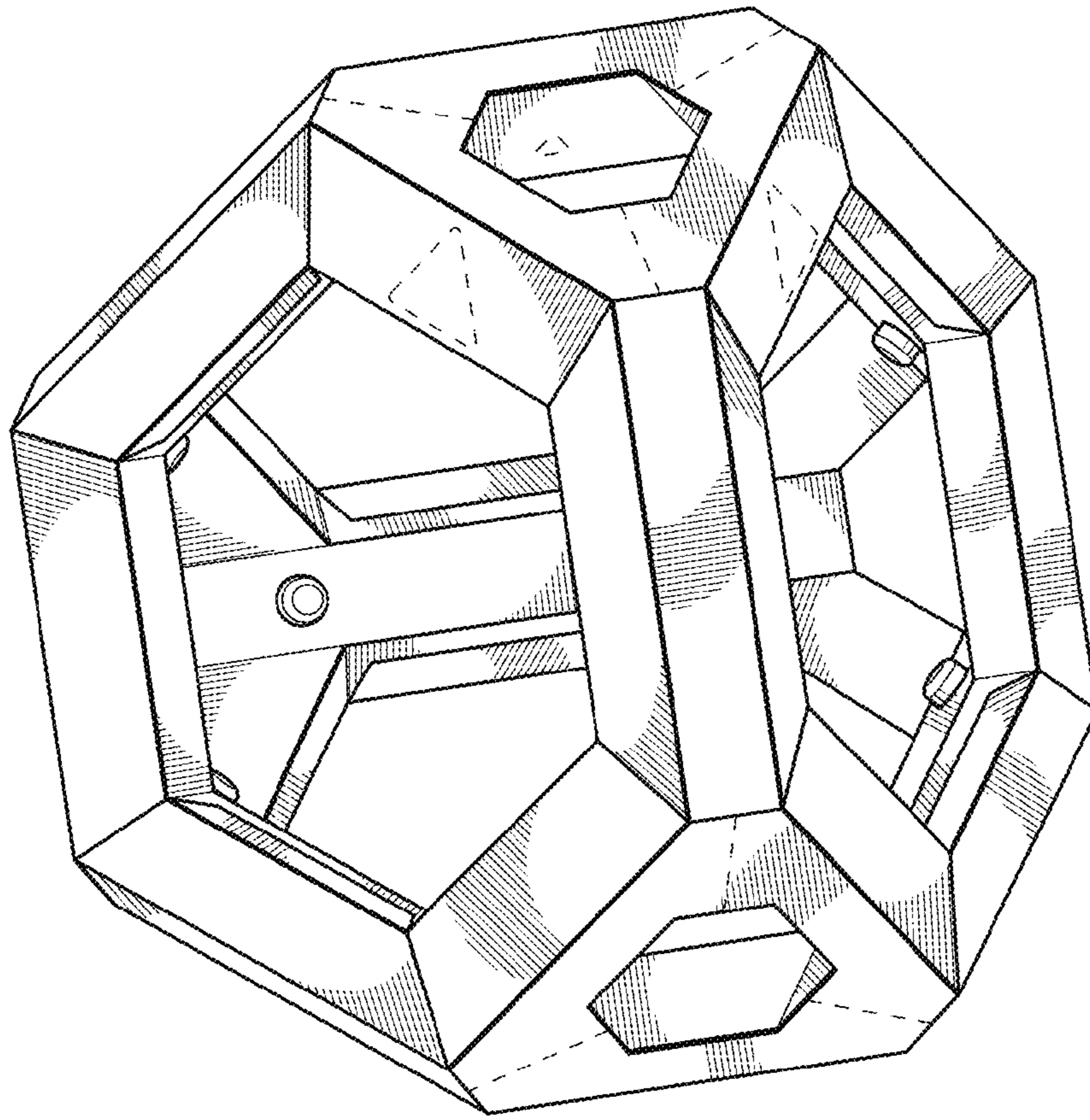


FIG. 1

FIG. 2

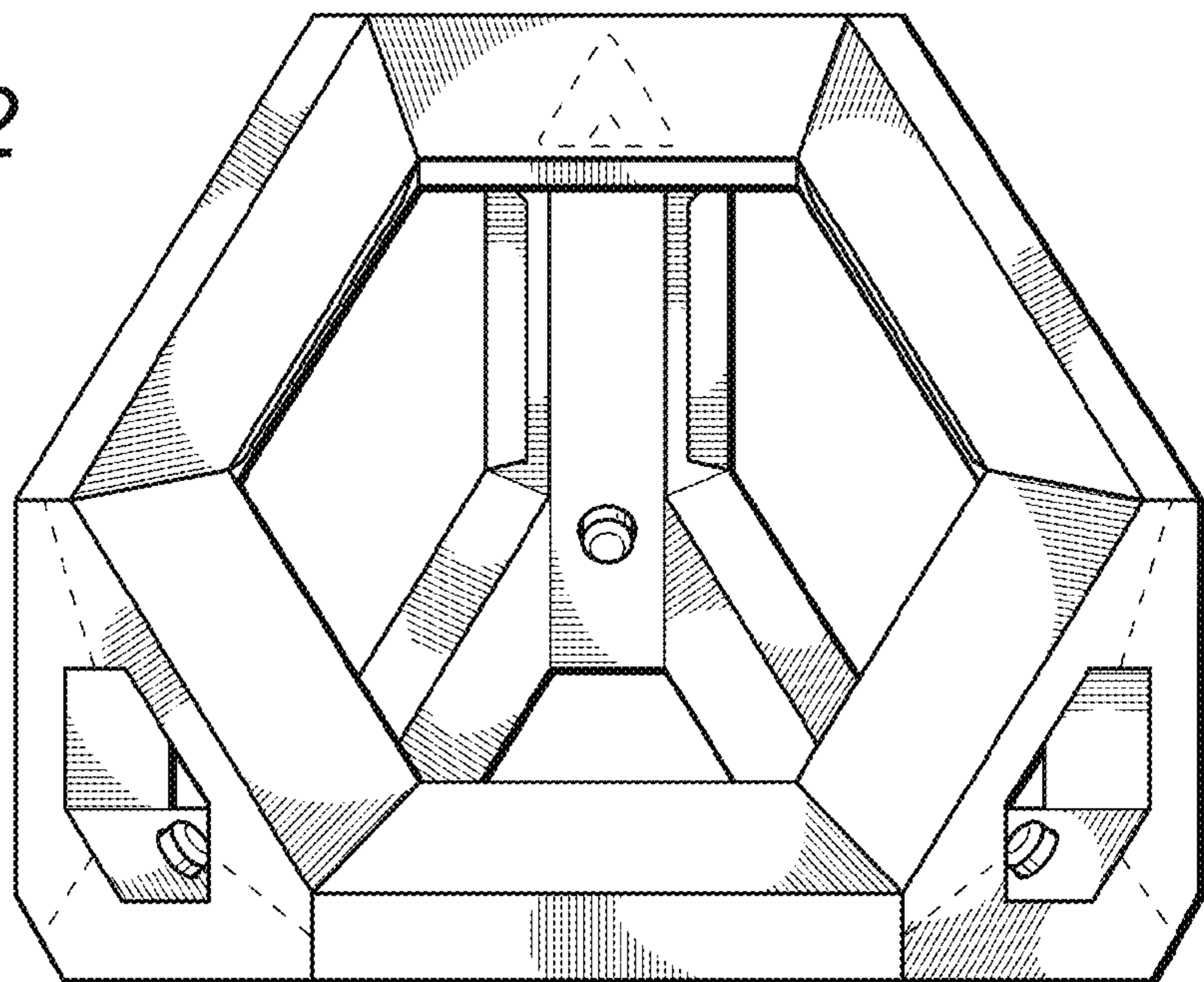


FIG. 3

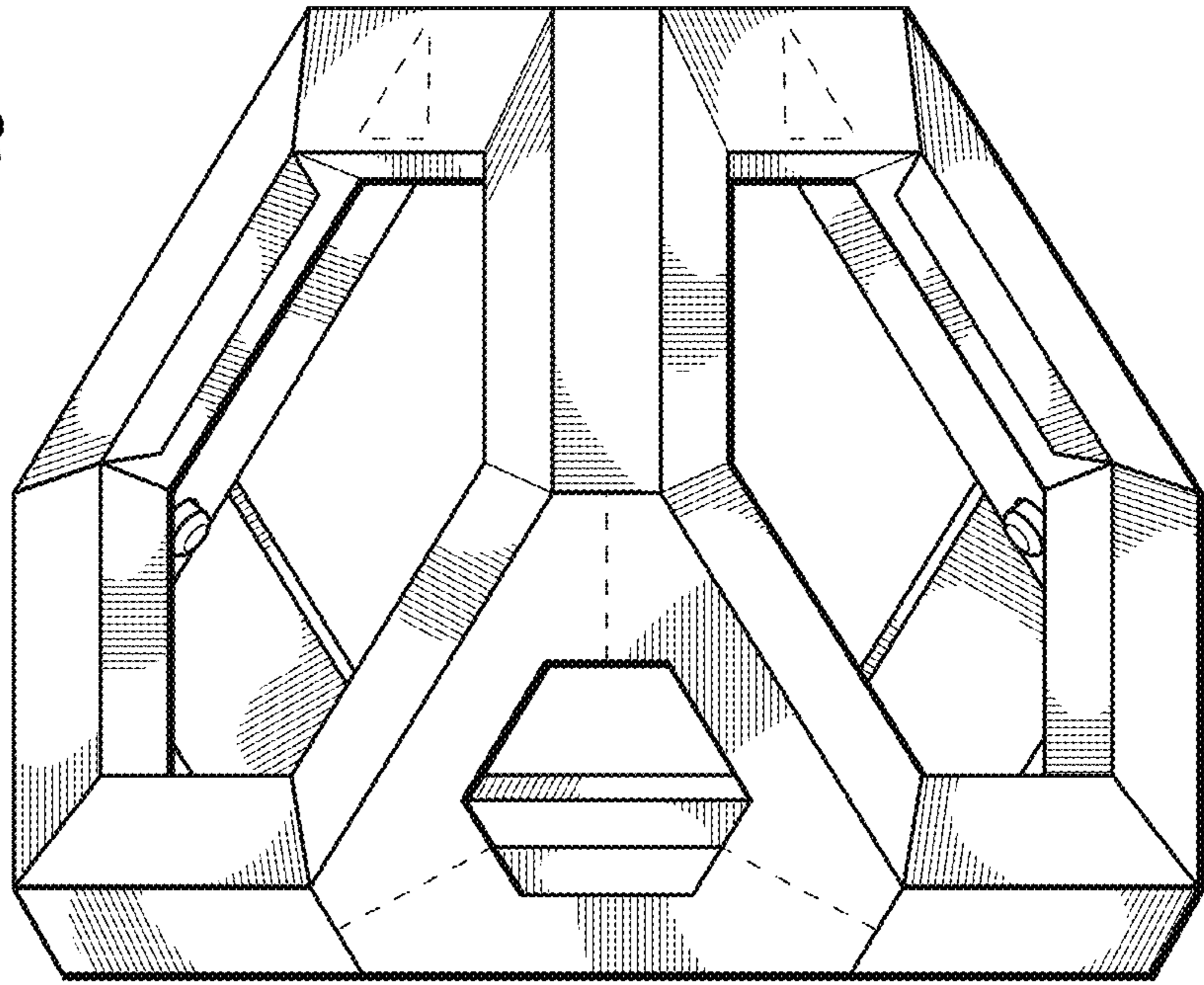


FIG. 4

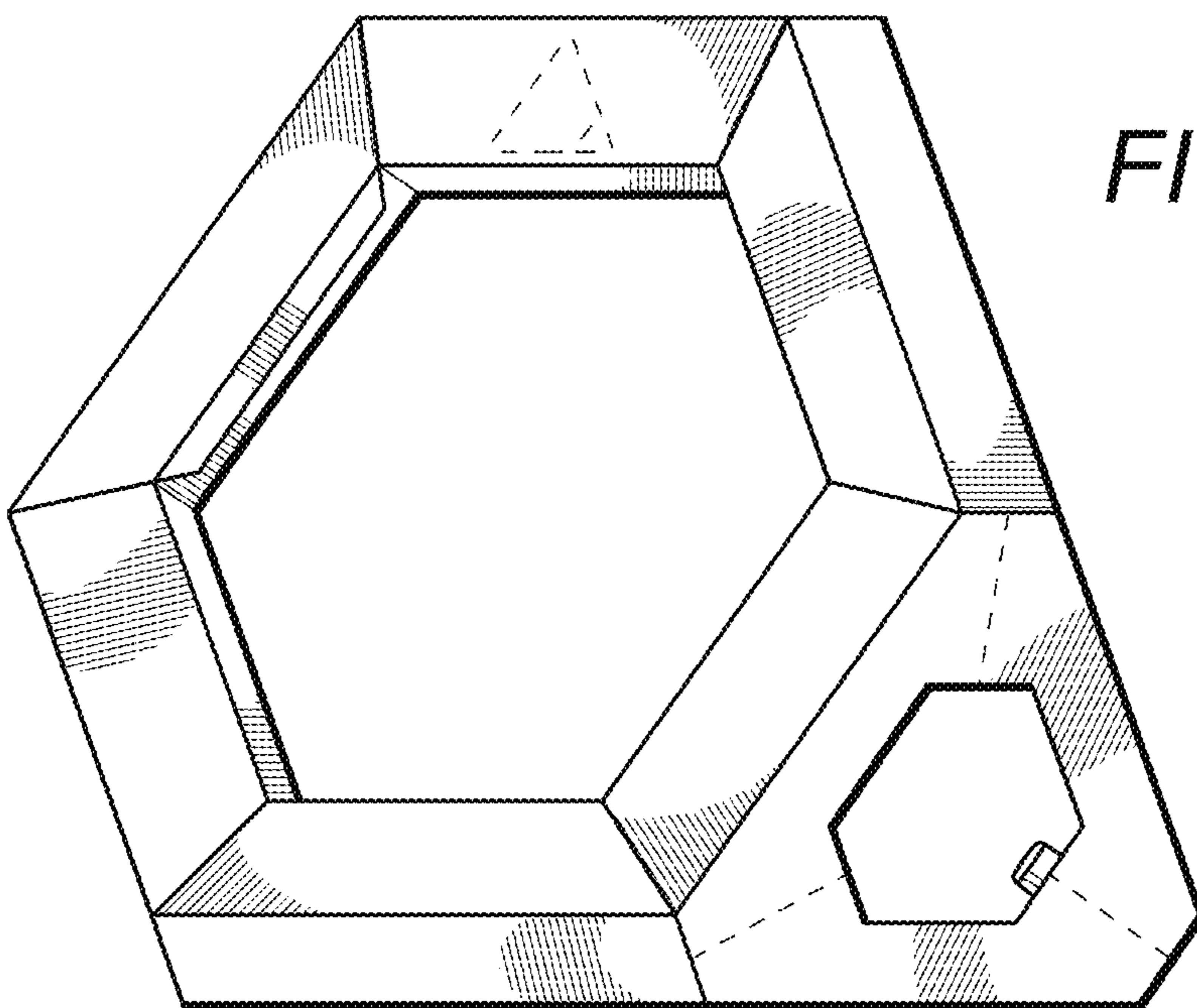


FIG. 5

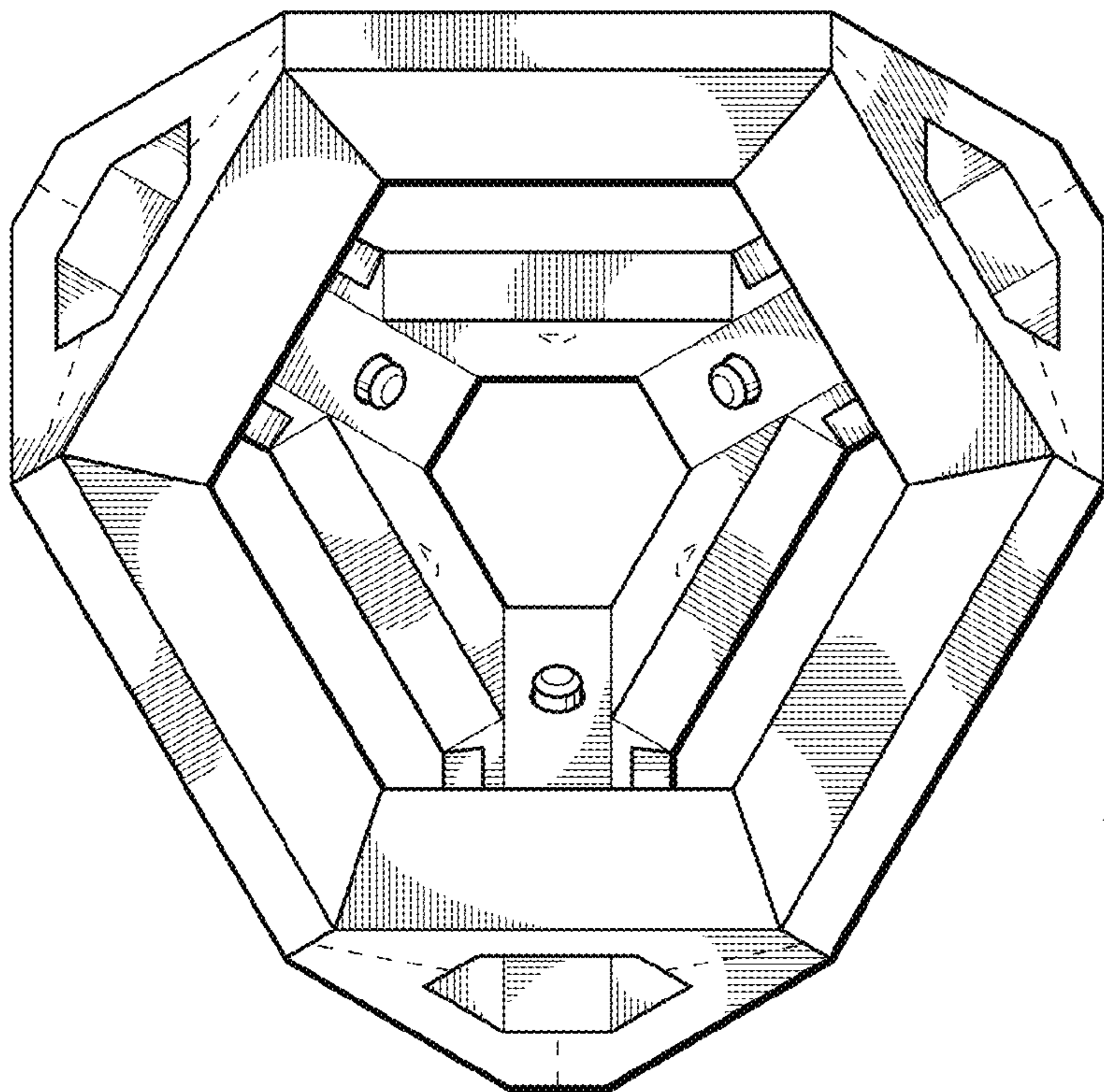
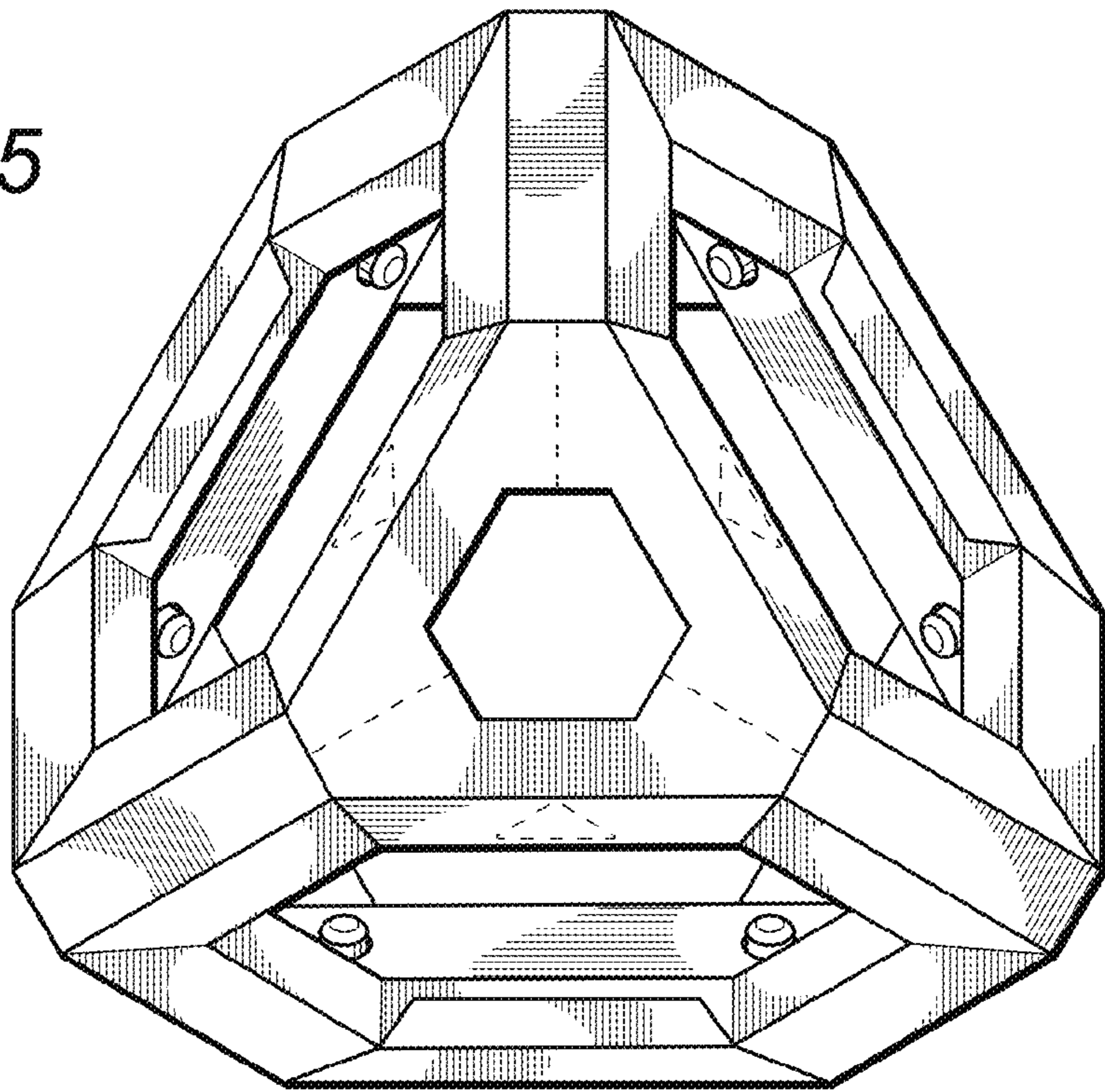


FIG. 6