



US00D877642S

(12) **United States Design Patent**
Fillon

(10) **Patent No.:** **US D877,642 S**
(45) **Date of Patent:** **** Mar. 10, 2020**

(54) **JEWELRY ARTICLE**

A44C 9/0007; A44C 9/0015; A44C
9/0023; A44C 9/0061; A44C

(71) Applicant: **CARTIER INTERNATIONAL AG,**
Steinhausen (CH)

(Continued)

(72) Inventor: **Arnaud Fillon,** Paris (FR)

(56) **References Cited**

(73) Assignee: **CARTIER INTERNATIONAL AG,**
Steinhausen (CH)

U.S. PATENT DOCUMENTS

(**) Term: **15 Years**

D128,297 S * 7/1941 Healy D11/5
5,147,093 A * 9/1992 Tisdale A63F 9/0876
273/153 R

(21) Appl. No.: **29/673,305**

(Continued)

(22) Filed: **Dec. 13, 2018**

FOREIGN PATENT DOCUMENTS

(30) **Foreign Application Priority Data**

CN 304704403 * 12/2017
CN 304481891 * 1/2018

Jun. 14, 2018 (WO) 9599701

OTHER PUBLICATIONS

(51) **LOC (12) Cl.** **11-01**

Fall for me_ luxury autumn fashion 2018, Sep. 8, 2018, [online],
[site visited Dec. 17, 2019]. Retrieved from url: <https://www.thetimes.co.uk/article/fall-for-me-luxury-autumn-fashion2018-zpf70qtr8> (Year: 2018).*

(52) **U.S. Cl.**

USPC **D11/26;** D11/4

(58) **Field of Classification Search**

USPC D11/1-6, 9-20, 40-45, 48, 78.1, 79, 80,
D11/81, 86, 87, 93, 94, 26, 38, 39, 27,
D11/28, 29, 30, 34, 35, 36, 37; D10/32,
D10/37; 116/321, 322; D19/1-8;
D24/194; D30/160; D3/207; D8/397,
D8/387

(Continued)

CPC A44C 5/14; A44C 5/0053; A44C 5/0069;
A44C 5/0076; A44C 5/00; A44C 5/0007;
A44C 5/0015; A44C 5/0023; A44C
5/003; A44C 5/0061; A44C 5/12; A44C
5/147; A44C 5/18; A44C 5/185; A44C
5/2047; A44C 5/2052; A44C 11/00; A44C
11/002; A44C 7/002; A44C 7/003; A44C
7/004; A44C 7/005; A44C 7/006; A44C
7/007; A44C 7/008; A44C 7/009; A44C
15/005; A44C 15/0055; A44C 23/00;
A44C 25/008; A44C 5/04; A44C 5/06;
A44C 5/08; A44C 5/10; A44C 5/022;
A44C 5/025; A44C 5/027; A44C 5/102;
A44C 5/105; A44C 5/107; A44C 11/007;
A44C 15/001; A44C 13/00; A44C 9/00;

Primary Examiner — Jeffrey D Asch
Assistant Examiner — Tracey J Bell
(74) *Attorney, Agent, or Firm* — Oliff PLC

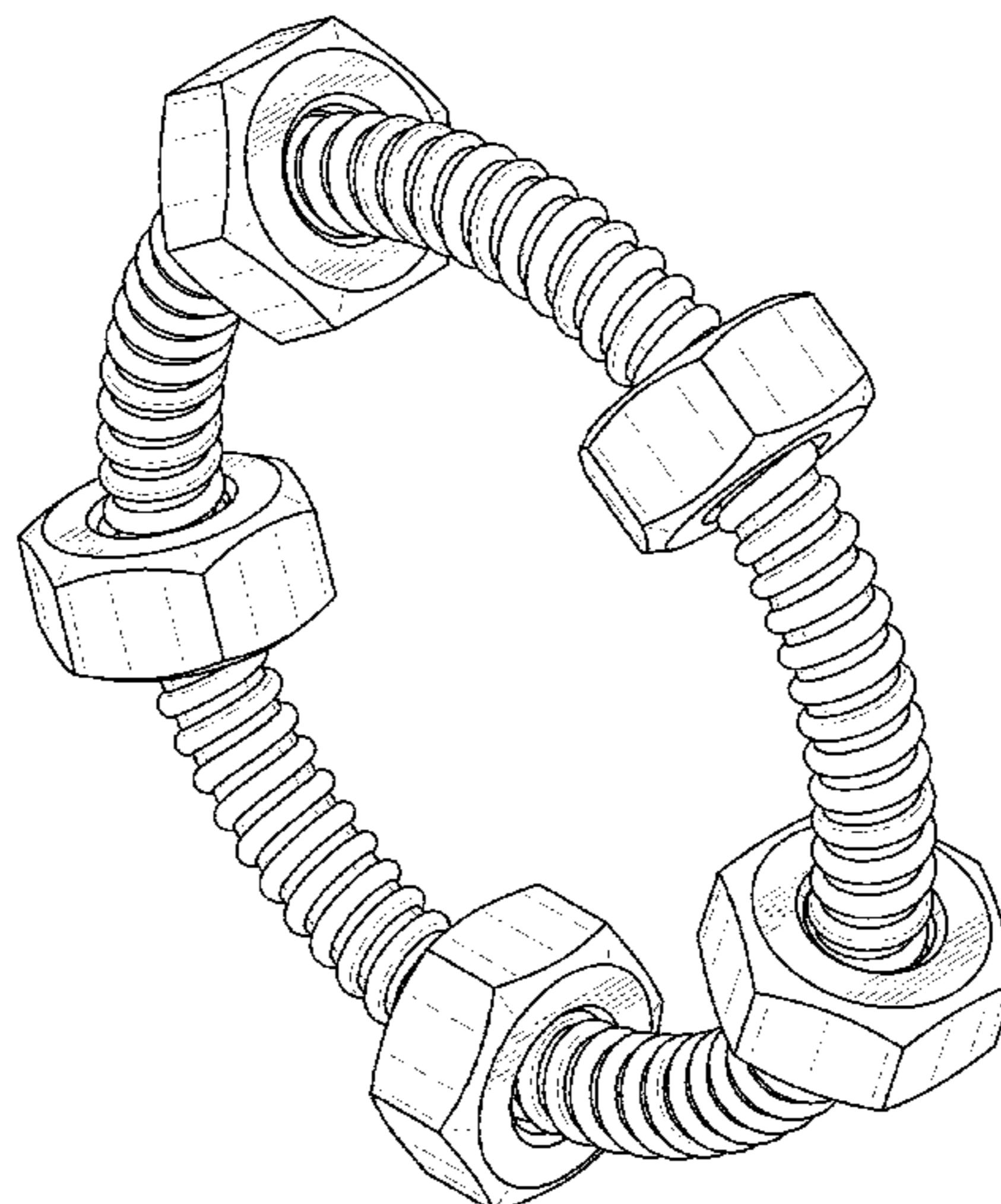
(57) **CLAIM**

The ornamental design for a jewelry article, as shown and described.

DESCRIPTION

FIG. 1 is a perspective view of the jewelry article;
FIG. 2 is a front view thereof;
FIG. 3 is a rear view thereof;
FIG. 4 is a top view thereof;
FIG. 5 is a bottom view thereof;
FIG. 6 is a left-side view thereof; and,
FIG. 7 is a right-side view thereof.

1 Claim, 7 Drawing Sheets



(58) **Field of Classification Search**

CPC 9/02; A44C 5/0038; A44C 17/0233; G06M
1/24; G09F 3/005

See application file for complete search history.

D825,372 S * 8/2018 Bonner D11/79
2018/0220755 A1* 8/2018 Bonner A44C 17/0233
2019/0358559 A1* 11/2019 Bennett A44C 5/0007

OTHER PUBLICATIONS

(56)

References Cited

U.S. PATENT DOCUMENTS

D365,040 S * 12/1995 Whitman D11/131
D405,380 S * 2/1999 Maurizio D11/3
D646,192 S * 10/2011 Woode D11/3
D718,176 S * 11/2014 Burns D11/81
D722,520 S * 2/2015 Marchand D11/44
D804,982 S * 12/2017 Bonner D11/79
D804,983 S * 12/2017 Bonner D11/79
D813,706 S * 3/2018 Bonner D11/26
D813,707 S * 3/2018 Bonner D11/26
D815,553 S * 4/2018 Fillon D11/4
D815,974 S * 4/2018 Bonner D11/28
D824,274 S * 7/2018 Trafton D11/3
D825,371 S * 8/2018 Bonner D11/79

Revvng Things Up, Cartier Gave a Car Garage the Midas Touch for Its Star-Studded Fashion Week Party, Sep. 13, 2018, [online], [site visited Dec. 17, 2019]. Retrieved from url:<https://news.artnet.com/art-world/cartier-fashion-week-1345811-1345811> (Year: 2018).*

Jewel of the Day_ Kiley Granberg Nut and Bolt Wedding Rings, Aug. 12, 2014, [online], [site visited Dec. 17, 2019]. Retrieved from url:<https://suruchijadhav1.wordpress.com/2014/08/12/jewel-of-the-day-kiley-granberg-nut-and-bolt-wedding-rings/> (Year: 2014).*

Etsy Vintage Tiffany & Co. Screw Nut Bolt Key Ring, no date available, [online], [site visited Dec. 17, 2019]. Retrieved from url:<https://www.etsy.com/listing/613527689/vintage-tiffany-co-screw-nut-bolt-key> (Year: 2019).*

Etsy Brass Bolt Bracelet, available as early as Nov. 13, 2019, [online], [site visited Dec. 17, 2019]. Retrieved from url: <https://www.etsy.com/listing/88291583/brass-bolt-bracelet> (Year: 2019).*

* cited by examiner

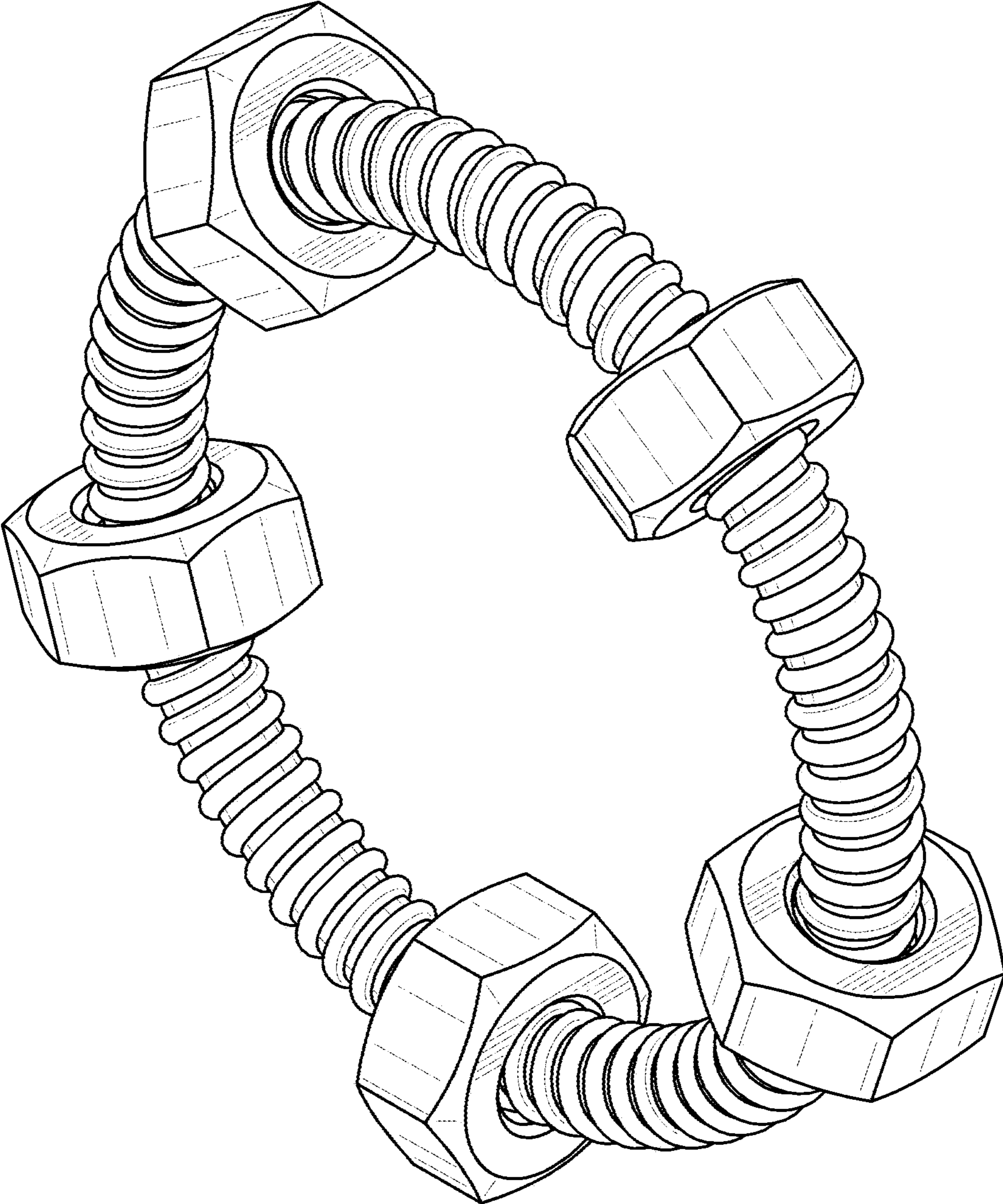


FIG. 1

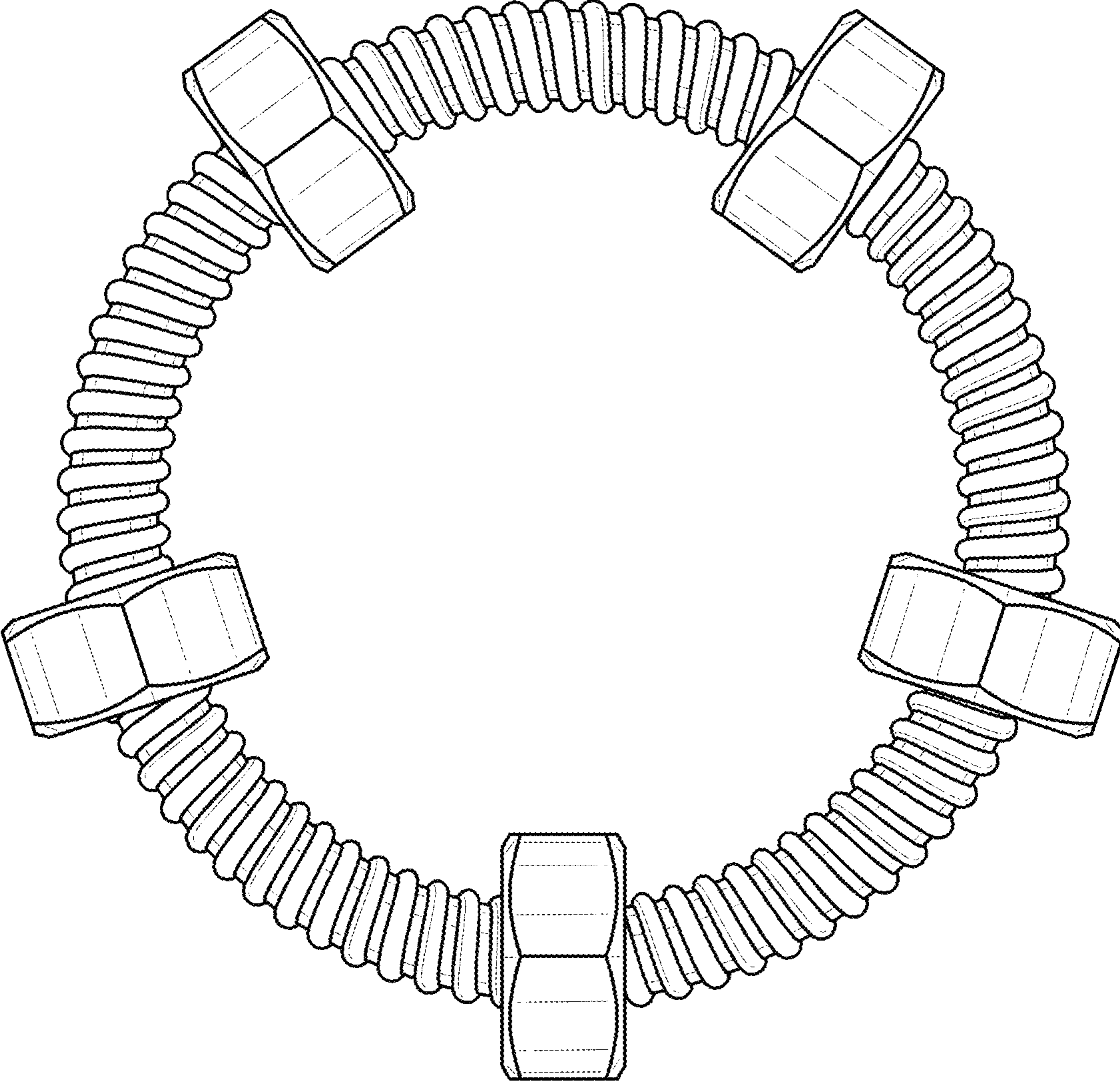


FIG. 2

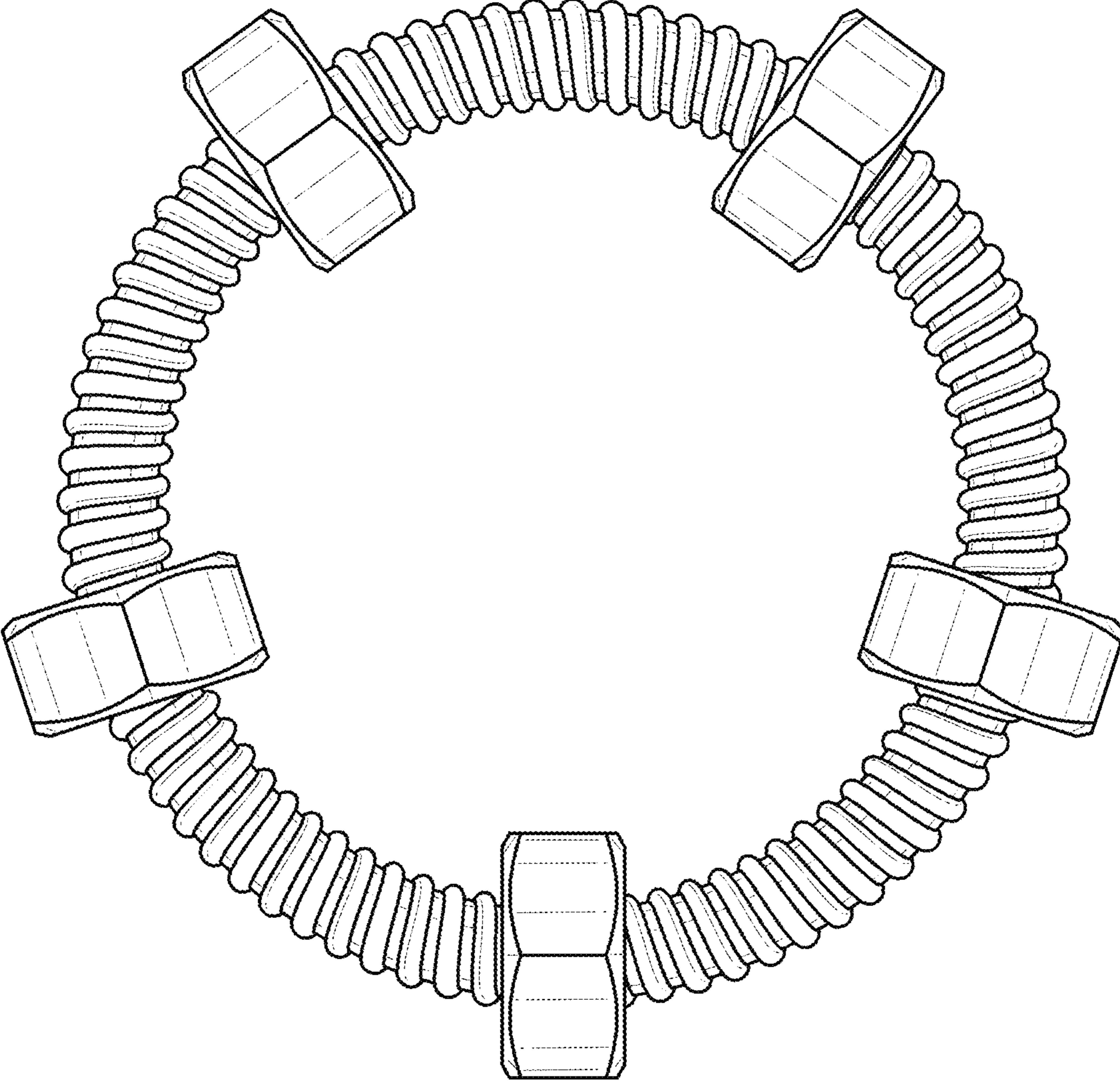


FIG. 3

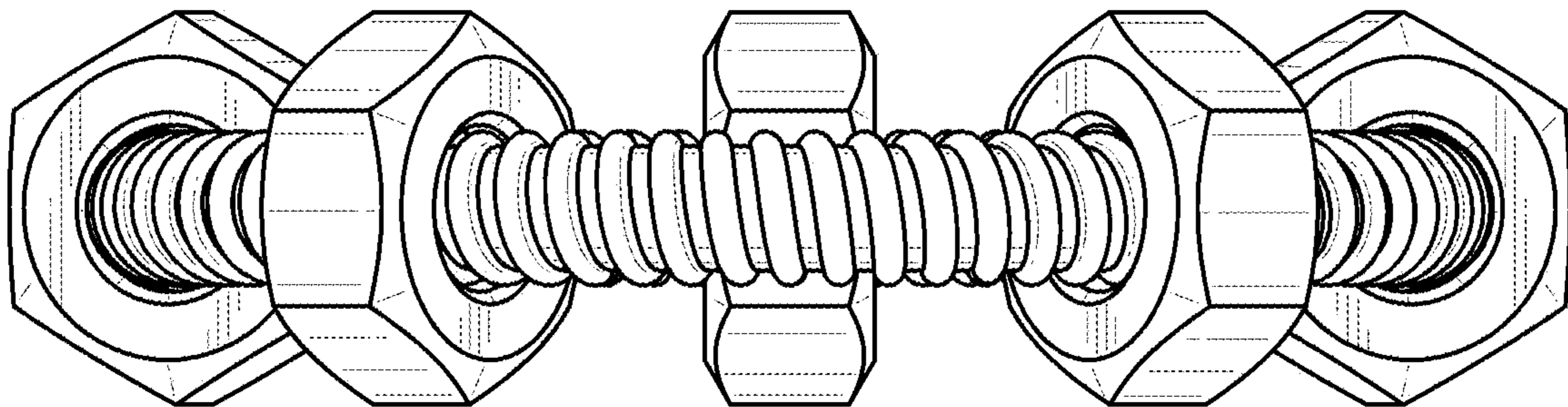


FIG. 4

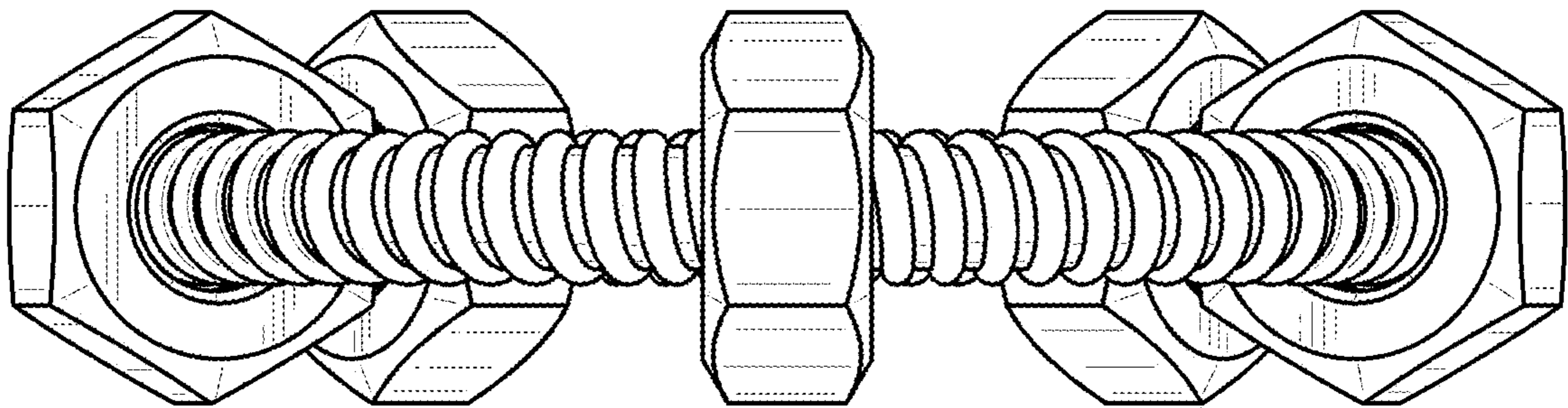


FIG. 5

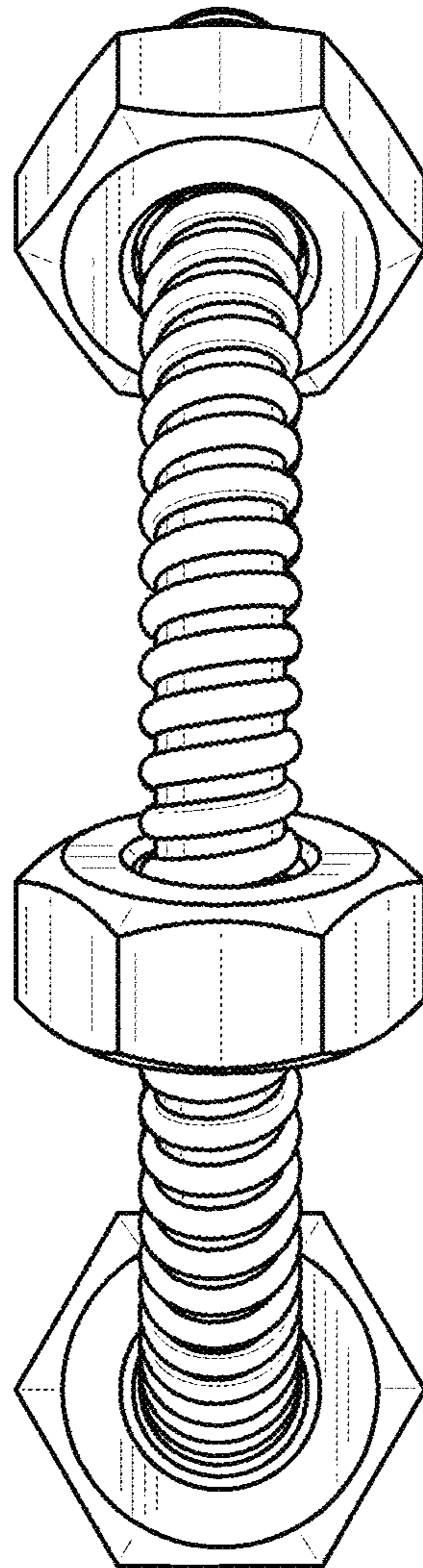


FIG. 6

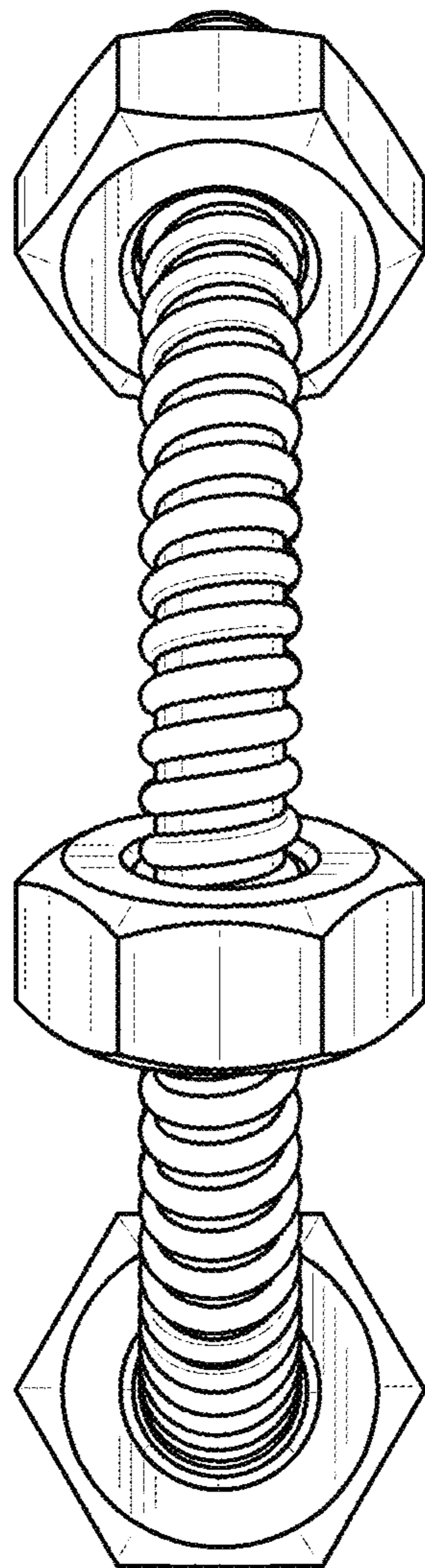


FIG. 7