



US00D877640S

(12) **United States Design Patent**
Silvestri

(10) **Patent No.:** **US D877,640 S**

(45) **Date of Patent:** **** Mar. 10, 2020**

(54) **BRACELET**

(71) Applicant: **Bulgari S.p.A.**, Rome (IT)

(72) Inventor: **Lucia Silvestri**, Rome (IT)

(73) Assignee: **BULGARI S.P.A.**, Rome (IT)

(**) Term: **15 Years**

(21) Appl. No.: **29/659,865**

(22) Filed: **Aug. 13, 2018**

(30) **Foreign Application Priority Data**

Feb. 13, 2018 (WO) 6361801

(51) **LOC (12) Cl.** **11-01**

(52) **U.S. Cl.**
USPC **D11/14**

(58) **Field of Classification Search**
USPC D11/1-14, 16
CPC .. A44C 5/00; A44C 5/02; A44C 5/022; A44C
5/025; A44C 5/027; A44C 5/04; A44C
5/08; A44C 5/10; A44C 5/102; A44C
5/105; A44C 5/107; A44C 5/12; A44C
11/00; A44C 13/00; A44C 15/00; A44C
15/0005; A44C 15/001

See application file for complete search history.

(56) **References Cited**

U.S. PATENT DOCUMENTS

D80,786 S * 3/1930 Granat D11/86
D129,386 S * 9/1941 Wilmarth D11/10
D271,478 S * 11/1983 Kelman D11/6

D282,727 S * 2/1986 Bulgari D11/3
D287,949 S * 1/1987 Bulgari D11/6
D322,944 S * 1/1992 Yurman D11/4
D368,047 S * 3/1996 Samuel D11/3
D378,501 S * 3/1997 Garzi D11/4
D469,373 S * 1/2003 Torres D11/4
D470,430 S * 2/2003 Torres D11/4
D551,111 S * 9/2007 Beard D11/13
D576,511 S * 9/2008 Cunningham D11/8
D684,496 S * 6/2013 Haimoff D11/3
D690,616 S * 10/2013 Membretti D11/79
D724,984 S * 3/2015 Kellough D11/3
D817,214 S * 5/2018 Qin D11/11
D823,709 S * 7/2018 Qin D11/11
D837,083 S * 1/2019 Tateossian D11/6

* cited by examiner

Primary Examiner — L. Martinez

(74) *Attorney, Agent, or Firm* — Stephen Kenny; Peter Sullivan; Foley Hoag, LLP

(57) **CLAIM**

The ornamental design for a bracelet, as shown and described.

DESCRIPTION

FIG. 1 is a front view of the bracelet showing my new design.

FIG. 2 is a back view thereof.

FIG. 3 is a perspective view thereof.

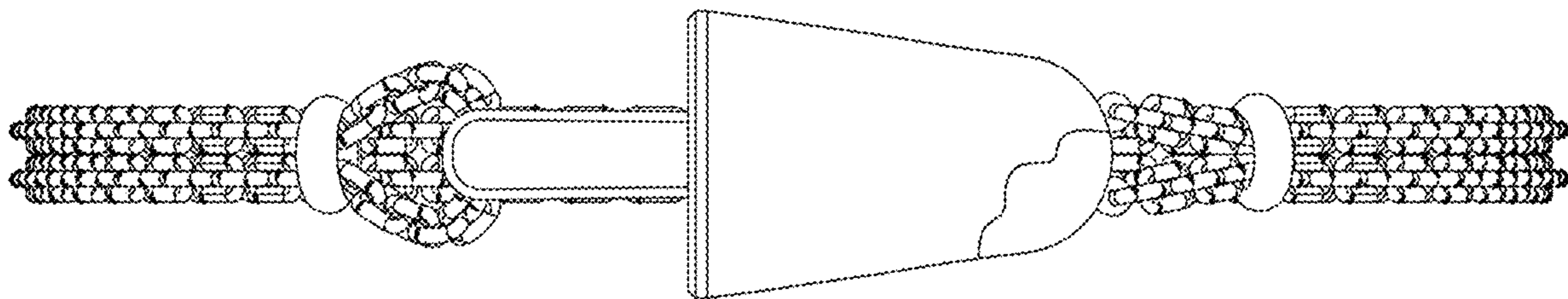
FIG. 4 is a bottom view thereof.

FIG. 5 is a top view thereof.

FIG. 6 is a right view thereof; and,

FIG. 7 is a left view thereof.

1 Claim, 7 Drawing Sheets



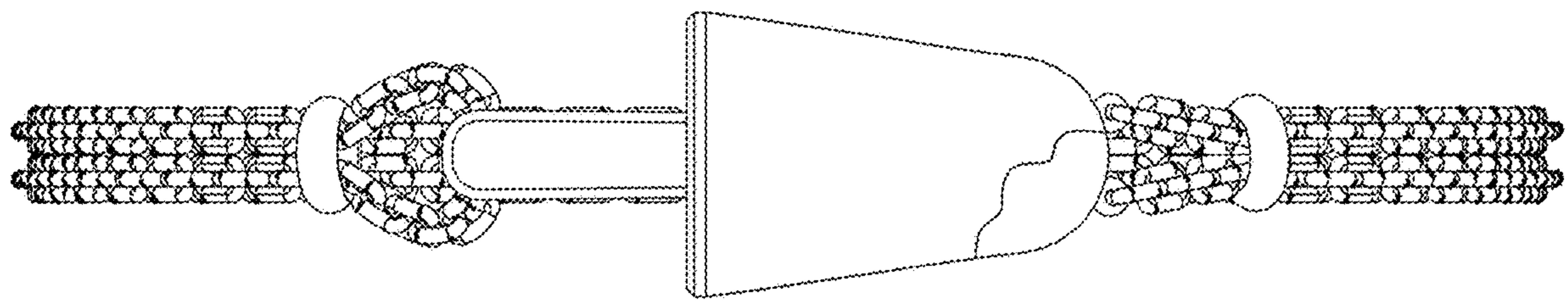


FIG. 1

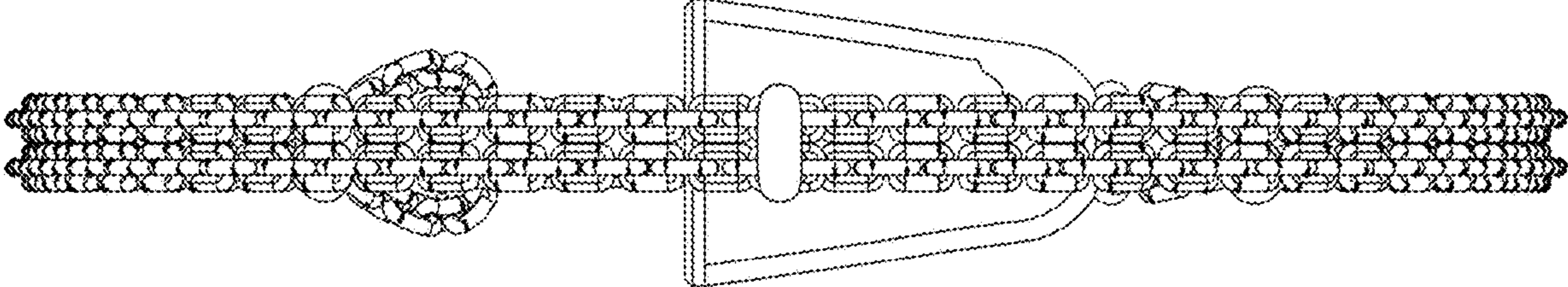


FIG.2

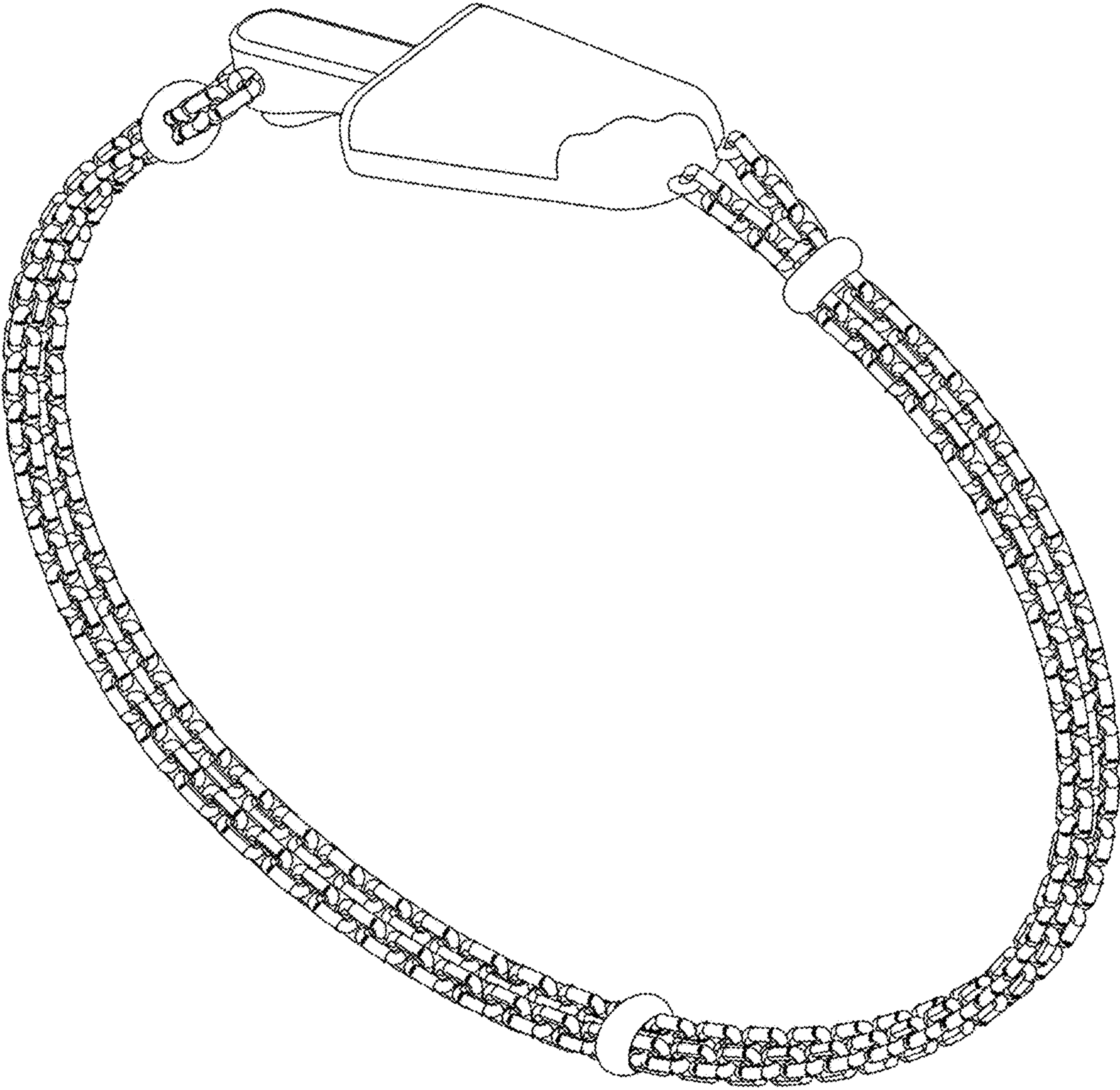


FIG.3

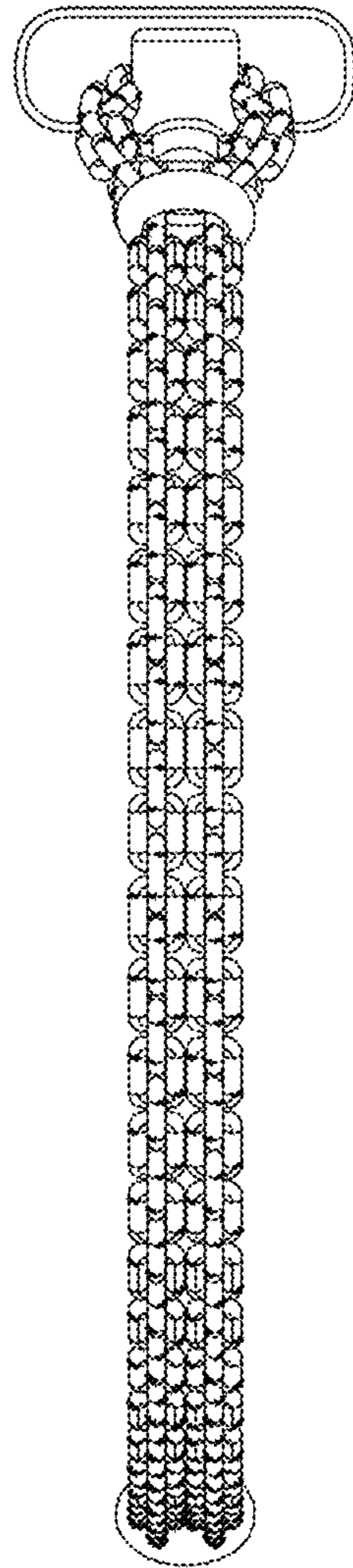


FIG.4

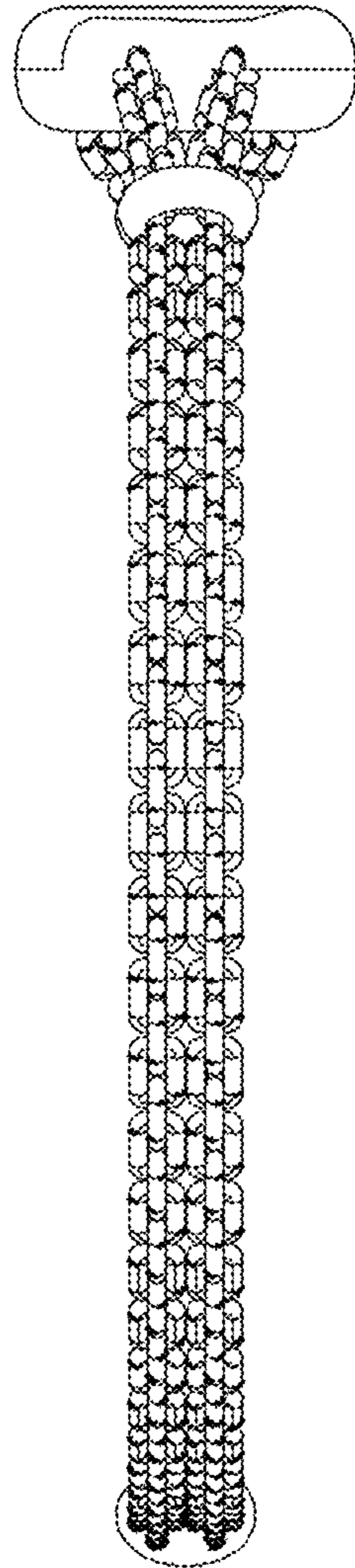


FIG. 5

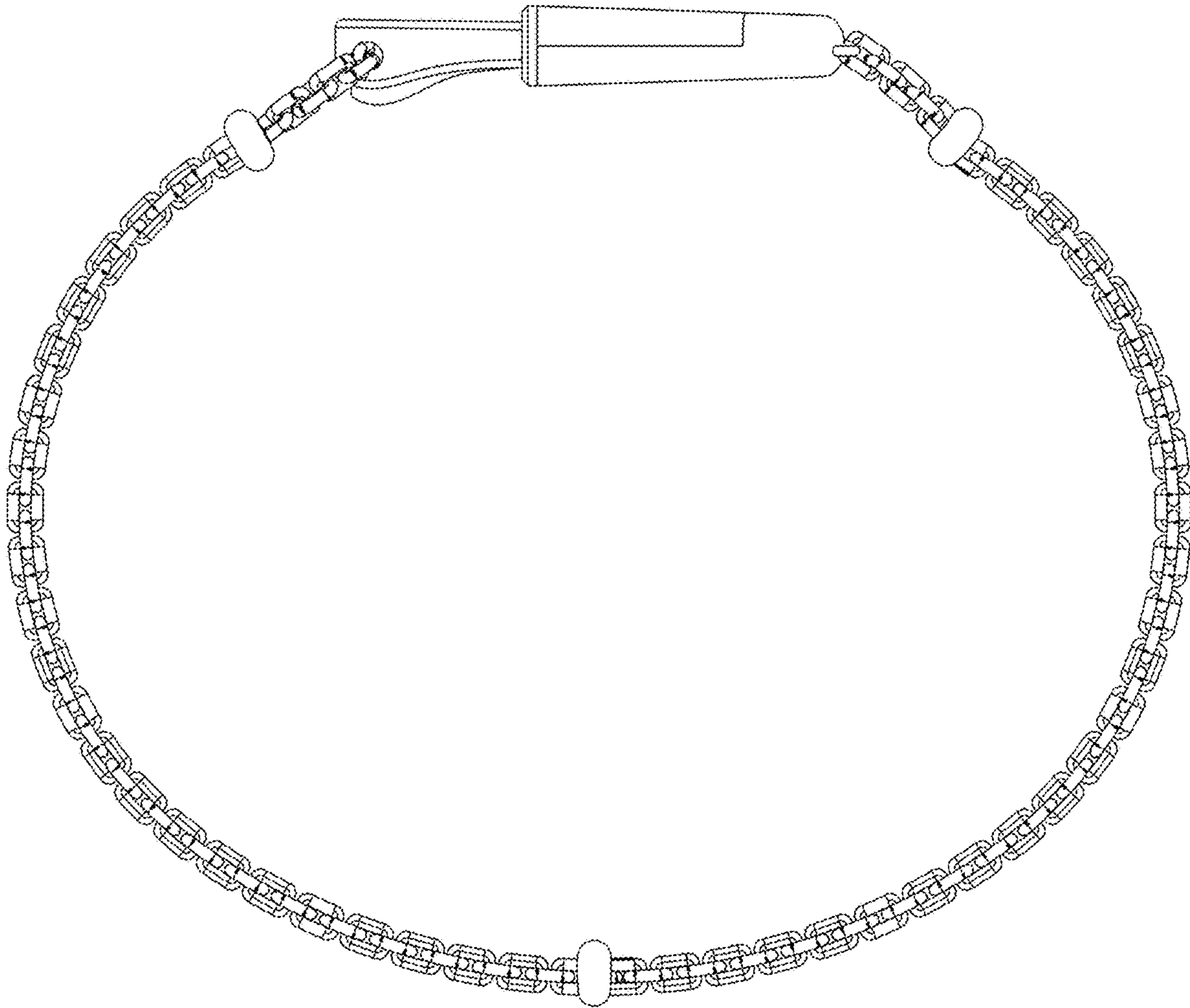


FIG. 6

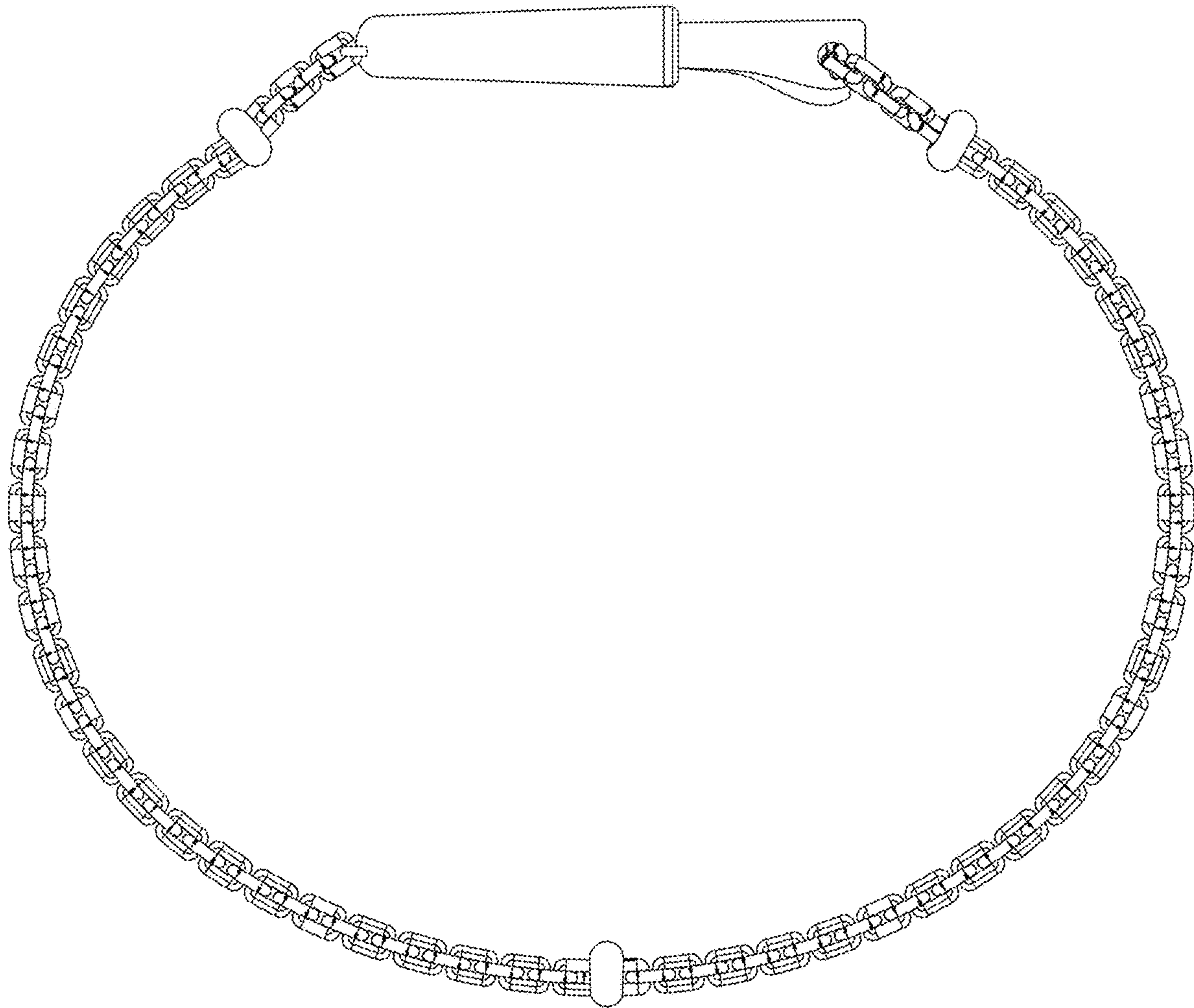


FIG. 7