



US00D877637S

(12) **United States Design Patent**
Haag

(10) **Patent No.:** **US D877,637 S**
(45) **Date of Patent:** **** Mar. 10, 2020**

(54) **COMBINED DISPLAY AND OPERATING DEVICE**

(71) Applicant: **Robert Bosch GmbH**, Stuttgart (DE)

(72) Inventor: **Frieder Haag**, Wannweil (DE)

(73) Assignee: **Robert Bosch GmbH**, Stuttgart (DE)

(**) Term: **15 Years**

(21) Appl. No.: **29/647,294**

(22) Filed: **May 11, 2018**

(30) **Foreign Application Priority Data**

Nov. 13, 2017 (EM) 004504504

(51) **LOC (12) Cl.** **10-04**

(52) **U.S. Cl.**
USPC **D10/98**; D14/447; D14/432

(58) **Field of Classification Search**
USPC ... D10/141.1, 159, 218, 219, 220, 221, 222, D10/223, 224, 224.1, 225, 227, 228, 229, D10/259, 341, 344, 345, 299, 432, 447, D10/253; D12/114, 223; D10/98
CPC . H04R 1/00; H04R 1/02; H04R 1/326; H04R 1/406; H04R 1/083; H04R 1/222; H04R 1/1041; H04R 1/023; H04R 7/00; H04R 7/20; H04R 27/00; H04R 2201/00; H04R 2400/00; H04R 17/02; H04R 29/004;
(Continued)

(56) **References Cited**

U.S. PATENT DOCUMENTS

D312,052 S * 11/1990 Read D10/98
D328,037 S * 7/1992 Mercat D10/98
(Continued)

FOREIGN PATENT DOCUMENTS

WO WO-2008073079 A1 * 6/2008 G01P 3/50

OTHER PUBLICATIONS

Bosch Kiox color computer, a new way to control & track your e-bike, posted Sep. 18, 2018 [online], retrieved 38 Mar. 2019, retrieved from internet, <<https://e-bikerumor.com/2018/09/18/bosch-kiox-color-computer-new-way-control-track-e-bike/>>.*

Primary Examiner — Barbara Fox

Assistant Examiner — Messina L Smith

(74) *Attorney, Agent, or Firm* — Maginot, Moore & Beck LLP

(57) **CLAIM**

The ornamental design for a combined display and operating device, as shown and described.

DESCRIPTION

Cross reference is made to copending U.S. design patent application Ser. No. 29/647,290 entitled “Display and Operating Device” by Haag, Frieder, which was filed on even date herewith; and U.S. design patent application Ser. No. 29/647,291 entitled “Display and Operating Device” by Haag, Frieder, which was filed on even date herewith.

FIG. 1 is a perspective view of a combined display and operating device showing my new design;

FIG. 2 is a front elevational view of the combined display and operating device of FIG. 1;

FIG. 3 is a rear elevational view of the combined display and operating device of FIG. 1;

FIG. 4 is a right side elevational view of the combined display and operating device of FIG. 1;

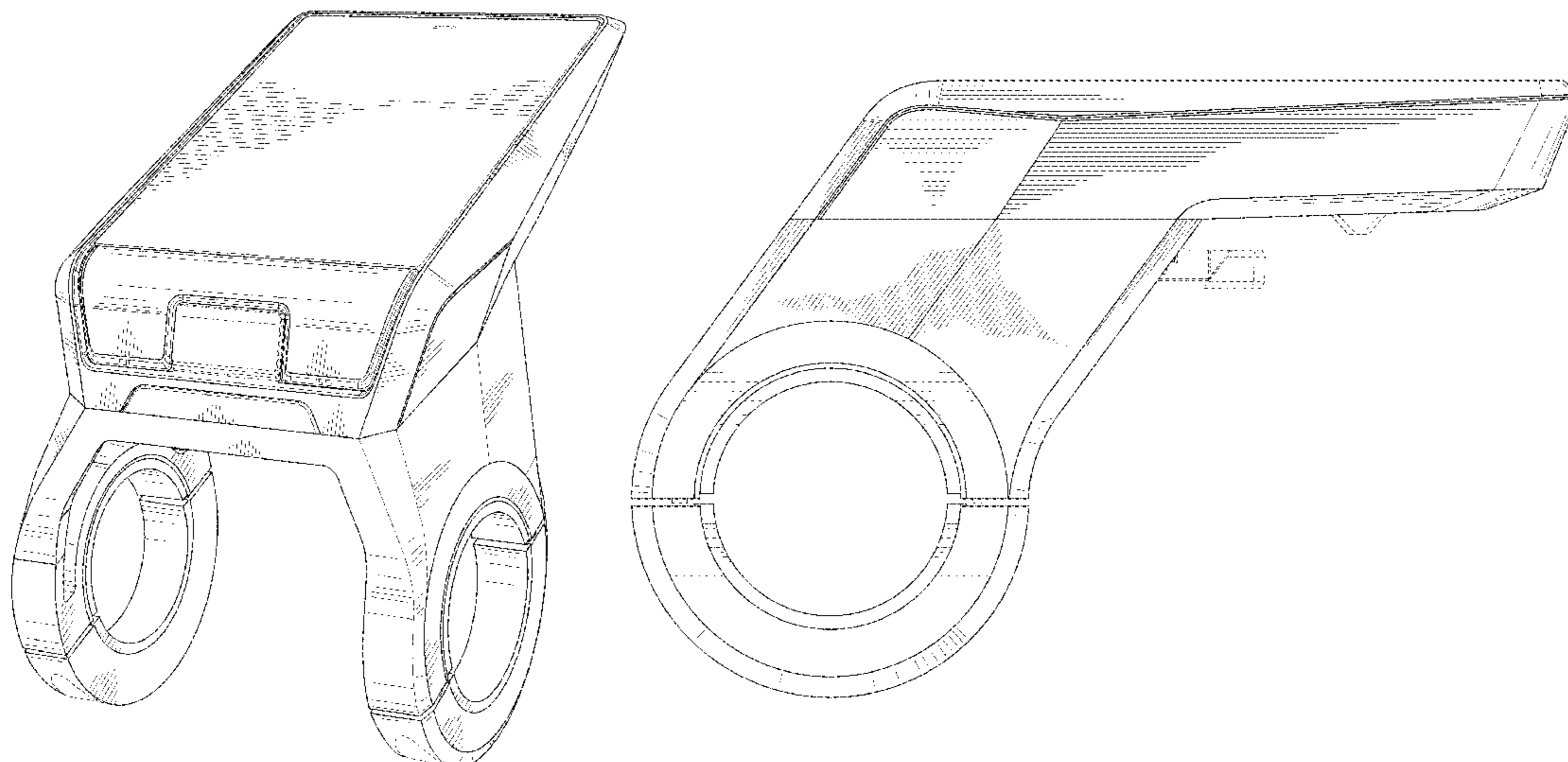
FIG. 5 is a left side elevational view of the combined display and operating device of FIG. 1;

FIG. 6 is a top plan view of the combined display and operating device of FIG. 1; and,

FIG. 7 is a bottom plan view of the combined display and operating device of FIG. 1.

The broken lines shown in the drawings illustrate portions of the combined display and operating device that form no part of the claimed design.

1 Claim, 7 Drawing Sheets



(58) **Field of Classification Search**

CPC . H04R 29/005; H04R 19/04; H04R 2420/07;
 H04R 2410/00; H04R 2410/01; H04R
 5/02; G02B 27/01

See application file for complete search history.

(56) **References Cited**

U.S. PATENT DOCUMENTS

D332,576 S * 1/1993 Huen D10/98
 5,353,953 A * 10/1994 Sakaemura F16J 15/14
 220/602
 D419,897 S * 2/2000 Storck D10/98
 6,069,788 A * 5/2000 Masui B62J 11/00
 324/160
 6,192,300 B1 * 2/2001 Watarai B62J 99/00
 340/432
 6,682,087 B1 * 1/2004 Takeda B62J 99/00
 280/238
 D528,451 S * 9/2006 Cunningham D10/98
 D593,552 S * 6/2009 Ferrari D14/341
 D608,781 S * 1/2010 Wada D10/65
 D613,285 S * 4/2010 Grant D14/341
 D622,721 S * 8/2010 Wood D14/341
 D626,550 S * 11/2010 Julien D14/341
 D652,034 S * 1/2012 Ferrari D14/341

8,627,990 B2 * 1/2014 Nakajima B62J 9/008
 224/420
 D703,661 S * 4/2014 Krause D14/341
 D708,977 S * 7/2014 Corso D10/104.1
 D711,755 S * 8/2014 Dasbach D10/70
 D711,757 S * 8/2014 Dasbach D10/103
 D720,637 S * 1/2015 Au Yeung D10/70
 D732,992 S * 6/2015 Dasbach D10/70
 D746,252 S * 12/2015 Reimer D14/155
 D777,591 S * 1/2017 Haapakoski D10/98
 D779,351 S * 2/2017 Kawakami D10/98
 D788,105 S * 5/2017 Heck D14/344
 D793,386 S * 8/2017 Park D14/341
 D804,342 S * 12/2017 Zhang D10/98
 D809,502 S * 2/2018 Henne D14/341
 D813,863 S * 3/2018 Barea D14/341
 D822,835 S * 7/2018 Paschke D24/167
 D823,836 S * 7/2018 Eaton D14/229
 D826,742 S * 8/2018 Lutz D10/65
 D832,837 S * 11/2018 Pennington, Jr. D14/348
 D840,051 S * 2/2019 Schulz D24/224
 D842,149 S * 3/2019 Haag D10/98
 D850,962 S * 6/2019 Mendez D10/98
 2009/0063049 A1 * 3/2009 Swisher A63B 24/0062
 701/469
 2010/0246199 A1 * 9/2010 Ma B62J 6/02
 362/474
 2018/0203488 A1 * 7/2018 Hawkins, III G06F 1/1626

* cited by examiner

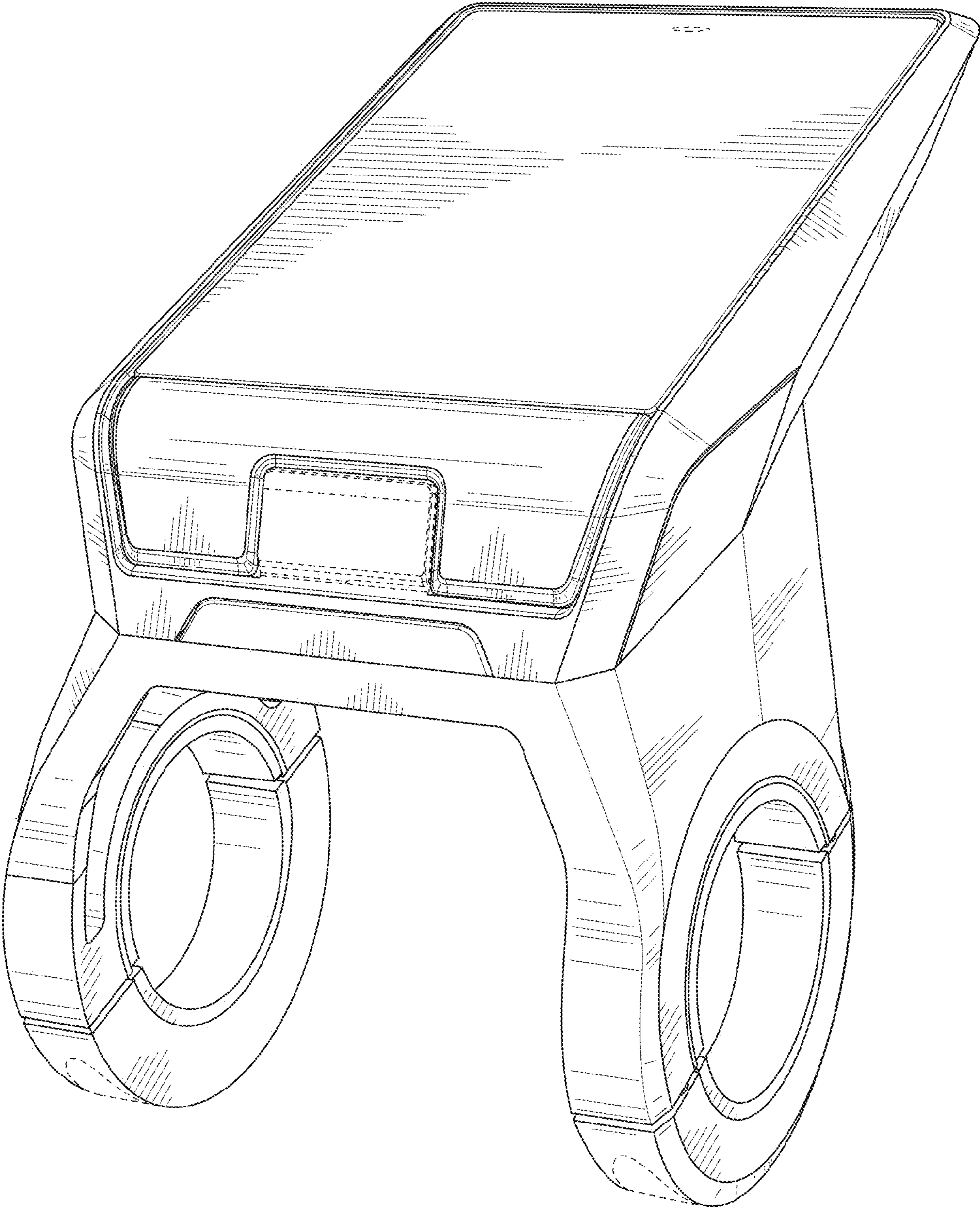


FIG. 1

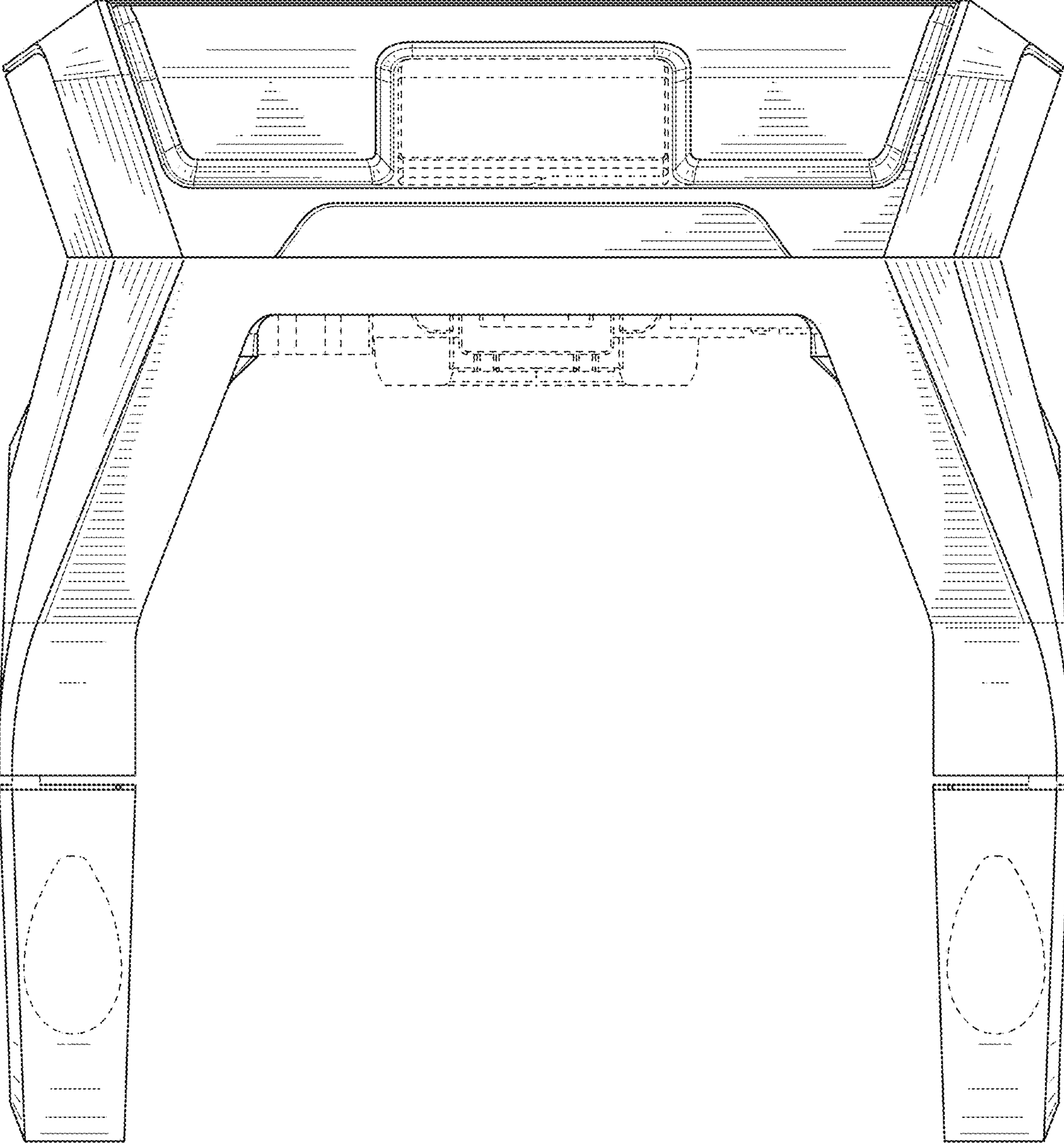


FIG. 2

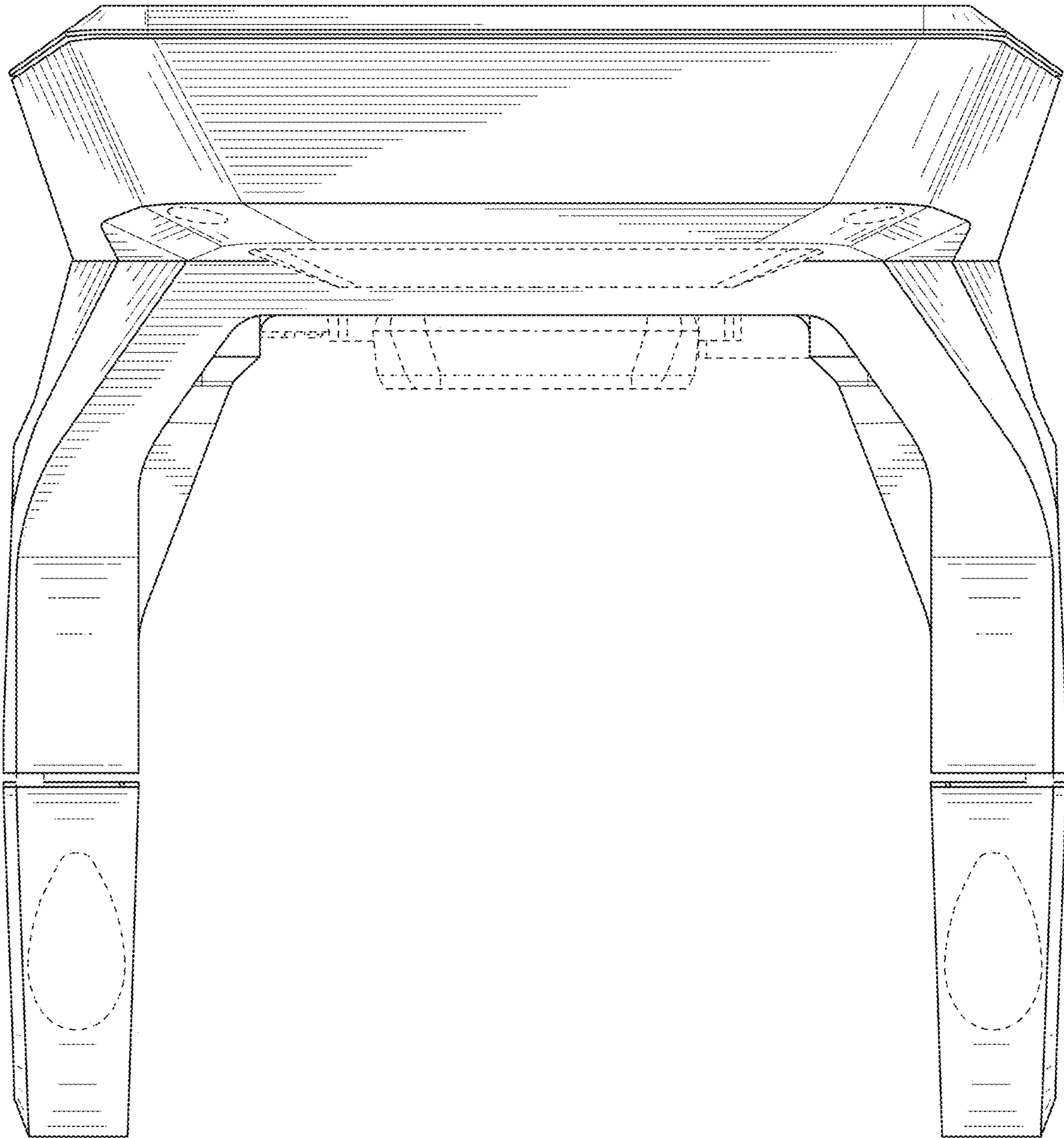


FIG. 3

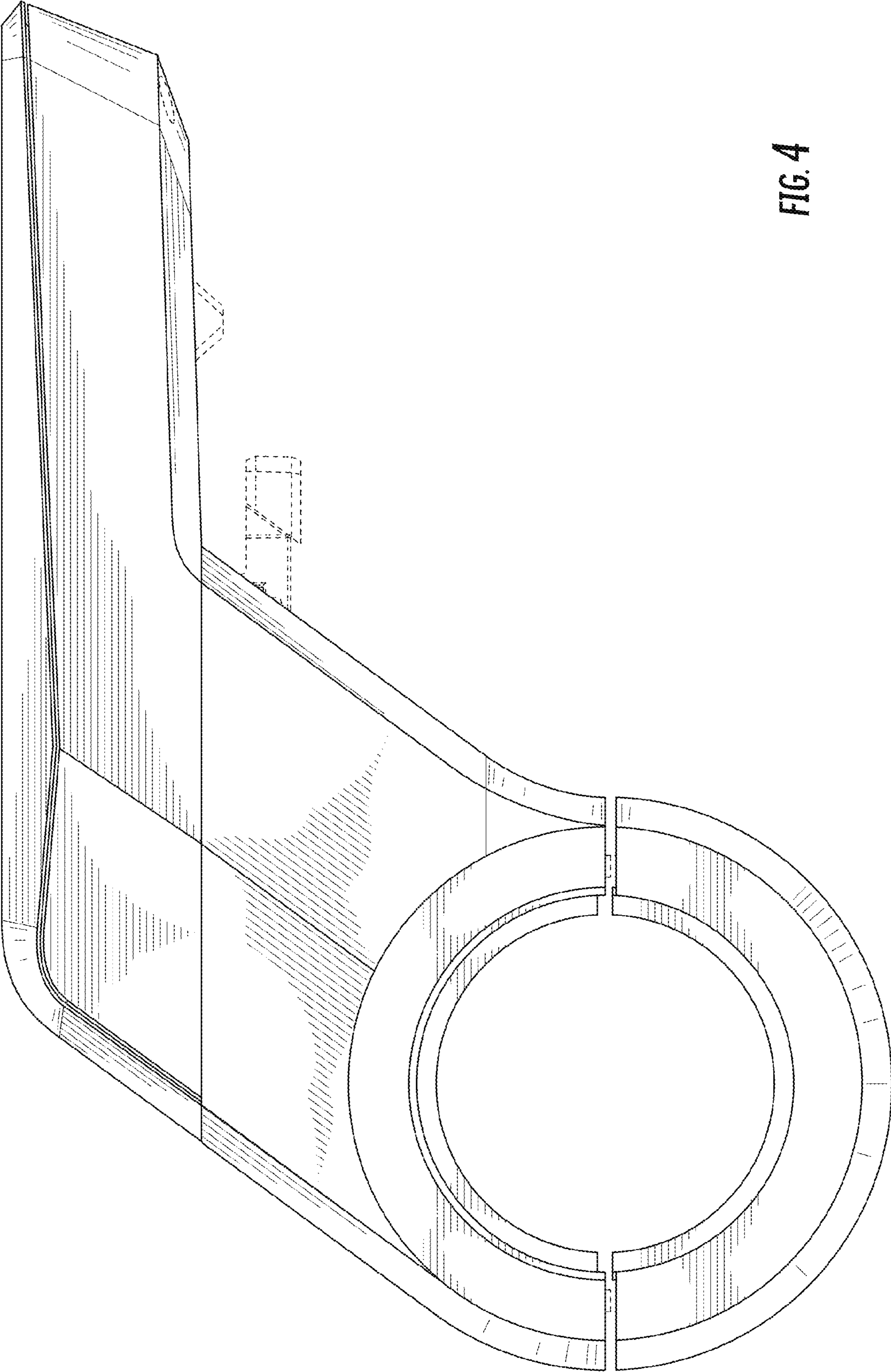


FIG. 4

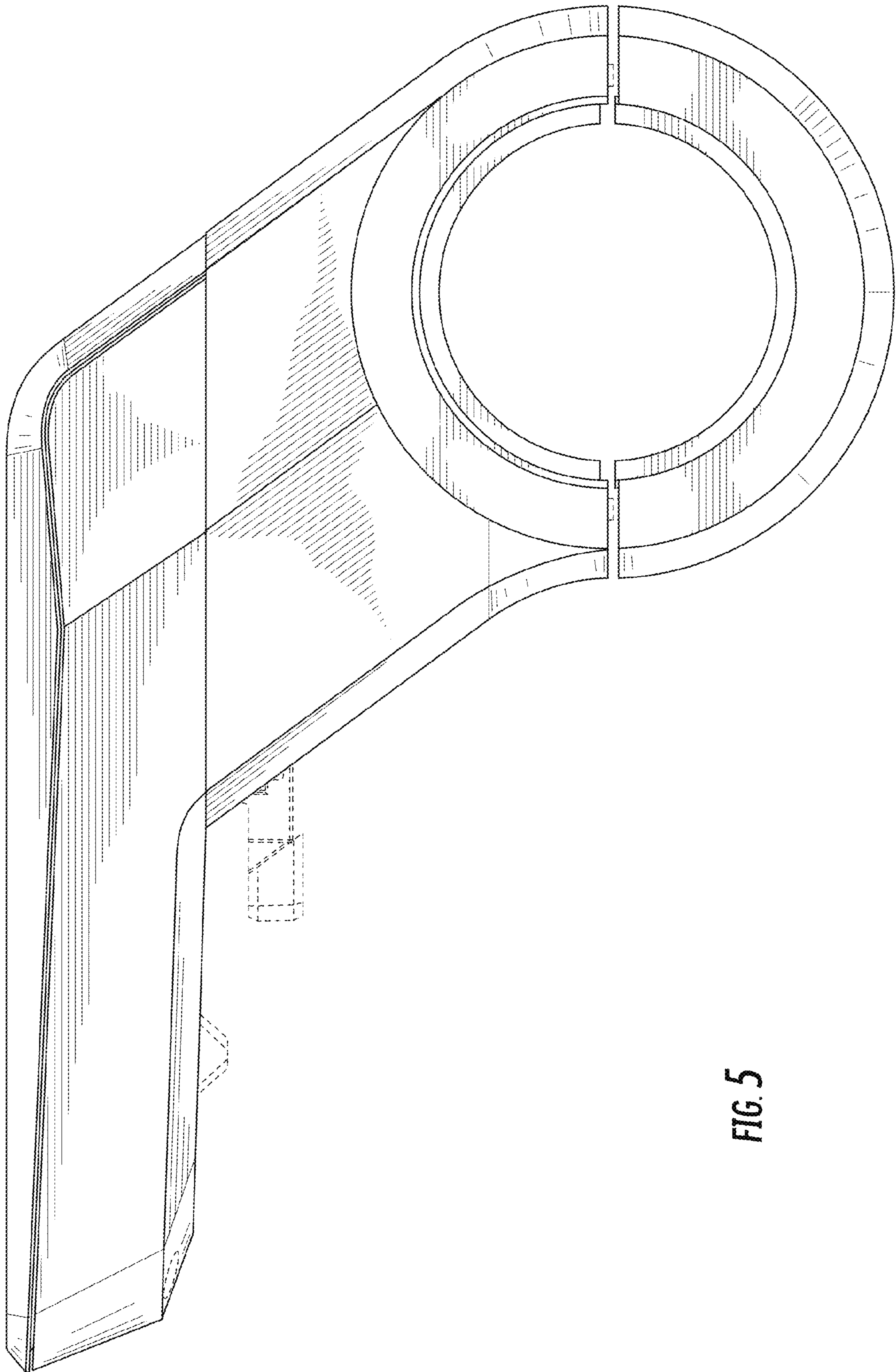


FIG. 5

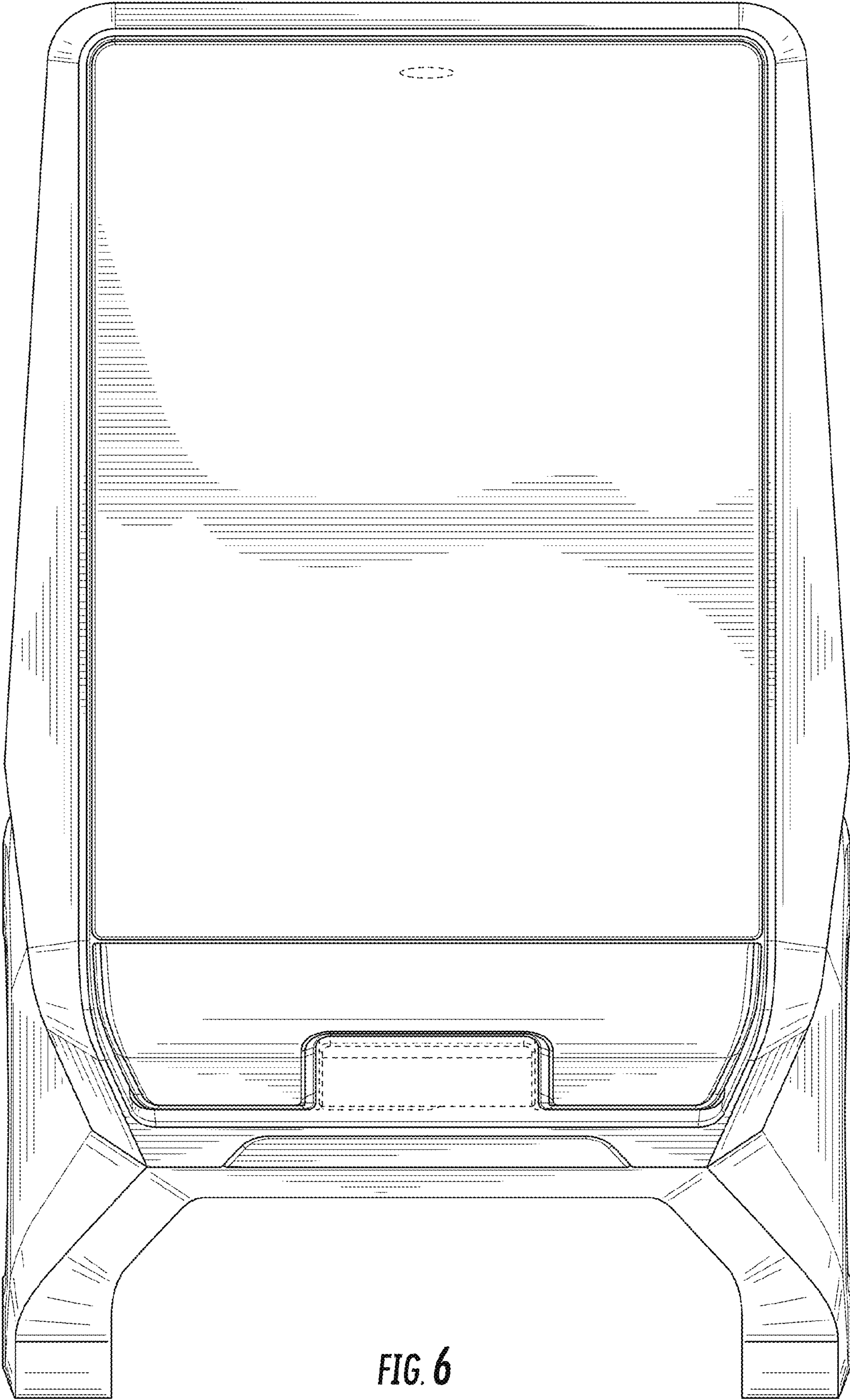


FIG. 6

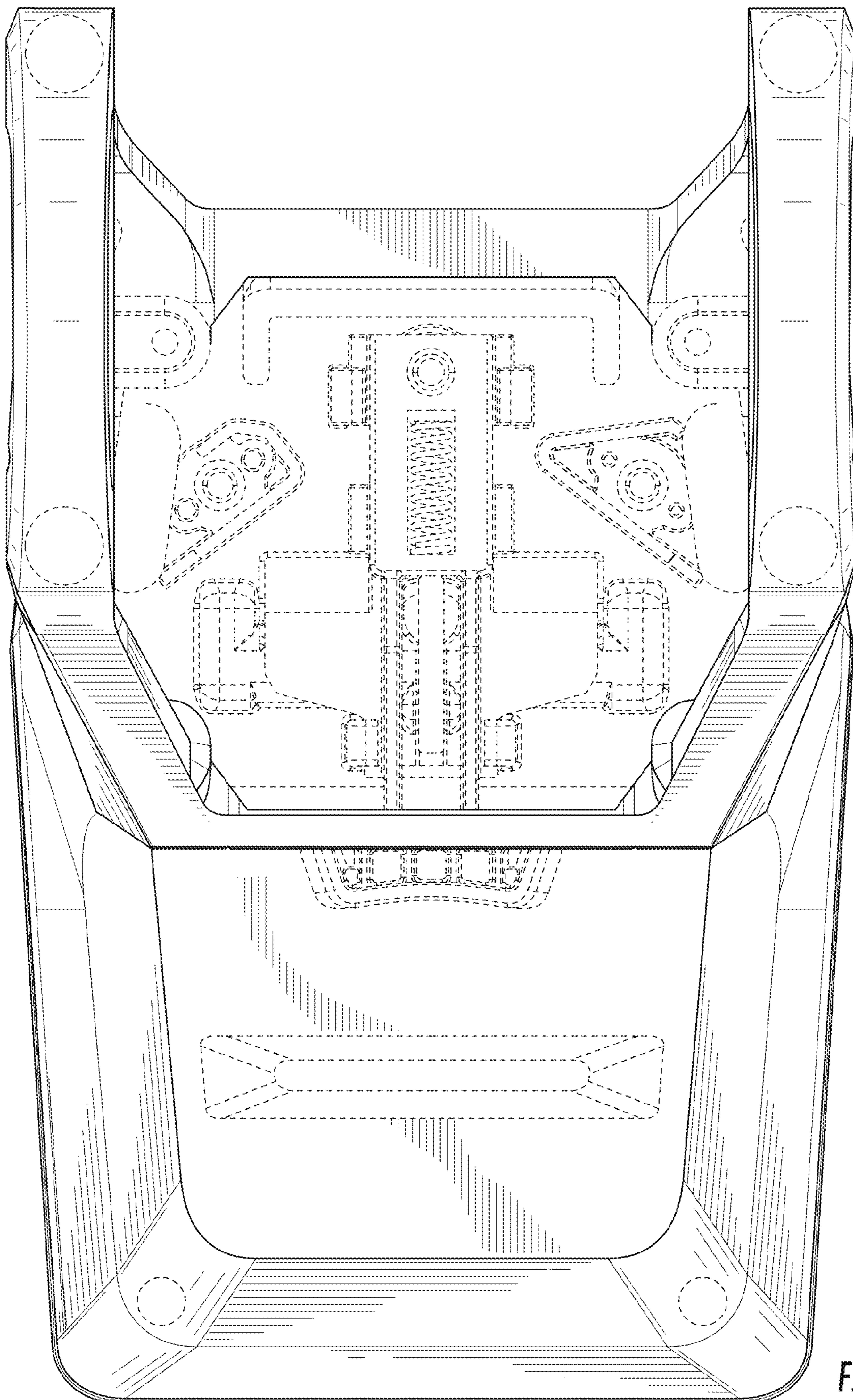


FIG. 7