



US00D877636S

(12) **United States Design Patent**
Haag

(10) **Patent No.:** **US D877,636 S**
(45) **Date of Patent:** **** Mar. 10, 2020**

(54) **COMBINED DISPLAY AND OPERATING DEVICE**

(71) Applicant: **Robert Bosch GmbH**, Stuttgart (DE)

(72) Inventor: **Frieder Haag**, Wannweil (DE)

(73) Assignee: **Robert Bosch GmbH**, Stuttgart (DE)

(**) Term: **15 Years**

(21) Appl. No.: **29/647,290**

(22) Filed: **May 11, 2018**

(30) **Foreign Application Priority Data**

Nov. 13, 2017 (EM) 004504504

(51) **LOC (12) Cl.** **10-02**

(52) **U.S. Cl.**

USPC **D10/98**; D14/447; D14/432

(58) **Field of Classification Search**

USPC ... D14/141.1, 159, 218, 219, 220, 221, 222, D14/223, 224, 224.1, 225, 227, 228, 229, D14/259, 341, 344, 345, 299, 432, 447, D14/253; D12/114, 223; D10/98

CPC . H04R 1/00; H04R 1/02; H04R 1/326; H04R 1/406; H04R 1/083; H04R 1/222; H04R 1/1041; H04R 1/023; H04R 7/00; H04R 7/20; H04R 27/00; H04R 2201/00; H04R 2400/00; H04R 17/02; H04R 29/004; H04R 29/005; H04R 19/04; H04R 2420/07; H04R 2410/00; H04R 2410/01; H04R 5/02; G02B 27/01

See application file for complete search history.

(56) **References Cited**

U.S. PATENT DOCUMENTS

D312,052 S *	11/1990	Read	D10/98
D328,037 S *	7/1992	Mercat	D10/98
D332,576 S *	1/1993	Huen	D10/98
D342,034 S *	12/1993	Huang	D10/98
5,353,953 A *	10/1994	Sakaemura	F16J 15/14 220/602

(Continued)

FOREIGN PATENT DOCUMENTS

WO WO-2008073079 A1 * 6/2008 G01P 3/50

OTHER PUBLICATIONS

Bosch Kiox color computer, a new way to control & track your e-bike, posted Sep. 18, 2018 [online], retrieved Mar. 38, 2019, retrieved from internet, <<https://e-bikerumor.com/2018/09/18/bosch-kiox-color-computer-new-way-control-track-e-bike/>>.*

Primary Examiner — Barbara Fox

Assistant Examiner — Messina L Smith

(74) *Attorney, Agent, or Firm* — Maginot, Moore & Beck LLP

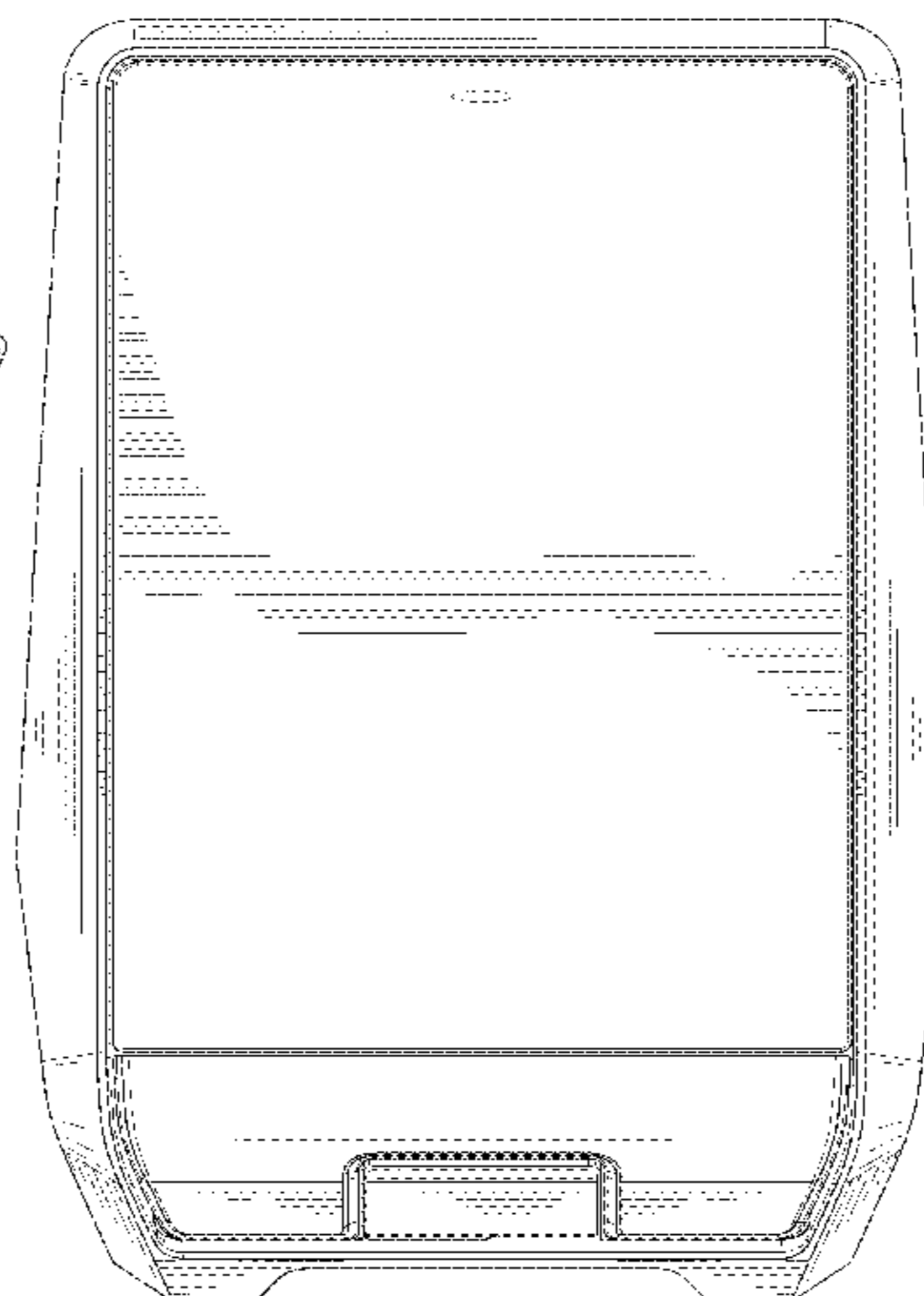
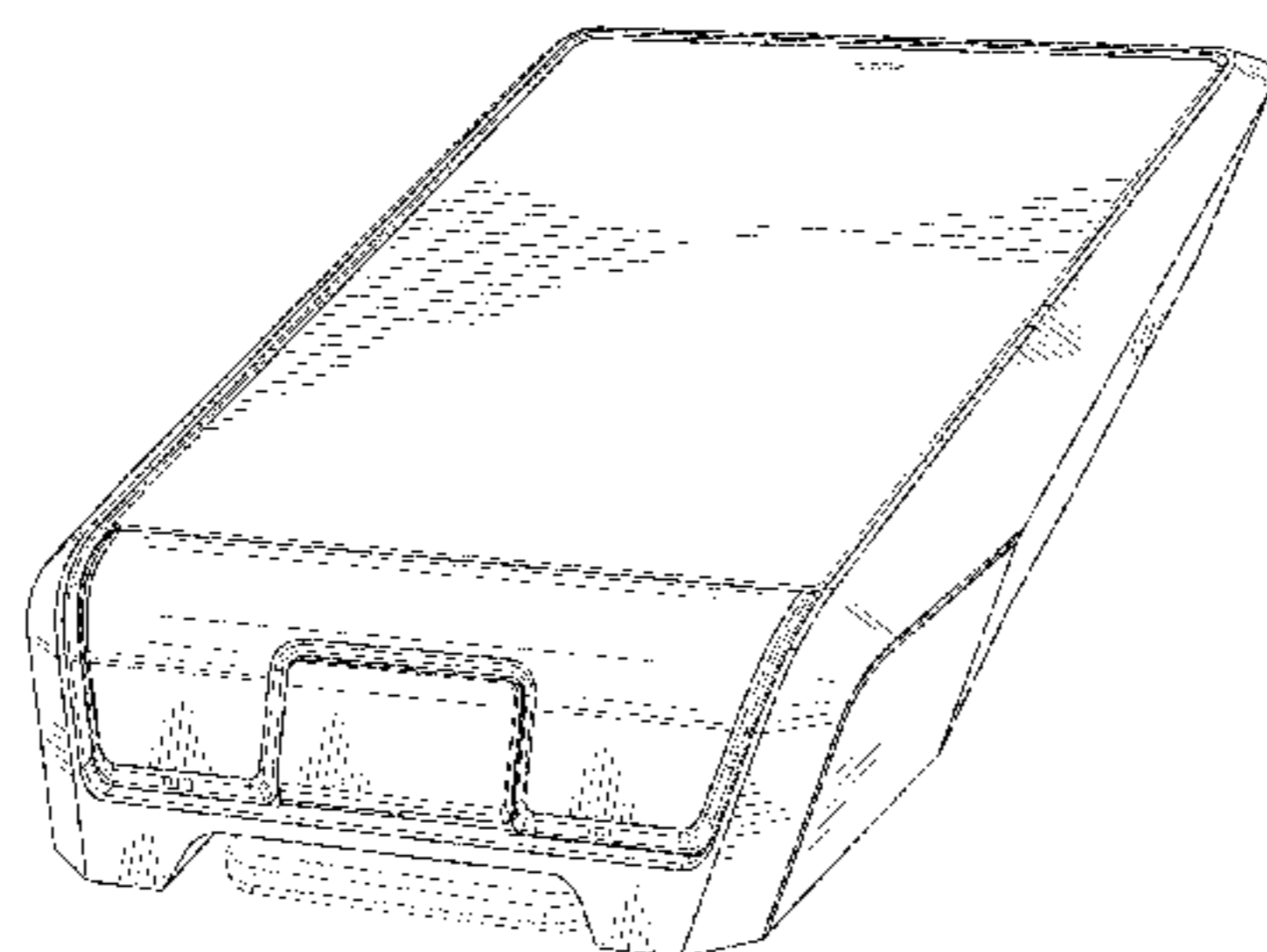
(57) **CLAIM**

The ornamental design for a combined display and operating device, as shown and described.

DESCRIPTION

FIG. 1 is a perspective view of a combined display and operating device showing my new design; FIG. 2 is a front elevational view of the combined display and operating device of FIG. 1; FIG. 3 is a rear elevational view of the combined display and operating device of FIG. 1; FIG. 4 is a right side elevational view of the combined display and operating device of FIG. 1; FIG. 5 is a left side elevational view of the combined display and operating device of FIG. 1; FIG. 6 is a top plan view of the combined display and operating device of FIG. 1; and, FIG. 7 is a bottom plan view of the combined display and operating device of FIG. 1. The broken lines shown in the drawings illustrate portions of the combined display and operating device that form no part of the claimed design.

1 Claim, 7 Drawing Sheets



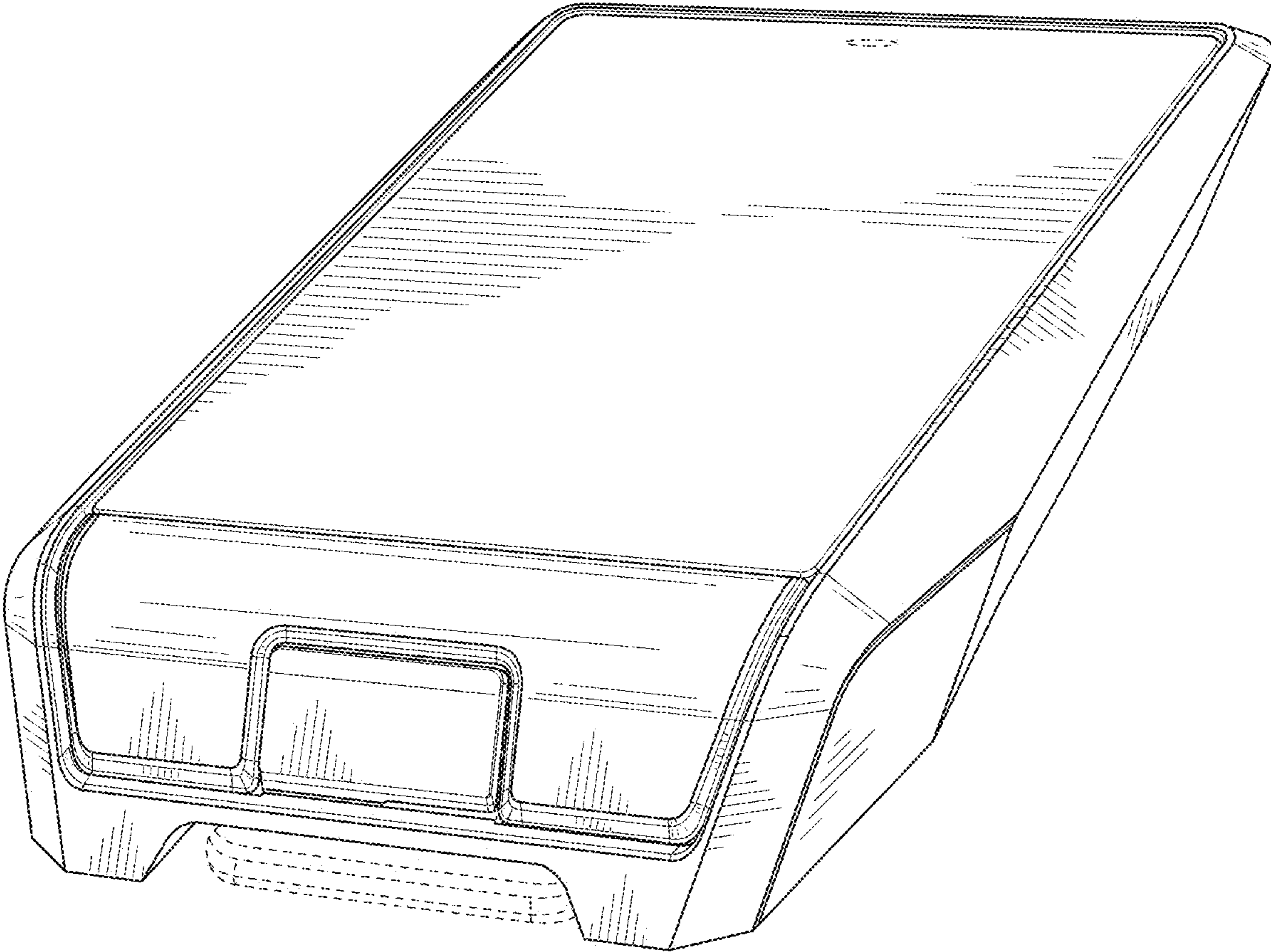


FIG. 1

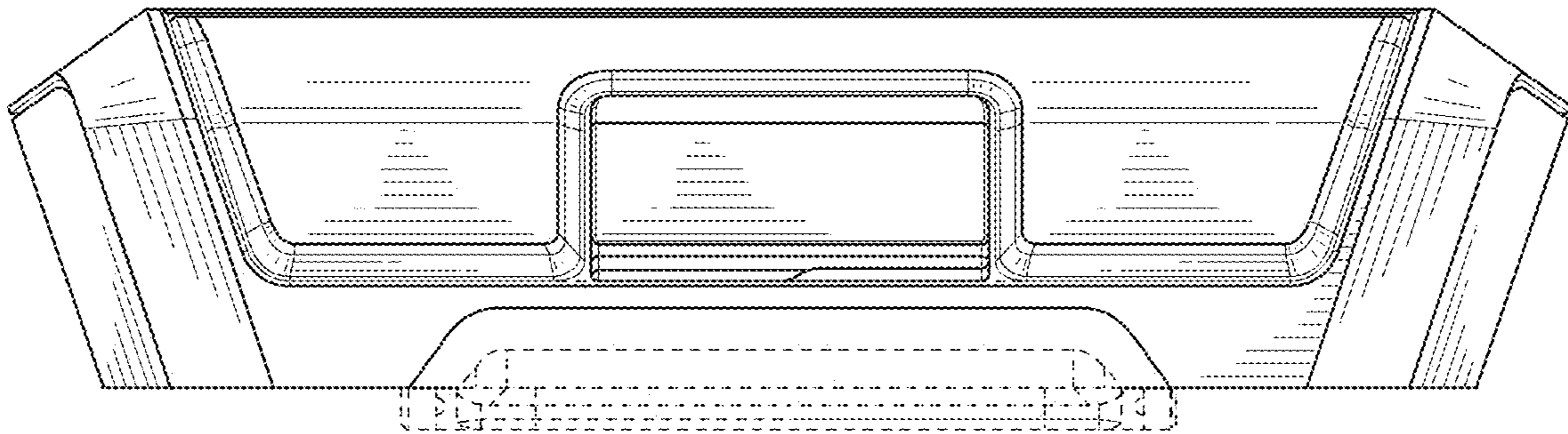


FIG. 2

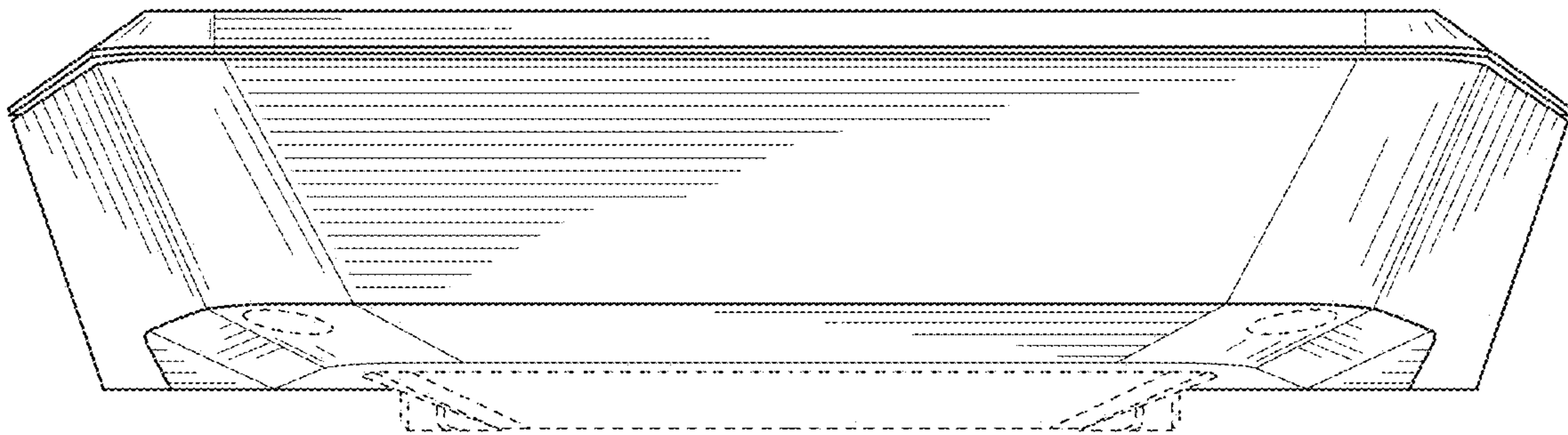


FIG. 3

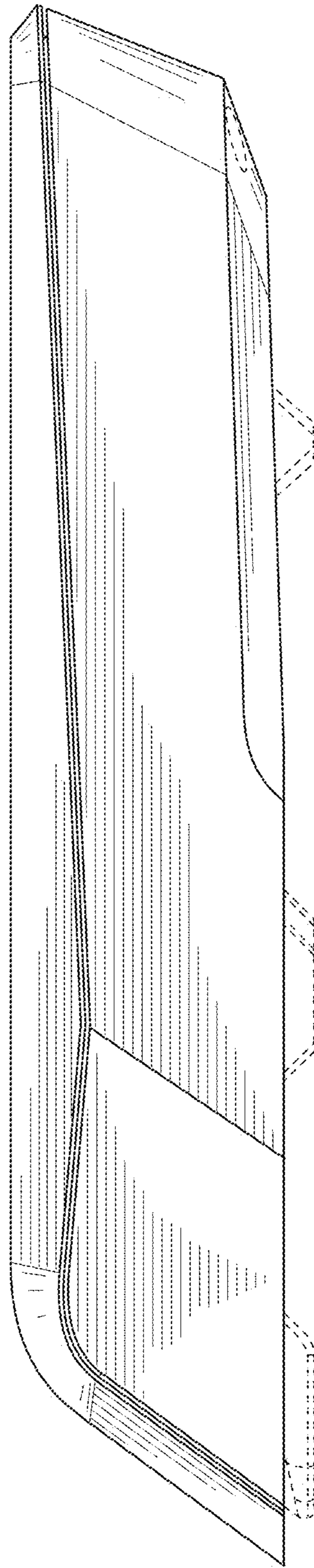


FIG. 4

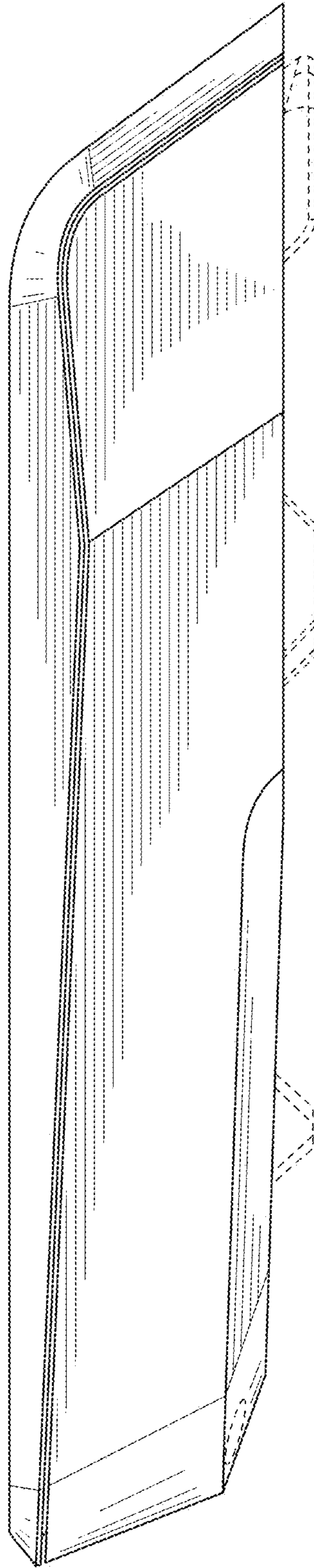


FIG. 5

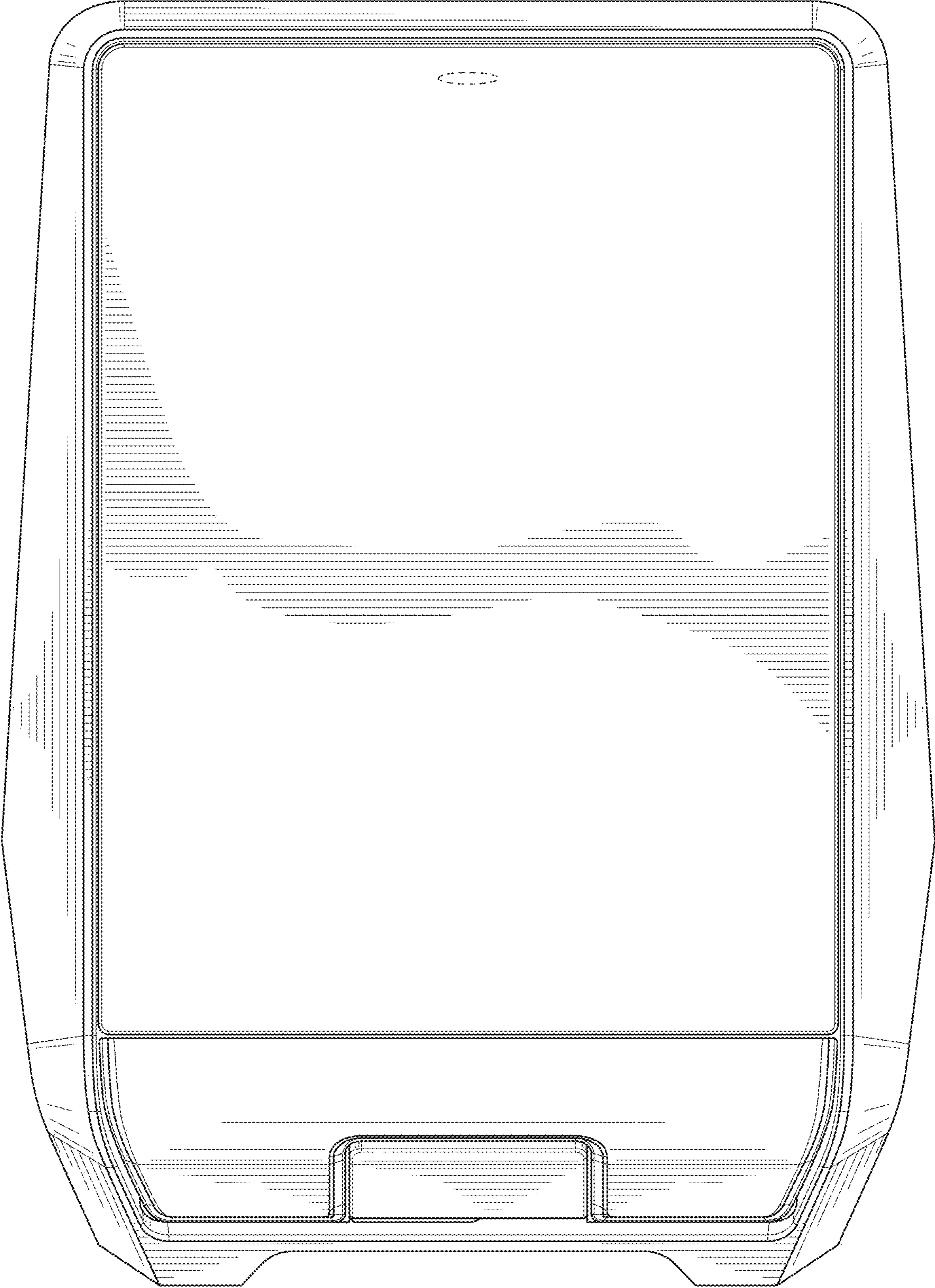


FIG. 6

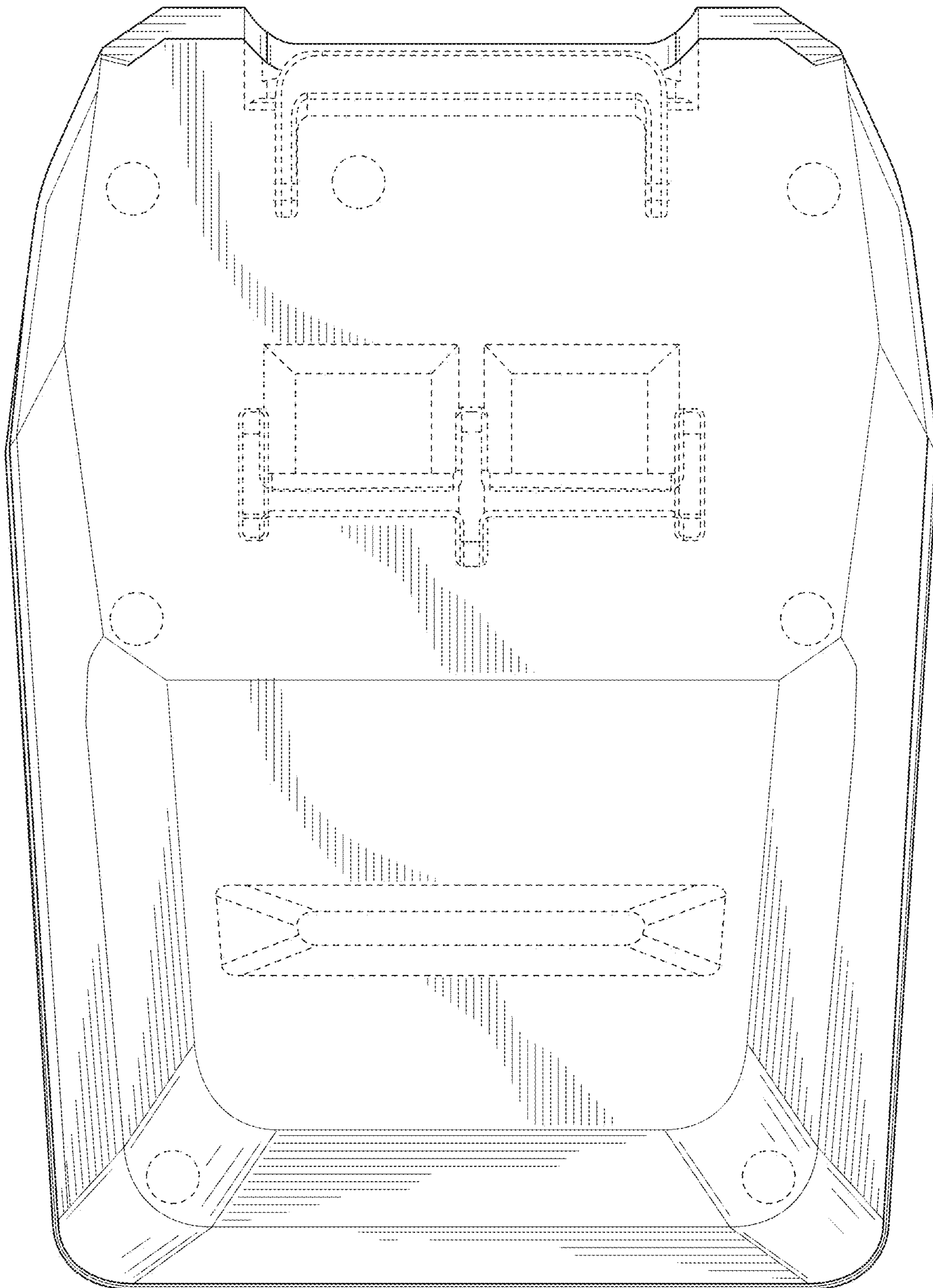


FIG. 7