



US00D877635S

(12) **United States Design Patent**
Fürer et al.

(10) **Patent No.:** **US D877,635 S**
(45) **Date of Patent:** **** Mar. 10, 2020**

- (54) **PRESSURE MEASURING DEVICE WITH NARROW TOP SEGMENT, WIDE BOTTOM, AND CHAMFERED TRANSITIONS**
- (71) Applicant: **KISTLER HOLDING AG**, Winterthur (CH)
- (72) Inventors: **Daniel Fürer**, Zurich (CH); **Christof Sonderegger**, Frauenfeld (CH); **Daniel Buerki**, Effretikon (CH)
- (73) Assignee: **KISTLER HOLDING AG**, Winterthur (CH)
- (**) Term: **15 Years**
- (21) Appl. No.: **29/640,985**
- (22) Filed: **Mar. 19, 2018**

Related U.S. Application Data

- (62) Division of application No. 35/501,972, filed on Sep. 1, 2016 (U.S. filing date under 35 U.S.C. 384), and having an international filing date of Sep. 1, 2016, now Pat. No. Des. 817,795.
- (51) **LOC (12) Cl.** **10-04**
- (52) **U.S. Cl.**
USPC **D10/85**
- (58) **Field of Classification Search**
USPC D10/83, 85; D23/233, 235
See application file for complete search history.

(56) **References Cited**

U.S. PATENT DOCUMENTS

D271,571 S	*	11/1983	Lonnstedt	D10/83
D794,164 S	*	8/2017	Suzuki	D23/233
D800,258 S	*	10/2017	Komatsuzaki	D23/235
D802,716 S	*	11/2017	Asaba	D23/233
D803,082 S	*	11/2017	Banschbach	D10/85

* cited by examiner

Primary Examiner — George D. Kirschbaum

(74) *Attorney, Agent, or Firm* — Dority & Manning, P.A.

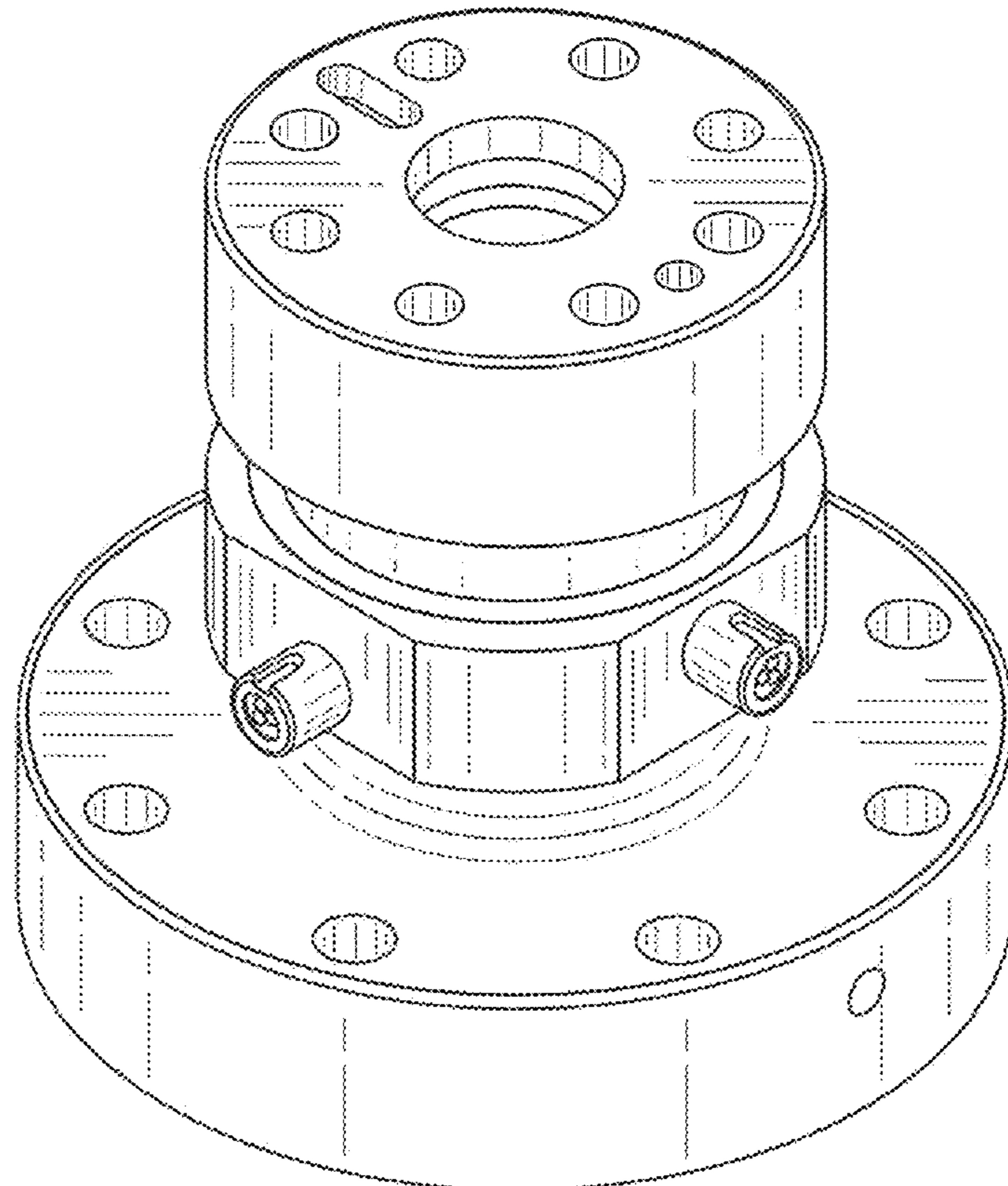
(57) **CLAIM**

The ornamental design for pressure measuring device with narrow top segment, wide bottom, and chamfered transitions, as shown and described.

DESCRIPTION

FIG. 1 is a front view.
 FIG. 2 is a right side view.
 FIG. 3 is a rear view.
 FIG. 4 is a left side view.
 FIG. 5 is a top perspective view taken from the front and left side; and,
 FIG. 6 is a top perspective view taken from the right side and rear.

1 Claim, 6 Drawing Sheets



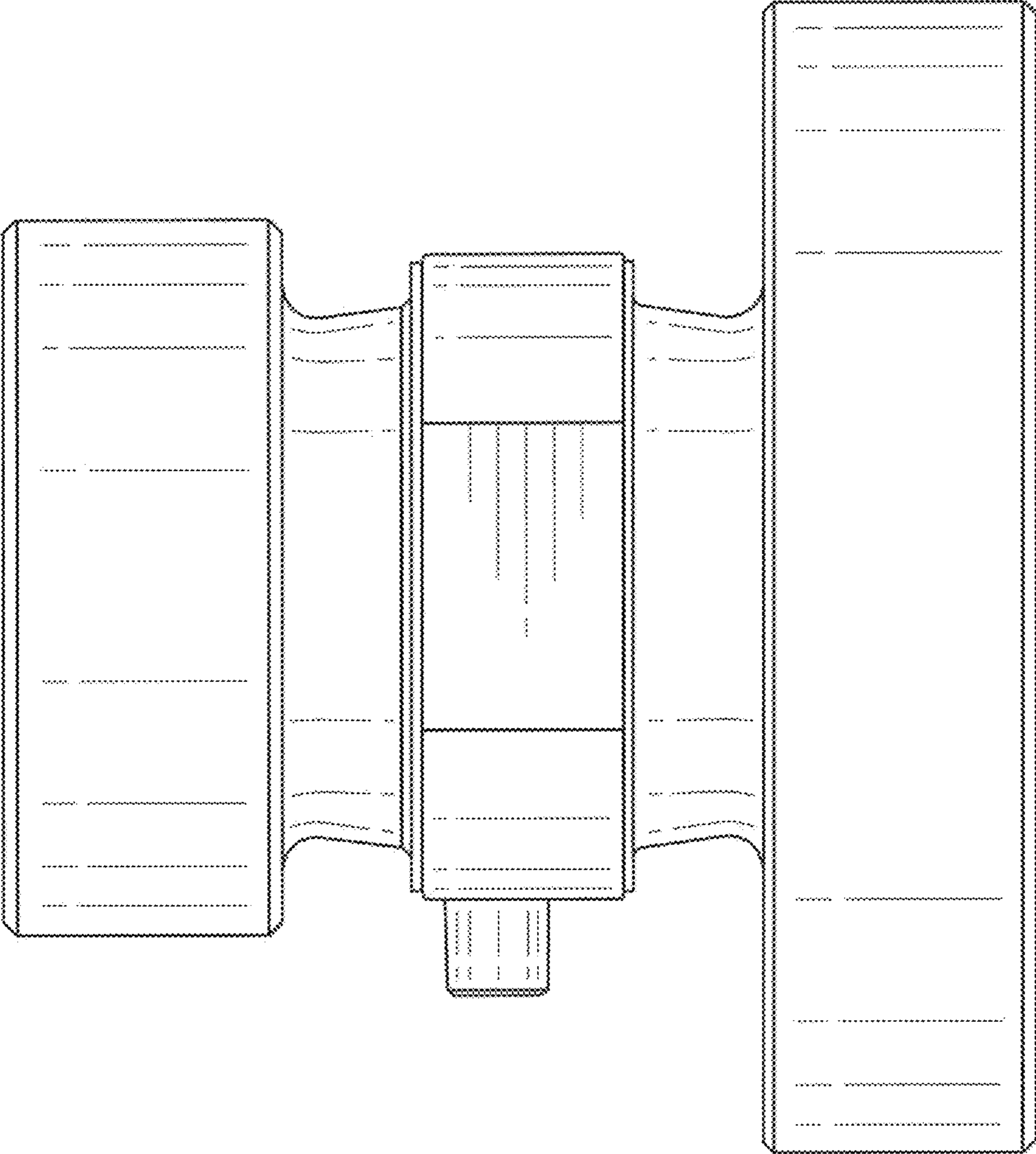


FIG. 1

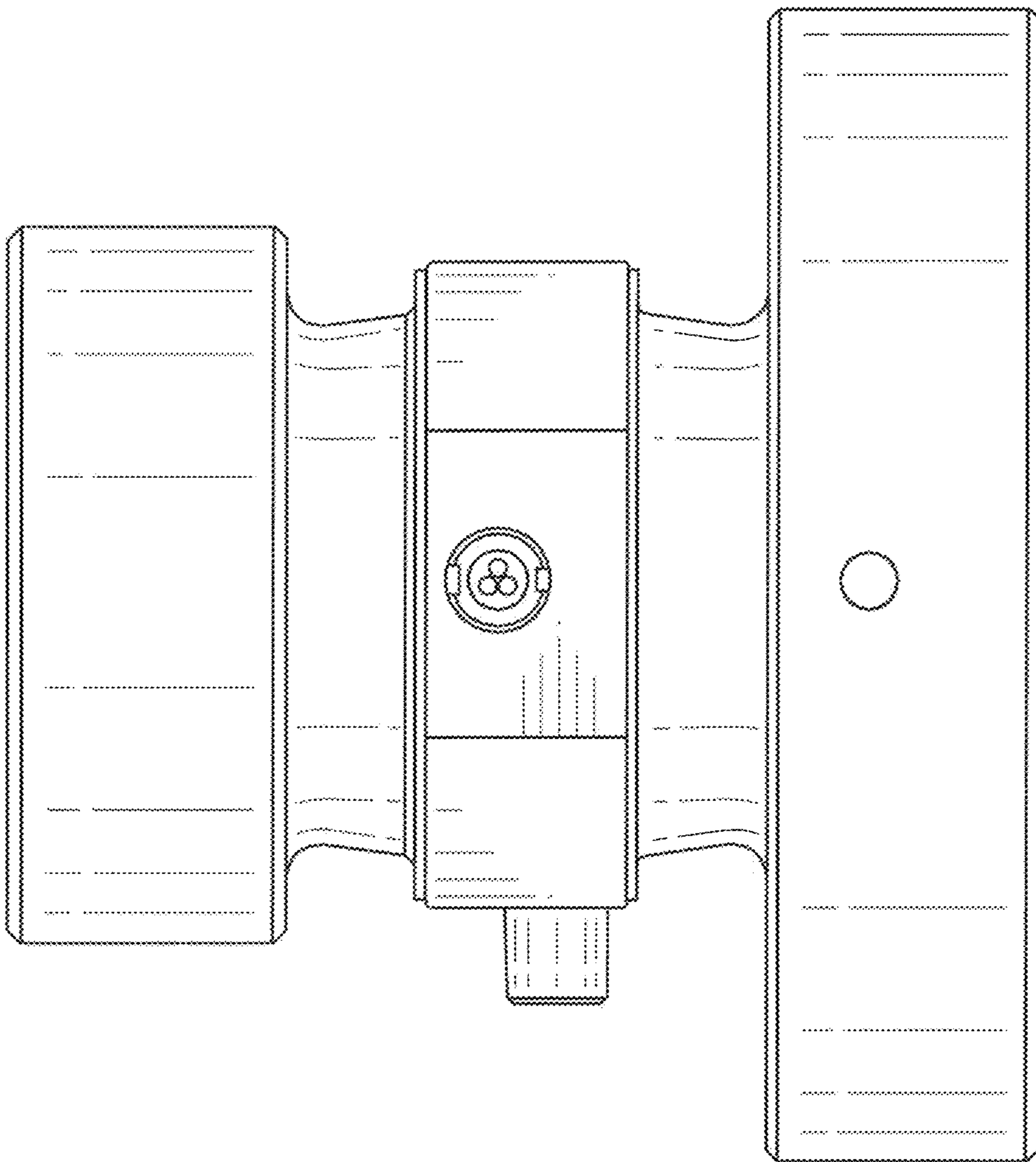


FIG. 2

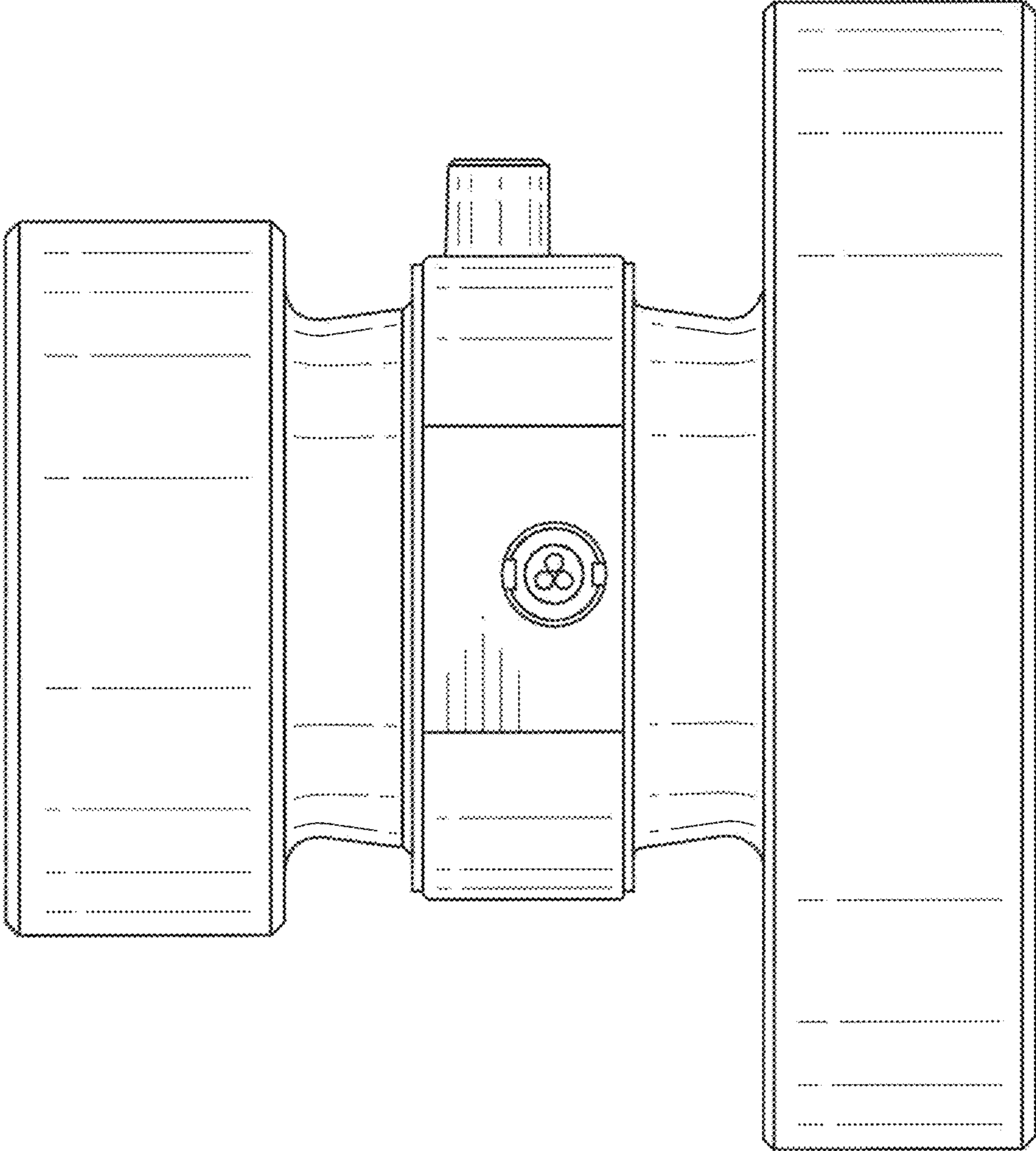


FIG. 3

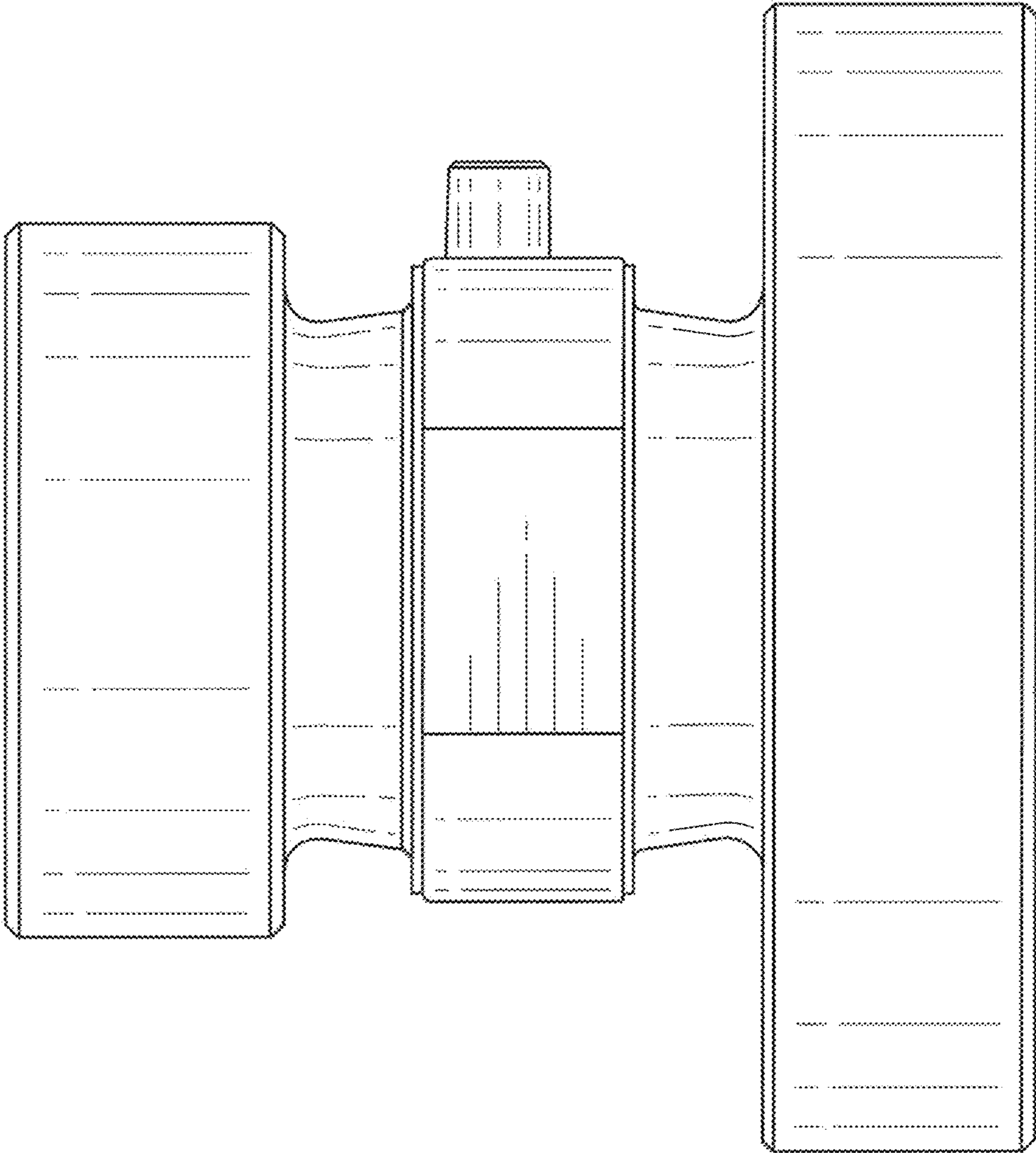


FIG. 4

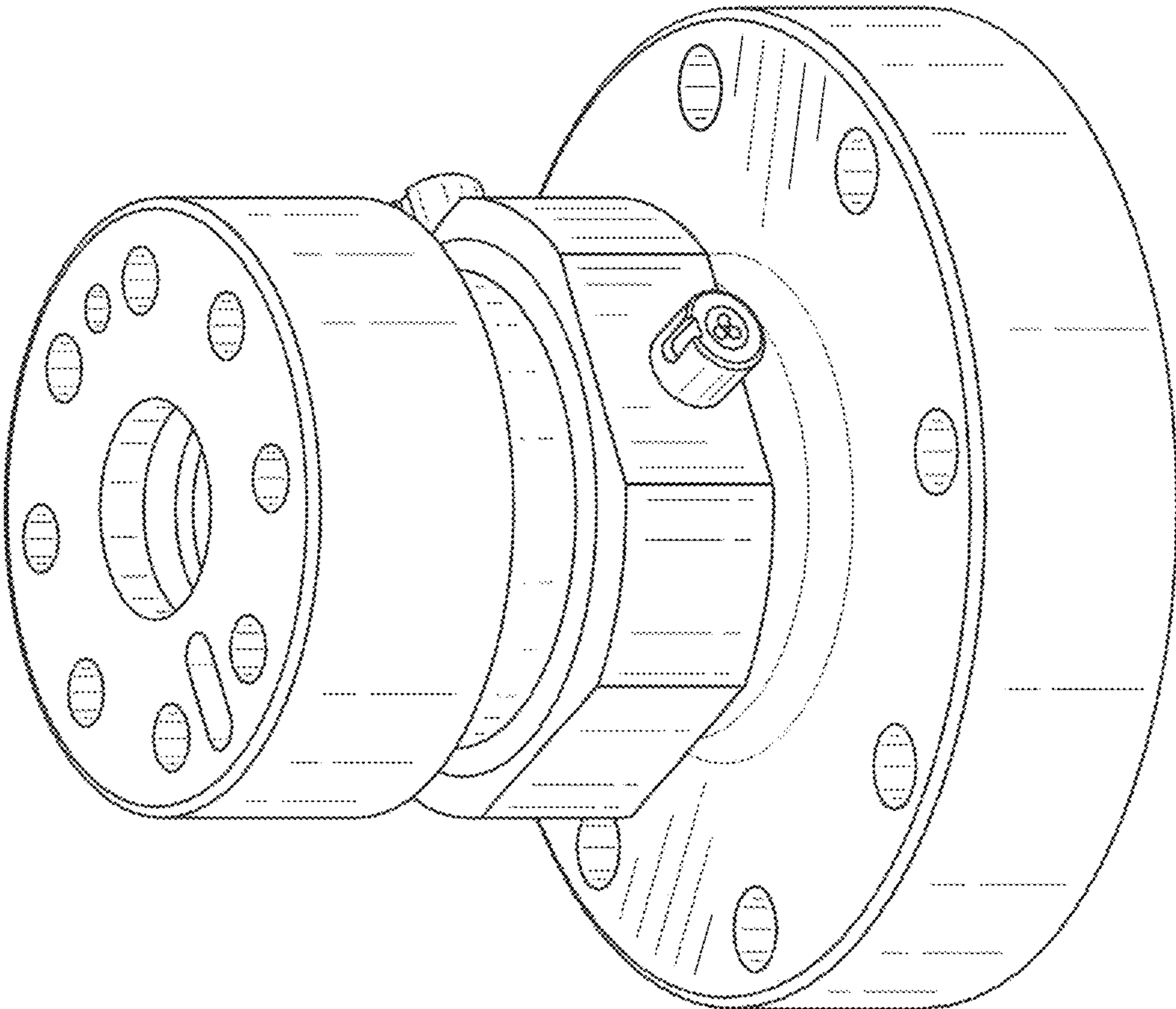


FIG. 5

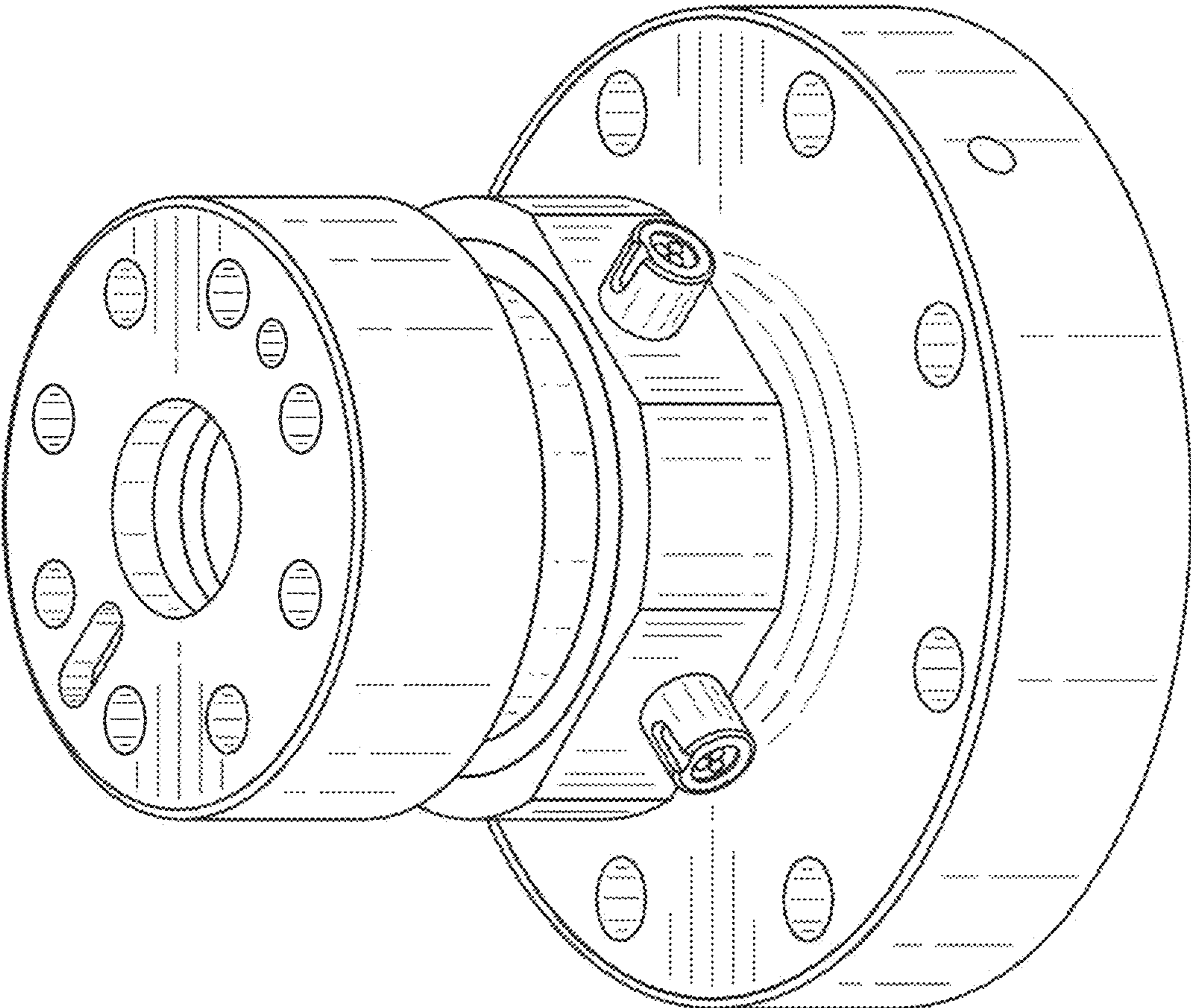


FIG. 6