



US00D877634S

(12) **United States Design Patent** (10) **Patent No.:** **US D877,634 S**  
**Richer et al.** (45) **Date of Patent:** **\*\* Mar. 10, 2020**

(54) **ELECTRICAL TESTER**

(56) **References Cited**

(71) Applicant: **Fluke Corporation**, Everett, WA (US)

U.S. PATENT DOCUMENTS

(72) Inventors: **Paul A. Richer**, Everett, WA (US);  
**Brian S. Aikins**, Everett, WA (US);  
**Ferdinand Y. Laurino**, Seattle, WA (US)

D416,819 S \* 11/1999 Luebke ..... D10/78  
6,137,285 A \* 10/2000 Walsten ..... G01R 19/14  
324/115  
D481,963 S \* 11/2003 Onuma ..... D10/78  
D628,917 S \* 12/2010 Tian ..... D10/78  
9,423,417 B2 \* 8/2016 Laurin ..... G01R 1/04

(73) Assignee: **Fluke Corporation**, Everett, WA (US)

\* cited by examiner

(\*\*) Term: **15 Years**

*Primary Examiner* — Antoine Duval Davis

(21) Appl. No.: **29/687,513**

(74) *Attorney, Agent, or Firm* — Seed Intellectual Property Law Group LLP

(22) Filed: **Apr. 12, 2019**

**Related U.S. Application Data**

(62) Division of application No. 29/616,132, filed on Sep. 1, 2017, now Pat. No. Des. 849,576.

(51) **LOC (12) Cl.** ..... **10-04**

(52) **U.S. Cl.**  
USPC ..... **D10/78**

(58) **Field of Classification Search**  
USPC ..... D10/78  
CPC ..... G01R 19/14; G01R 19/145; G01R 1/15;  
G01R 19/155; G01R 1/07; G01R 1/06788; G01R 1/06794; G01R 1/071;  
G01R 1/072; G01R 1/067; G01R 1/06705; G01R 1/06711; G01R 1/06733;  
G01R 1/06738; G01R 1/06744; G01R 1/0675; G01R 1/06766; G01R 1/06772;  
G01R 1/06777; G01R 1/06783; G01R 1/08; G01R 1/073; G01R 1/07307; G01R 1/07314; G01R 1/07321; G01R 1/07328;  
G01R 1/07335; G01R 1/07342; G01R 1/0735

See application file for complete search history.

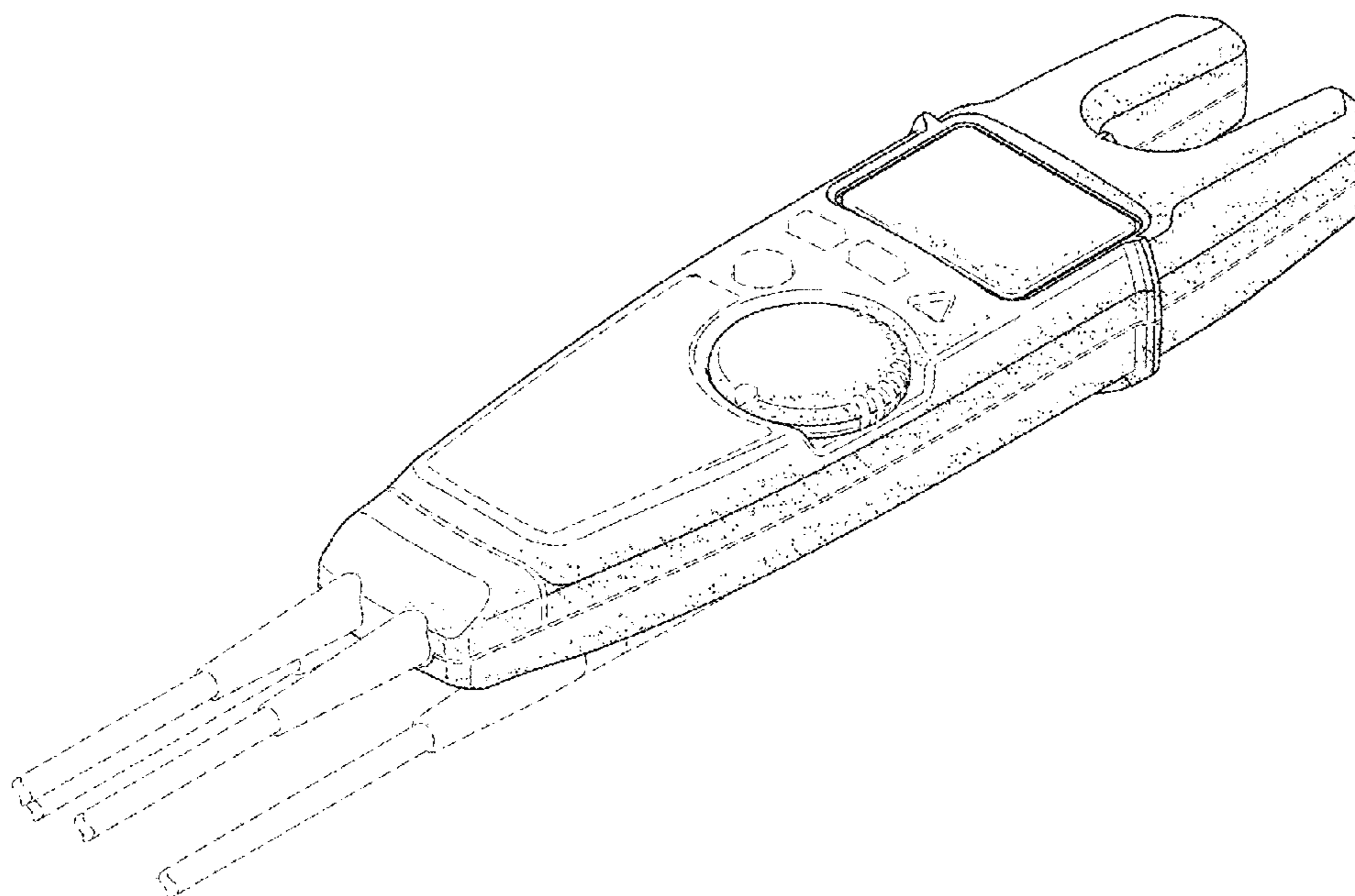
(57) **CLAIM**

The ornamental design for an electrical tester, as shown and described.

**DESCRIPTION**

FIG. 1 is a bottom, front right perspective view of an electrical tester showing our new design.  
FIG. 2 is a top, rear left perspective view thereof.  
FIG. 3 is a front elevation view thereof.  
FIG. 4 is a right side elevation view thereof.  
FIG. 5 is a left side elevation view thereof.  
FIG. 6 is a rear elevation view thereof.  
FIG. 7 is a bottom plan view thereof; and,  
FIG. 8 is a top plan view thereof.  
The broken lines in the figures illustrate portions of the electrical tester that form no part of the claimed design.

**1 Claim, 7 Drawing Sheets**



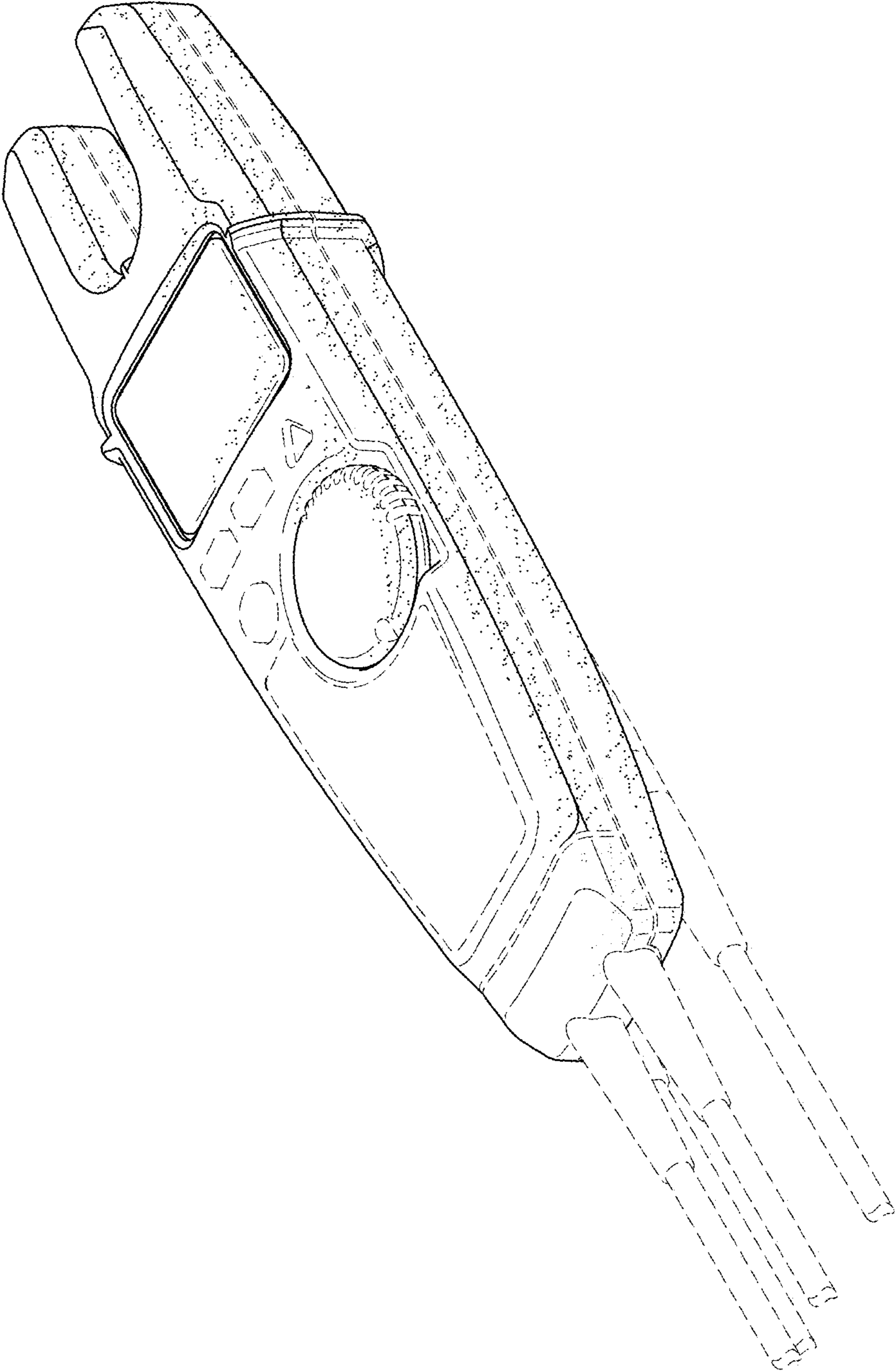


FIG. 1

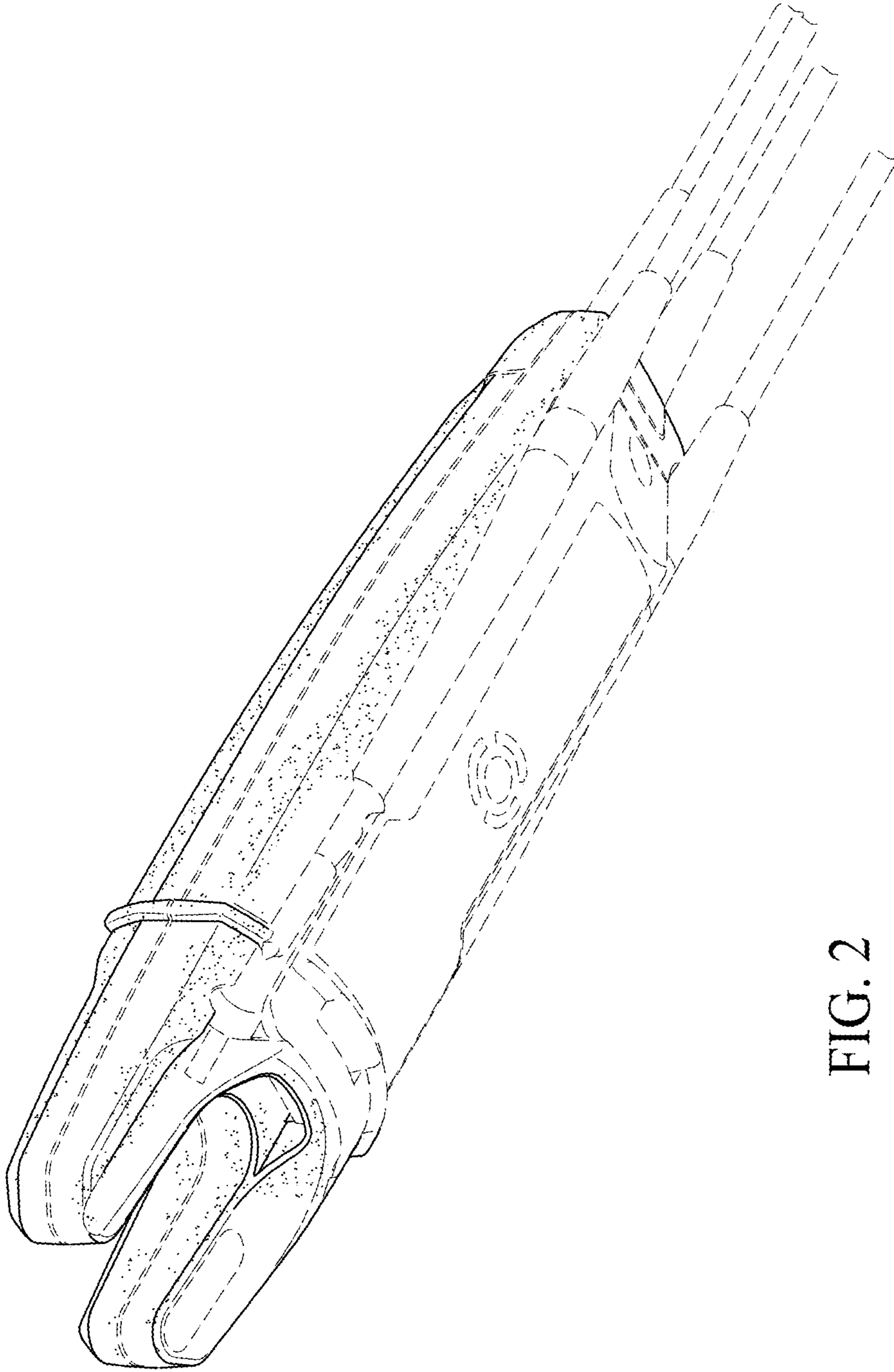


FIG. 2

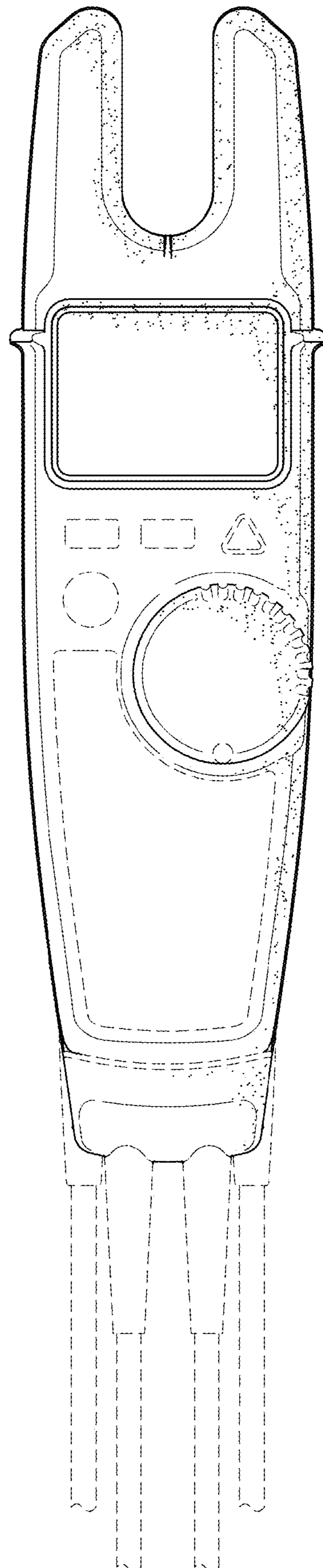


FIG. 3

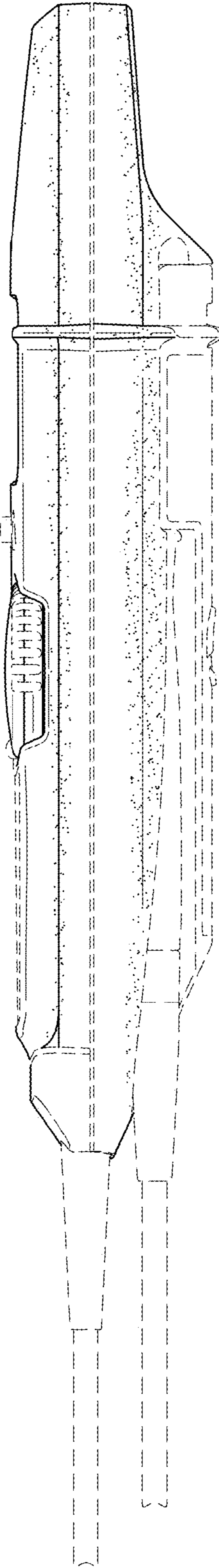


FIG. 4



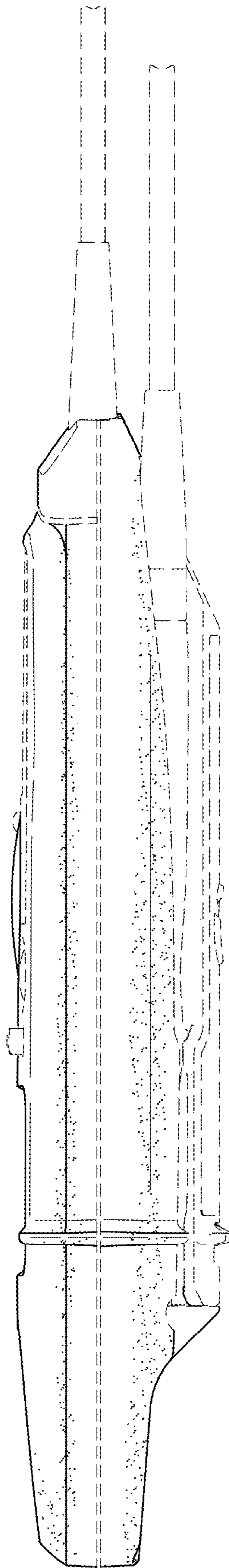


FIG. 5

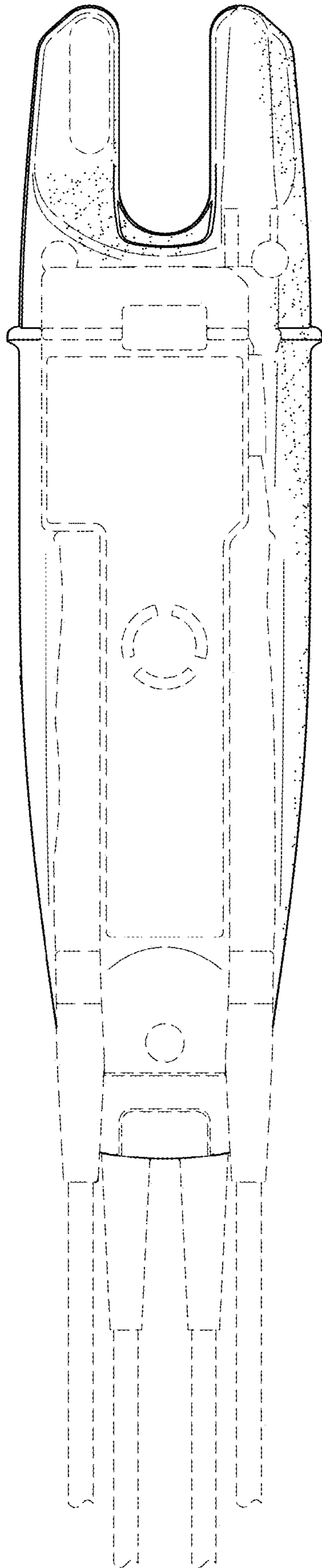


FIG. 6

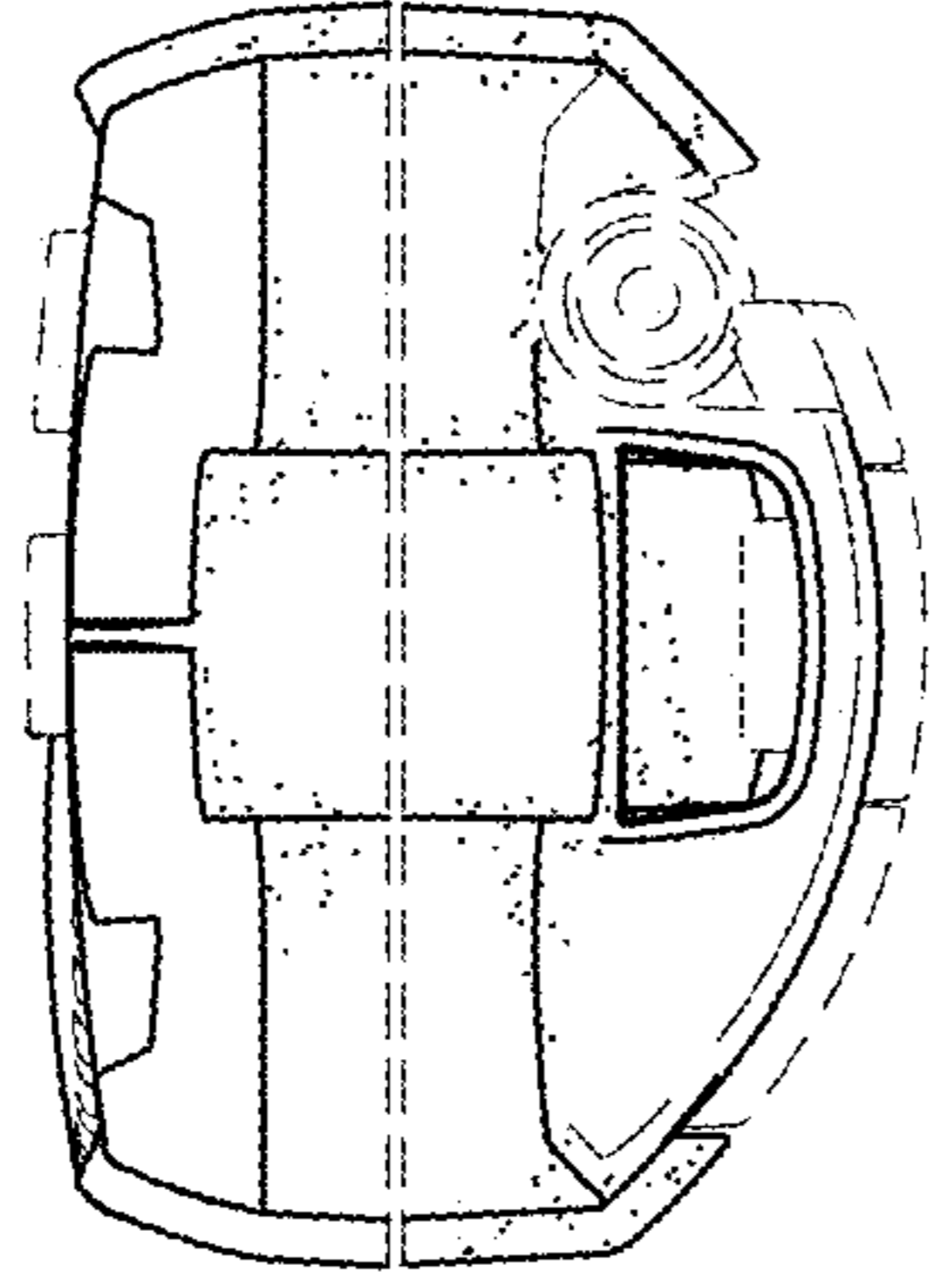


FIG. 7

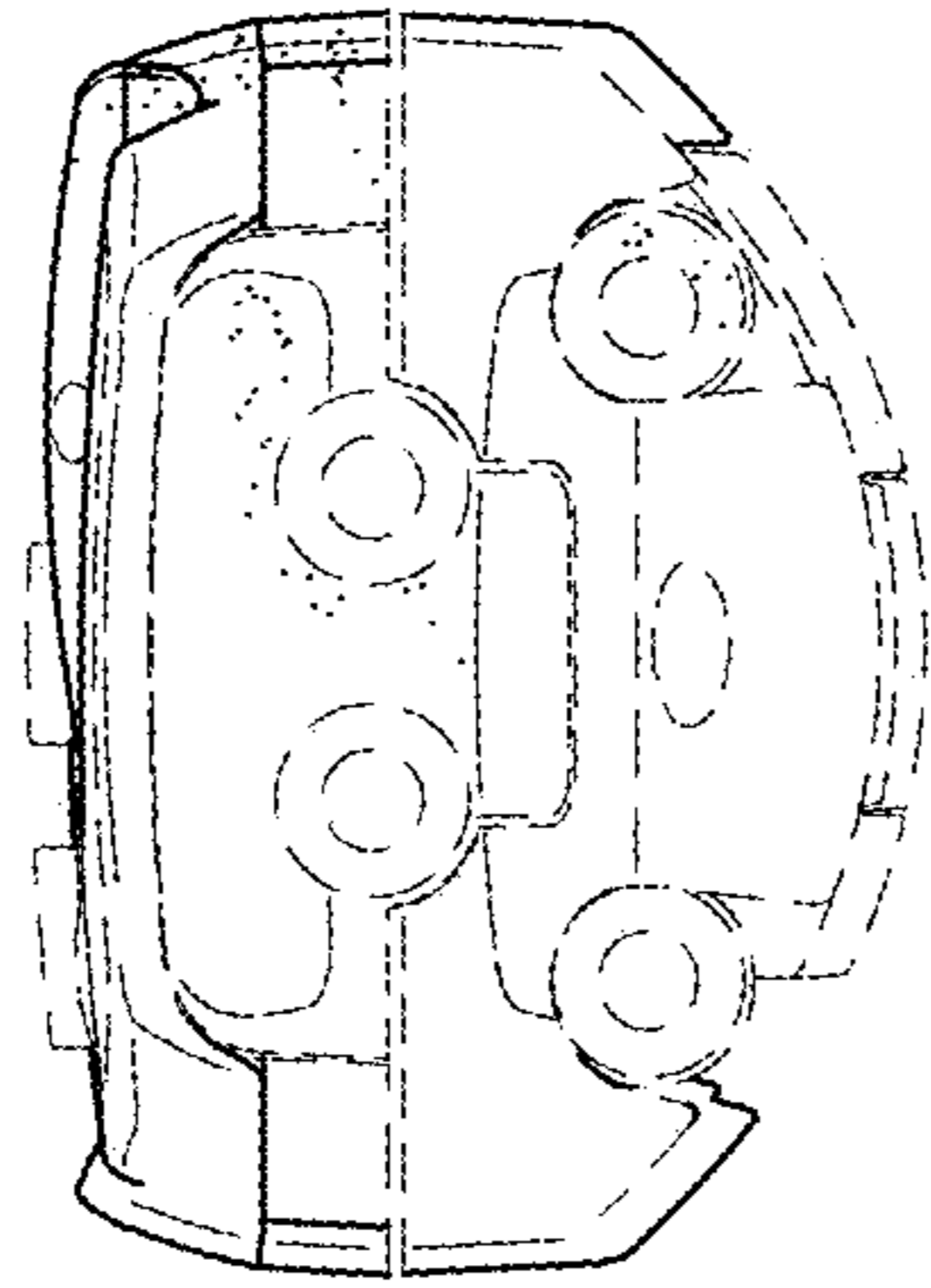


FIG. 8