



US00D877633S

(12) **United States Design Patent**
Lajoie

(10) **Patent No.:** **US D877,633 S**

(45) **Date of Patent:** **** Mar. 10, 2020**

(54) **THERMOMETER**

D402,573 S * 12/1998 Chen D10/58
D553,024 S * 10/2007 Reed D10/58

(71) Applicant: **CPA POOL PRODUCTS, INC.**,
Blainville (CA)

* cited by examiner

(72) Inventor: **Alexandre Lajoie**, Louiseville (CA)

Primary Examiner — Antoine Duval Davis

(74) *Attorney, Agent, or Firm* — Hodgson Russ LLP

(73) Assignee: **CPA POOL PRODUCTS, INC.**,
Blainville (CA)

(57) **CLAIM**

(**) Term: **15 Years**

The ornamental design for a thermometer, as shown and described.

(21) Appl. No.: **29/669,718**

DESCRIPTION

(22) Filed: **Nov. 9, 2018**

(51) **LOC (12) Cl.** **10-04**

(52) **U.S. Cl.**
USPC **D10/57**

(58) **Field of Classification Search**
USPC D10/57, 58, 60
CPC G01K 1/02; G01K 1/022; G01K 1/024;
G01K 1/08; G01K 1/14; G01K 1/143;
G01K 13/00; G01K 2013/026
See application file for complete search history.

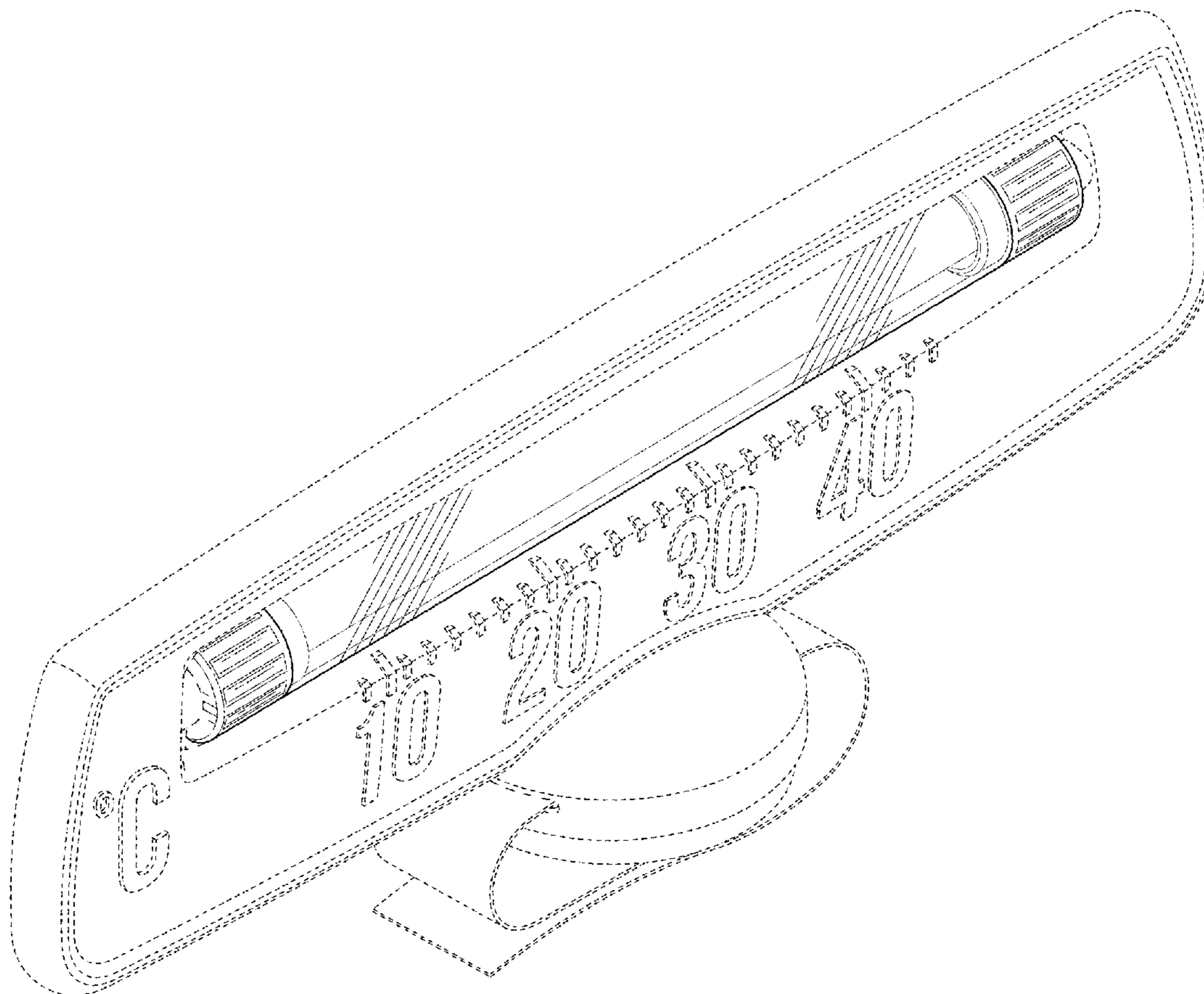
FIG. 1 is a front perspective view of a thermometer, showing my new design;
FIG. 2 is a front elevation view thereof, showing a tube of the thermometer apart from its exemplary housing for ease of illustration;
FIG. 3 is a rear elevation view thereof;
FIG. 4 is a right side elevation view thereof
FIG. 5 is a left side elevation view thereof;
FIG. 6 a top plan view thereof;
FIG. 7 is a bottom plan view thereof; and,
FIG. 8 is an exploded view thereof.
The broken lines in the figures illustrate portions of the thermometer that form no part of the claimed design.

(56) **References Cited**

U.S. PATENT DOCUMENTS

D229,343 S * 11/1973 Shanklin D10/58

1 Claim, 5 Drawing Sheets



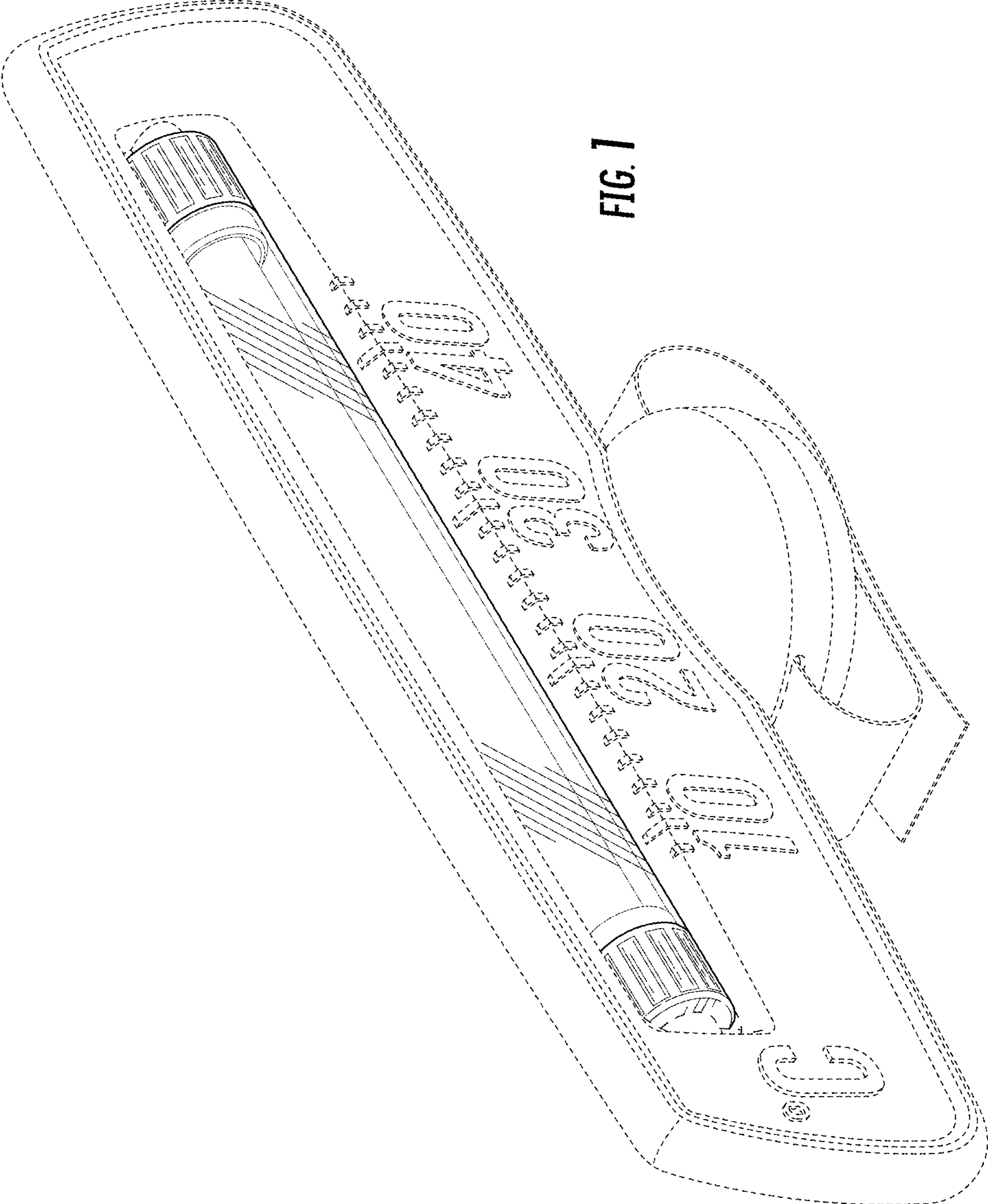


FIG. 1

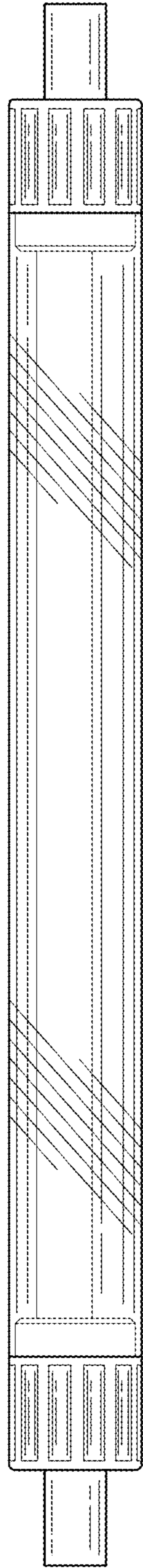


FIG. 2

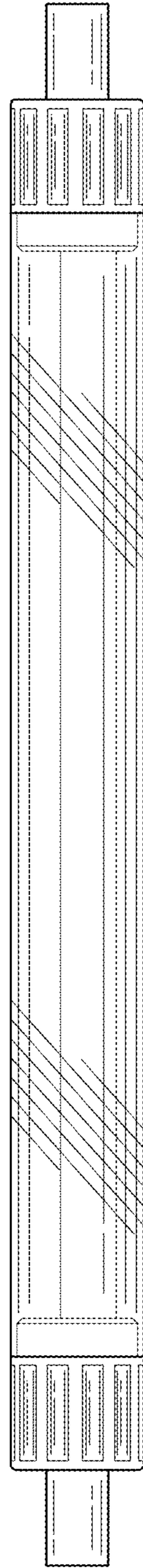


FIG. 3

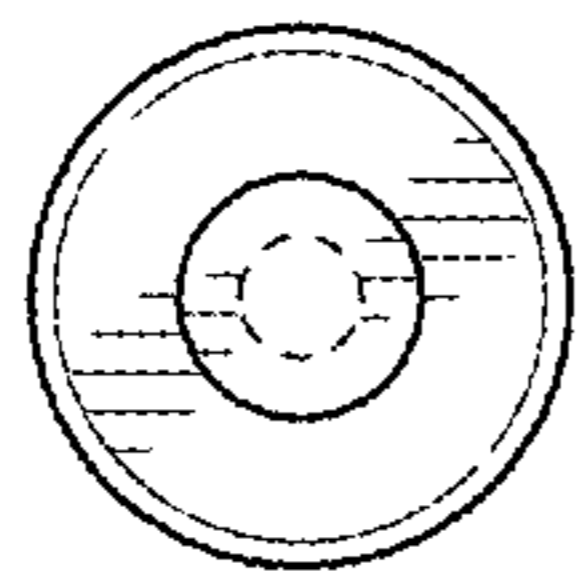


FIG. 4

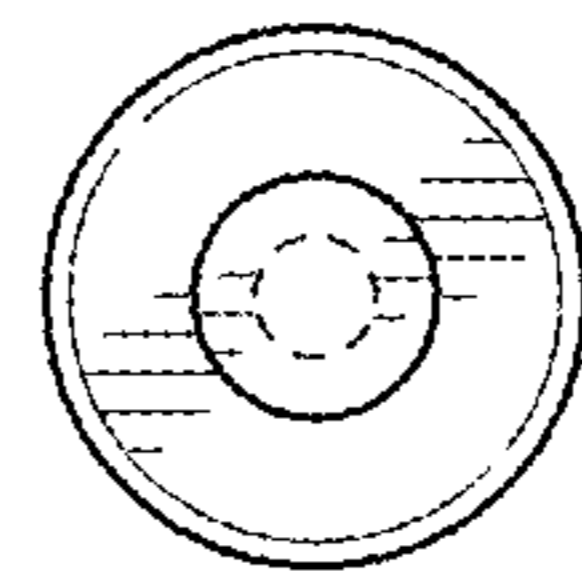


FIG. 5

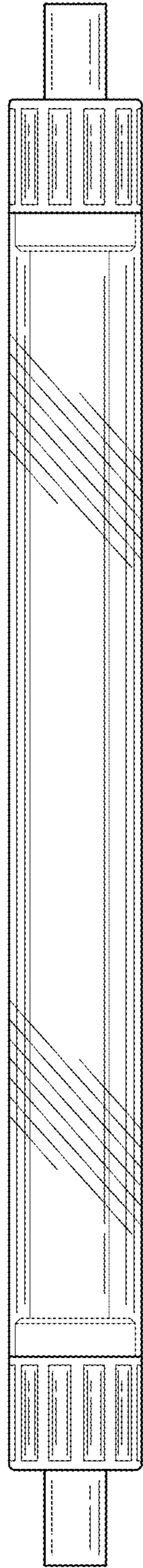


FIG. 6

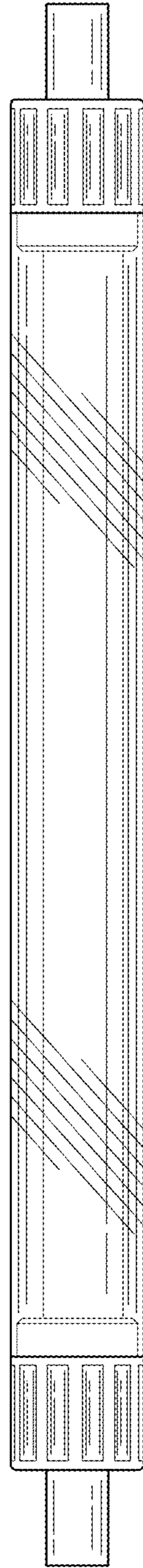


FIG. 7

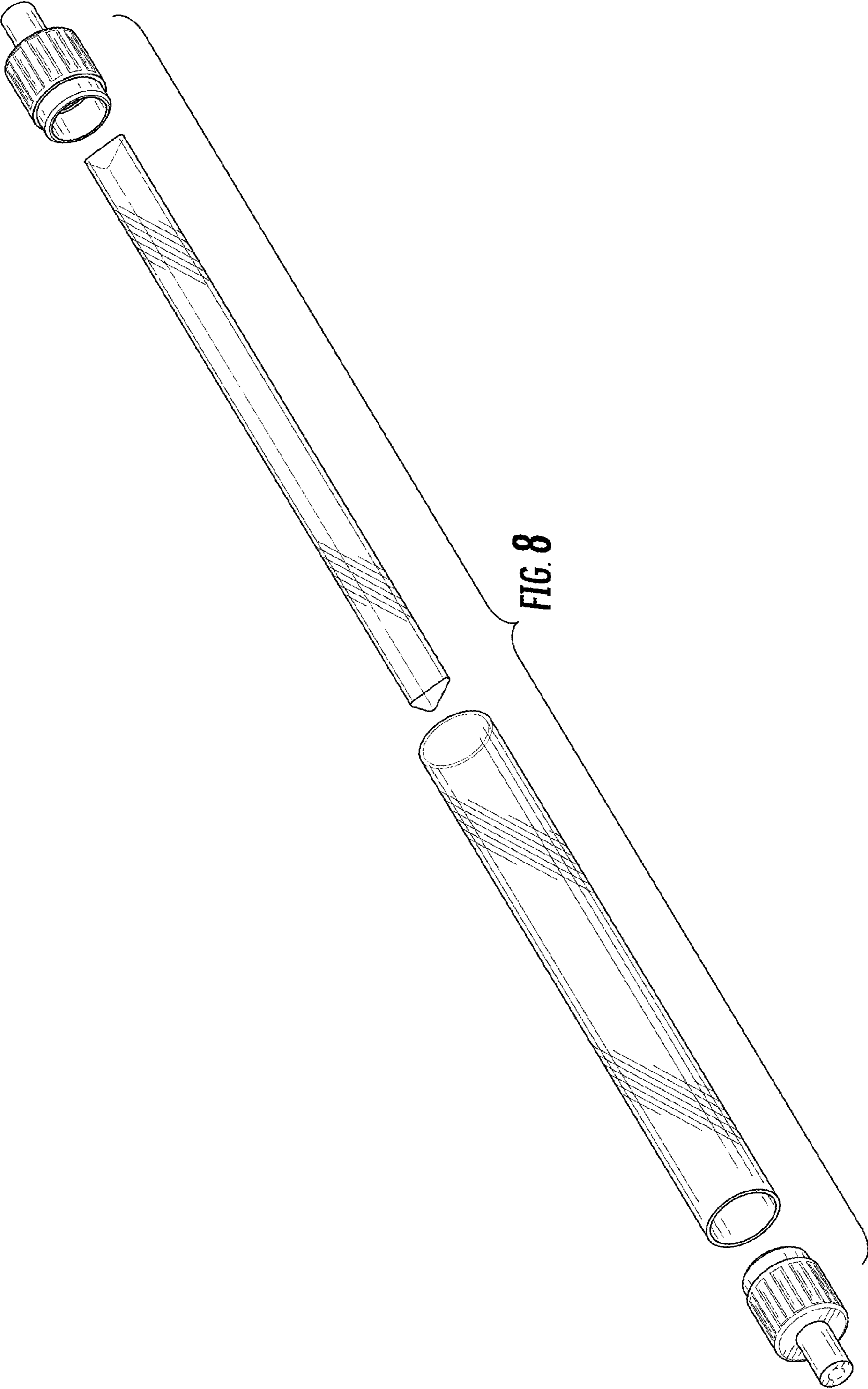


FIG. 8