



US00D877631S

(12) **United States Design Patent**
Muller

(10) **Patent No.:** **US D877,631 S**

(45) **Date of Patent:** **** Mar. 10, 2020**

(54) **WATCH**

(71) Applicant: **Montblanc-Simplo GmbH**, Hamburg
(DE)

(72) Inventor: **Caroline Muller**, Neuchâtel (CH)

(73) Assignee: **Montblanc-Simplo GmbH**, Hamburg
(DE)

(**) Term: **15 Years**

(21) Appl. No.: **29/644,318**

(22) Filed: **Apr. 17, 2018**

(30) **Foreign Application Priority Data**

Oct. 17, 2017 (WO) 5088001

(51) **LOC (12) Cl.** **10-02**

(52) **U.S. Cl.**
USPC **D10/39**

(58) **Field of Classification Search**

USPC D10/1-2, 6, 14-15, 30-39, 40-41, 98,
D10/102, 121-126, 128-129; D11/3-5,
D11/12, 18-19, 23, 93; D14/344

CPC .. A44C 5/02; G04B 17/28-285; G04B 19/00;
G04B 19/048; G04B 19/06; G04B
19/065; G04B 19/08; G04B 19/085;
G04B 19/087; G04B 19/10; G04B
19/103; G04B 19/106; G04B 19/12;
G04B 19/16; G04B 19/22; G04B 19/223;
G04B 19/24; G04B 19/243; G04B 29/00;
G04B 37/00; G04B 37/008; G04B
37/0058; G04B 37/12; G04B 37/14;
G04B 37/1486; G04B 45/0069; G04B
45/0076; G04B 47/00; G04B 47/048

See application file for complete search history.

(56) **References Cited**

U.S. PATENT DOCUMENTS

D131,628 S * 3/1942 Heinmuller D10/1
2,352,889 A * 7/1944 Drescher G04B 3/045
368/288

D650,710 S * 12/2011 Laucella D10/39
D651,099 S * 12/2011 Ruffieux D10/38
D652,328 S * 1/2012 Laucella D10/39
D656,416 S * 3/2012 Monachon D10/39
D677,176 S * 3/2013 Ruffieux D10/39
D678,081 S * 3/2013 Cabiddu D10/38

(Continued)

OTHER PUBLICATIONS

Montblanc 1858 Chronograph Tachymeter | posted at ablogtowatch.com Mar. 2016 [online]. © 2007-2019 aBlogtoWatch [retrieved Mar. 3, 2019] from Internet: <<https://www.ablogtowatch.com/montblanc-1858-chronograph-tachymeter-limited-edition-watch/>> (Year: 2015).*

(Continued)

Primary Examiner — Sandra S Snapp

Assistant Examiner — Katherine Glennon

(74) *Attorney, Agent, or Firm* — Taft Stettinius & Hollister LLP

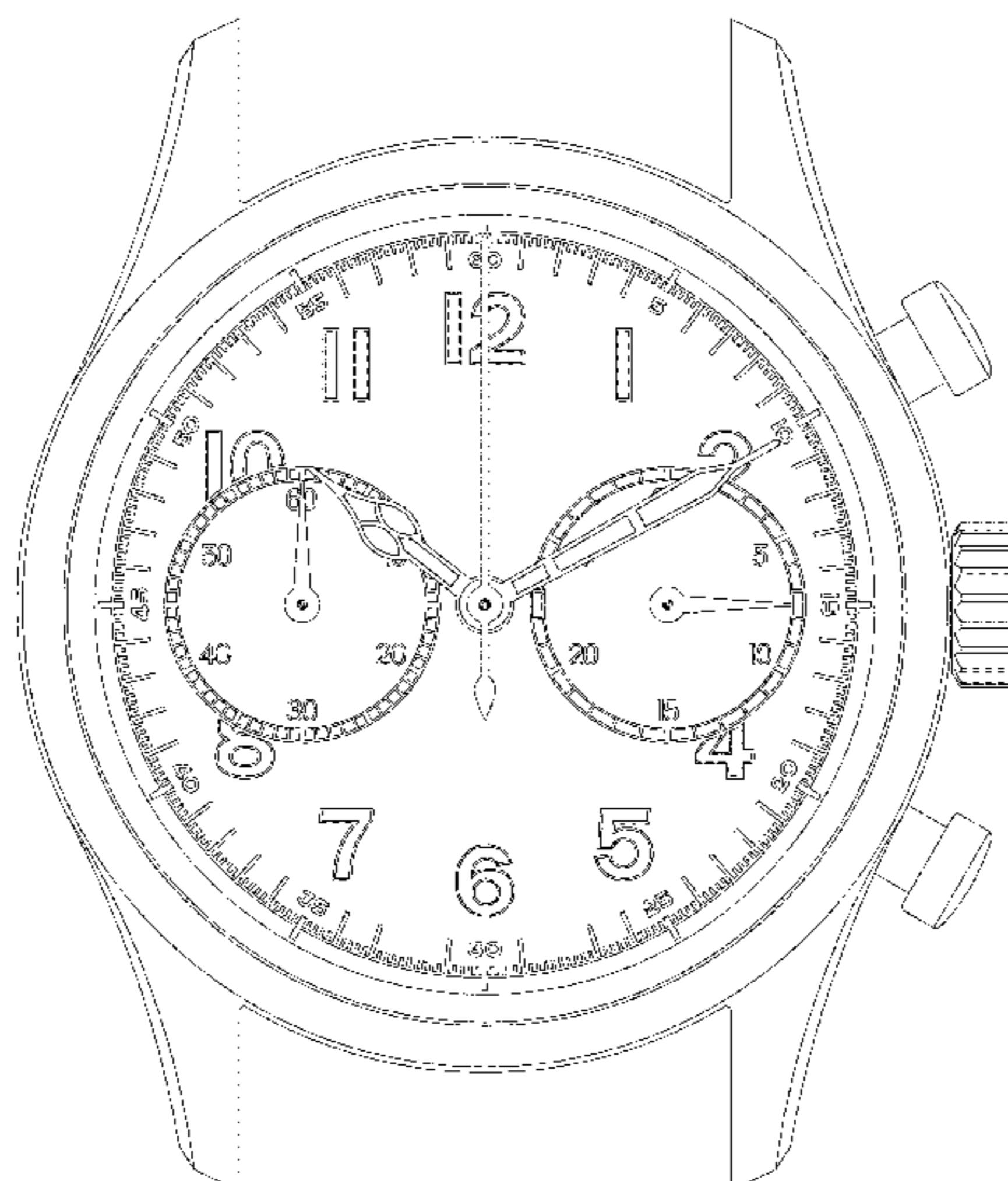
(57) **CLAIM**

The ornamental design for a watch, as shown and described.

DESCRIPTION

FIG. 1 is a front elevational view of a watch showing my new design;
FIG. 2 is a back elevational view thereof;
FIG. 3 is a right side elevational view thereof;
FIG. 4 is a left side elevational view thereof;
FIG. 5 is a bottom plan view thereof;
FIG. 6 is a top plan view thereof;
FIG. 7 is a front, right side perspective view thereof; and,
FIG. 8 is a back, left side perspective view thereof.
The broken lines in the drawing figures depict portions of the watch that form no part of the claimed design.

1 Claim, 8 Drawing Sheets



(56)

References Cited

U.S. PATENT DOCUMENTS

D768,512 S * 10/2016 Ruffieux D10/32
D795,087 S * 8/2017 Monachon D10/30
D795,707 S * 8/2017 Monachon D10/30
D815,548 S * 4/2018 Pilot D10/38
D821,243 S * 6/2018 Usadel D10/126
D830,203 S * 10/2018 Antifora D10/39
D835,524 S * 12/2018 Pilot D10/39
D835,525 S * 12/2018 Pilot D10/39
D835,526 S * 12/2018 Pilot D10/39
2012/0182838 A1 * 7/2012 Farron G04B 27/026
368/18

OTHER PUBLICATIONS

Montblanc vintage-themed 1858 Collection | posted at salonqp.com
Oct. 2015 [online]. © 2018 QP Magazine Ltd [retrieved Mar. 16,
2019] from Internet: <[https://www.salonqp.com/updates/new_watches/
montblanc-1858-chronograph-tachymeter/](https://www.salonqp.com/updates/new_watches/montblanc-1858-chronograph-tachymeter/)> (Year: 2015).*

Montblanc 1858 Automatic and Chronograph | posted at watchesbysjx.
com Jan. 2018 [online]. © 2011-2019 SJX [retrieved Mar. 15, 2019]
from Internet: <[http://watchesbysjx.com/2018/01/sihh-2018-hands-
on-with-the-face-lifted-montblanc-1858-automatic-and-chronograph.
html](http://watchesbysjx.com/2018/01/sihh-2018-hands-on-with-the-face-lifted-montblanc-1858-automatic-and-chronograph.html)> (Year: 2018).*

* cited by examiner



Fig. 1

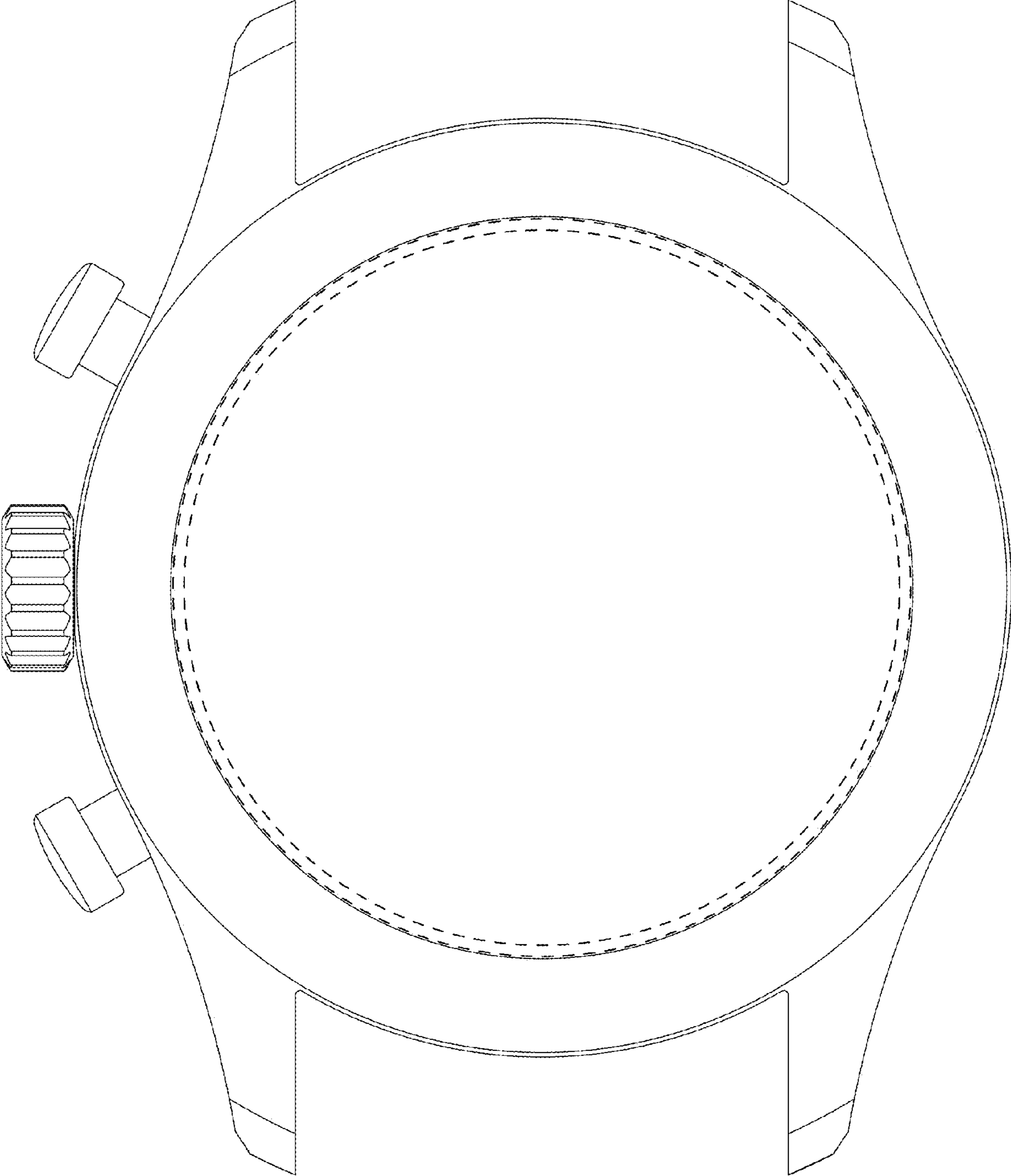


Fig. 2

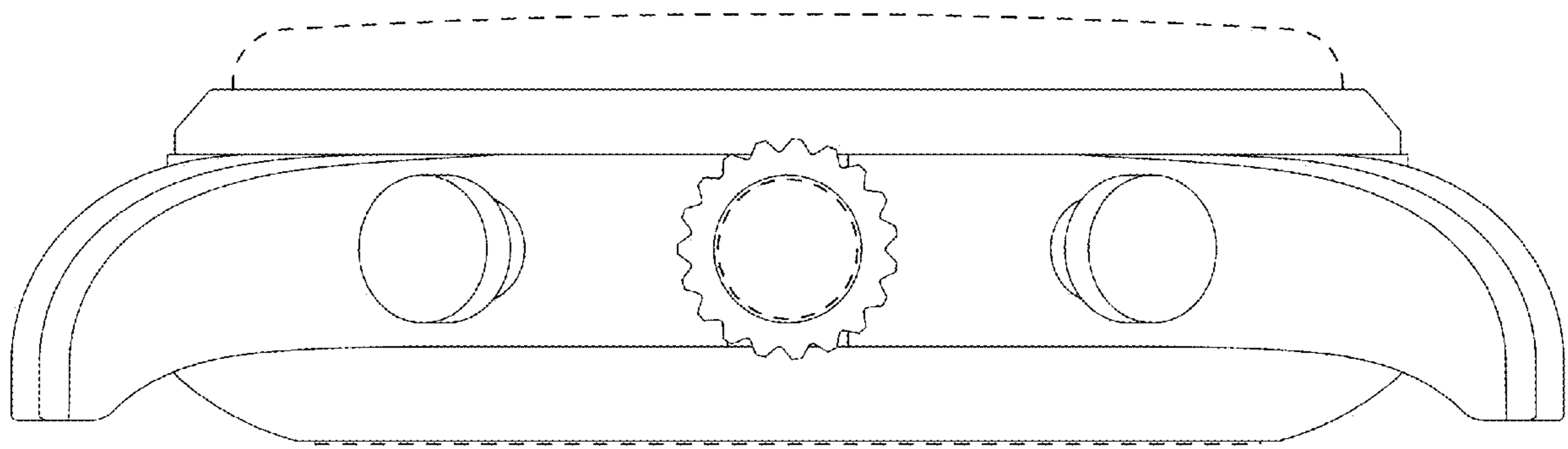


Fig. 3

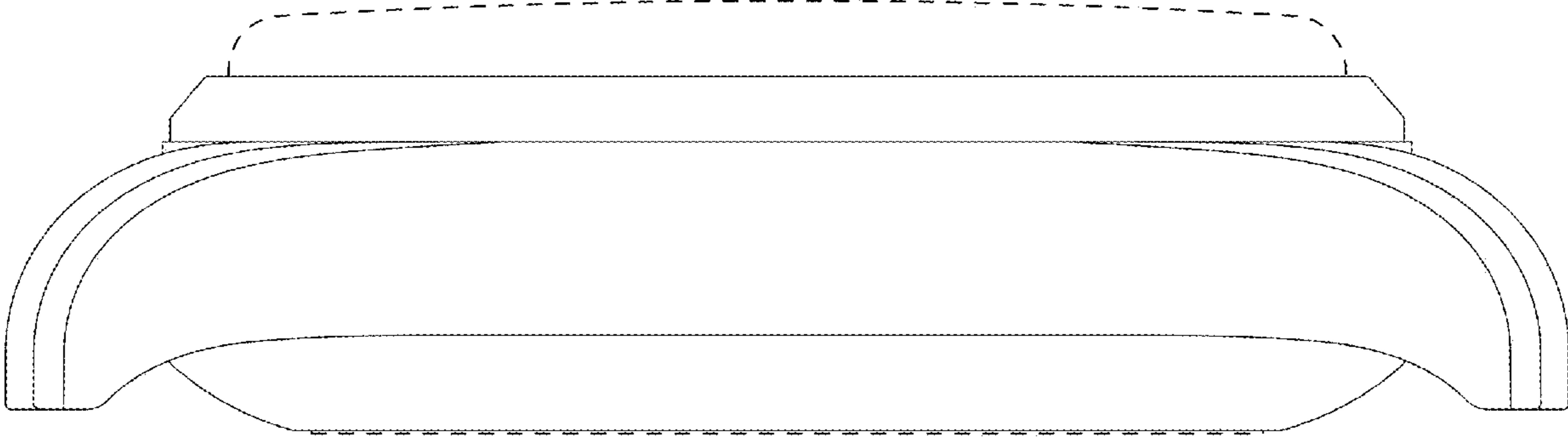


Fig. 4

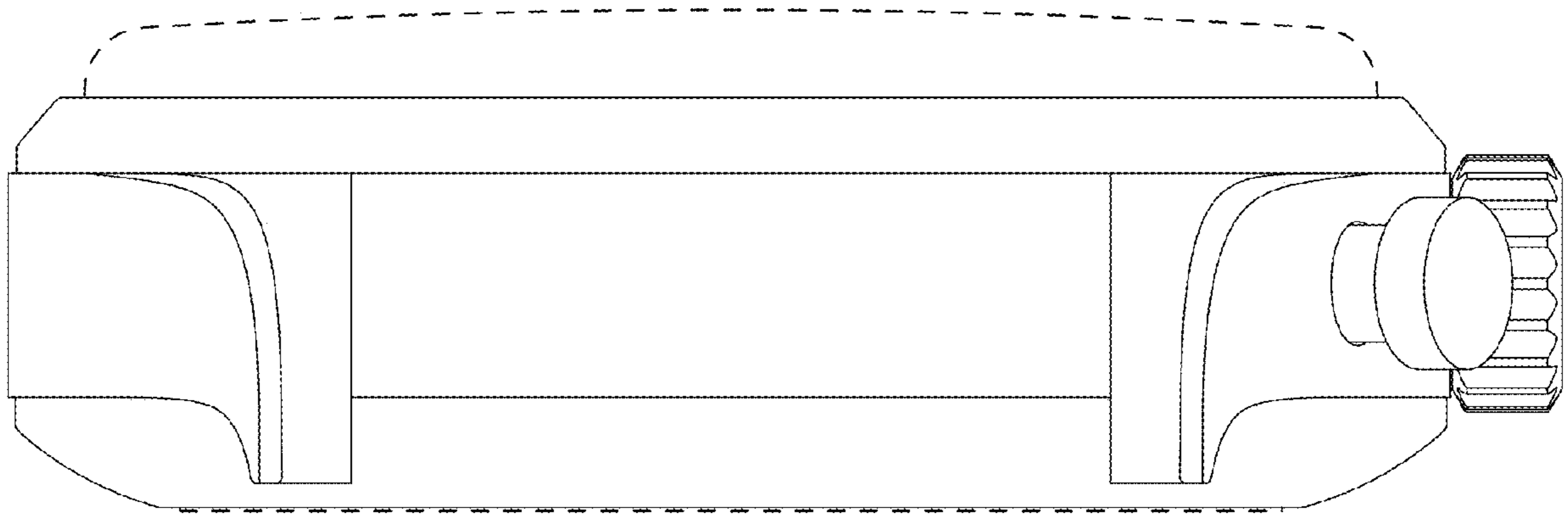


Fig. 5

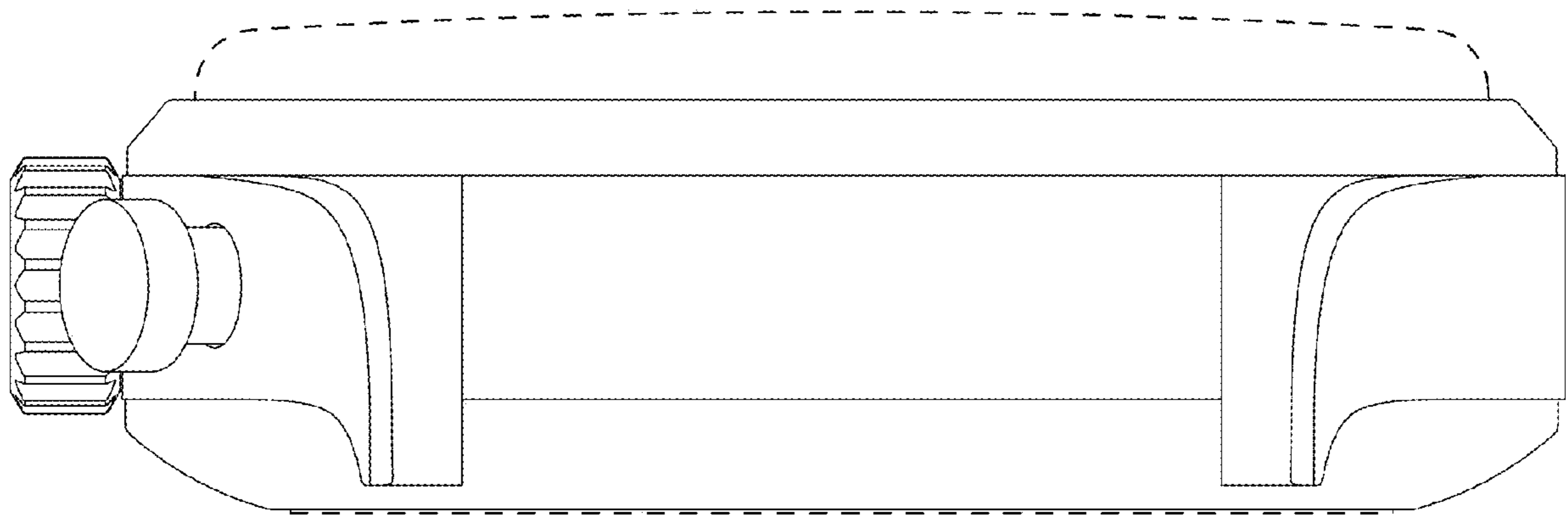


Fig. 6



Fig. 7

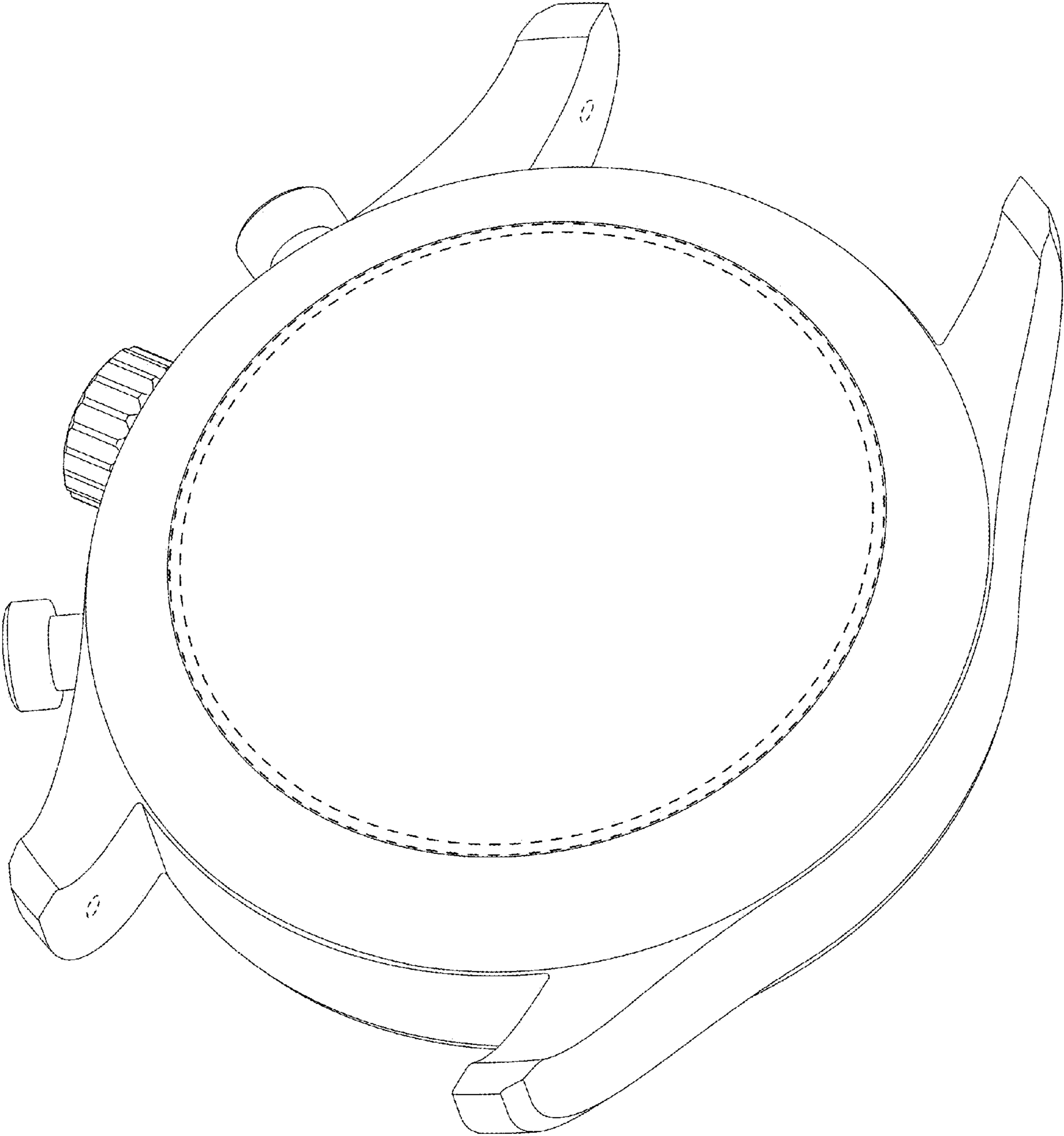


Fig. 8