



US00D877627S

(12) **United States Design Patent**
Muller

(10) **Patent No.:** **US D877,627 S**
(45) **Date of Patent:** **** Mar. 10, 2020**

(54) **WATCH CASE**

(71) Applicant: **Montblanc-Simplo GmbH**, Hamburg
(DE)

(72) Inventor: **Caroline Muller**, Neuchâtel (CH)

(73) Assignee: **Montblanc-Simplo GmbH**, Hamburg
(DE)

(**) Term: **15 Years**

(21) Appl. No.: **29/644,320**

(22) Filed: **Apr. 17, 2018**

(30) **Foreign Application Priority Data**

Oct. 17, 2017 (WO) 5088001

(51) **LOC (12) Cl.** **10-02**

(52) **U.S. Cl.**
USPC **D10/30**

(58) **Field of Classification Search**

USPC D10/1-2, 6, 14-15, 30-39, 40-41, 98,
D10/102, 121-126, 128-129; D11/3-5,
D11/12, 18-19, 23, 93; D14/344
CPC .. A44C 5/02; G04B 17/28-285; G04B 19/00;
G04B 19/048; G04B 19/06; G04B
19/065; G04B 19/08; G04B 19/085;
G04B 19/087; G04B 19/10; G04B
19/103; G04B 19/106; G04B 19/12;
G04B 19/16; G04B 19/22; G04B 19/223;
G04B 19/24; G04B 19/243; G04B 29/00;
G04B 37/00; G04B 37/008; G04B
37/0058; G04B 37/12; G04B 37/14;
G04B 37/1486; G04B 45/0069; G04B
45/0076; G04B 47/00; G04B 47/048

See application file for complete search history.

(56) **References Cited**

U.S. PATENT DOCUMENTS

D423,951 S * 5/2000 Fichter D10/126
D447,063 S * 8/2001 Scheufele D10/30

D508,416 S * 8/2005 Tang D10/30
D547,211 S * 7/2007 Dias D10/39
D589,371 S * 3/2009 Miloradovic D10/32
D590,276 S * 4/2009 Miloradovic D10/32
D594,765 S * 6/2009 Rieseler D10/39
D645,361 S * 9/2011 Parmigiani D10/38
D651,099 S * 12/2011 Ruffieux D10/38

(Continued)

OTHER PUBLICATIONS

1950 Minerva Chronograph Watch | posted at Matthewbaininc.com,
no posting date; watch circa 1950 [online].[retrieved Apr. 1, 2019]
from Internet: <<https://www.matthewbaininc.com/watch-details/2430>> (Year: 1950).*

(Continued)

Primary Examiner — Sandra S Snapp

Assistant Examiner — Katherine Glennon

(74) *Attorney, Agent, or Firm* — Taft Stettinius &
Hollister LLP

(57)

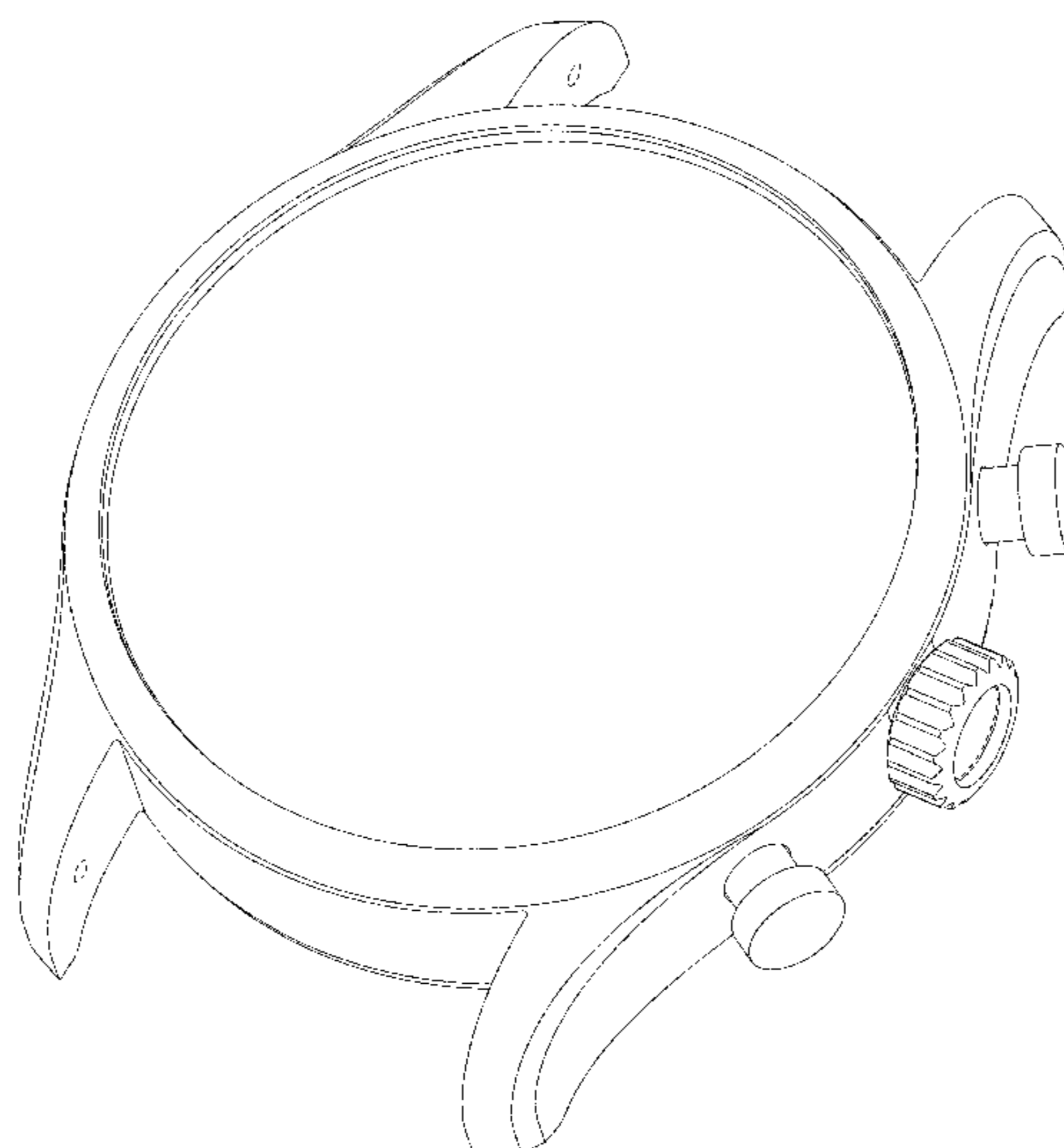
CLAIM

The ornamental design for a watch case, as shown and
described.

DESCRIPTION

FIG. 1 is a front elevational view of a watch case showing
my new design;
FIG. 2 is a back elevational view thereof;
FIG. 3 is a right side elevational view thereof;
FIG. 4 is a left side elevational view thereof;
FIG. 5 is a bottom plan view thereof;
FIG. 6 is a top plan view thereof;
FIG. 7 is a front, right side perspective view thereof; and,
FIG. 8 is a back, left side perspective view thereof.
The broken lines in the drawing figures form no part of the
claimed design.

1 Claim, 8 Drawing Sheets



(56)

References Cited

U.S. PATENT DOCUMENTS

D677,176 S * 3/2013 Ruffieux D10/39
D678,081 S * 3/2013 Cabiddu D10/38
D700,536 S * 3/2014 Cerrato D10/128
D768,512 S * 10/2016 Ruffieux D10/32
D815,548 S * 4/2018 Pilot D10/38
D835,524 S * 12/2018 Pilot D10/39

OTHER PUBLICATIONS

Montblanc 1858 Automatic | posted at hodinkee.com Dec. 2016 [online]. © 2009-2019, Hodinkee Inc [retrieved Apr. 1, 2019] from Internet: <<https://www.hodinkee.com/articles/montblanc-1858-two-tone-stainless-steel-bronze-introducing>> (Year: 2016).*

* cited by examiner

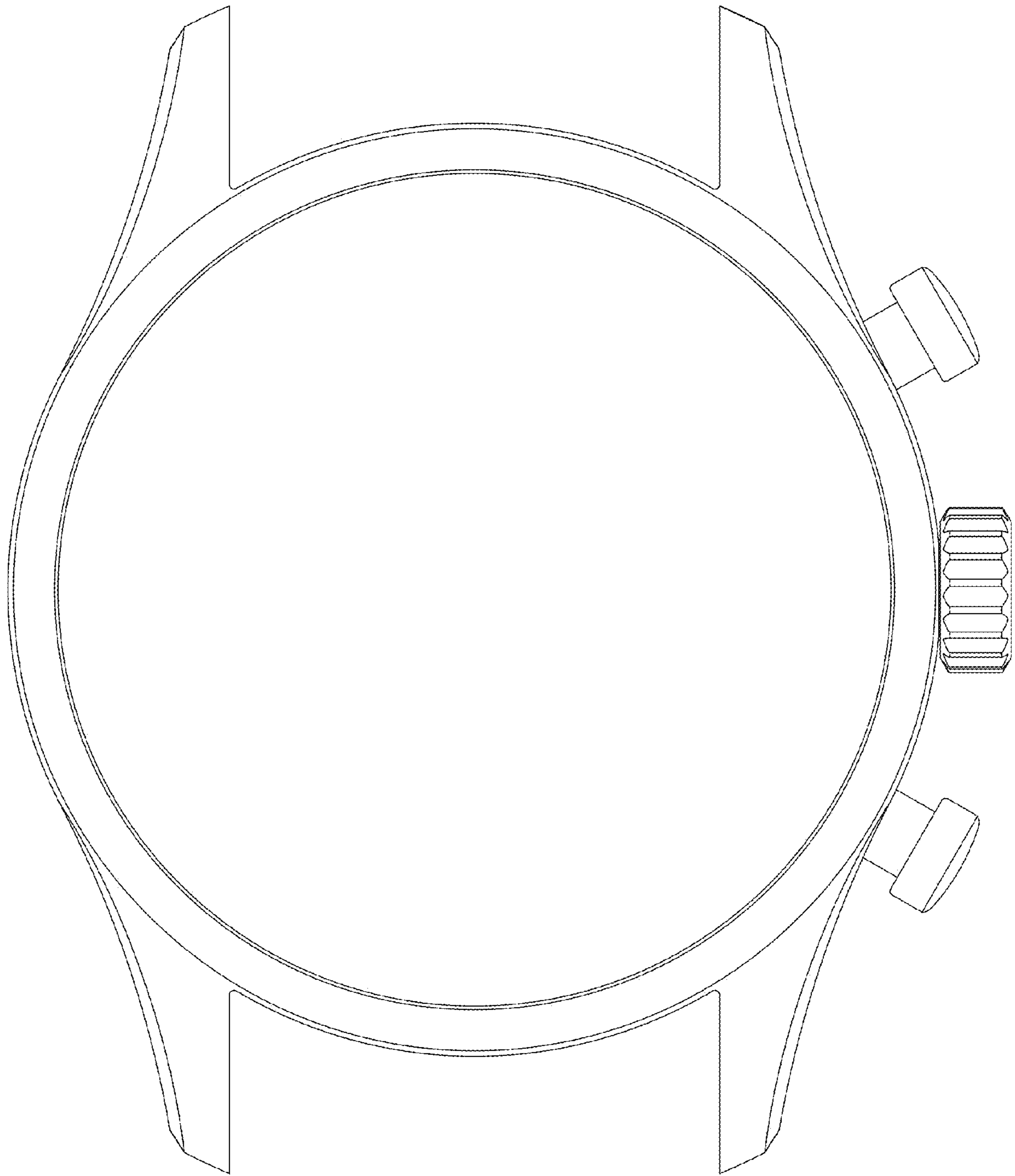


Fig. 1

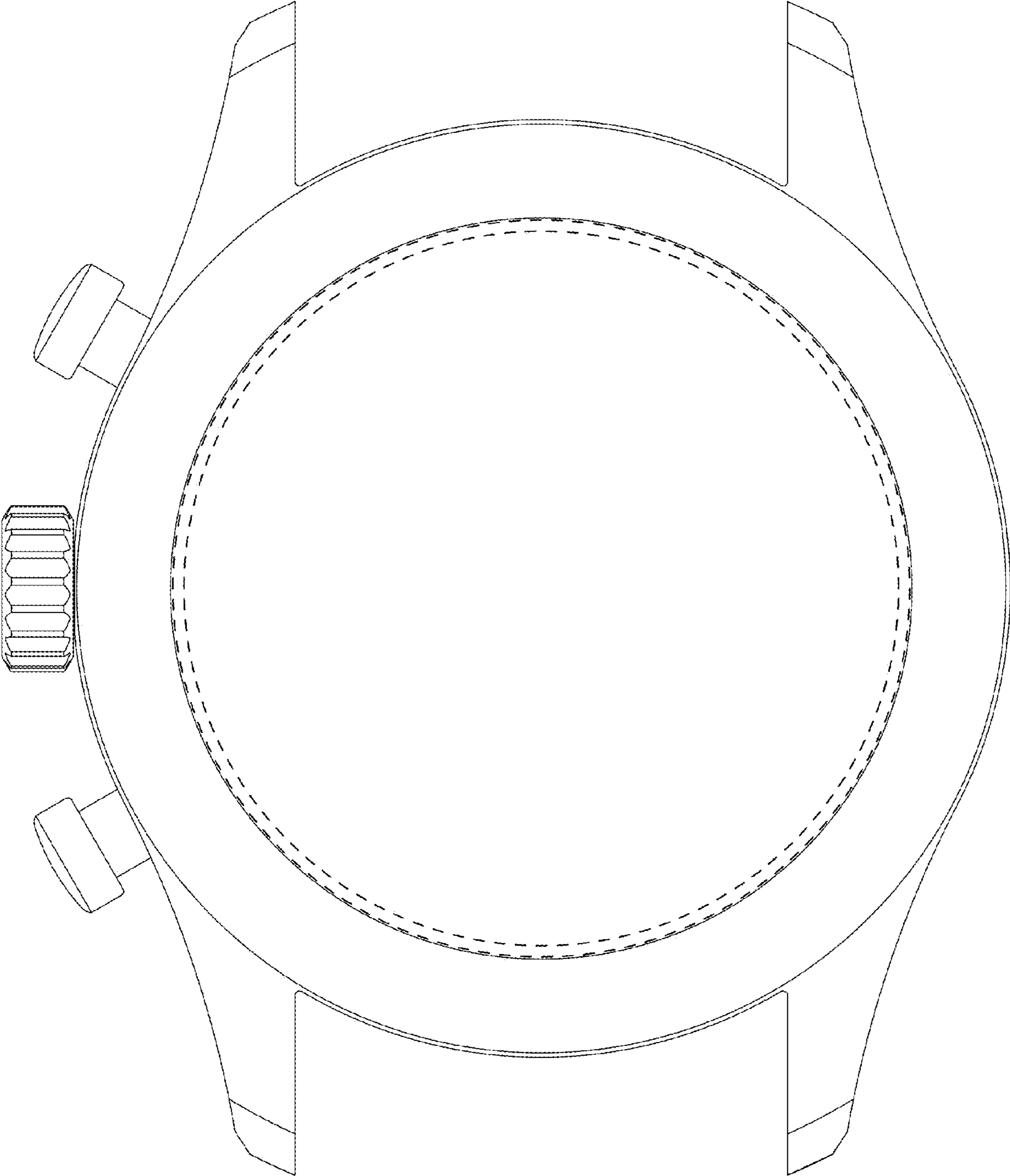


Fig. 2

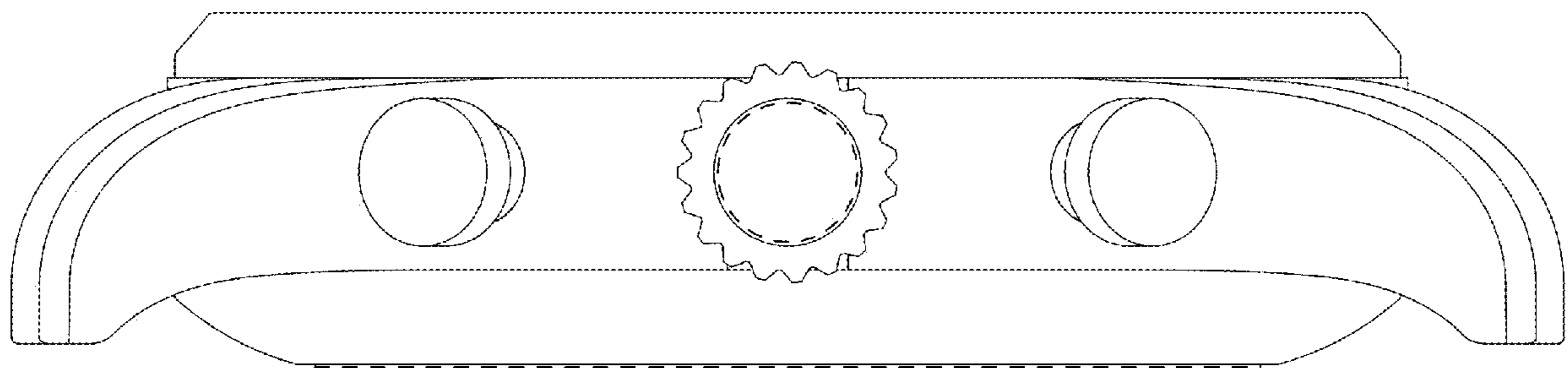


Fig. 3



Fig. 4

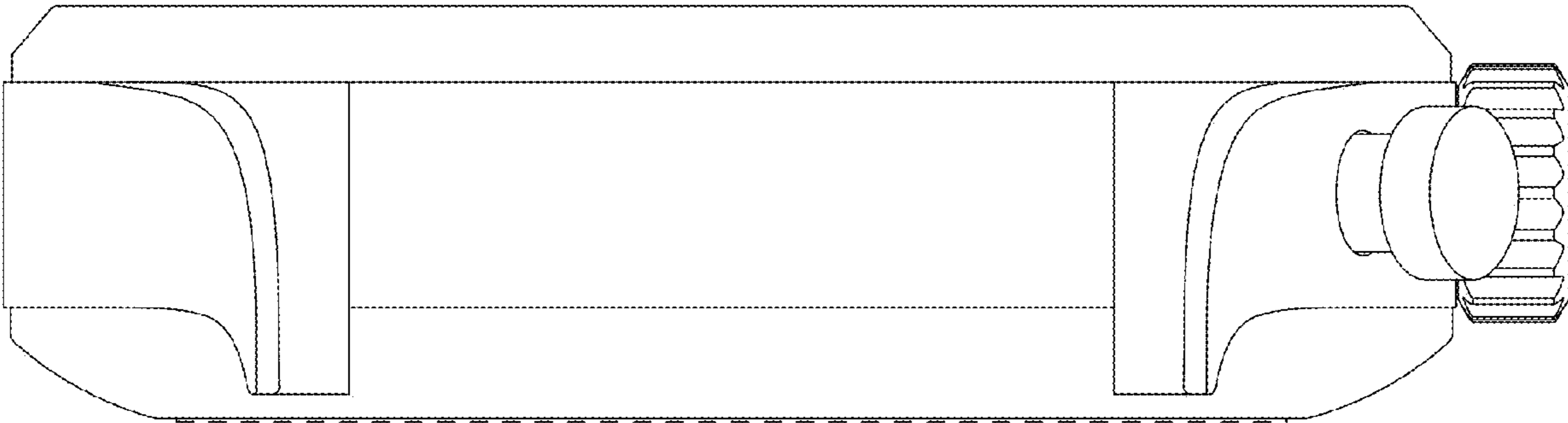


Fig. 5

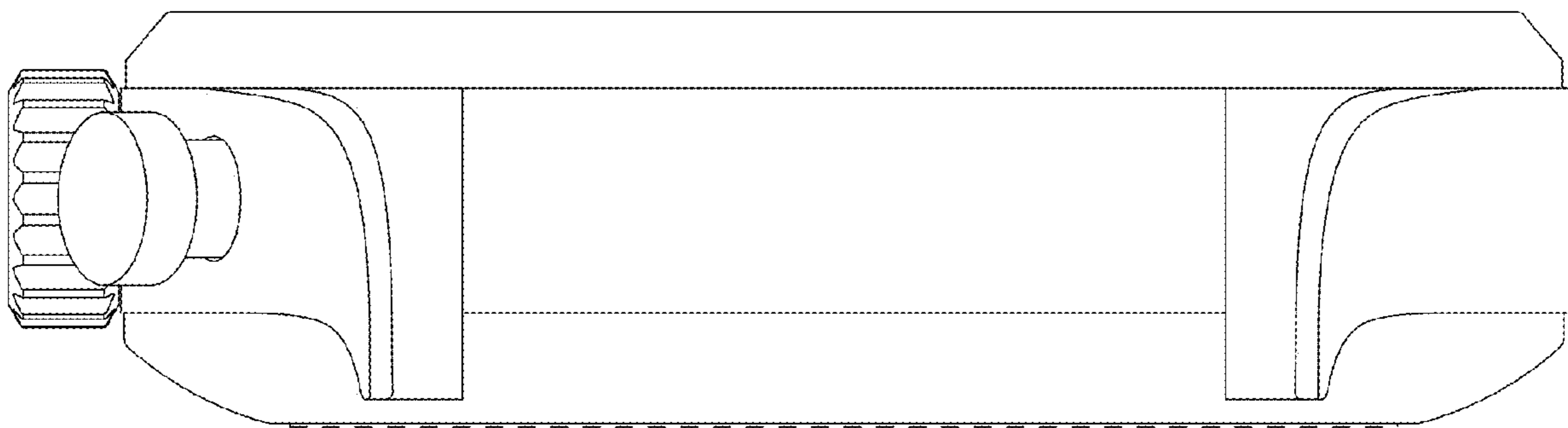


Fig. 6

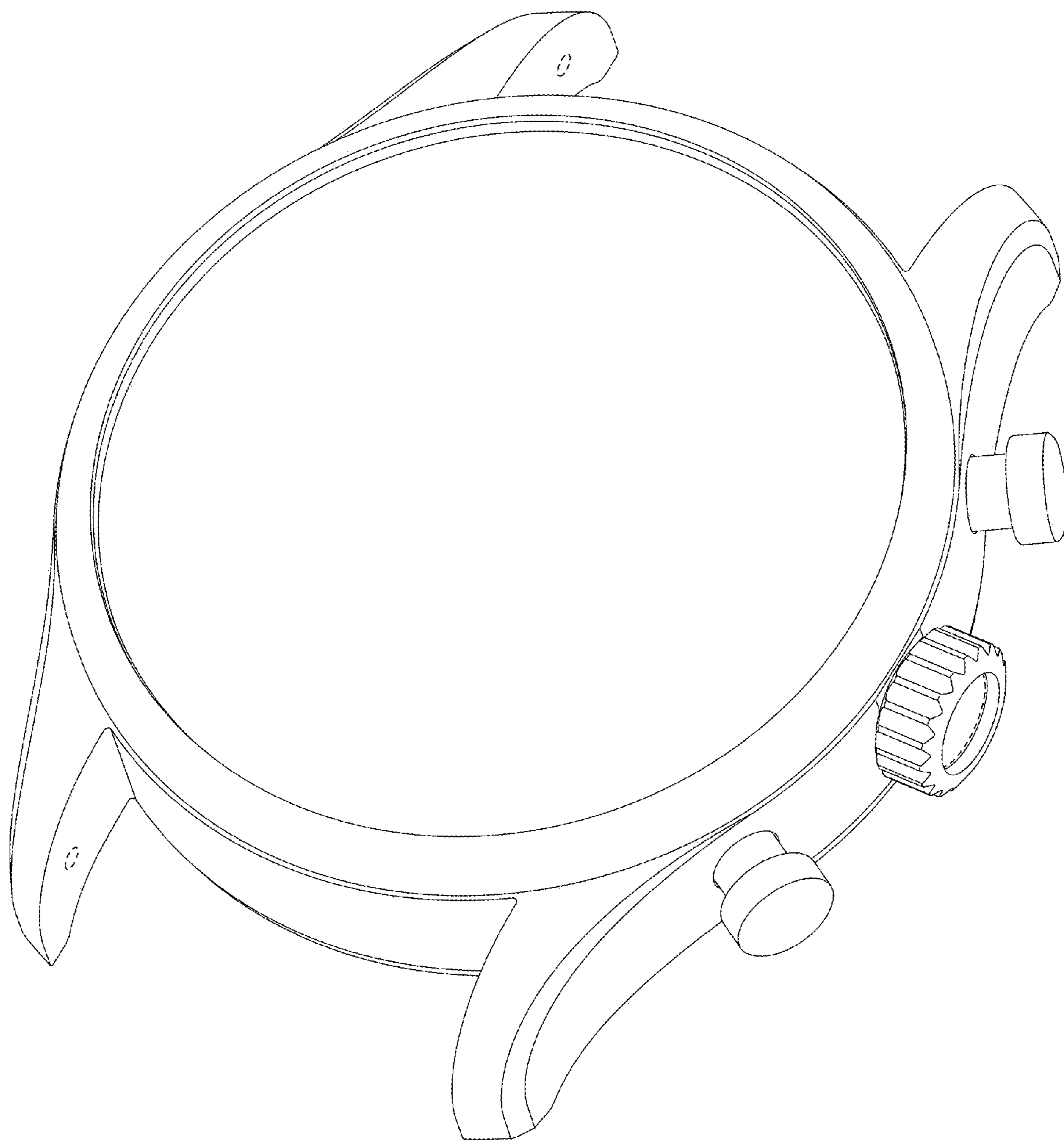


Fig. 7

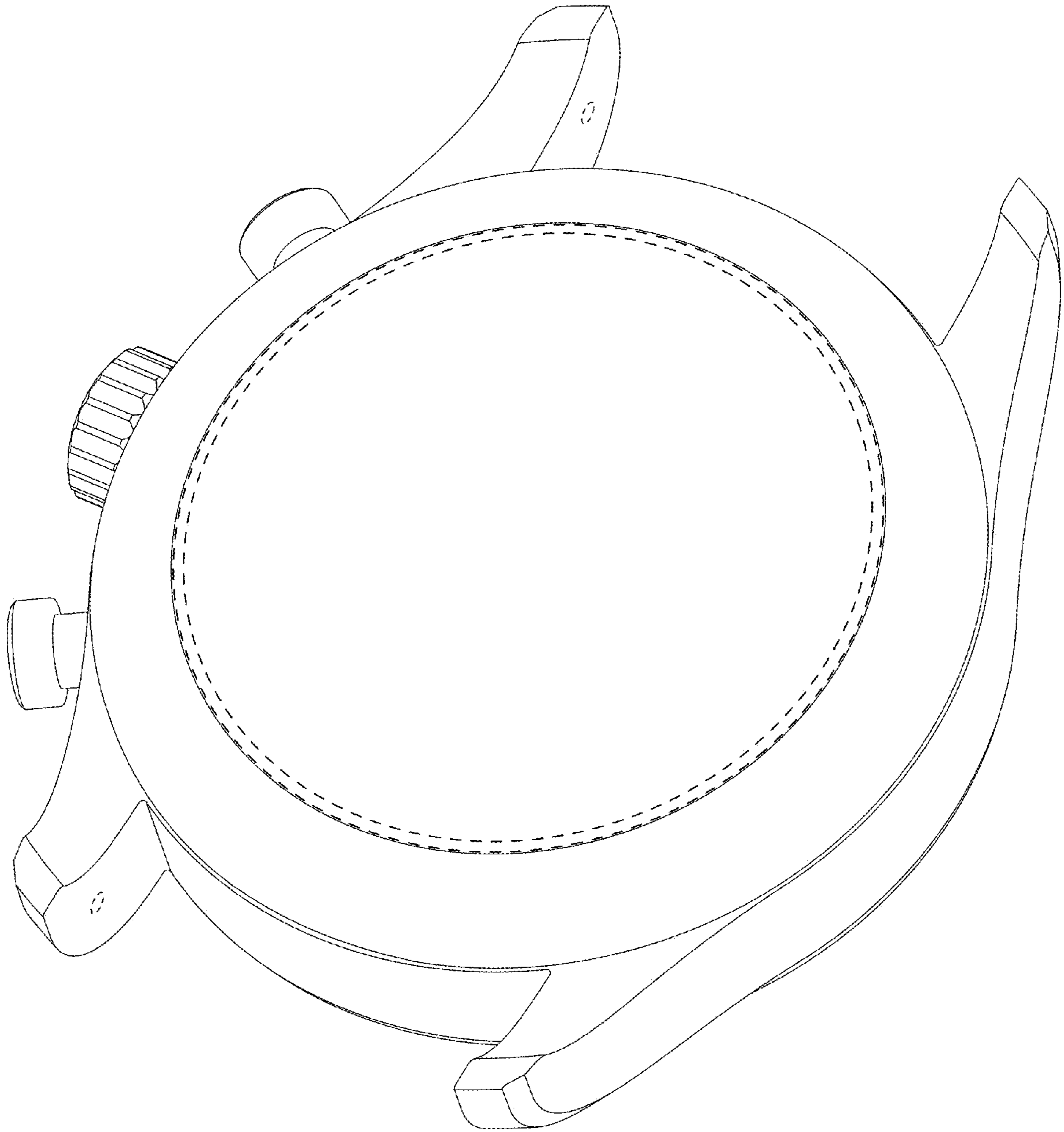


Fig. 8