



US00D877626S

(12) **United States Design Patent**
Bergeron et al.

(10) **Patent No.:** **US D877,626 S**
(45) **Date of Patent:** **** Mar. 10, 2020**

- (54) **TRI-FOLD EGG CARTON**
- (71) Applicant: **Tekni-Plex, Inc.**, Wayne, PA (US)
- (72) Inventors: **Mark A. Bergeron**, Monroe, GA (US);
Babu Kuruvilla, Griffin, GA (US);
Roger P. Lichtle, Decatur, IN (US)
- (73) Assignee: **Tekni-Plex, Inc.**, Wayne, PA (US)
- (**) Term: **15 Years**
- (21) Appl. No.: **29/598,500**
- (22) Filed: **Mar. 27, 2017**
- (51) **LOC (12) Cl.** **09-03**
- (52) **U.S. Cl.**
USPC **D9/762; D9/757**
- (58) **Field of Classification Search**
USPC D9/762, 757, 737, 761, 420, 424, 425,
D9/432; D7/611, 550.1, 701, 703,
D7/553.1-553.5; 220/4.26, 508;
206/521.1, 521.15; 229/406
CPC B65D 85/32; B65D 85/324; B65D 11/02;
B65D 21/0223; B65D 43/162; B65D
43/169; B65D 5/503; B65D 81/113;
B65D 81/133; B65D 85/321; B65D
85/322; B29L 2031/7134; B29L
2031/7168; B65B 5/068
See application file for complete search history.

(56) **References Cited**

U.S. PATENT DOCUMENTS

| | | | | | |
|-----------|-----|---------|------------|-------|--------------------------|
| 2,066,587 | A * | 1/1937 | Swift, Jr. | | B65D 85/322 217/26.5 |
| 2,315,624 | A * | 4/1943 | Kieckhefer | | B65D 85/321 206/521.1 |
| 2,569,681 | A * | 10/1951 | Lennon | | B65D 85/324 206/521.8 |
| 2,668,652 | A * | 2/1954 | Russell | | B65D 85/324 206/521.1 |

| | | | | | |
|-----------|------|---------|----------------|-------|--------------------------|
| 2,776,082 | A * | 1/1957 | Bennorth | | B65D 85/325 206/521.7 |
| 3,326,443 | A * | 6/1967 | Burkett | | B65D 85/324 206/521.1 |
| 6,173,858 | B1 * | 1/2001 | Norwood | | B65D 11/02 220/613 |
| D466,802 | S * | 12/2002 | Davkovski | | D9/757 |
| D719,025 | S * | 12/2014 | Ramirez | | D9/456 |
| 9,169,058 | B1 * | 10/2015 | Ramirez | | B65D 85/324 |
| 9,340,349 | B2 | 5/2016 | Ramirez et al. | | |
| 9,340,350 | B2 | 5/2016 | Ramirez et al. | | |
| D766,663 | S * | 9/2016 | Bergeron | | D7/553.1 |
| D795,084 | S * | 8/2017 | Schleining | | D9/757 |
| D804,324 | S * | 12/2017 | Tayara | | D9/757 |
| D804,965 | S * | 12/2017 | Schleining | | D9/762 |
| D826,644 | S * | 8/2018 | Bergeron | | D7/553.1 |

(Continued)

Primary Examiner — W. A. Teddy Falloway

(74) *Attorney, Agent, or Firm* — Polsinelli, PC

(57) **CLAIM**

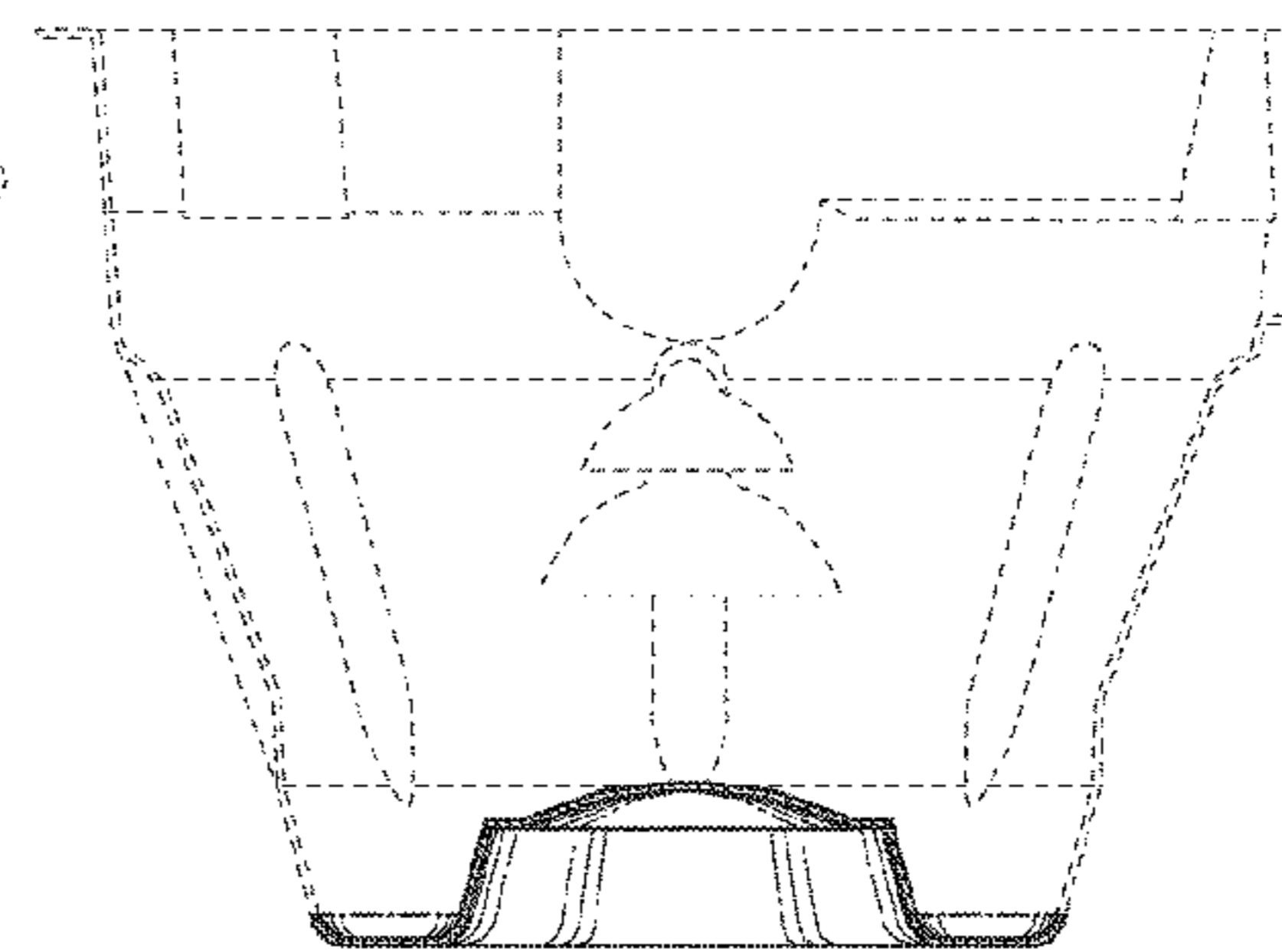
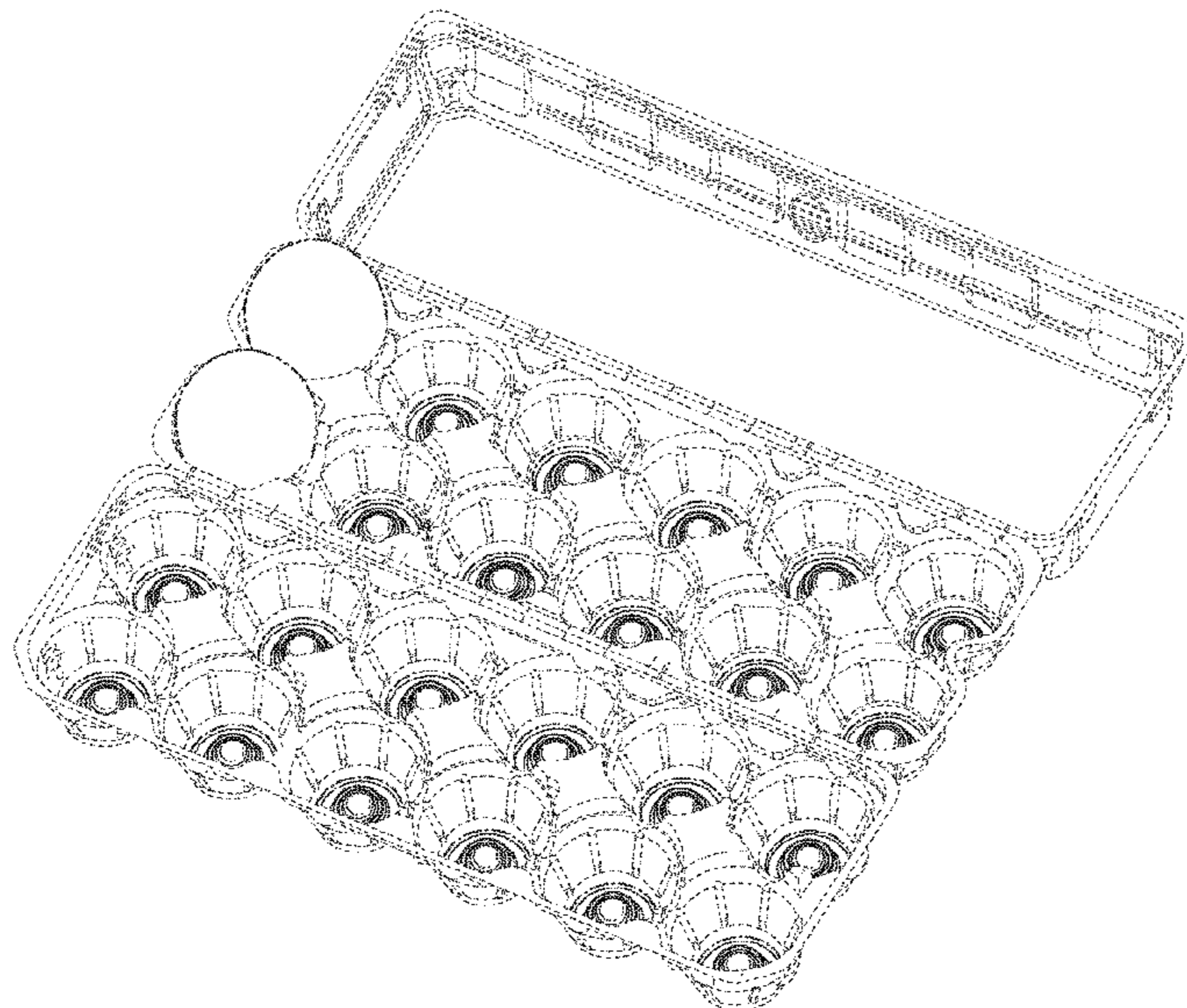
The ornamental design for the tri-fold egg carton, as shown and described.

DESCRIPTION

FIG. 1 is a top perspective view of a tri-fold egg carton. FIG. 2 is a bottom perspective view thereof; FIG. 3 is a front elevational view thereof; FIG. 4 is a rear elevational view thereof; FIG. 5 is a left-side elevational view thereof; FIG. 6 is a right-side elevational view thereof; FIG. 7 is a top plan view thereof; FIG. 8 is a bottom plan view thereof; and, FIG. 9 is an enlarged view thereof, taken along and in the direction of line FIG. 9-FIG. 9 of FIG. 8.

The dash-dash broken lines showing an egg carton illustrates portions of the tri-fold egg carton. The dash-dot-dot broken lines showing two eggs illustrate environmental structure. The dash-dot broken lines represent the bounds of the claim. The broken lines form no part of the claimed design.

1 Claim, 9 Drawing Sheets



(56)

References Cited

U.S. PATENT DOCUMENTS

| | | | | |
|--------------|------|---------|-------------------|--------------|
| D851,502 | S * | 6/2019 | Tayara | D9/762 |
| D853,859 | S * | 7/2019 | Tayara | D9/757 |
| 2005/0145529 | A1 * | 7/2005 | Andrews | B65D 85/32 |
| | | | | 206/521.1 |
| 2005/0189256 | A1 * | 9/2005 | St-Onge | B65D 85/32 |
| | | | | 206/521.1 |
| 2007/0151892 | A1 * | 7/2007 | St-Onge | B65D 85/32 |
| | | | | 206/521.1 |
| 2011/0226656 | A1 * | 9/2011 | Archambault | B65D 85/32 |
| | | | | 206/521.1 |
| 2013/0048527 | A1 | 2/2013 | Ramirez et al. | |
| 2013/0048528 | A1 * | 2/2013 | Ramirez | B65D 85/32 |
| | | | | 206/521.8 |
| 2013/0183412 | A1 | 7/2013 | Ramirez et al. | |
| 2013/0264243 | A1 * | 10/2013 | Aardema | B65D 85/32 |
| | | | | 206/521.1 |
| 2015/0000231 | A1 * | 1/2015 | Ramirez | B65B 5/068 |
| | | | | 53/475 |
| 2016/0046432 | A1 * | 2/2016 | Kuruvilla | B65D 85/32 |
| | | | | 206/521.1 |
| 2018/0155079 | A1 * | 6/2018 | Kuruvilla | B65D 21/0223 |
| 2018/0273284 | A1 * | 9/2018 | Bergeron | B65D 85/32 |

* cited by examiner

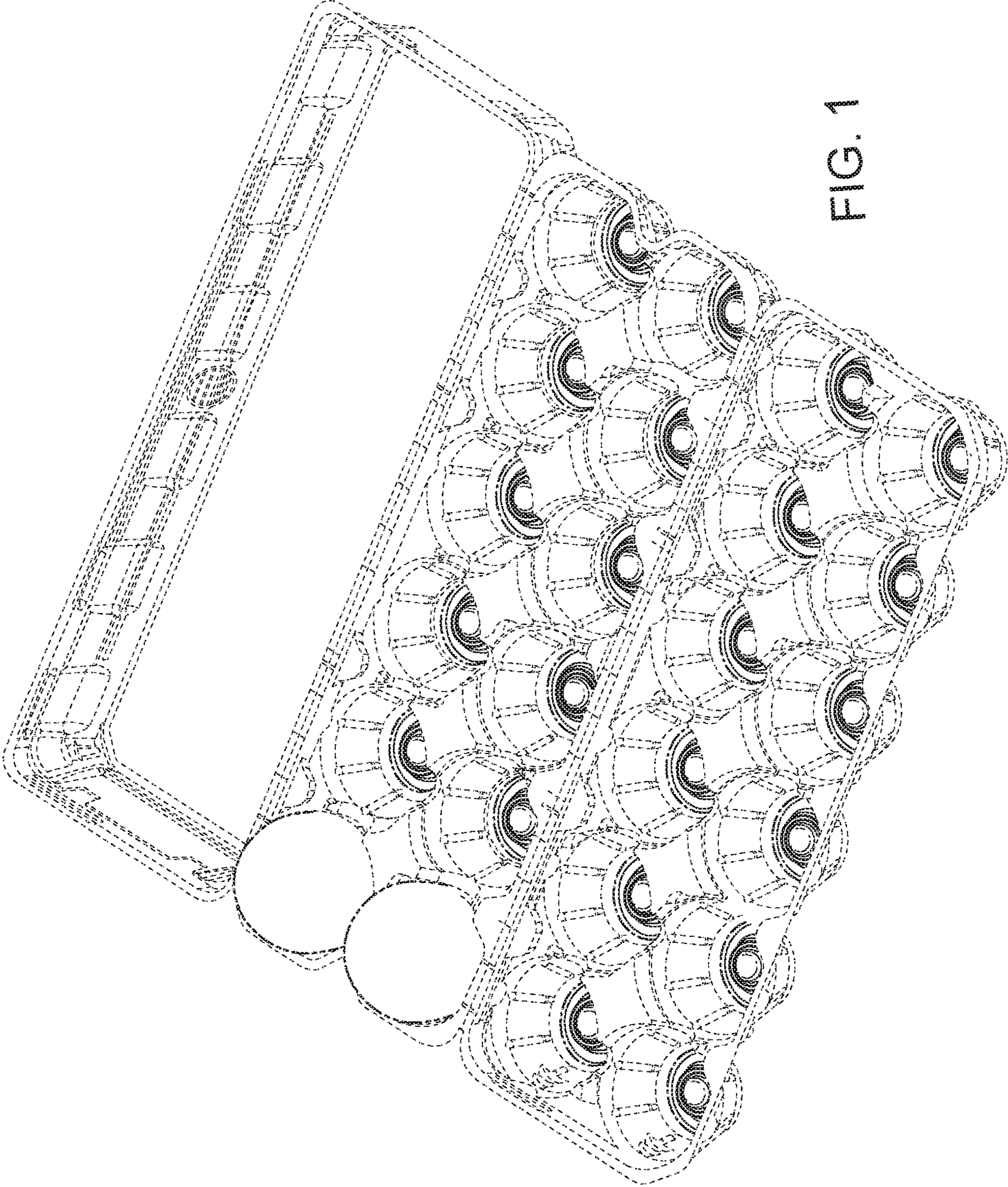


FIG. 1

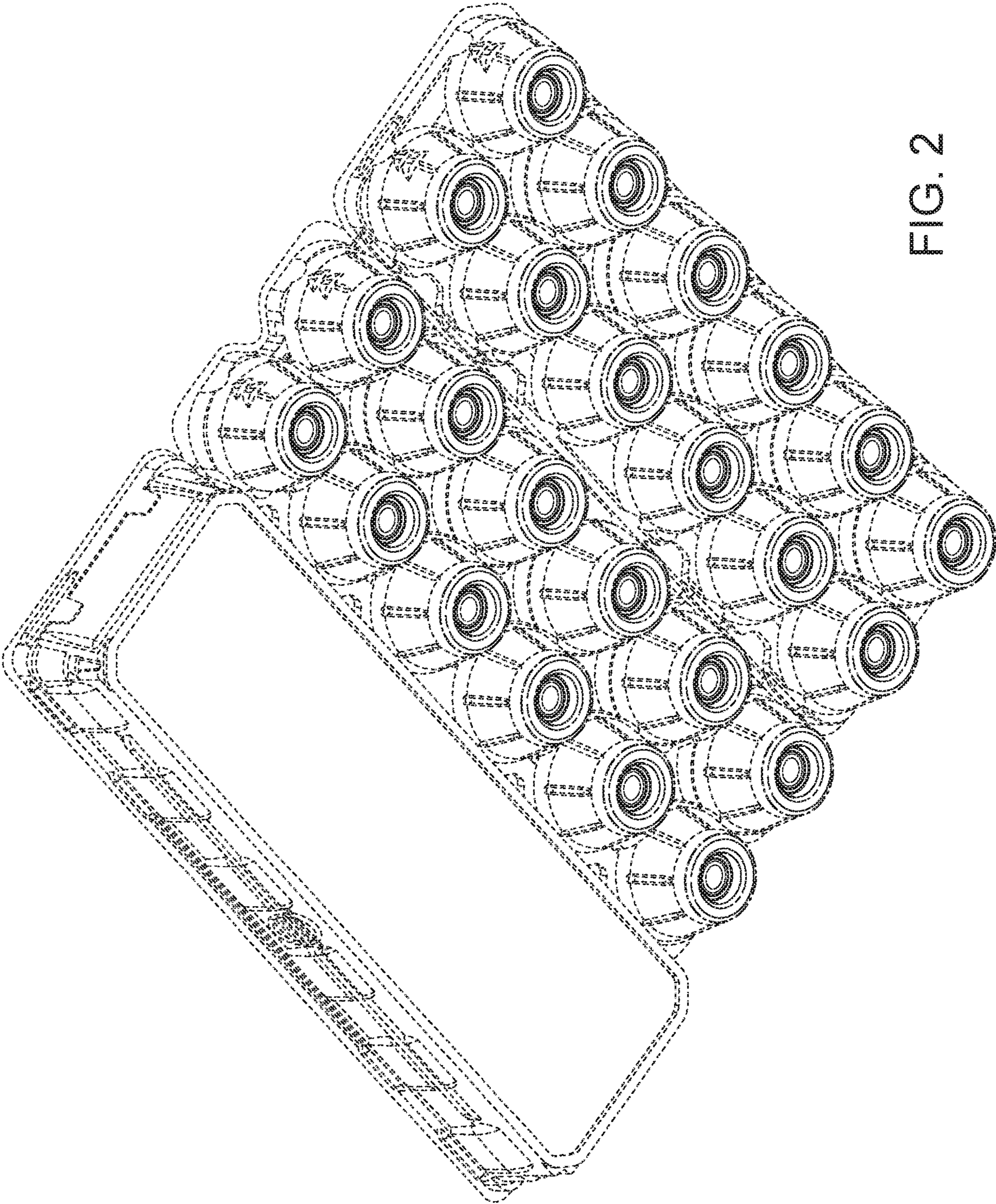


FIG. 2

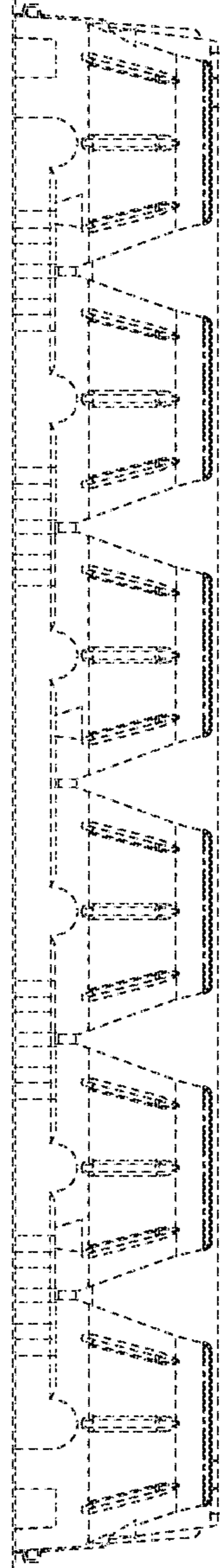


FIG. 3

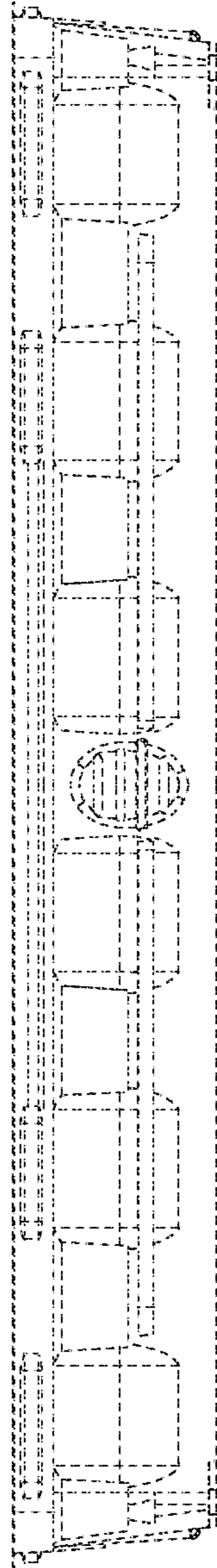


FIG. 4

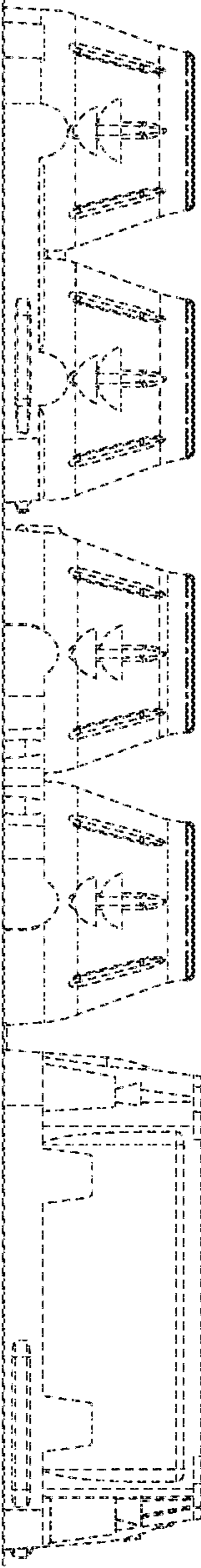


FIG. 5

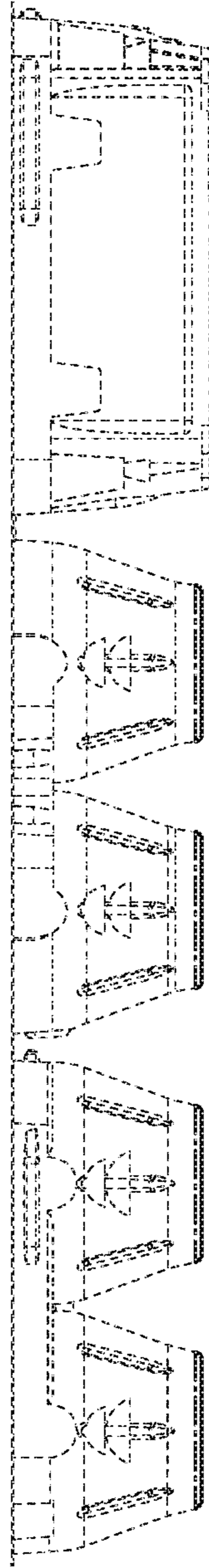


FIG. 6

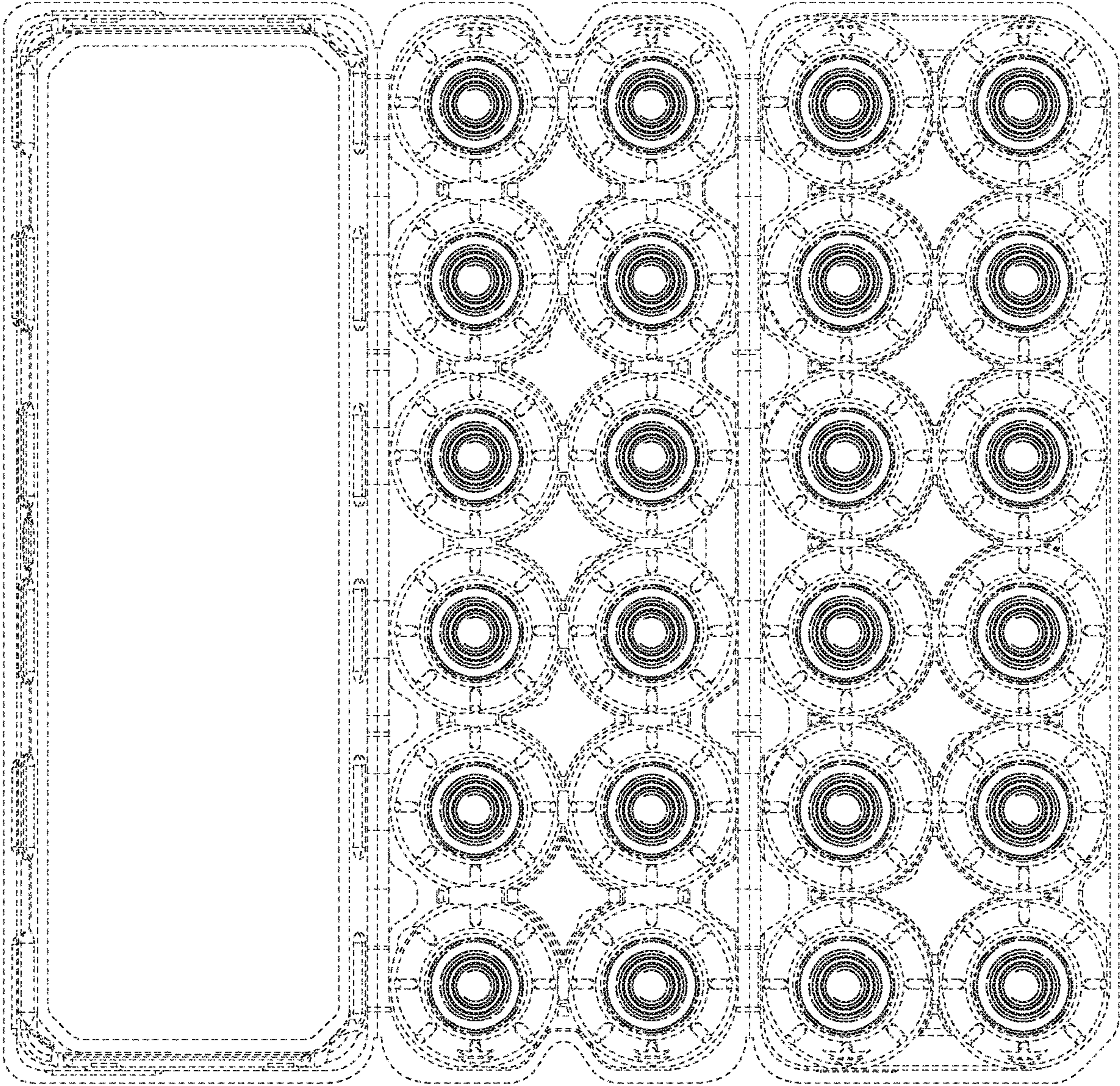
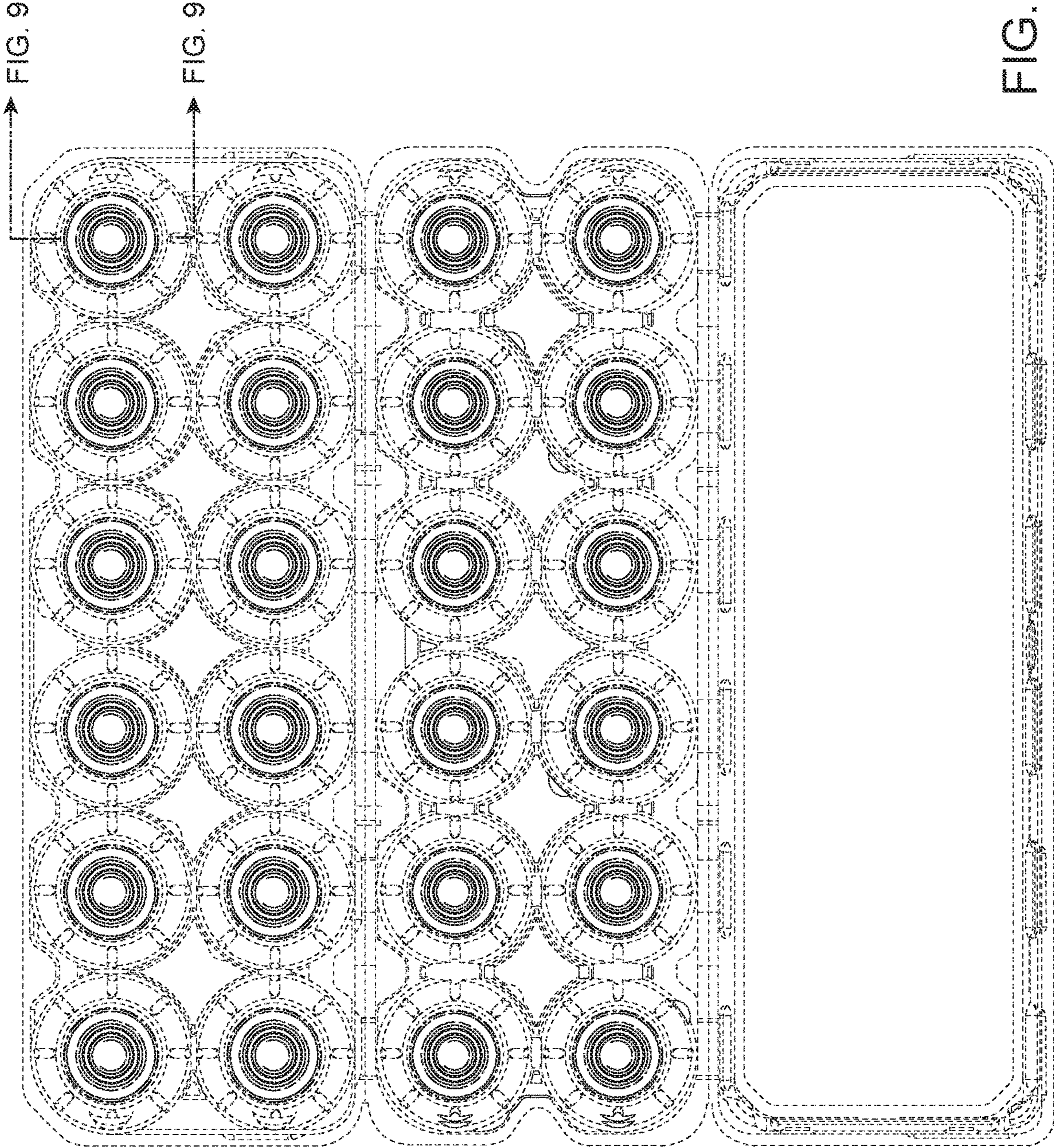


FIG. 7



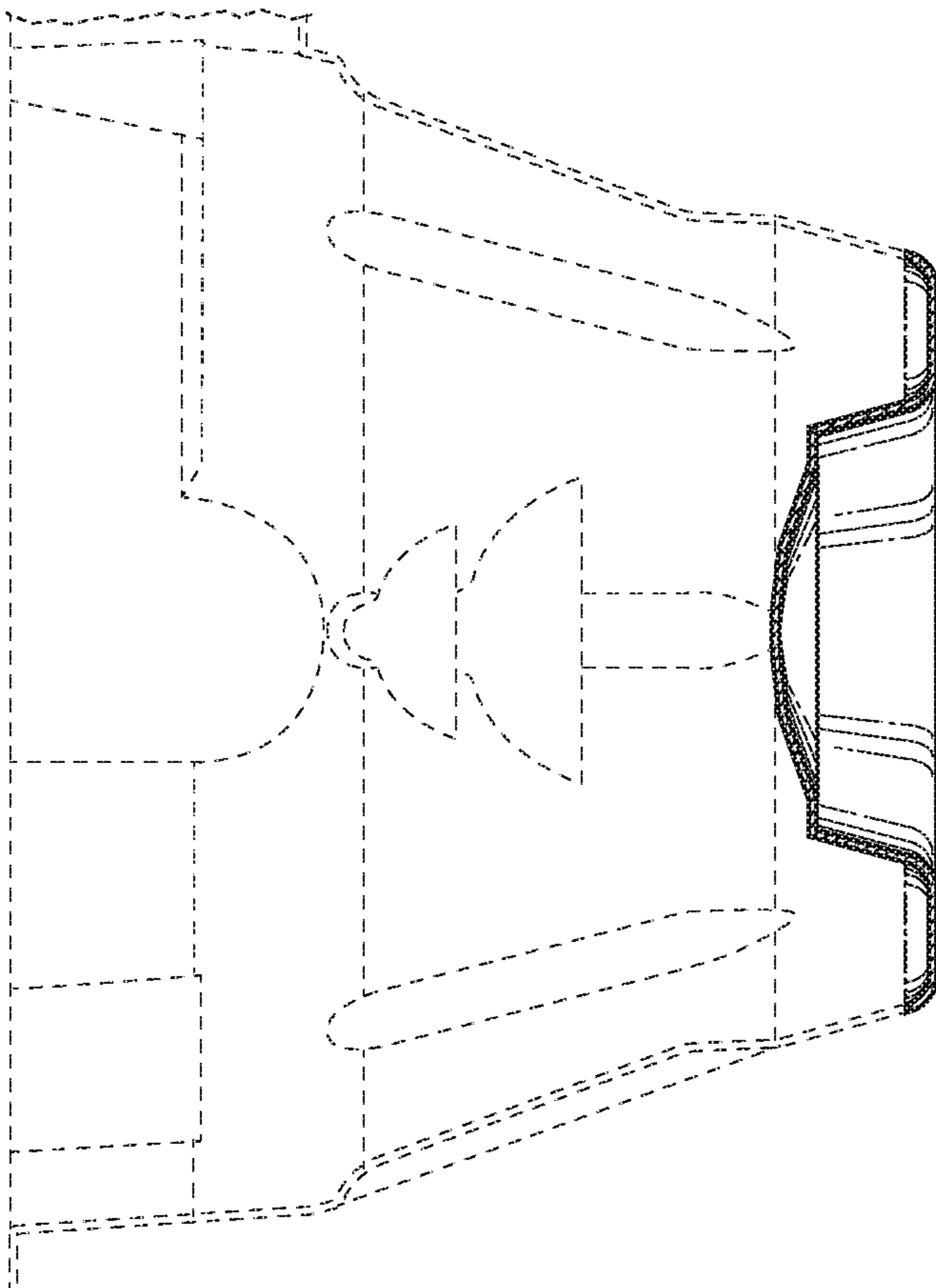


FIG. 9