



US00D877625S

(12) **United States Design Patent** (10) **Patent No.:** **US D877,625 S**
LoPrete et al. (45) **Date of Patent:** **** *Mar. 10, 2020**

(54) **DRUG PACKAGE**
(71) Applicant: **Amicus Therapeutics, Inc.**, Cranbury, NJ (US)
(72) Inventors: **Jeffrey LoPrete**, Cranbury, NJ (US); **Muzammil Mustufa**, Cranbury, NJ (US); **Jayne Gershkowitz**, Cranbury, NJ (US)

D539,166 S 3/2007 Spencer
D540,665 S * 4/2007 Gupta D9/433
D546,198 S 7/2007 Currie
D553,494 S * 10/2007 Dehlin D9/432
D562,153 S * 2/2008 Ruble D9/732
D592,047 S * 5/2009 Glass D9/423
D599,654 S 9/2009 Kosaka
D622,158 S 8/2010 Proulx

(Continued)

FOREIGN PATENT DOCUMENTS

(73) Assignee: **Amicus Therapeutics, Inc.**, Cranbury, NJ (US)

WO 2015/164210 A1 10/2015

(*) Notice: This patent is subject to a terminal disclaimer.

OTHER PUBLICATIONS

(**) Term: **15 Years**

MWV introduces Shellpak Renew with Optilock. [online] Published on Dec. 23, 2014. Retrieved Mar. 8, 2018 from URL: <https://www.businesswire.com/news/home/20130808005877/en/MWV-introduces-Shellpak%C2%AE-Renew-Optilock%E2%84%A2-technology-smallest>.

(21) Appl. No.: **29/605,763**

(Continued)

(22) Filed: **May 30, 2017**

(51) **LOC (12) Cl.** **09-01**

(52) **U.S. Cl.**
USPC **D9/732**

(58) **Field of Classification Search**
USPC D9/414-423, 430-434, 456-457, 711, D9/713, 721-722; D24/100-104
CPC ... B65D 5/00; B65D 5/02; B65D 5/18; B65D 5/20

Primary Examiner — Vy N Koenig

(74) *Attorney, Agent, or Firm* — Servilla Whitney LLC

See application file for complete search history.

(57) **CLAIM**

The ornamental design for a drug package, substantially as shown and described.

(56) **References Cited**

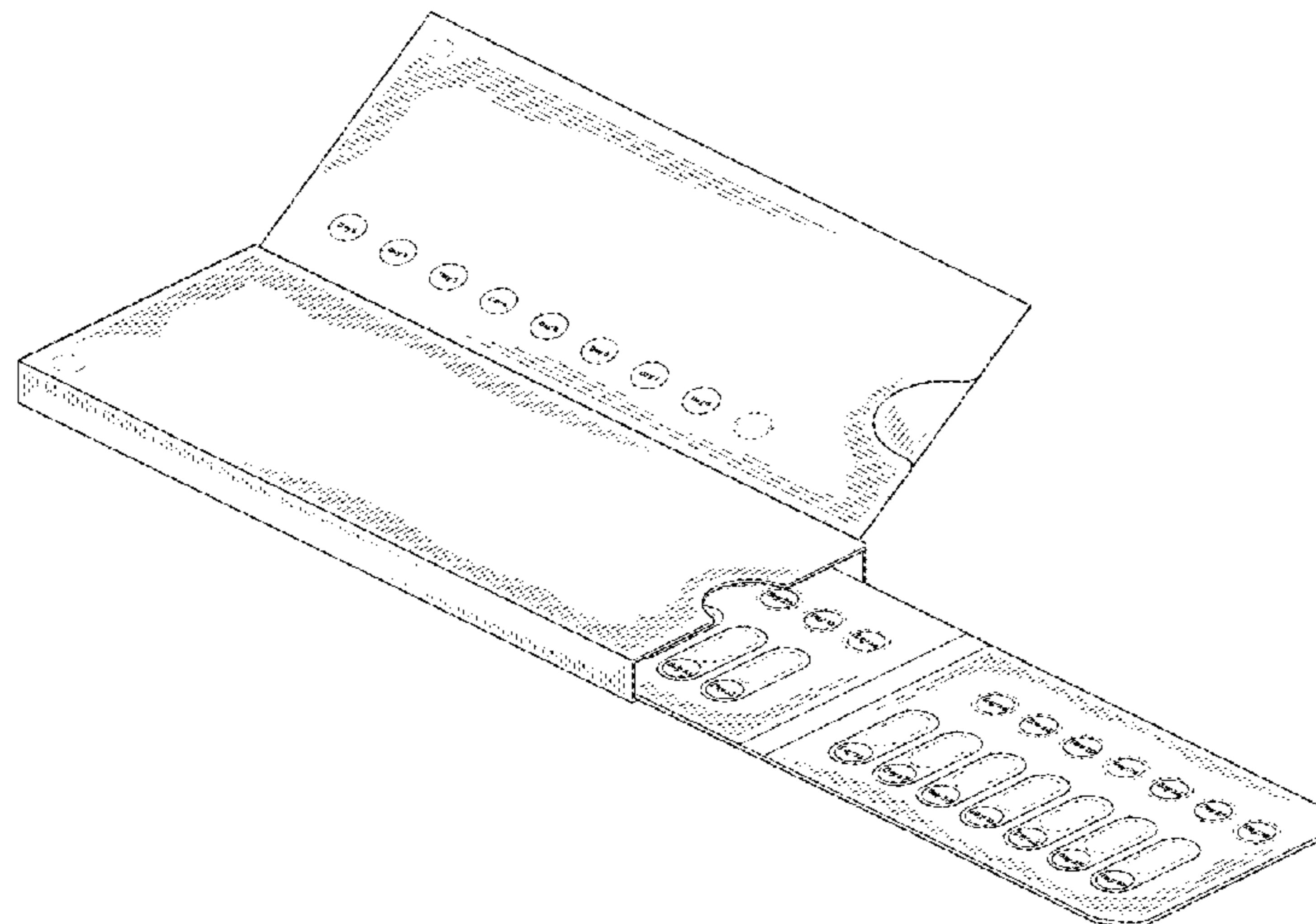
DESCRIPTION

U.S. PATENT DOCUMENTS

D263,559 S 3/1982 Poore
D320,930 S * 10/1991 Richards D9/732
D339,742 S 9/1993 Walchek, Jr.
D441,192 S 5/2001 Park
D455,958 S * 4/2002 Burrus D9/433
D478,810 S 8/2003 Wilson
D505,320 S 5/2005 Gattefosse
D511,465 S * 11/2005 Smith D9/732
D513,981 S * 1/2006 Gibbs D9/433
D521,862 S * 5/2006 Siethoff D9/432
D528,013 S * 9/2006 Hines D9/732

FIG. 1 is a front top right perspective view of a drug package showing our new design;
FIG. 2 is a back top left perspective view thereof;
FIG. 3 is a top view thereof;
FIG. 4 is a bottom view thereof;
FIG. 5 is a front view thereof;
FIG. 6 is a back view thereof;
FIG. 7 is a right view thereof; and,
FIG. 8 is a left view thereof.
The broken lines depict environmental subject matter only and form no part of the claimed design.

1 Claim, 7 Drawing Sheets



(56)

References Cited

U.S. PATENT DOCUMENTS

D658,069 S	4/2012	Boyer	
D702,116 S	4/2014	Buchanan	
D715,634 S *	10/2014	Stevens	D9/414
D723,390 S	3/2015	Eriksson	
D748,978 S *	2/2016	Glass	D9/432
D770,303 S	11/2016	Gelbaum	
D789,196 S *	6/2017	Waters	D9/432
D795,083 S	8/2017	Safiullin	
D806,570 S	1/2018	Gelbaum	
D828,767 S *	9/2018	von Badinski	D9/732

OTHER PUBLICATIONS

“Amicus Therapeutics Announces European Commission Approval for Galafold™ (Migalastat) in Patients with Fabry Disease in European Union”, Amicus Therapeutics Press Release, May 31, 2016, 3 pages.

File History for U.S. Appl. No. 29/585,388, 108 pages.

Galafold 123 mg Packaging in German, May 30, 2016, 2 pages.

Galafold Product Information, May 30, 2016, 45 pages.

NDA 208623 Accelerated Approval Letter and Labeling, Aug. 10, 2018, 40 pages.

* cited by examiner

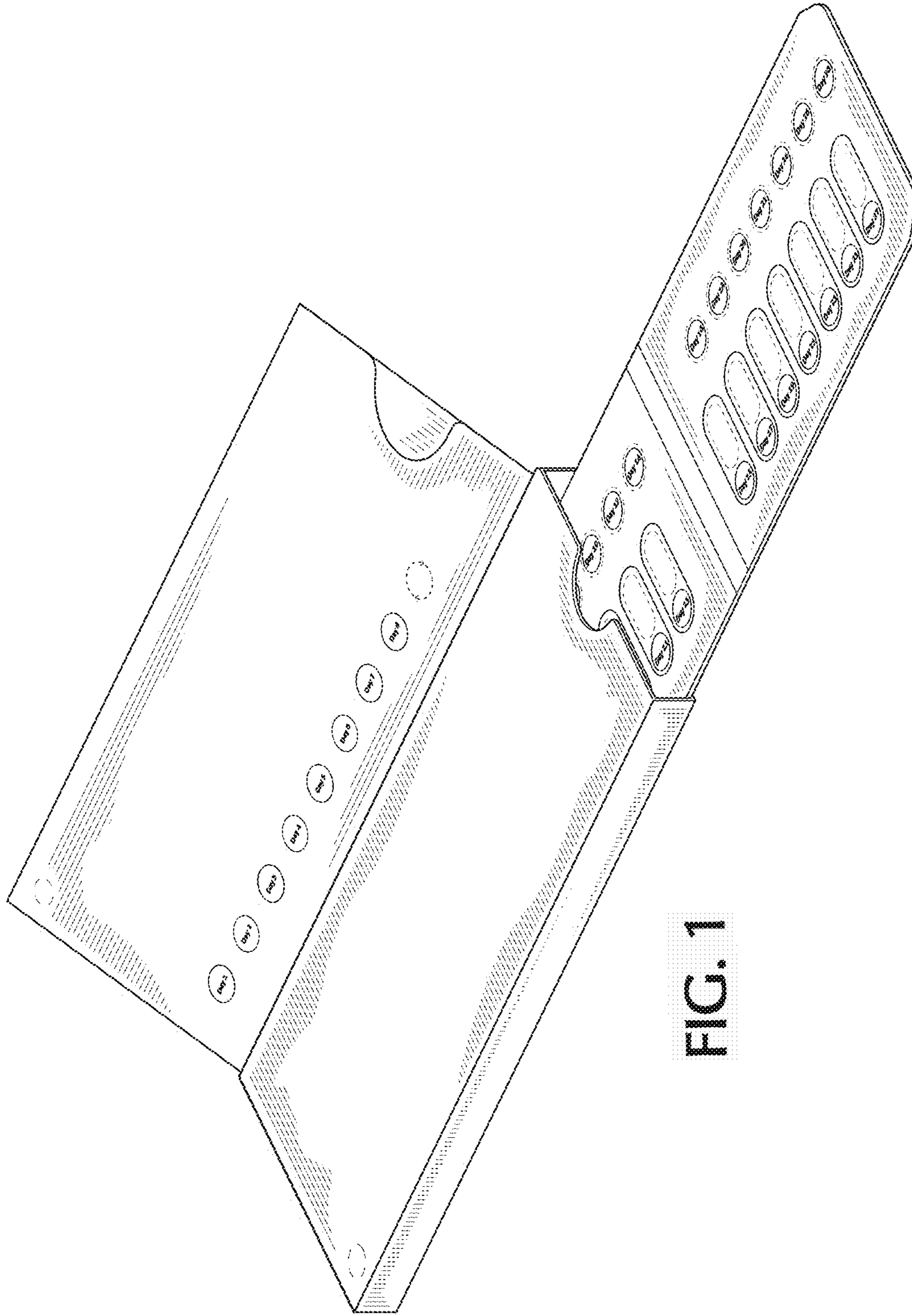


FIG. 1

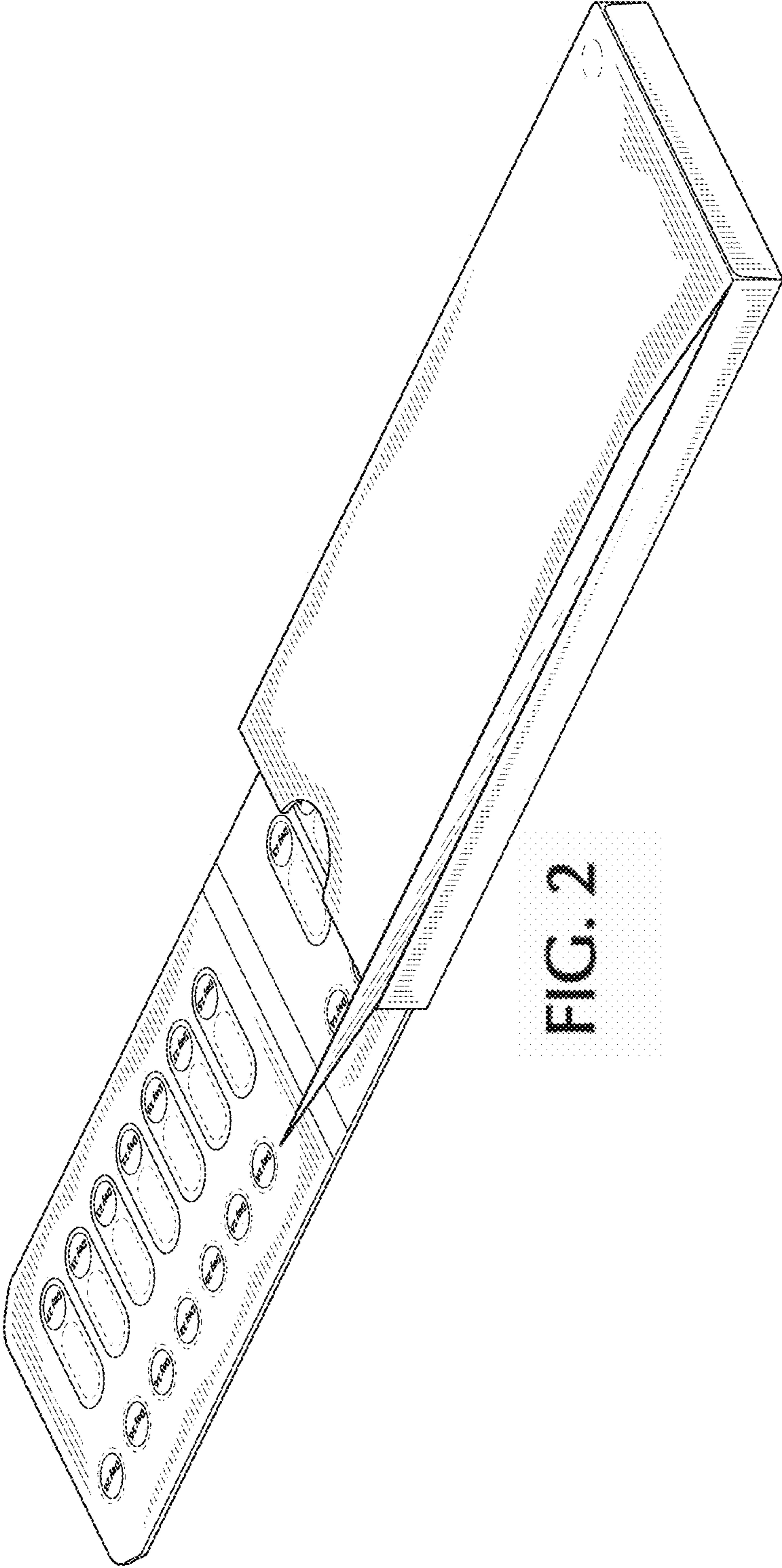


FIG. 2

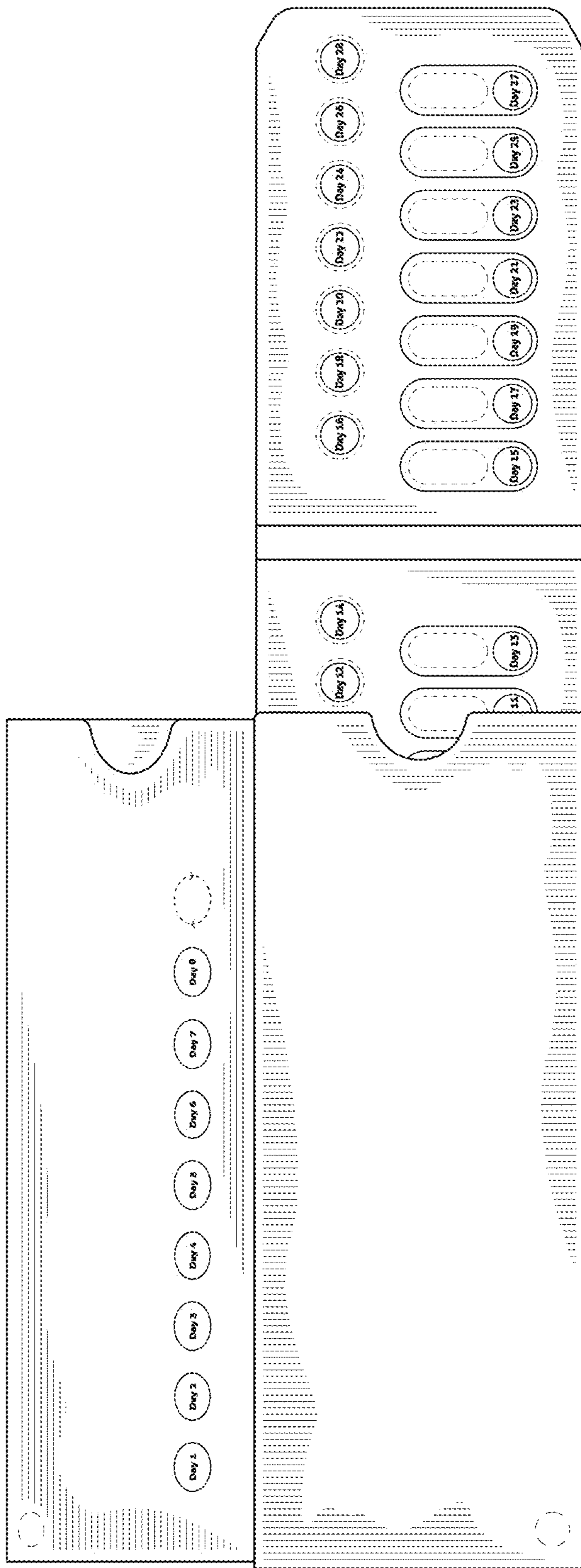


FIG. 3

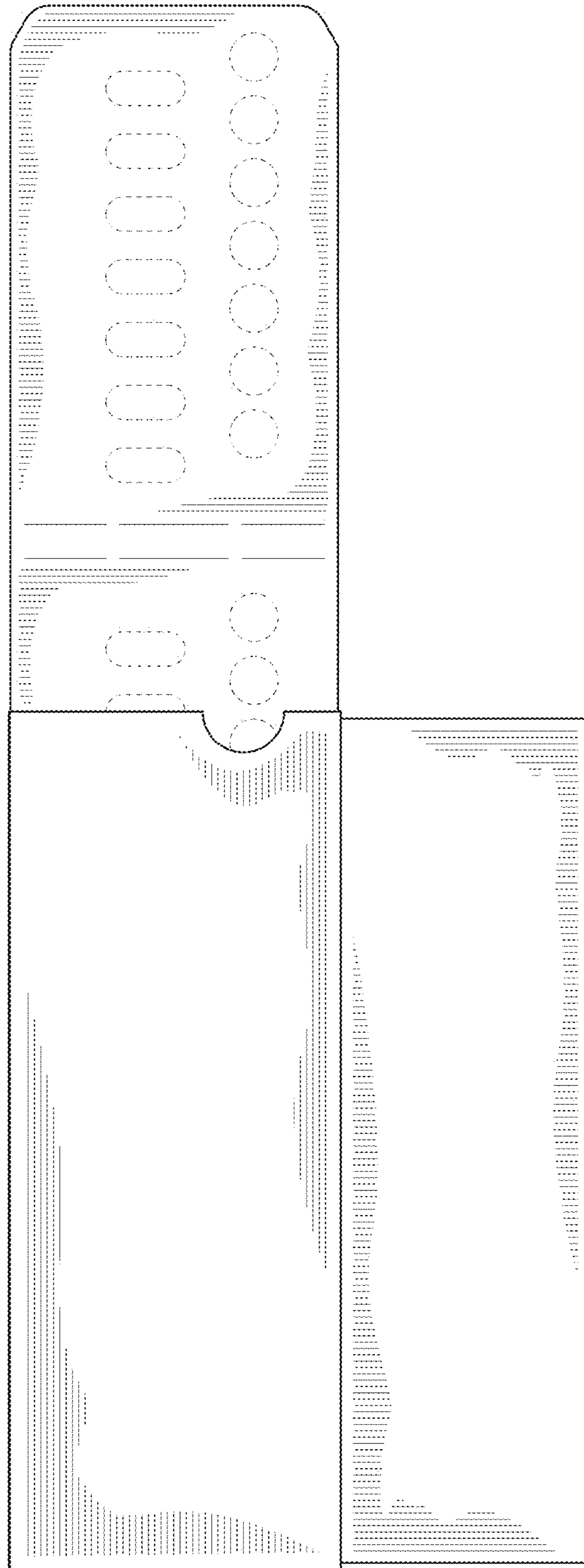


FIG. 4

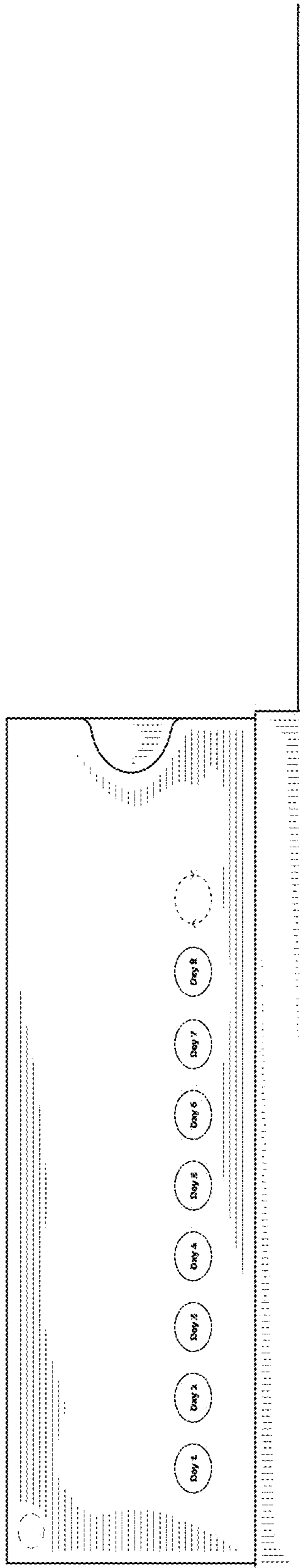


FIG. 5

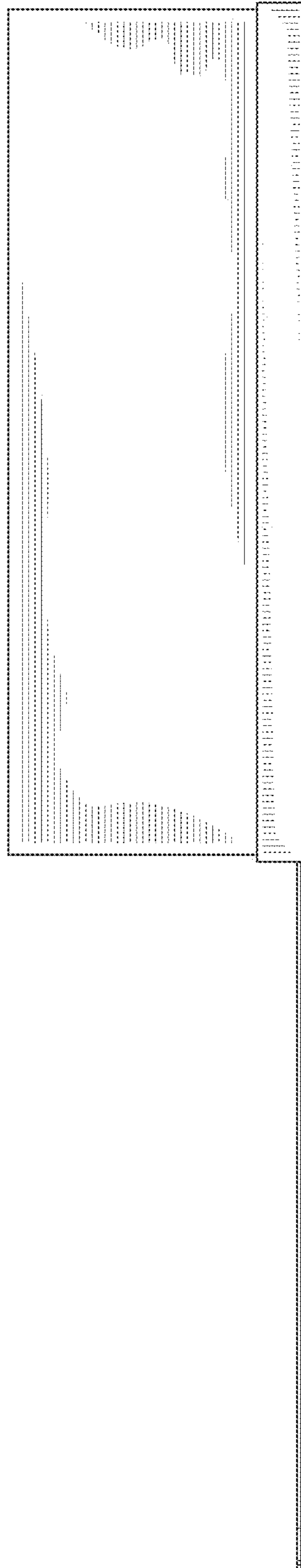


FIG. 6

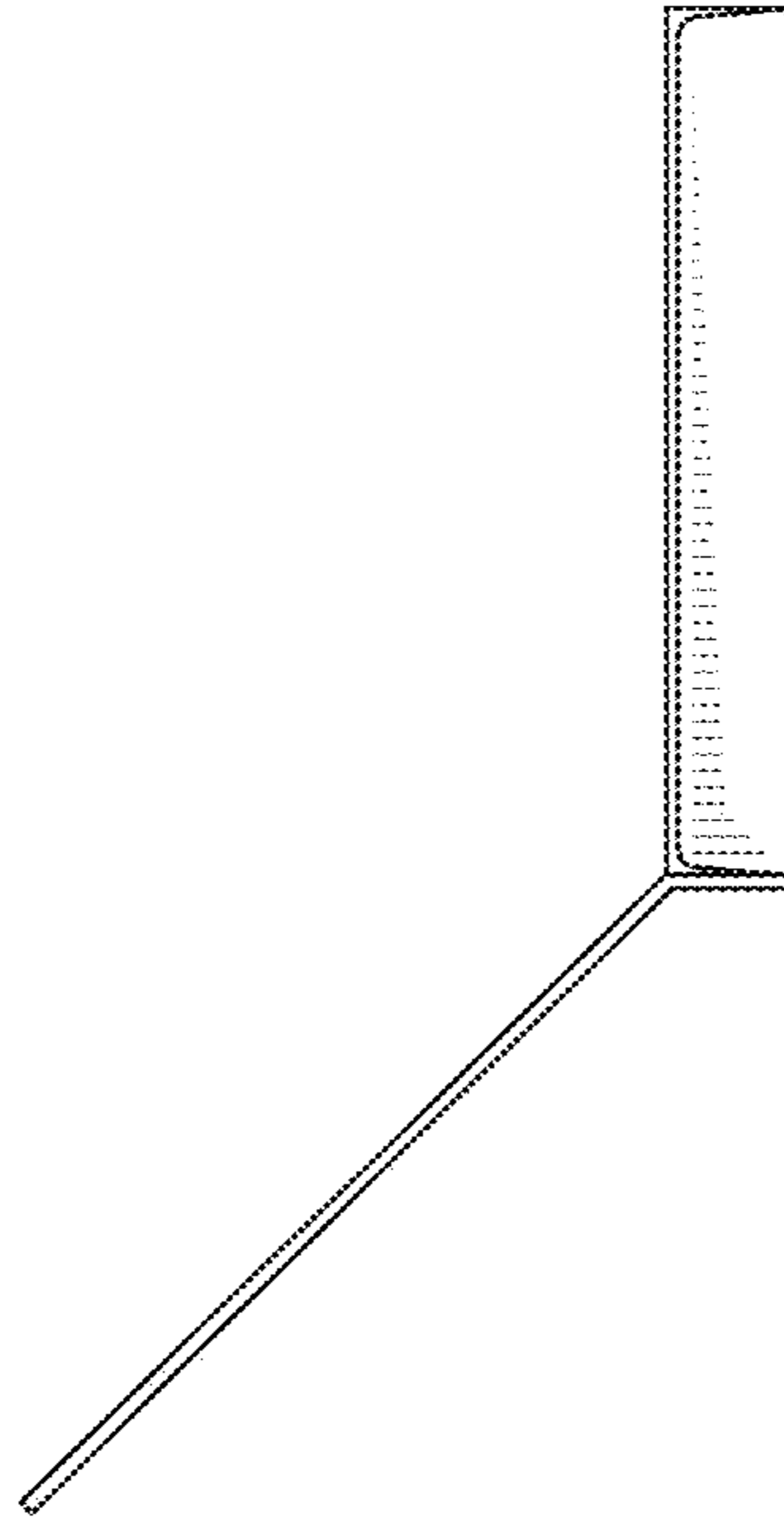


FIG. 7

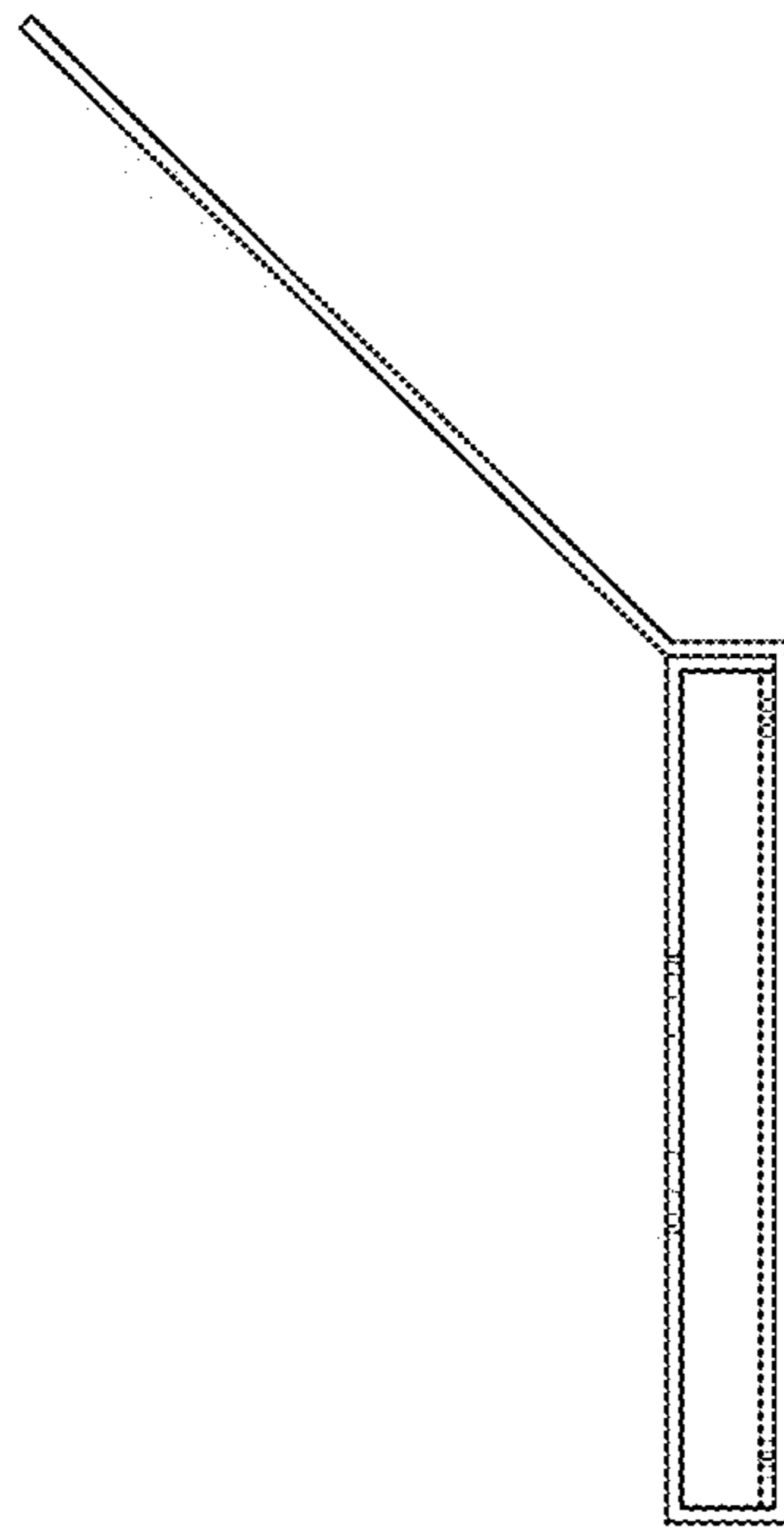


FIG. 8