



US00D877622S

(12) **United States Design Patent** (10) **Patent No.:** **US D877,622 S**
Wu (45) **Date of Patent:** **** Mar. 10, 2020**

(54) **BOTTLE**
(71) Applicant: **Xiaodan Wu**, Nanchang (CN)
(72) Inventor: **Xiaodan Wu**, Nanchang (CN)
(**) Term: **15 Years**
(21) Appl. No.: **29/702,630**
(22) Filed: **Aug. 21, 2019**
(51) **LOC (12) Cl.** **09-01**
(52) **U.S. Cl.**
USPC **D9/643; D9/519**
(58) **Field of Classification Search**
USPC D9/600, 643-647, 500-503, 519, 521,
D9/545, 549; 206/457, 494, 459.5, 527,
206/540; 215/381-384, 400;
D7/514-520, 539, 544, 571, 594, 599,
D7/604, 613, 619.2, 623, 625, 628-630,
D7/391-392.1; D3/202, 270-271.8
CPC B65D 67/00; B65D 81/36; B65D 81/60;
B65D 81/368; B65D 37/00; B65D 5/42;
B65D 5/4208; B65D 77/00; A63H 33/10;
A63H 33/16
See application file for complete search history.

D523,750 S * 6/2006 Lee D9/549
D547,189 S * 7/2007 Legros D9/521
D597,848 S * 8/2009 Petzold D9/545
D697,811 S 1/2014 Goodman et al.
D721,975 S * 2/2015 Arefieg D9/643
D729,626 S * 5/2015 Hall D9/519
D805,396 S * 12/2017 Miyasako A45D 34/02
D9/643
D852,055 S 6/2019 Dubois
D856,155 S * 8/2019 Park D9/643

OTHER PUBLICATIONS

Bottled water design with an environmental cause, <https://www.eco-chic-design.com/2009/11/bottled-water-design-with-an-environmental-cause.html>.
A Stylish Doughnut-Shaped Flask, <https://drinkassa.com/collections/products/products/doughnut-shaped-hip-flask-10oz>.

* cited by examiner

Primary Examiner — Sandra L Morris
(74) *Attorney, Agent, or Firm* — Wayne V. Harper

(57) **CLAIM**

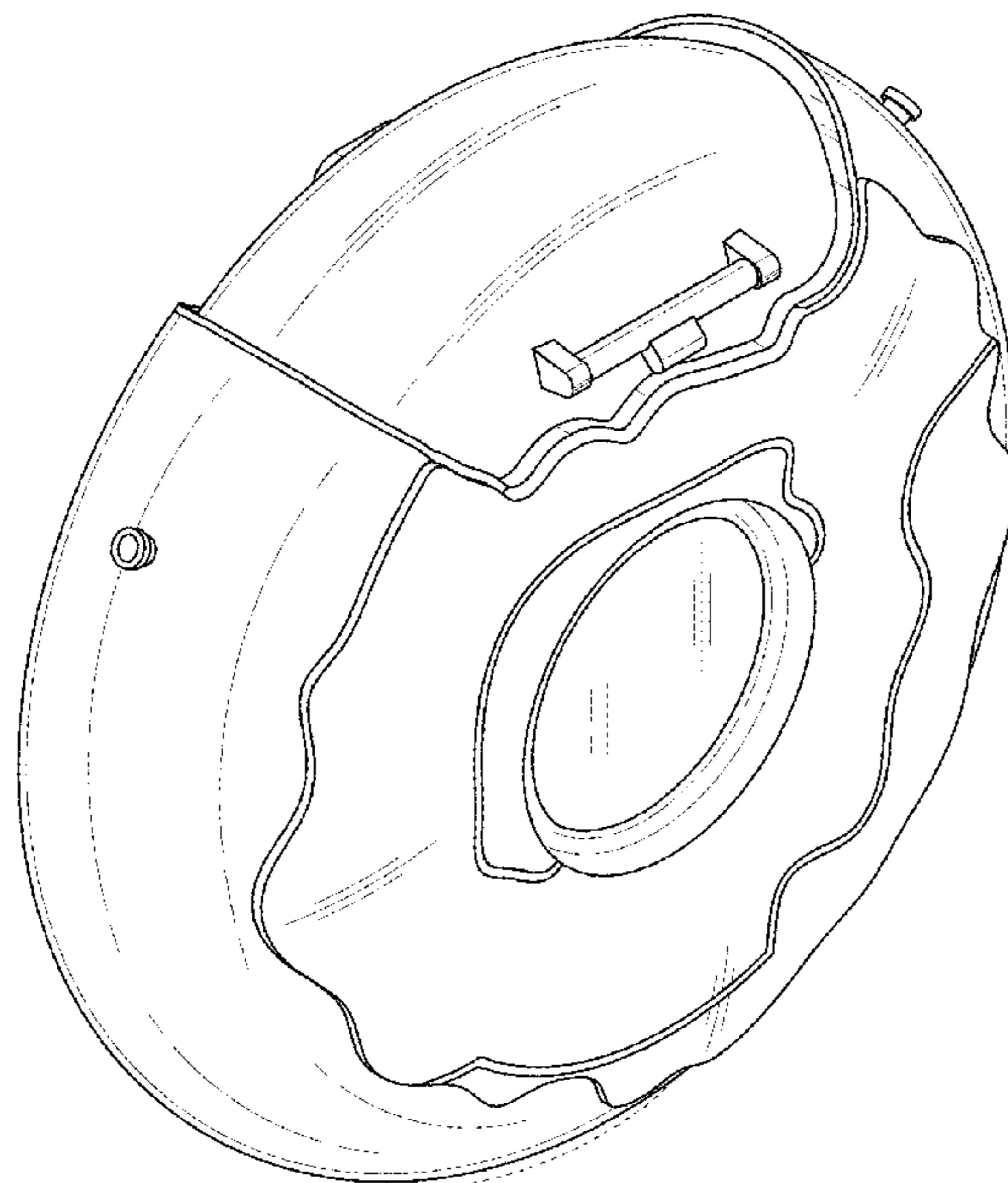
The ornamental design for a bottle, as shown and described.

DESCRIPTION

FIG. 1 is a Perspective view of a bottle showing my new design;
FIG. 2 is a Front view of the bottle as shown in FIG. 1;
FIG. 3 is a Back view of the bottle as shown in FIG. 1;
FIG. 4 is a Left-side view of the bottle as shown in FIG. 1;
FIG. 5 is a Right-side view of the bottle as shown in FIG. 1;
FIG. 6 is a Top view of the bottle as shown in FIG. 1; and,
FIG. 7 is a Bottom view of the bottle as shown in FIG. 1.
The broken lines are only for environmental purposes and form no part of the claimed design.

1 Claim, 7 Drawing Sheets

(56) **References Cited**
U.S. PATENT DOCUMENTS
D129,514 S * 9/1941 Parkinson D9/545
2,625,292 A * 1/1953 Spender A45D 34/02
D9/521
D301,307 S * 5/1989 Pakzad D9/545
D316,814 S * 5/1991 Duffy D3/202
D329,326 S * 9/1992 Sheehy D3/202
D433,634 S * 11/2000 Nicolas D9/521
D445,309 S * 7/2001 Menow D9/643
D471,799 S * 3/2003 Davis D9/643
D495,207 S * 8/2004 Since D7/515



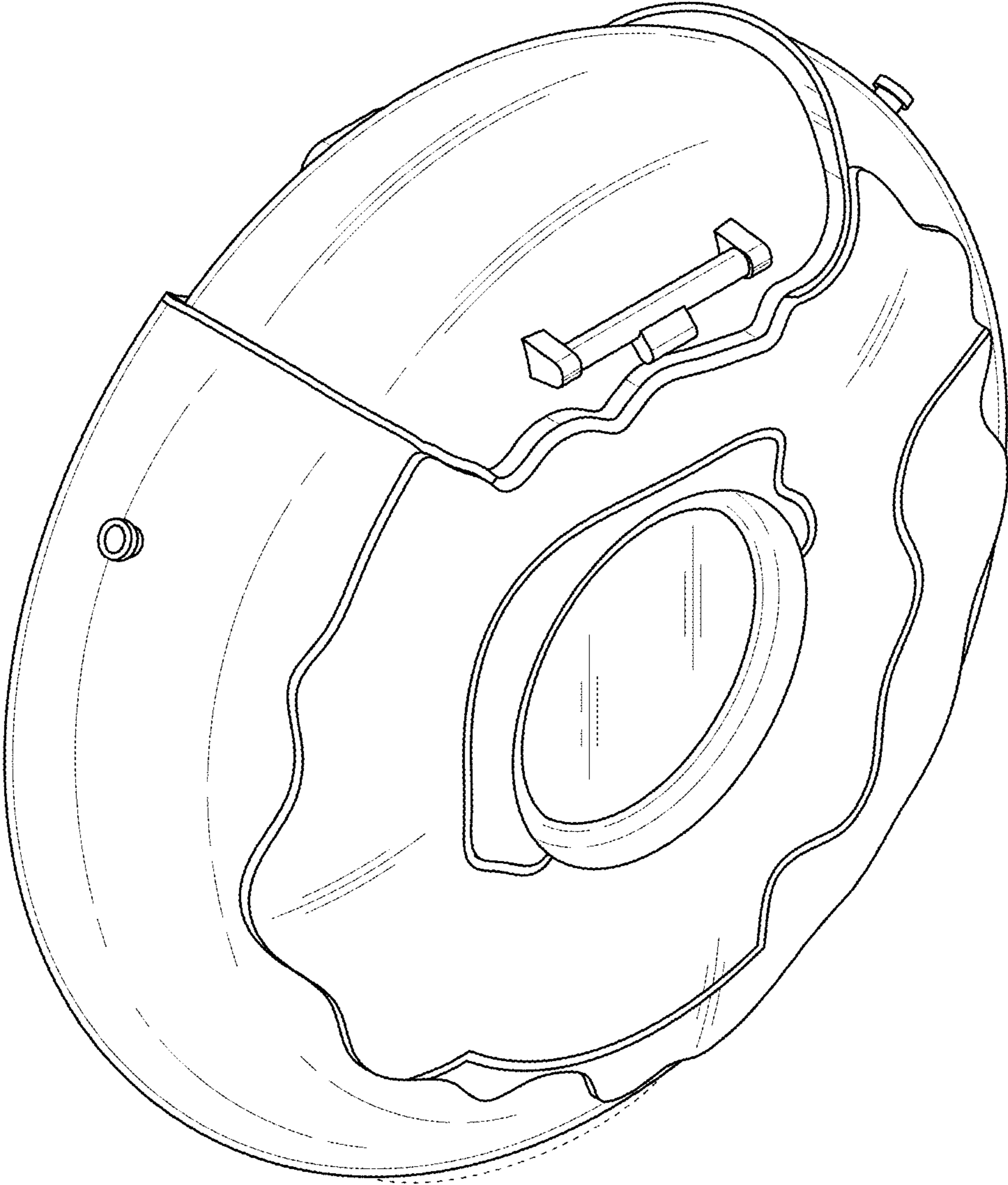


FIG. 1

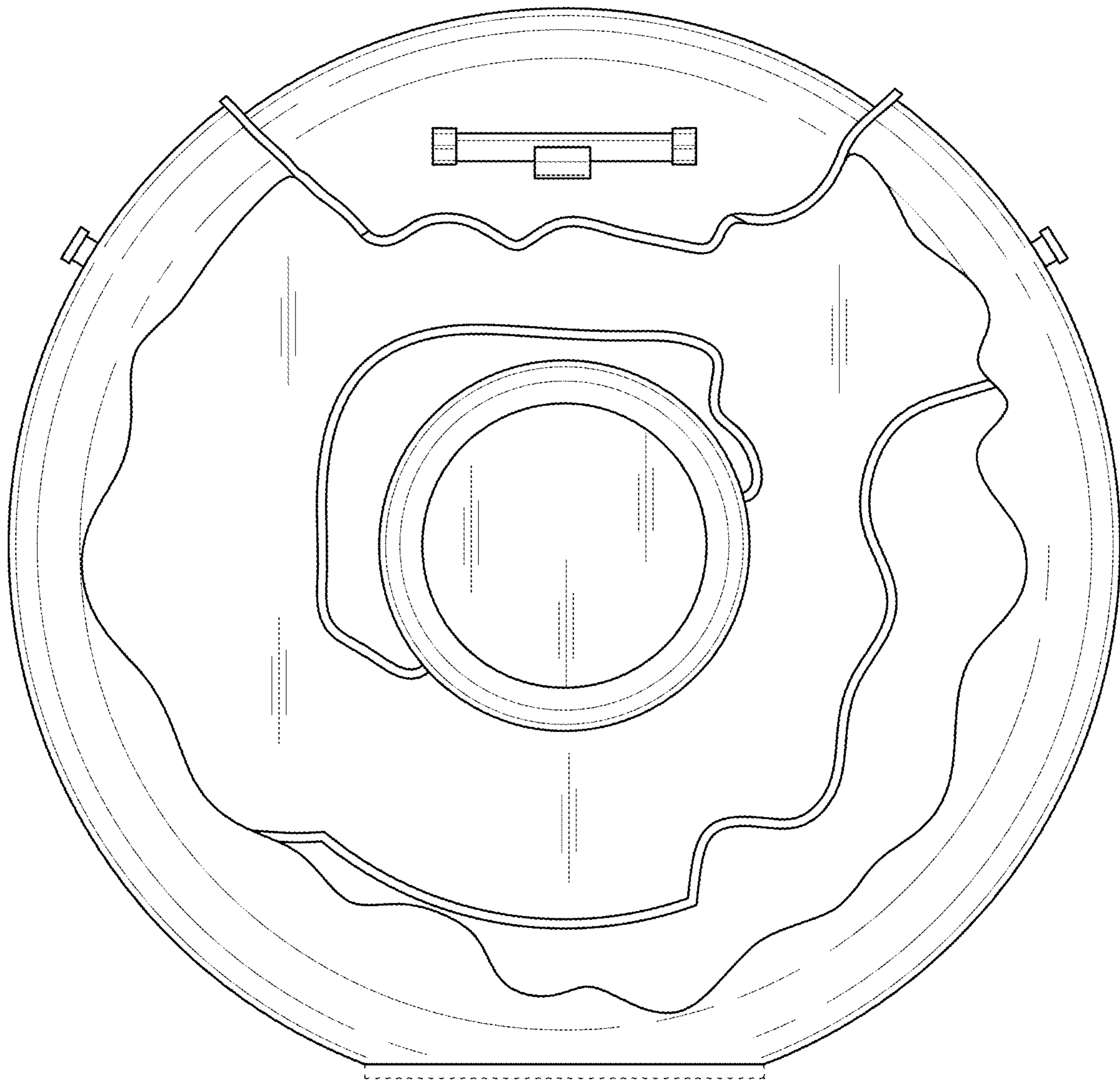


FIG. 2

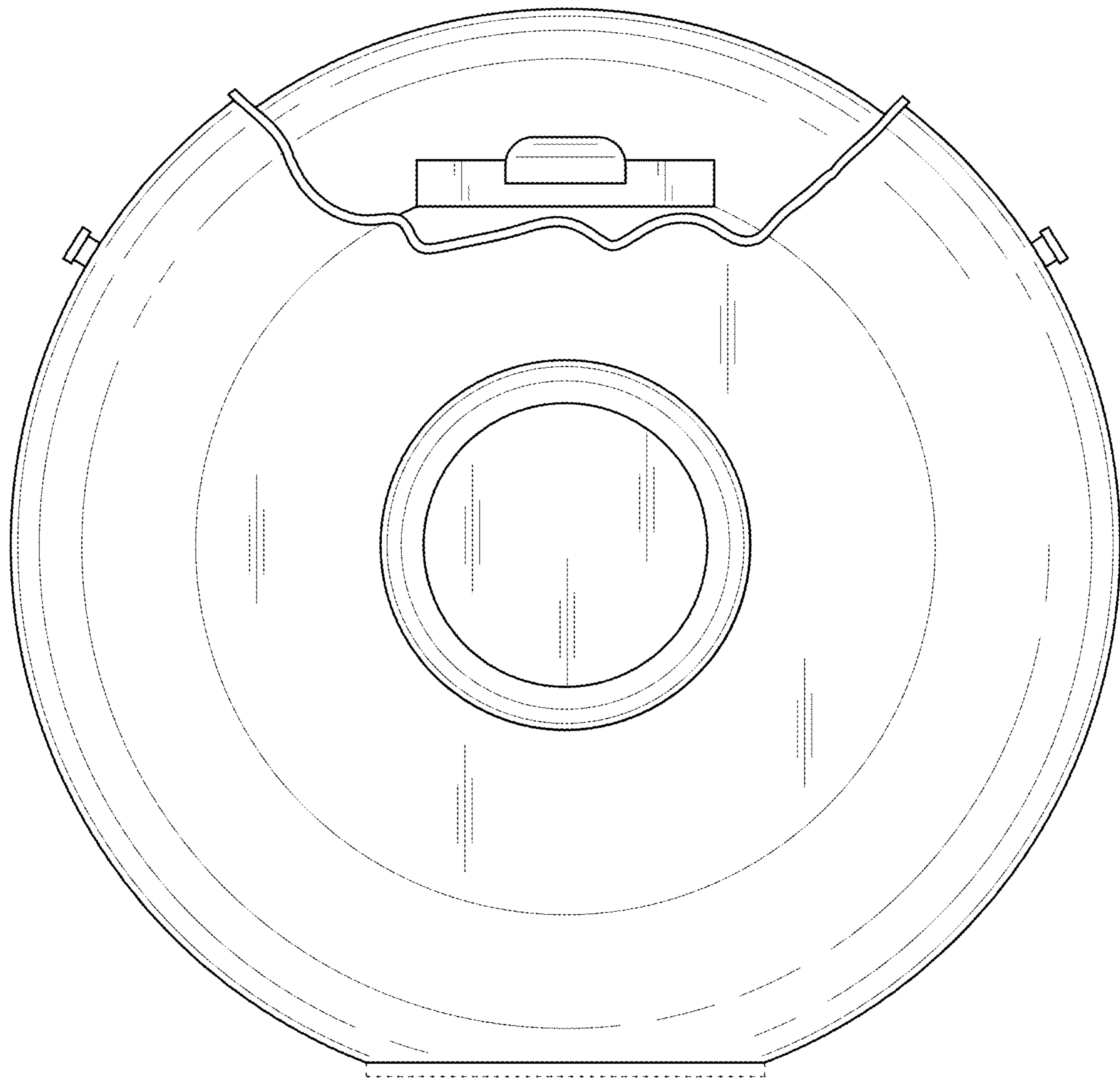


FIG. 3

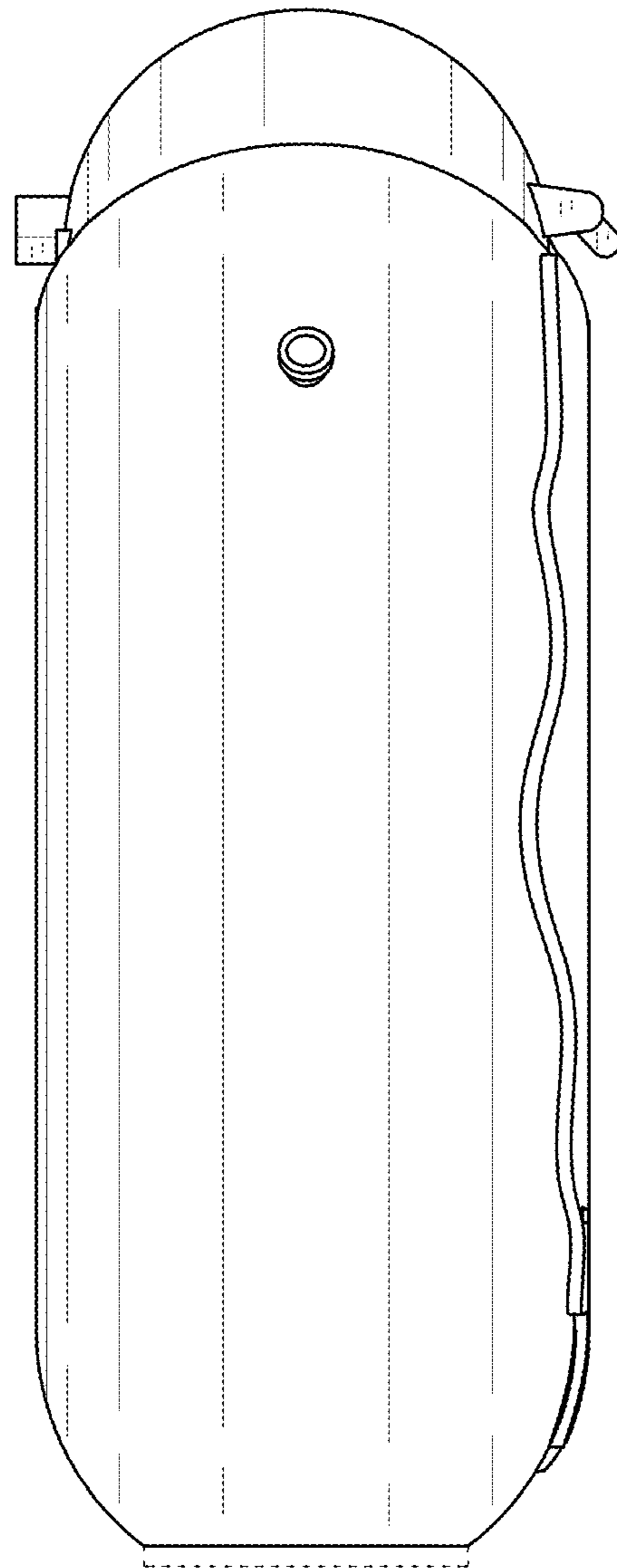


FIG. 4

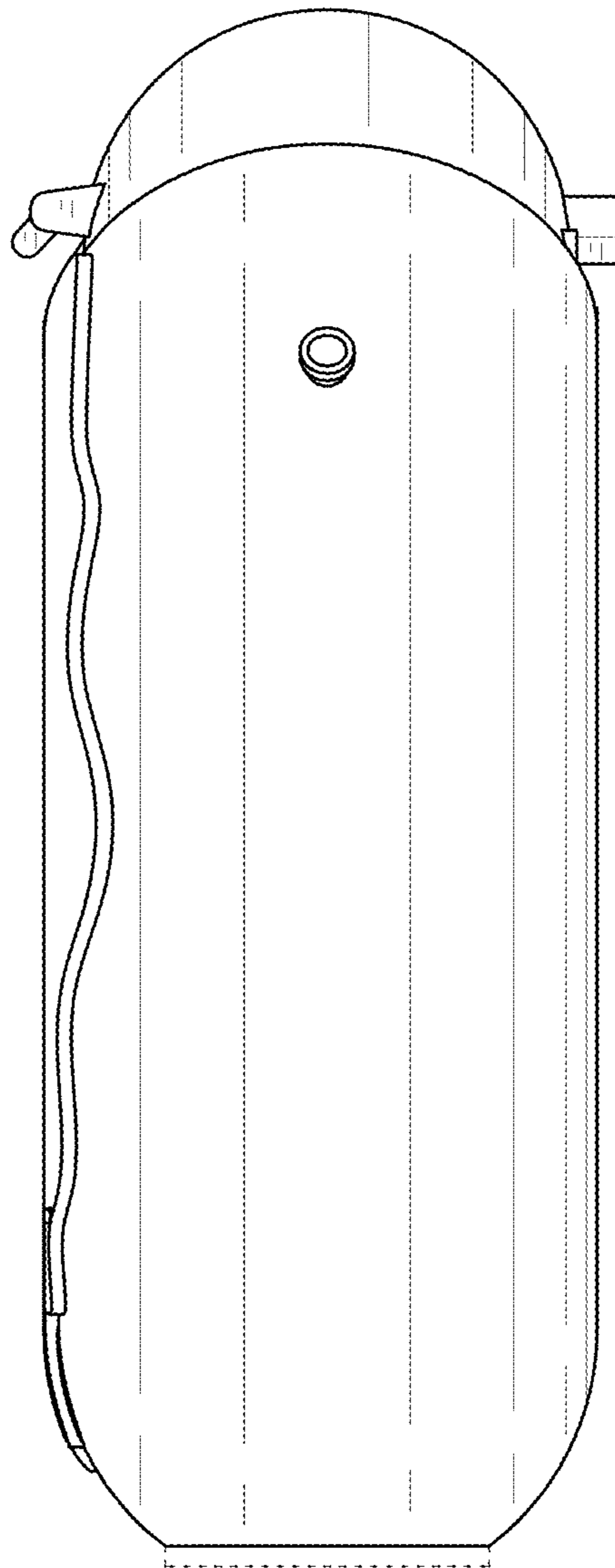


FIG. 5

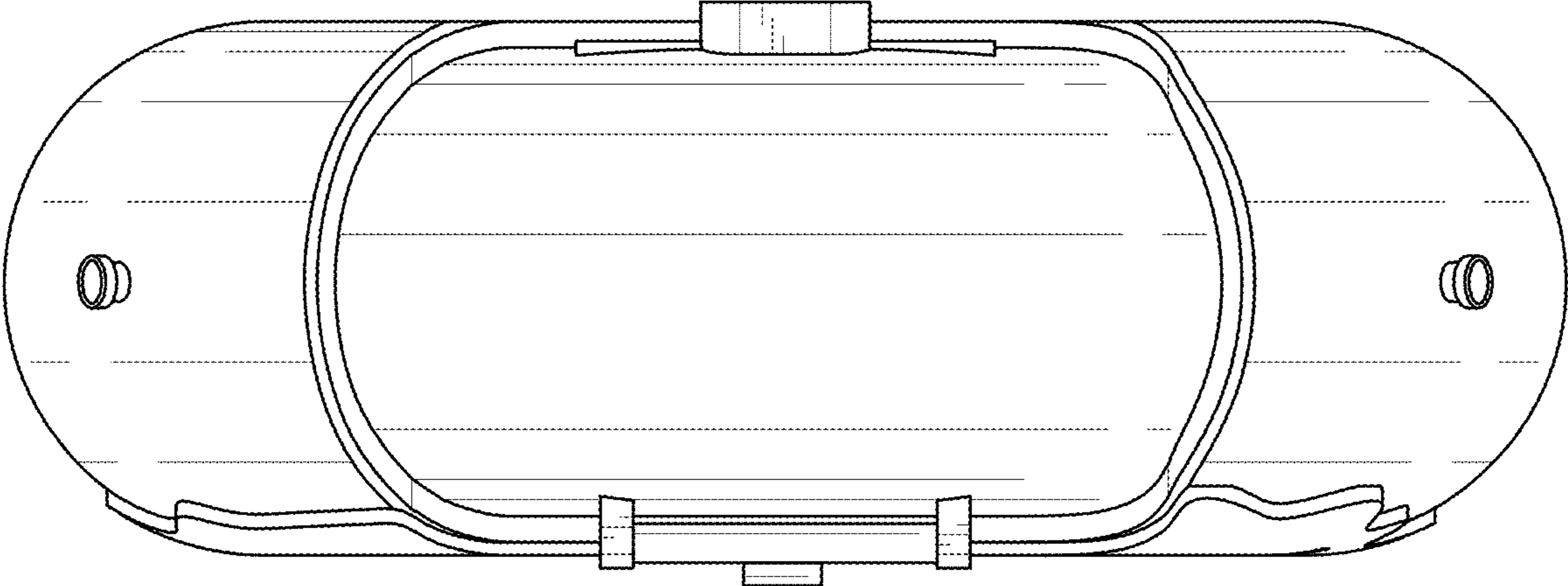


FIG. 6

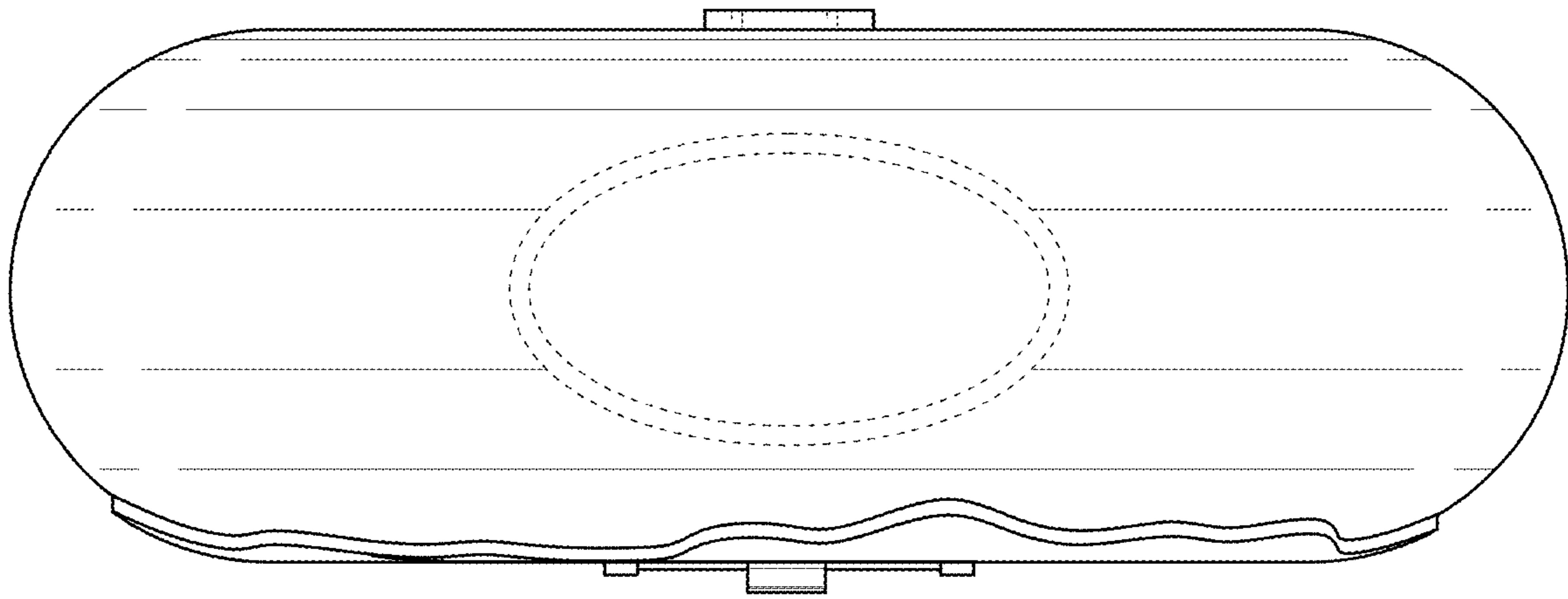


FIG. 7