



US00D877620S

(12) **United States Design Patent**
Huls et al.

(10) **Patent No.:** **US D877,620 S**
(45) **Date of Patent:** **** Mar. 10, 2020**

(54) **BOTTLE**

FOREIGN PATENT DOCUMENTS

(71) Applicant: **PepsiCo, Inc.**, Purchase, NY (US)
(72) Inventors: **Sean Joseph Huls**, Chicago, IL (US);
Michael Andrew Lohmeier, Chicago, IL (US); **Toby Richard David Wingfield**, Crystal Lake, IL (US); **Lori Evans Bartman**, Sylvania, OH (US); **Robert Jon Groll**, Oregon, OH (US); **John Lester Ostby**, Seattle, WA (US); **Matthew Schmunk**, Portland, OR (US)

EM 002043356-0002 5/2012
JP D1285255 11/2006

(Continued)

OTHER PUBLICATIONS

“Powerade Ice Blast 500ml 12'li.” toptanservis.com. Date not available. Reportedly accessed by the USPTO Apr. 25, 2017. Available online at URL: <<http://toptanservis.com/powerade-ice-blast>>.

(Continued)

(73) Assignee: **PepsiCo, Inc.**, Purchase, NY (US)

(**) Term: **15 Years**

Primary Examiner — Cathron C Brooks

Assistant Examiner — Christian P. McLean

(21) Appl. No.: **29/671,621**

(74) *Attorney, Agent, or Firm* — Sterne, Kessler, Goldstein & Fox P.L.L.C.

(22) Filed: **Nov. 28, 2018**

(57) **CLAIM**

Related U.S. Application Data

The ornamental design for a bottle, as shown and described.

(63) Continuation of application No. 29/607,711, filed on Jun. 15, 2017, now Pat. No. Des. 835,994, which is a (Continued)

DESCRIPTION

(51) **LOC (12) Cl.** **09-01**

FIG. 1 is a top front perspective view of a bottle showing the claimed design;

(52) **U.S. Cl.**

FIG. 2 is a bottom rear perspective view thereof;

USPC **D9/553**

FIG. 3 is a front view thereof;

(58) **Field of Classification Search**

FIG. 4 is a rear view thereof;

USPC D7/300–322, 391–396.2, 509–511, 523, D7/589, 598, 612, 615, 619.1; D9/435, (Continued)

FIG. 5 is a left side view thereof;

FIG. 6 is a right side view thereof;

(56) **References Cited**

FIG. 7 is a top view thereof; and,

FIG. 8 is a bottom view thereof.

U.S. PATENT DOCUMENTS

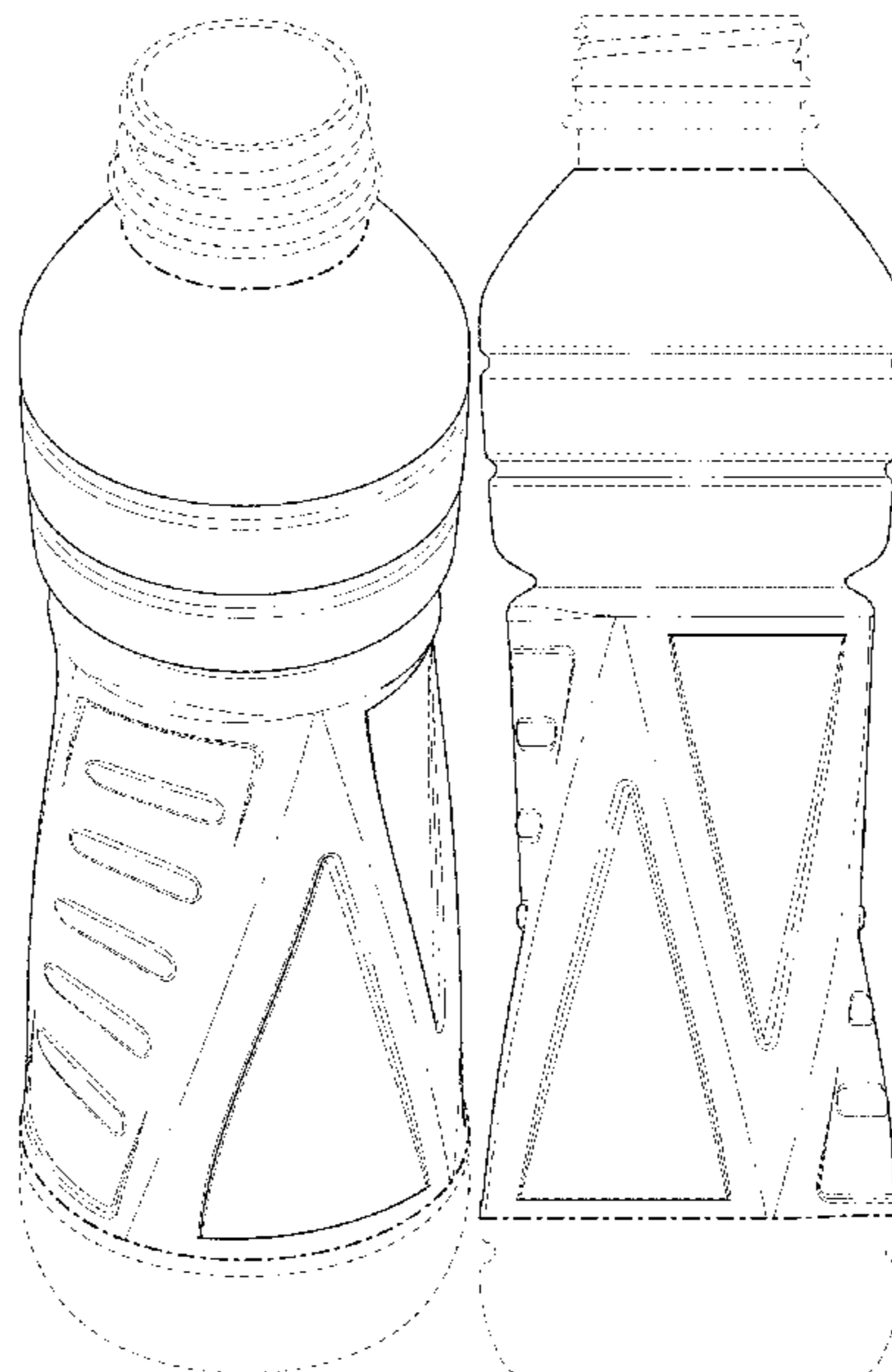
The dashed broken lines in the figures show portions of the bottle that form no part of the claimed design.

The dot-dash broken lines in the figures show boundaries that form no part of the claimed design.

D240,593 S 7/1976 Koenigsberg
D295,381 S 4/1988 Papa

(Continued)

1 Claim, 4 Drawing Sheets



Related U.S. Application Data

continuation of application No. 29/549,534, filed on Dec. 22, 2015, now Pat. No. Des. 792,777.

(58) **Field of Classification Search**

USPC D9/436, 439, 440, 443, 447, 454, 500, D9/503–505, 516–575, 763–783; 215/40–55, 316–354, 370–385; 220/574–575; D4/116; D6/515, 516, D6/542–545; D28/7, 57, 73, 76–91.1
CPC B65D 1/00; B65D 1/02; B65D 1/0223; B65D 1/023; B65D 1/0276

See application file for complete search history.

(56) **References Cited**

U.S. PATENT DOCUMENTS

4,818,575 A 4/1989 Hirata
4,877,141 A 10/1989 Hayashi et al.
D308,482 S 6/1990 Wild
5,310,068 A 5/1994 Saghri
D426,460 S 6/2000 Krishnakumar et al.
D439,167 S 3/2001 Lichtman et al.
D441,658 S 5/2001 Lichtman et al.
D447,956 S 9/2001 Bretz et al.
D448,673 S 10/2001 Bretz et al.
D454,790 S 3/2002 Crawford
D488,722 S 4/2004 Evans et al.
D488,723 S 4/2004 Evans et al.
D506,679 S 6/2005 Bretz et al.
D507,490 S 7/2005 Mero et al.
D522,870 S 6/2006 Venkataraman
7,178,684 B1 * 2/2007 Budden B65D 1/0223
215/381
D546,691 S 7/2007 Lepoitevin
D570,223 S 6/2008 White
D572,599 S 7/2008 Melrose
D584,630 S 1/2009 Darr et al.
D589,817 S 4/2009 Shmagin
D600,126 S 9/2009 Lepoitevin
D602,788 S 10/2009 Priore et al.
D611,828 S 3/2010 Lepoitevin
D614,653 S 4/2010 Arnell
D630,105 S 1/2011 Bourne

D644,111 S 8/2011 Williams et al.
D651,091 S 12/2011 Boukobza
D698,659 S 2/2014 Bronstein
D705,071 S 5/2014 Abend et al.
8,813,996 B2 8/2014 Steih et al.
8,881,922 B2 11/2014 Schlies et al.
D758,199 S 6/2016 Mody
D770,288 S 11/2016 Verdura et al.
D787,939 S 5/2017 Lam
D792,777 S 7/2017 Huls et al.
D793,237 S 8/2017 Vitale Rotta
9,862,518 B2 * 1/2018 Gill B65D 1/0223
D835,994 S * 12/2018 Huls D9/553
10,315,826 B2 * 6/2019 Caboni B65D 1/0223
10,336,524 B2 * 7/2019 Lohmeier B65D 79/005
D858,294 S * 9/2019 Boiros D9/550
10,427,853 B2 * 10/2019 Maquita Nakano
B65D 79/005
2003/0015491 A1 1/2003 Melrose et al.
2006/0186082 A1 * 8/2006 Gatewood B65D 1/0223
215/381
2006/0289378 A1 12/2006 Zhang
2007/0075032 A1 * 4/2007 Kelley B65D 1/0223
215/384
2009/0184127 A1 7/2009 Mooney
2010/0032405 A1 2/2010 Ozawa et al.
2014/0346135 A1 11/2014 Melrose
2016/0221739 A1 8/2016 Caboni et al.
2017/0073137 A1 3/2017 Maquita Nakano et al.
2017/0225863 A1 8/2017 Lohmeier et al.

FOREIGN PATENT DOCUMENTS

JP D1285601 11/2006
KR 30-0400822 11/2005

OTHER PUBLICATIONS

Livesey, Cindy. "Awesome New \$1/2 Powerade 32 oz Bottle Couple+ Deal!" livingrichwithcoupons.com. May 2, 2012. Accessed Jul. 18, 2018. Available online at URL: <<https://www.livingrichwithcoupons.com/2012/05/awesome-new-12-powerade-32-oz-bottle-coupon-deal.html>>.

* cited by examiner

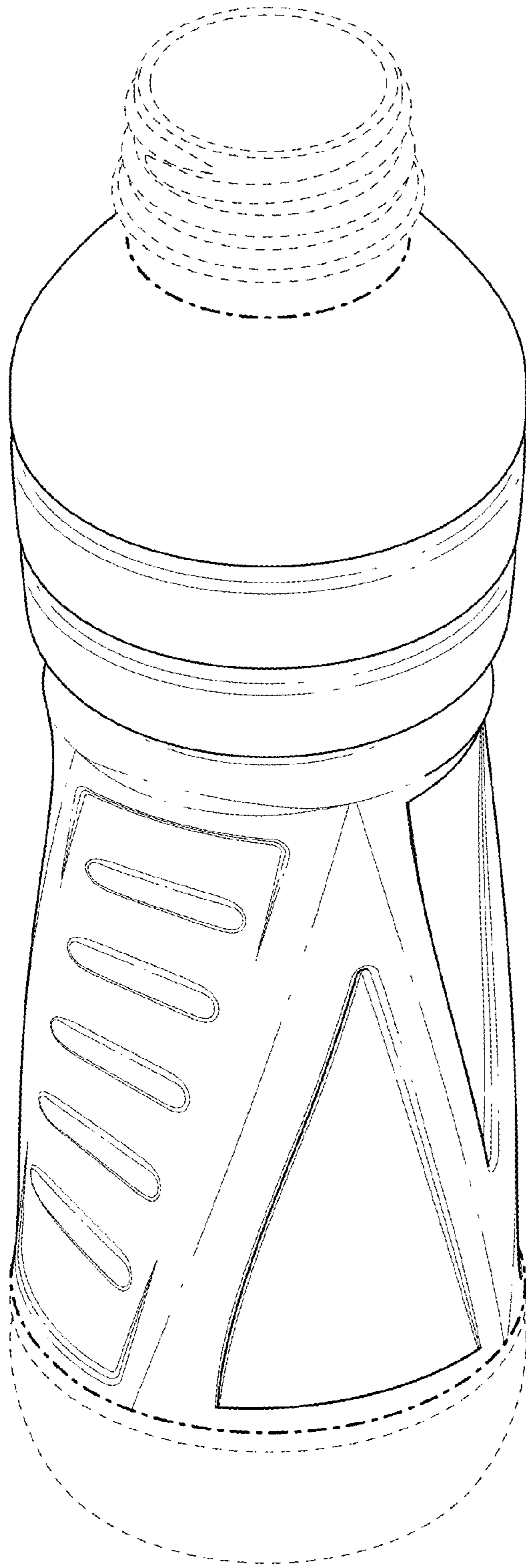


FIG. 1

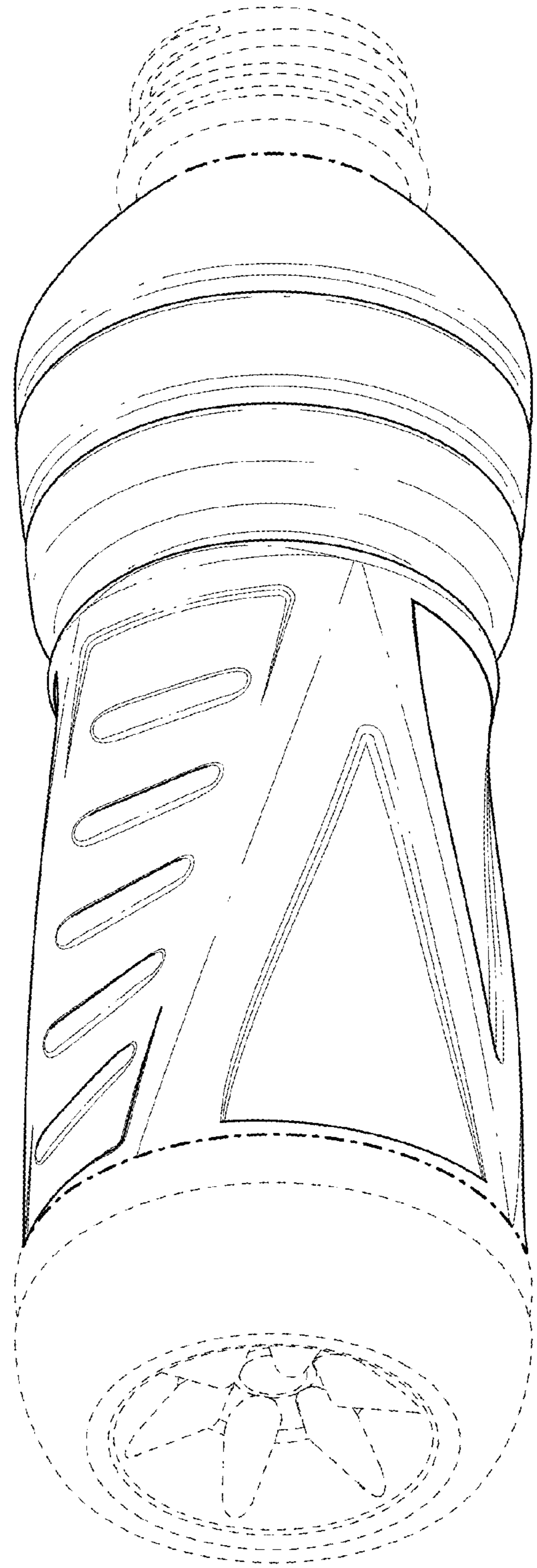


FIG. 2

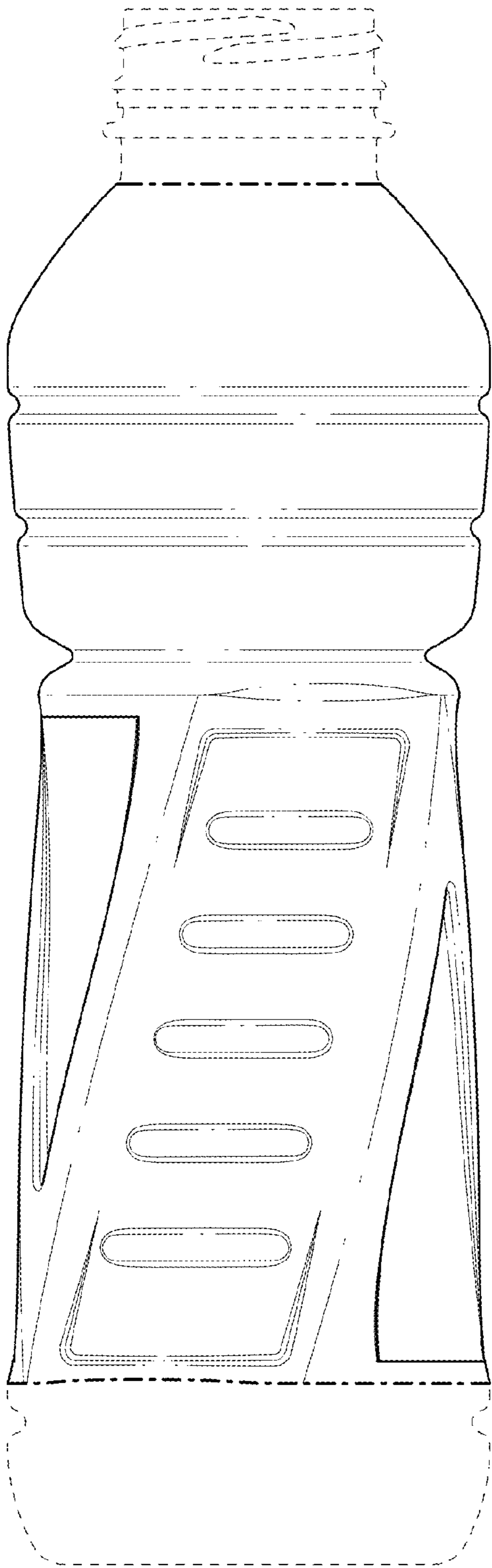


FIG. 3

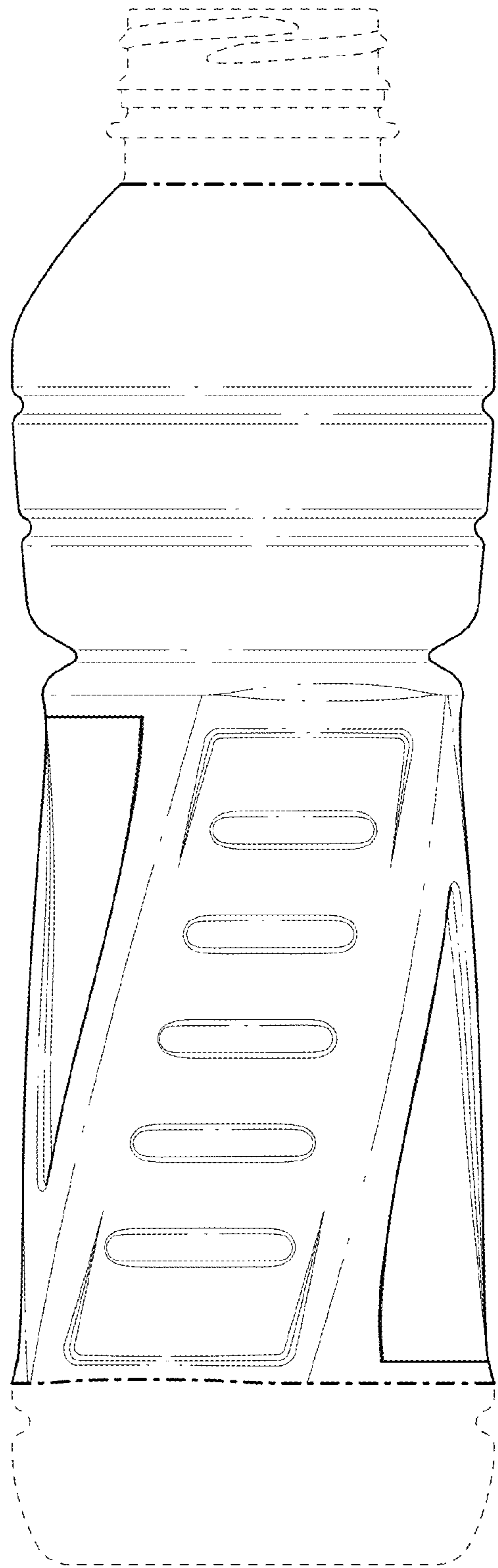


FIG. 4

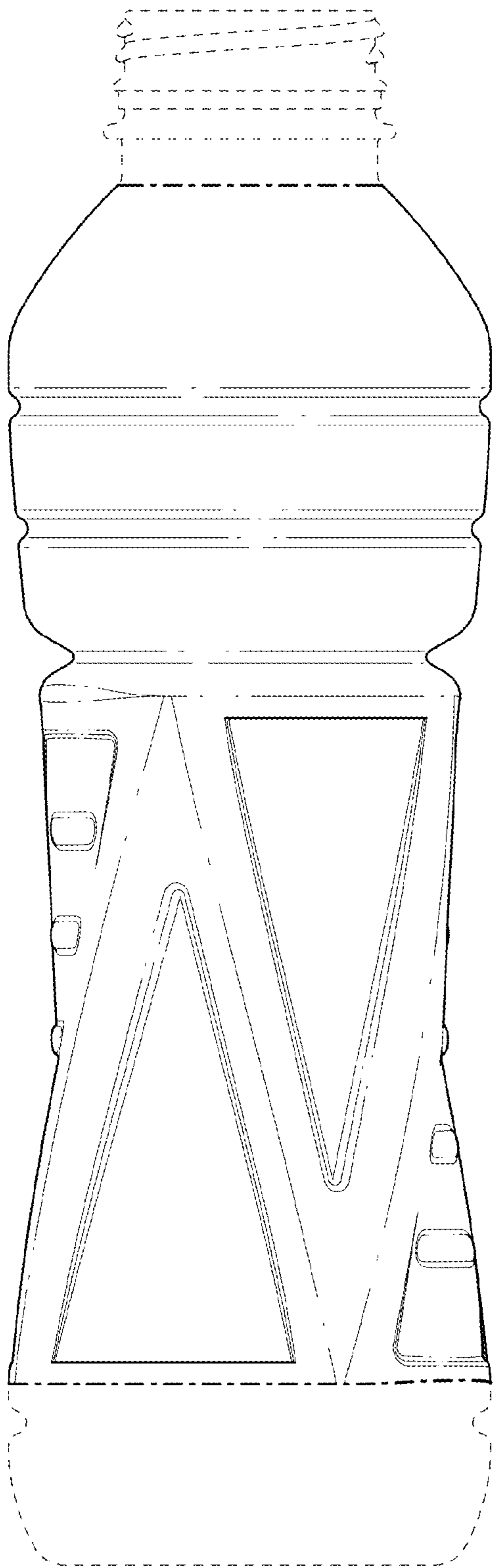


FIG. 5

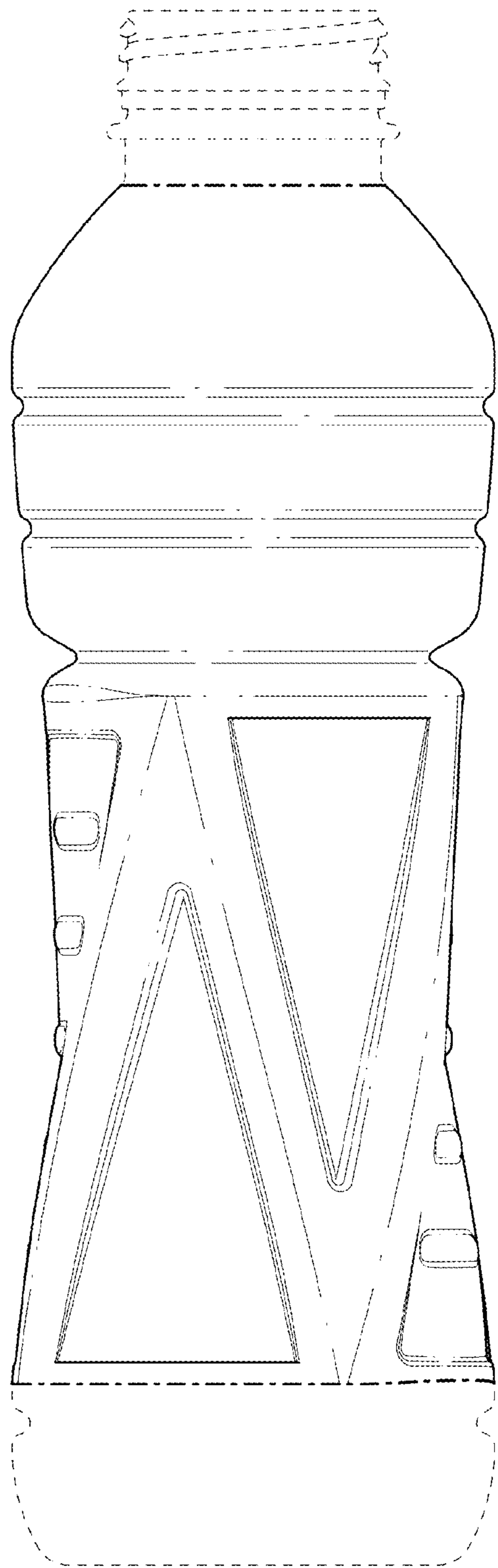


FIG. 6

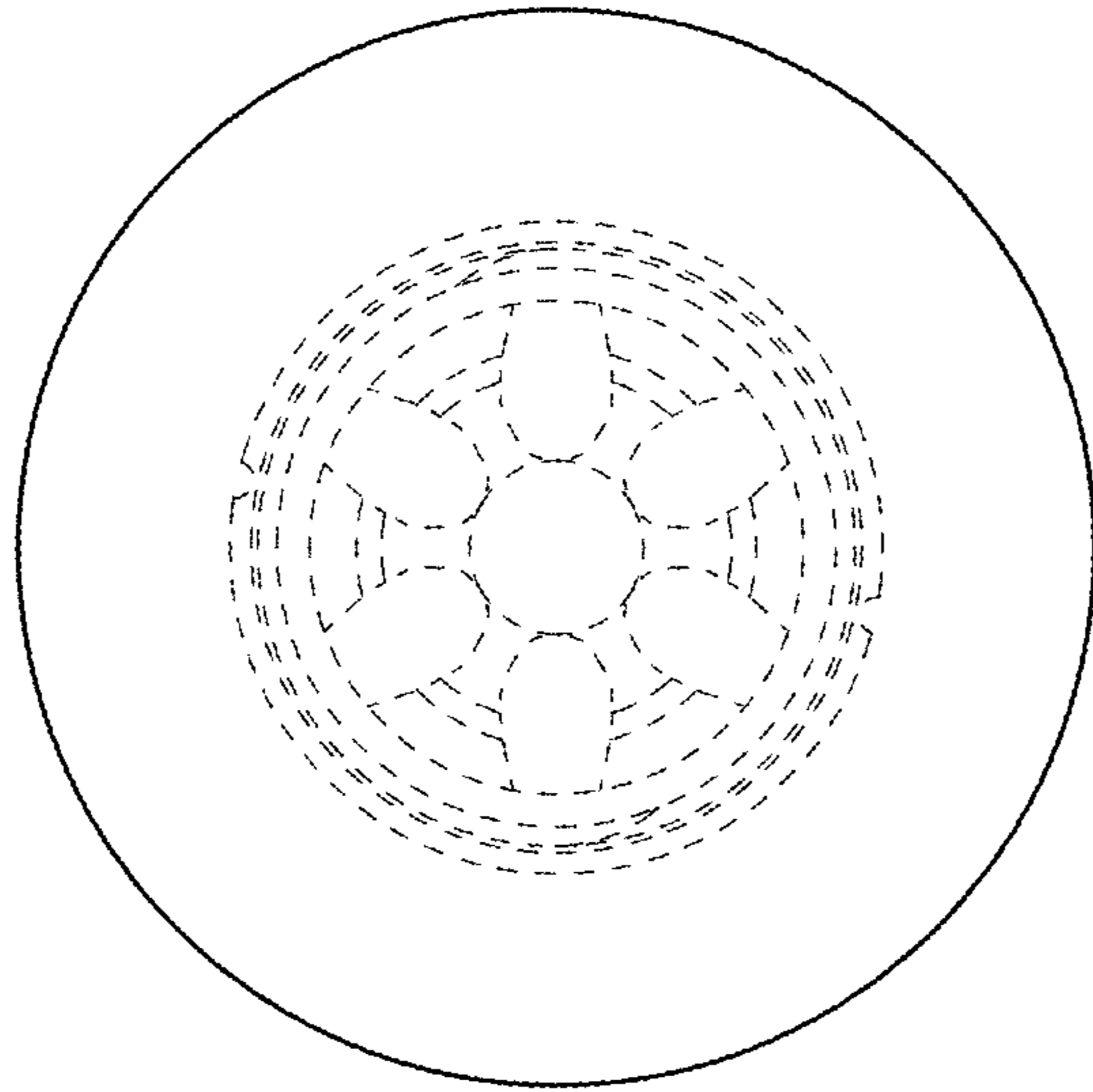


FIG. 7

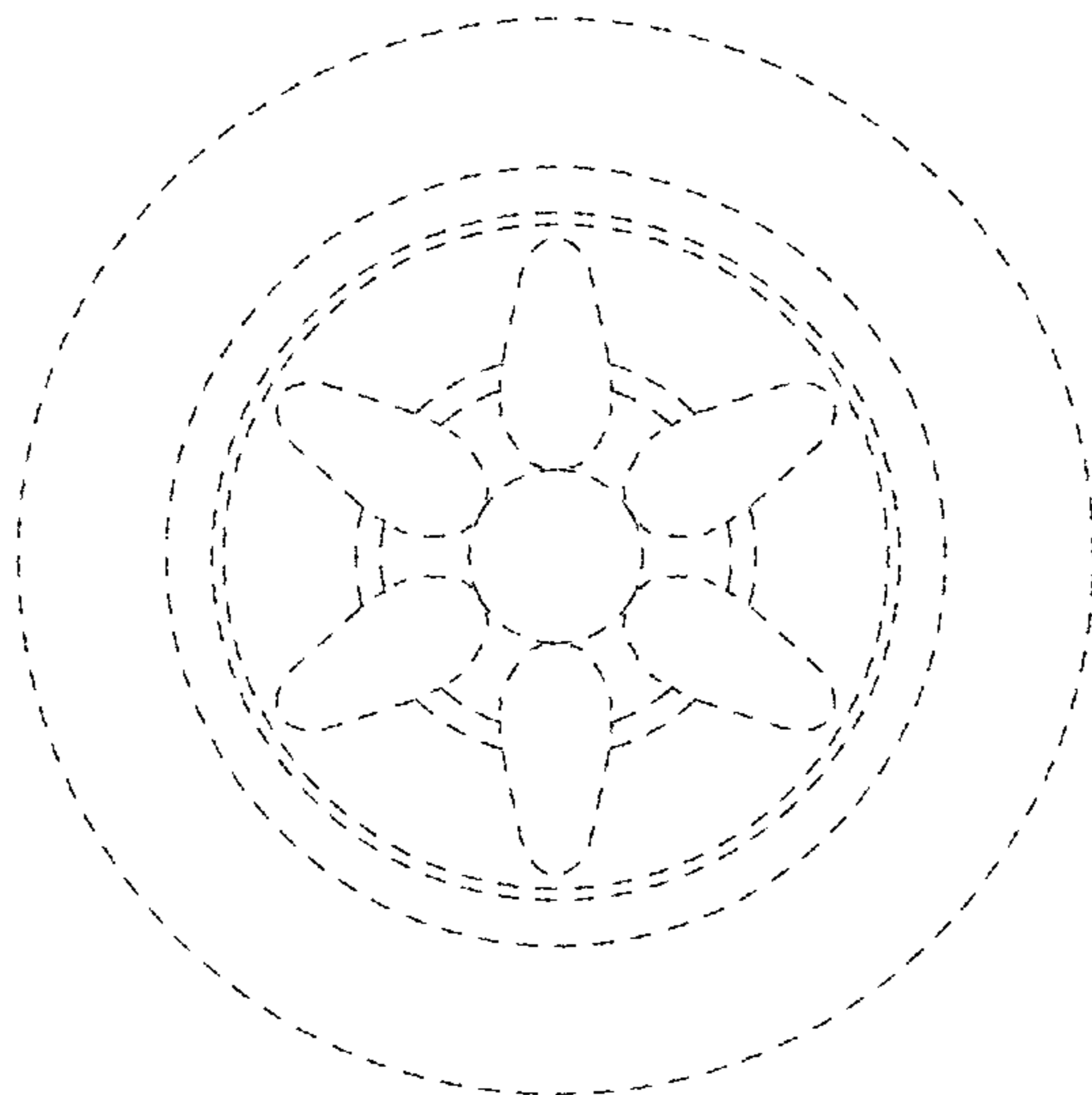


FIG. 8