



US00D877619S

(12) **United States Design Patent**
Harris et al.

(10) **Patent No.:** **US D877,619 S**
(45) **Date of Patent:** **** Mar. 10, 2020**

(54) **CONTAINER WITH CAP AND BASE**

(71) Applicant: **S. C. Johnson & Son, Inc.**, Racine, WI (US)

(72) Inventors: **Kimberly J. Harris**, Milwaukee, WI (US); **Nathaniel Jiang**, Chicago, IL (US); **Rodney L. Prater**, Oak Creek, WI (US); **Christopher P. Wolak**, Racine, WI (US)

(73) Assignee: **S. C. Johnson & Son, Inc.**, Racine, WI (US)

(**) Term: **15 Years**

(21) Appl. No.: **29/664,305**

(22) Filed: **Sep. 24, 2018**

Related U.S. Application Data

(63) Continuation of application No. 29/505,350, filed on Sep. 21, 2015, now Pat. No. Des. 829,102.

(51) **LOC (12) Cl.** **09-01**

(52) **U.S. Cl.**
USPC **D9/516; D9/500**

(58) **Field of Classification Search**
USPC D9/434-435, 447-448, 454, 455, D9/500-501, 503-505, 516-517, 520, D9/530, 537, 539, 549, 558, 682, 686, D9/688-691; D24/197
CPC B65D 1/00; B65D 1/02; B65D 1/0223; B65D 23/00; B65D 23/001; B65D 23/08; B65D 23/0885; B65D 81/00; B65D 2501/00; B65D 2501/0009

See application file for complete search history.

(56) **References Cited**

U.S. PATENT DOCUMENTS

3,482,724 A 12/1969 Heaton
3,651,993 A 3/1972 Venus, Jr.

3,675,831 A 7/1972 Beres
3,722,725 A 3/1973 Khetani
3,738,536 A 6/1973 Gach
3,747,807 A 7/1973 Gach
3,773,227 A 11/1973 Laing et al.
3,779,427 A 12/1973 Ewald
3,804,302 A 4/1974 Yamada et al.

(Continued)

FOREIGN PATENT DOCUMENTS

WO 03095330 A1 11/2003
WO 2004020313 A1 3/2004

(Continued)

Primary Examiner — Dana Meyrow

(74) *Attorney, Agent, or Firm* — Quarles & Brady LLP

(57) **CLAIM**

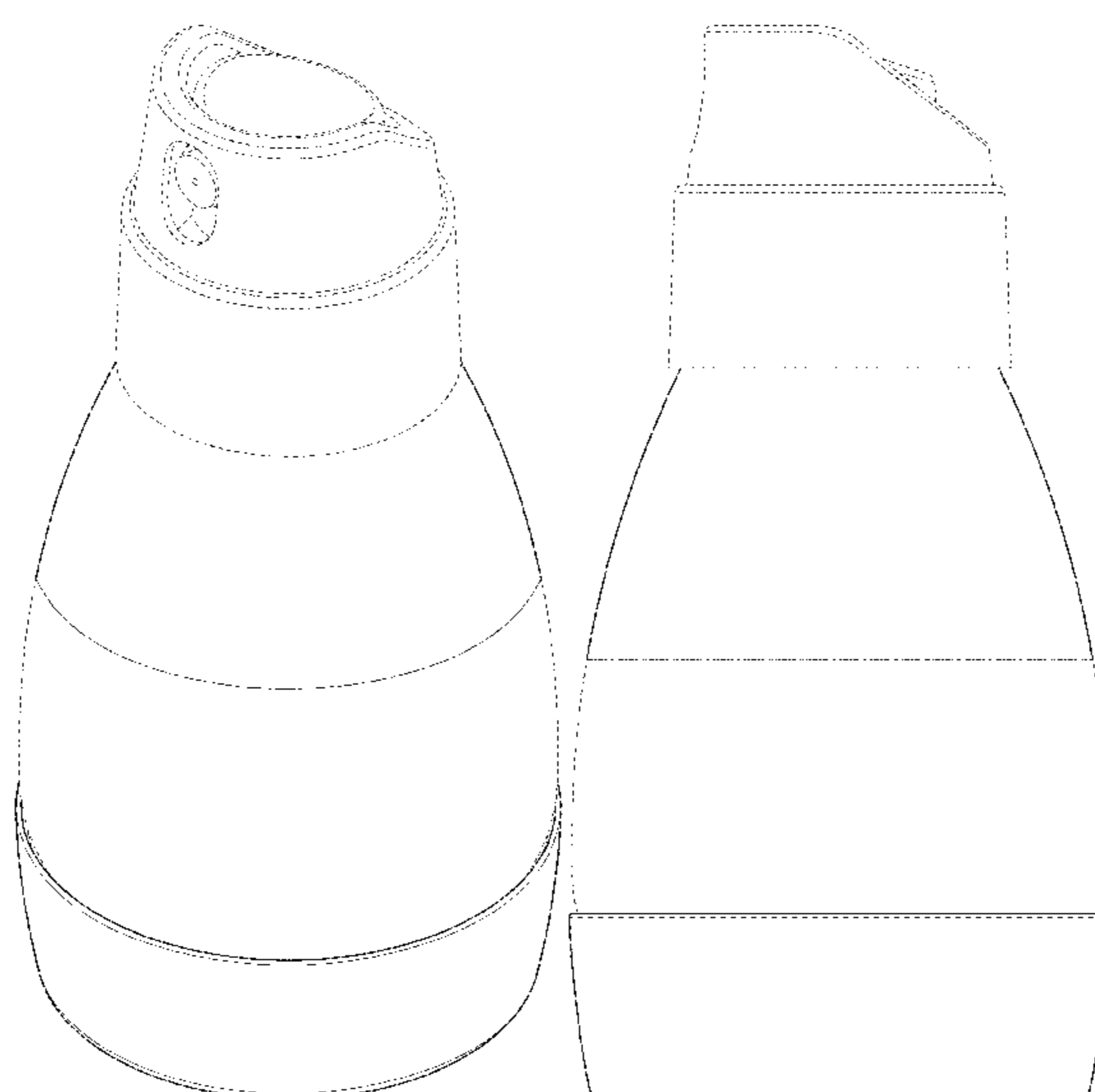
The ornamental design for a container with cap and base, as shown and described.

DESCRIPTION

FIG. 1 is an isometric view of a top, front, and left side of an ornamental design for a container with cap and base; FIG. 2 is a front elevational view of the container with cap and base of FIG. 1; FIG. 3 is a rear elevational view of the container with cap and base of FIG. 1; FIG. 4 is a left side elevational view of the container with cap and base of FIG. 1; FIG. 5 is a right side elevational view of the container with cap and base of FIG. 1; and, FIG. 6 is a top plan view of the container with cap and base of FIG. 1.

The dash-dash-dash lines are included for the purpose of illustrating portions of the container with cap and base that form no part of the claimed design. The dash-dot-dash lines are included for the purpose of illustrating a boundary line and form no part of the claimed design.

1 Claim, 6 Drawing Sheets



(56)

References Cited

U.S. PATENT DOCUMENTS

D234,251 S	2/1975	Edwards	
4,573,597 A *	3/1986	Adams	B65D 23/001
			215/372
D283,308 S *	4/1986	Oakley	D9/501
D284,451 S	7/1986	Fortuna	
4,609,418 A	9/1986	Yoshino et al.	
D310,028 S	8/1990	Brandt et al.	
6,758,373 B2	7/2004	Jackson et al.	
7,036,691 B2	5/2006	Nicolas	
D585,745 S	2/2009	Honkawa	
7,487,891 B2	2/2009	Yerby et al.	
D608,655 S	1/2010	Brewer et al.	
7,699,190 B2	4/2010	Hygema	
7,757,905 B2	7/2010	Strand et al.	
D653,082 S *	1/2012	George	D7/510
8,100,298 B2	1/2012	Marquardt et al.	
8,127,968 B2	3/2012	Yerby et al.	
8,403,184 B2	3/2013	Eberhardt et al.	
8,418,892 B2	4/2013	Geier	
8,517,227 B2	8/2013	Strand et al.	
D704,557 S	5/2014	Hamill	
D706,133 S	6/2014	Robinson	
D716,661 S	11/2014	Dubitsky et al.	
D719,447 S	12/2014	Becker et al.	
D726,538 S *	4/2015	Behar	D9/500
D750,492 S	3/2016	Campbell et al.	

D766,084 S	9/2016	Jiang	
D782,309 S	3/2017	Jiang	
D799,973 S *	10/2017	Sorensen	D9/558
D830,827 S *	10/2018	Prater	D9/500
2005/0218164 A1	10/2005	Morris et al.	
2006/0118658 A1	6/2006	Corkhill et al.	
2007/0051754 A1	3/2007	Strand et al.	
2007/0290007 A1	12/2007	Eberhardt	
2008/0251543 A1	10/2008	Eberhardt et al.	
2012/0037668 A1	2/2012	Bicknell et al.	
2014/0183228 A1	7/2014	Decea et al.	
2014/0231467 A1	8/2014	Betts et al.	
2014/0291353 A1	10/2014	Betts et al.	
2014/0299148 A1	10/2014	Betts et al.	
2017/0341849 A1	11/2017	Wolak et al.	

FOREIGN PATENT DOCUMENTS

WO	2004020314 A1	3/2004
WO	2004078635 A2	9/2004
WO	2006058626 A1	6/2006
WO	2006061099 A1	6/2006
WO	2007022422 A2	2/2007
WO	2008085896 A2	7/2008
WO	2010052168 A1	5/2010
WO	2013068190 A1	5/2013
WO	2013068191 A1	5/2013
WO	2013068219 A1	5/2013

* cited by examiner

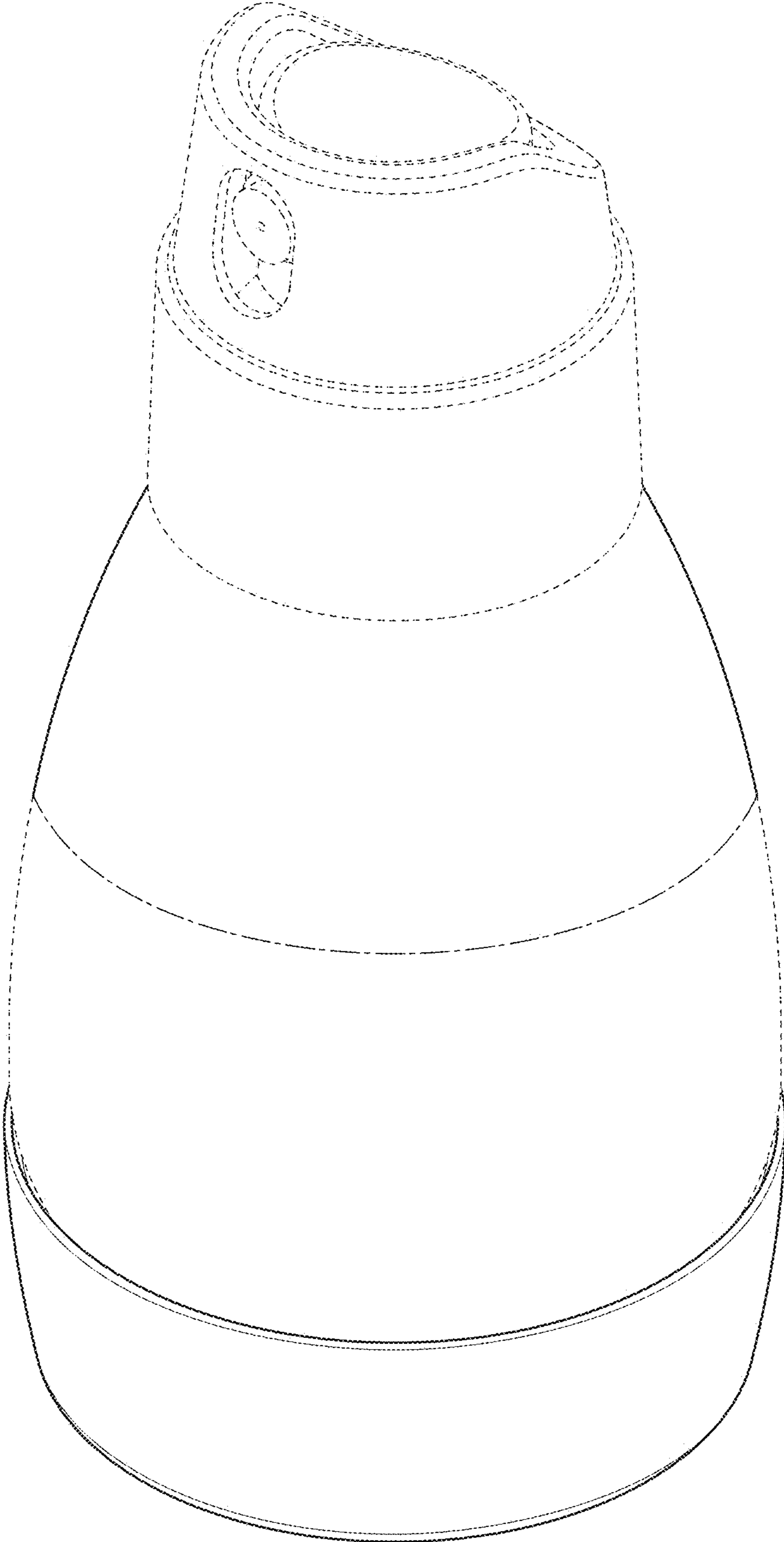


FIG. 1

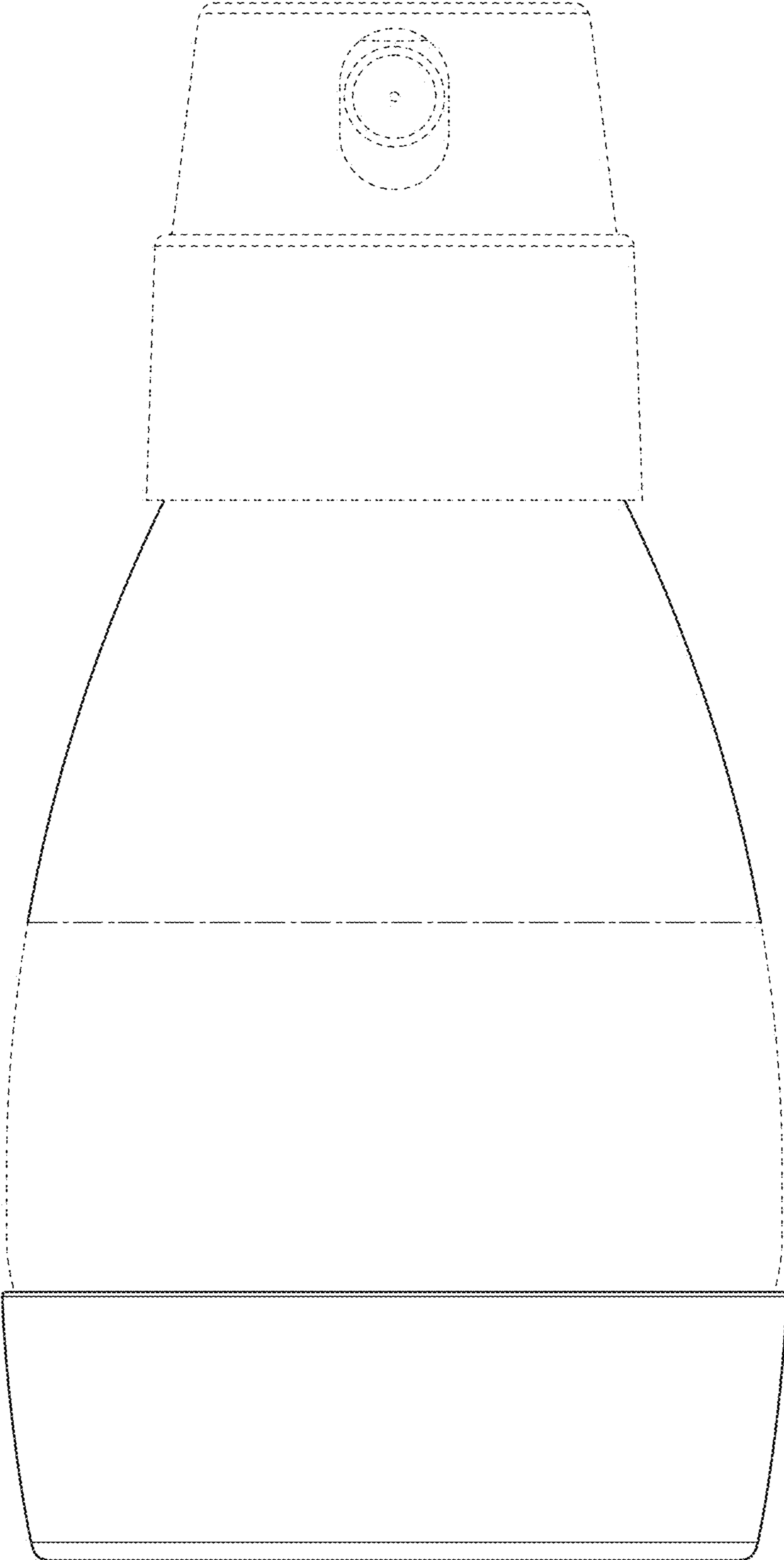


FIG. 2

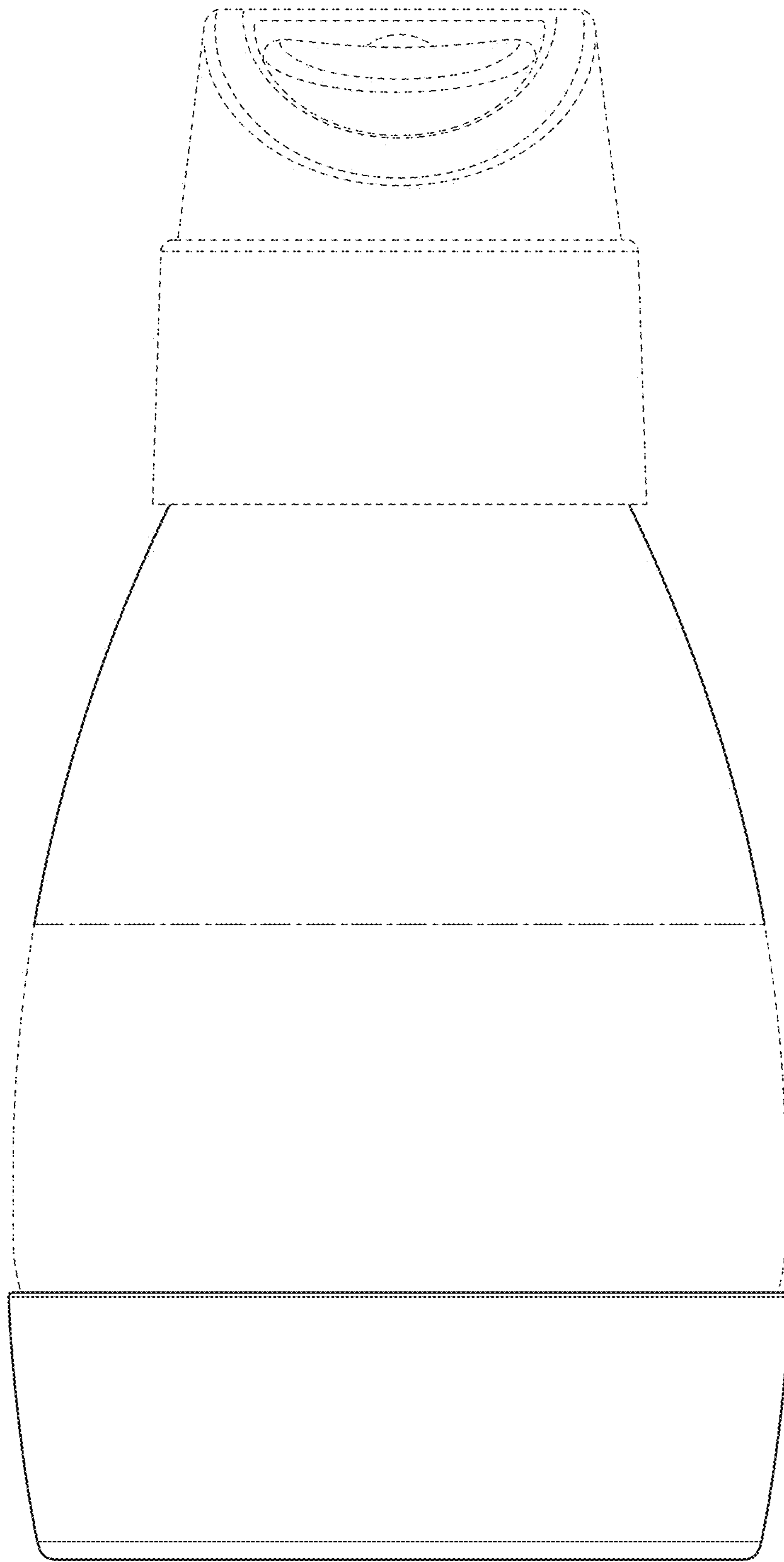


FIG. 3

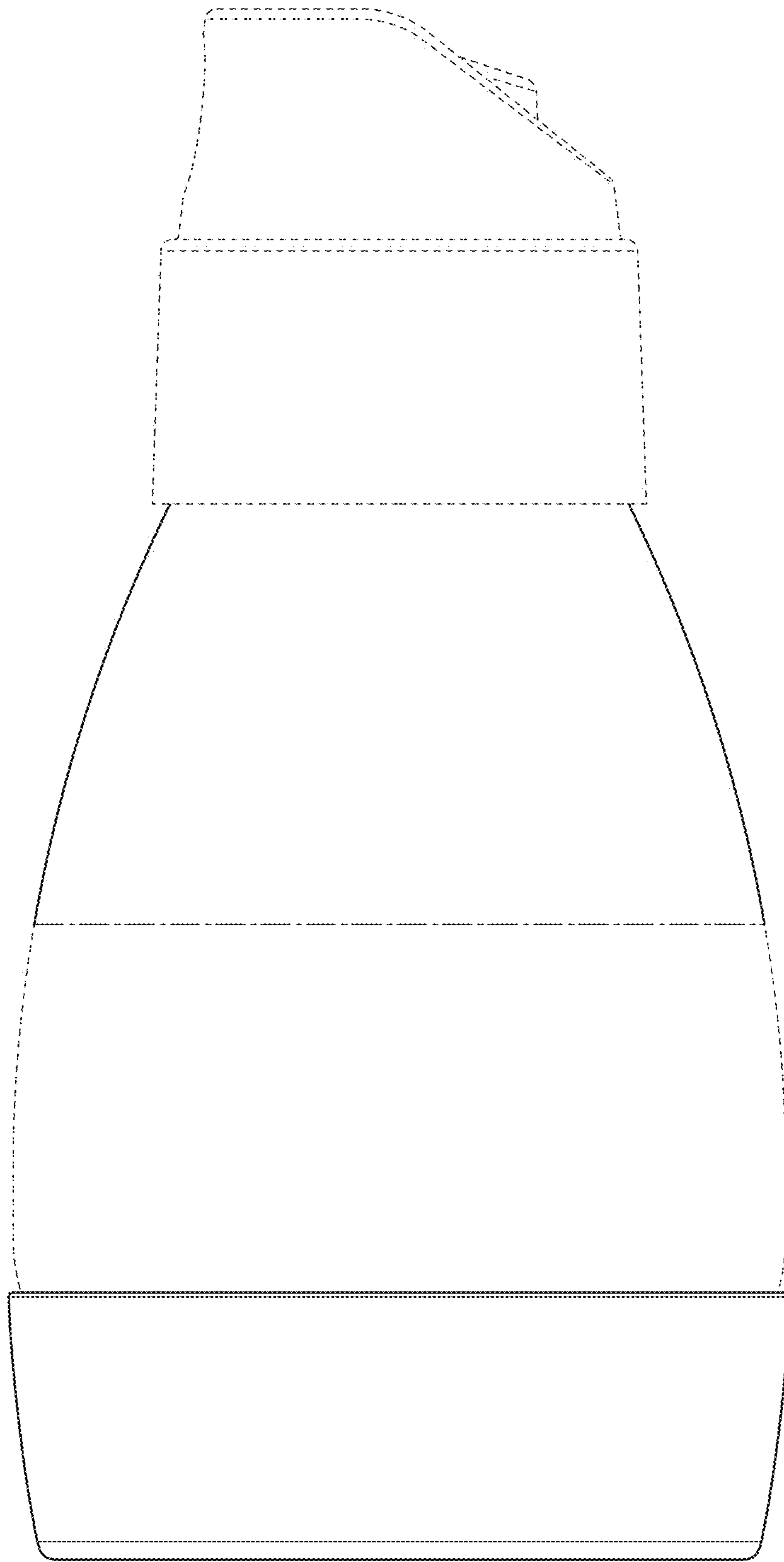


FIG. 4

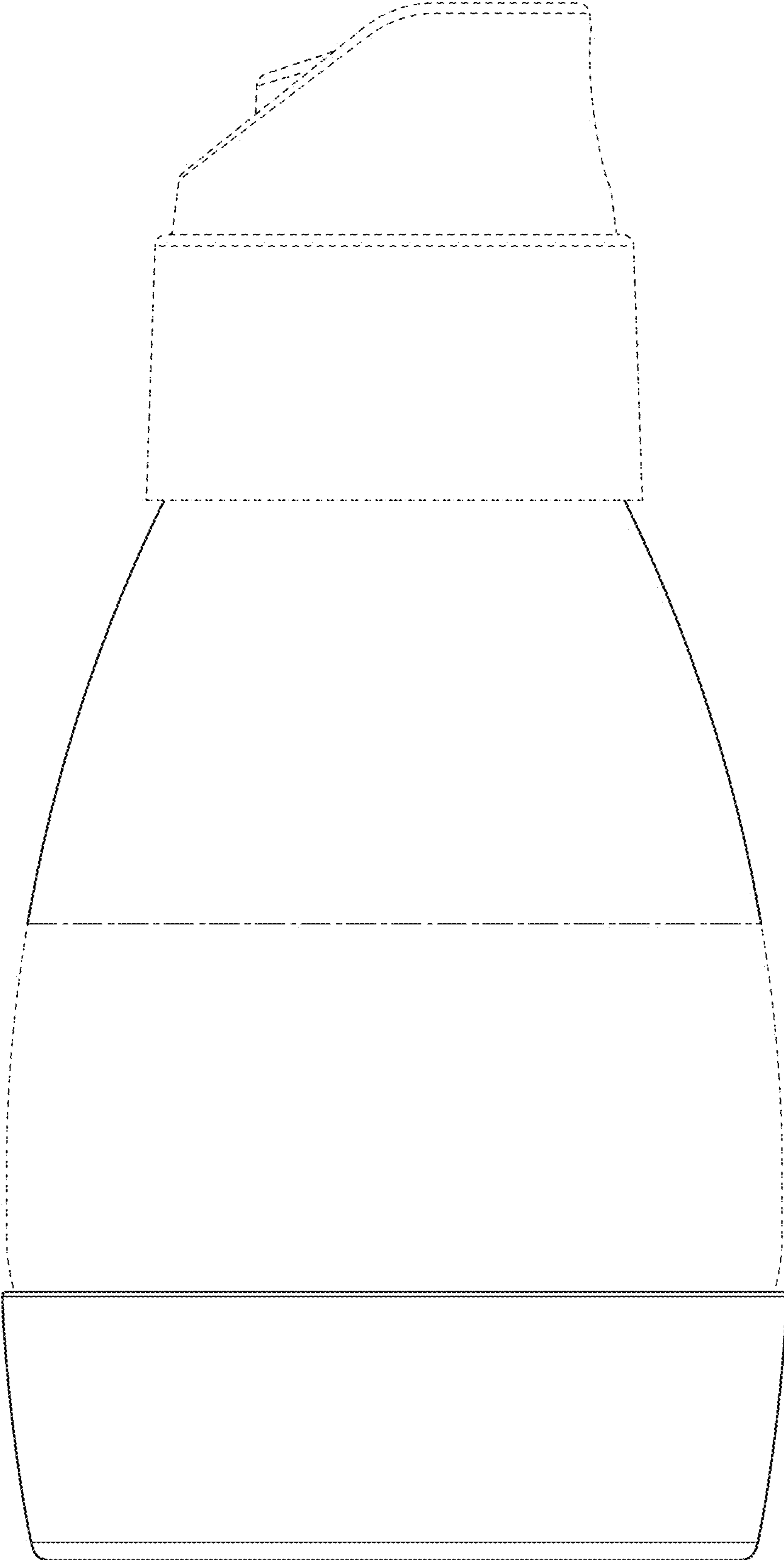


FIG. 5

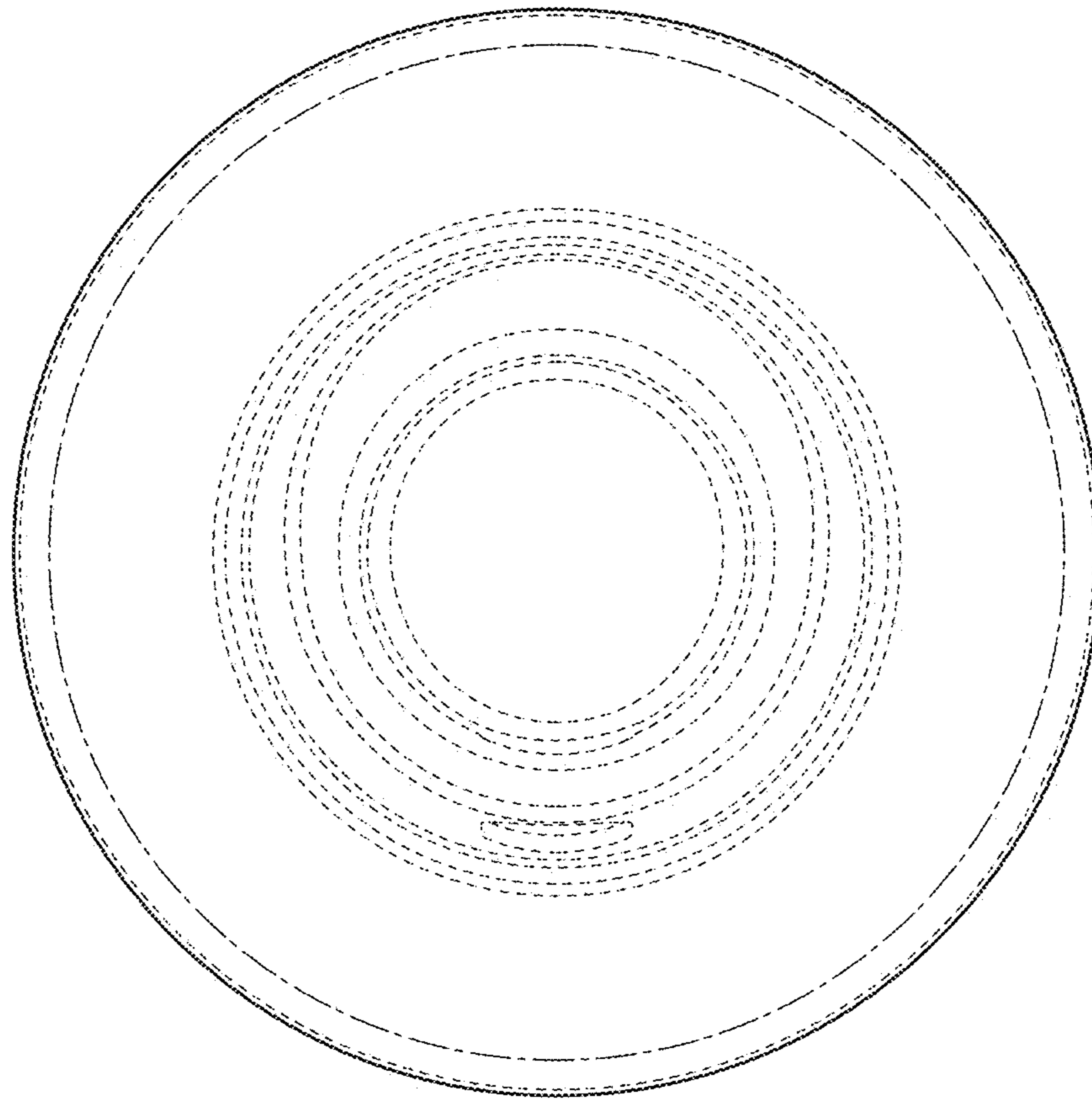


FIG. 6