



US00D877618S

(12) **United States Design Patent** (10) **Patent No.:** **US D877,618 S**
Baker (45) **Date of Patent:** **** Mar. 10, 2020**

(54) **METAL CONTAINER**

(71) Applicant: **Silgan Containers LLC**, Woodland Hills, CA (US)

(72) Inventor: **Gerald James Baker**, Wauwatosa, WI (US)

(73) Assignee: **Silgan Containers LLC**, Woodland Hills, CA (US)

(**) Term: **15 Years**

(21) Appl. No.: **29/674,336**

(22) Filed: **Dec. 20, 2018**

(51) **LOC (12) Cl.** **09-01**

(52) **U.S. Cl.**
USPC **D9/500**

(58) **Field of Classification Search**
USPC D9/500, 502, 516, 518, 530, 537, 539, D9/542, 549, 763-783, 428; D11/152; D7/601, 602, 612, 615, 630
CPC ... B65D 1/00; B65D 1/02; B65D 1/12; B65D 1/14; B65D 1/40; B65D 1/44; B65D 1/023; B65D 1/0223; B65D 1/165; B65D 1/238; B65D 1/246; B65D 1/253; B65D 7/04; B65D 21/0209; B65D 21/0233; B65D 25/00; B65D 25/28; B65D 41/0457; B65D 41/17; B65D 53/06; B65D 75/56; B65D 79/005; B65D 2501/0036; B65D 2543/00064; B65D 2543/00074; B65D 2543/00083; B65D 2543/00092; B65D 2543/00101; B65D 2543/00111

See application file for complete search history.

(56) **References Cited**

U.S. PATENT DOCUMENTS

D400,397 S *	11/1998	Stephan	D7/510
D606,363 S *	12/2009	Aardenburg	D7/400
D652,266 S *	1/2012	Smyers	D7/630
D658,493 S *	5/2012	Cometto	D9/503
D715,649 S *	10/2014	O'Brien	D9/500
D746,641 S *	1/2016	Panone	D7/602
D753,491 S *	4/2016	Trombetta	D9/503
D798,718 S *	10/2017	Foster	D9/500
D825,335 S *	8/2018	Buck	C08K 3/34
				D9/500
D852,589 S *	7/2019	Bertsch	D7/629
2014/0308406 A1 *	10/2014	O'Brien	C08K 3/34
				426/115

* cited by examiner

Primary Examiner — Keli L Hill

(74) *Attorney, Agent, or Firm* — Reinhart Boerner Van Deuren s.c.

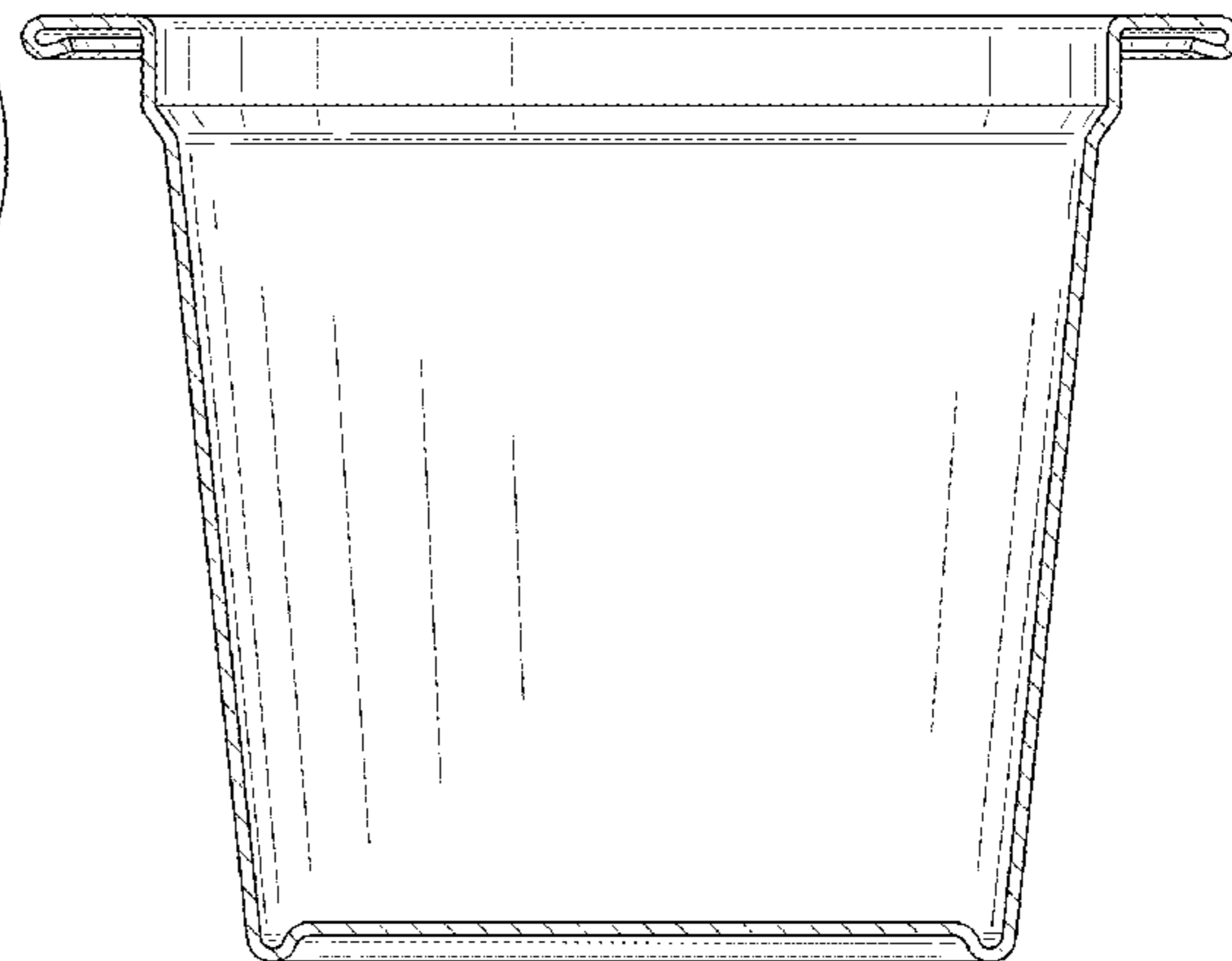
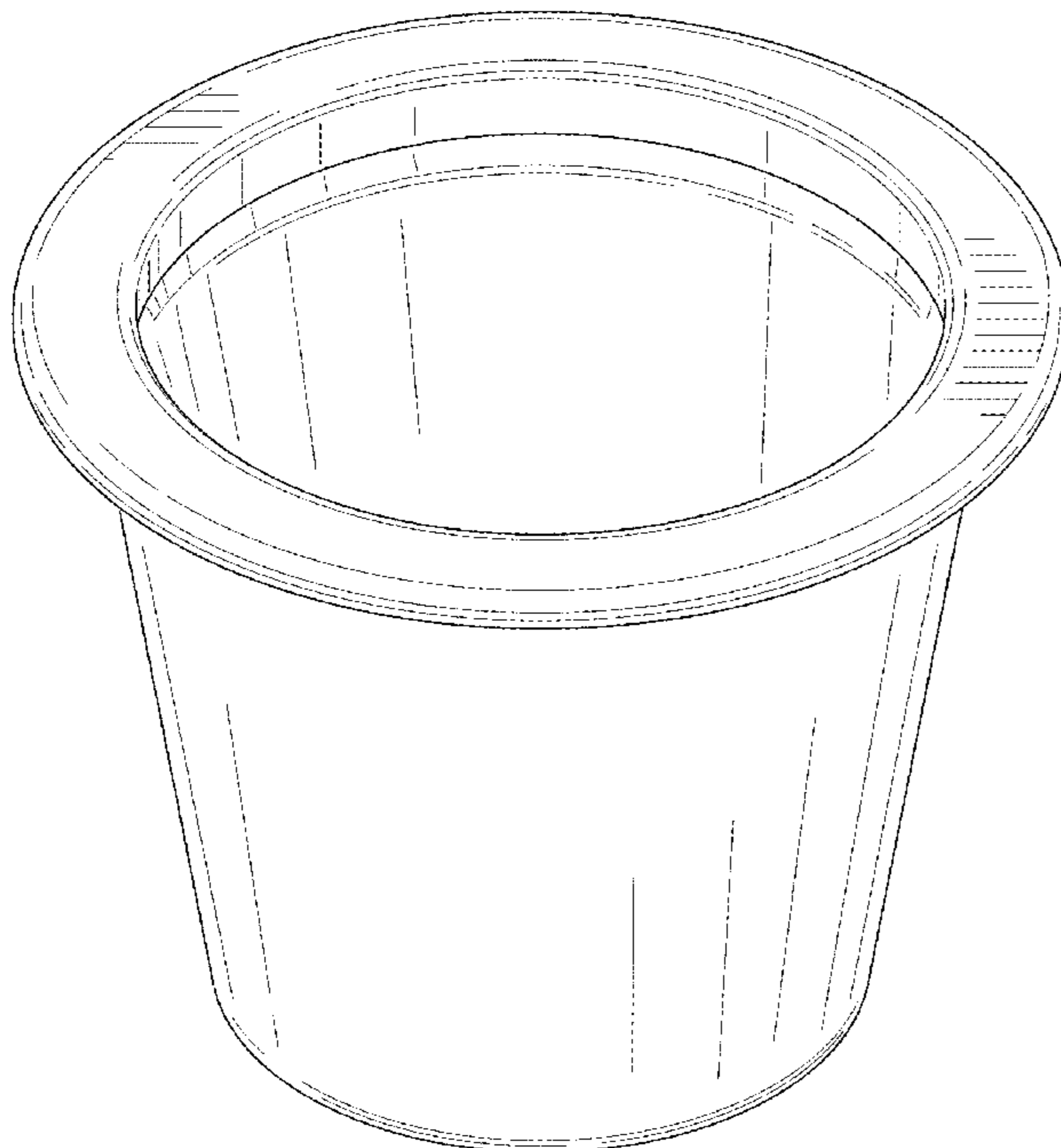
(57) **CLAIM**

I claim the ornamental design for a metal container, as shown and described.

DESCRIPTION

FIG. 1 is a perspective view of a metal container;
FIG. 2 is a side view of FIG. 1;
FIG. 3 is a top view of FIG. 1;
FIG. 4 is a bottom view of FIG. 1;
FIG. 5 is a cross-sectional view taken along line 5-5 of FIG. 2;
FIG. 6 is a cross-sectional view taken along line 6-6 of FIG. 2; and,
FIG. 7 is a cross-sectional view taken along line 7-7 of FIG. 2.

1 Claim, 7 Drawing Sheets



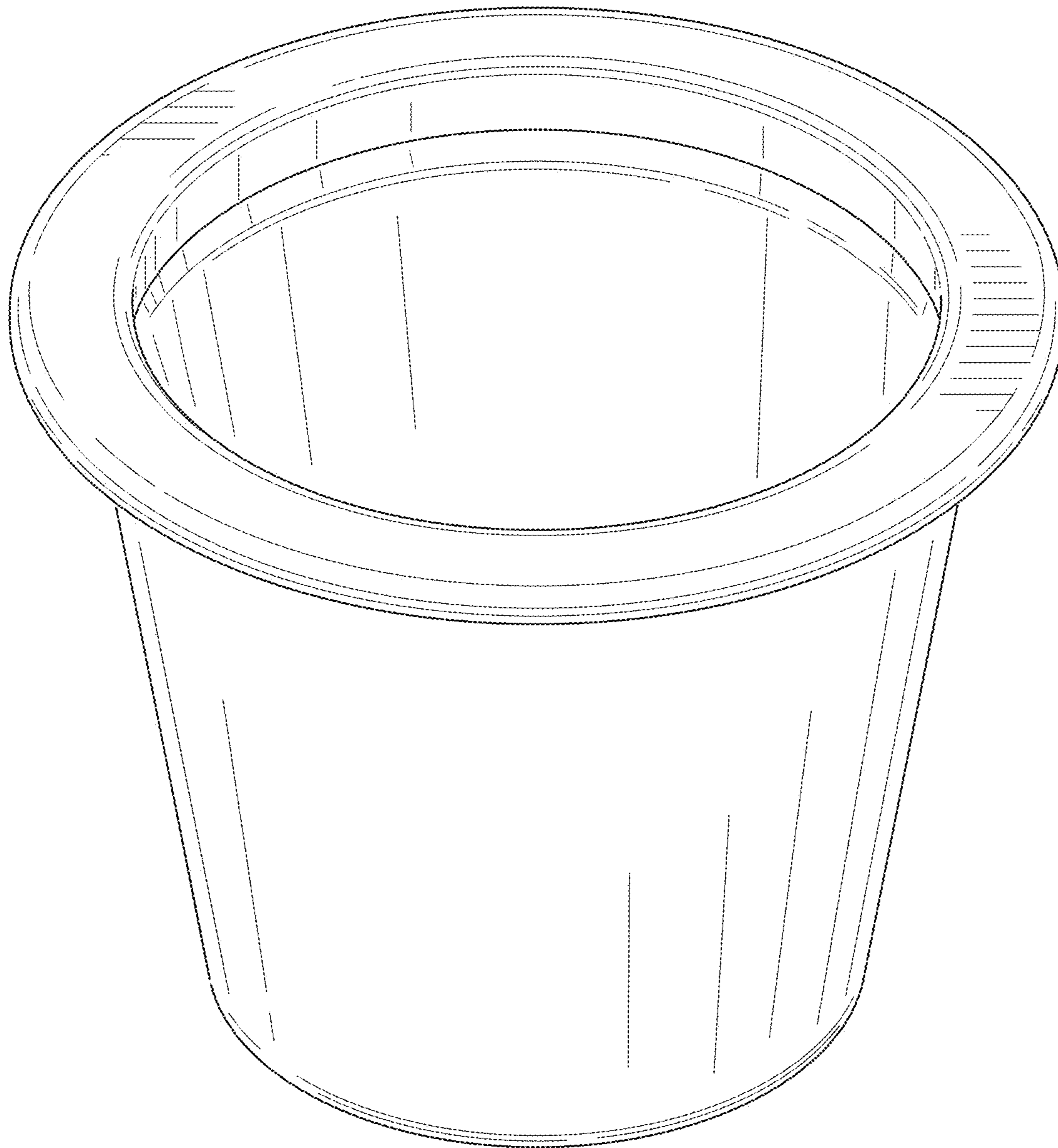


FIG. 1

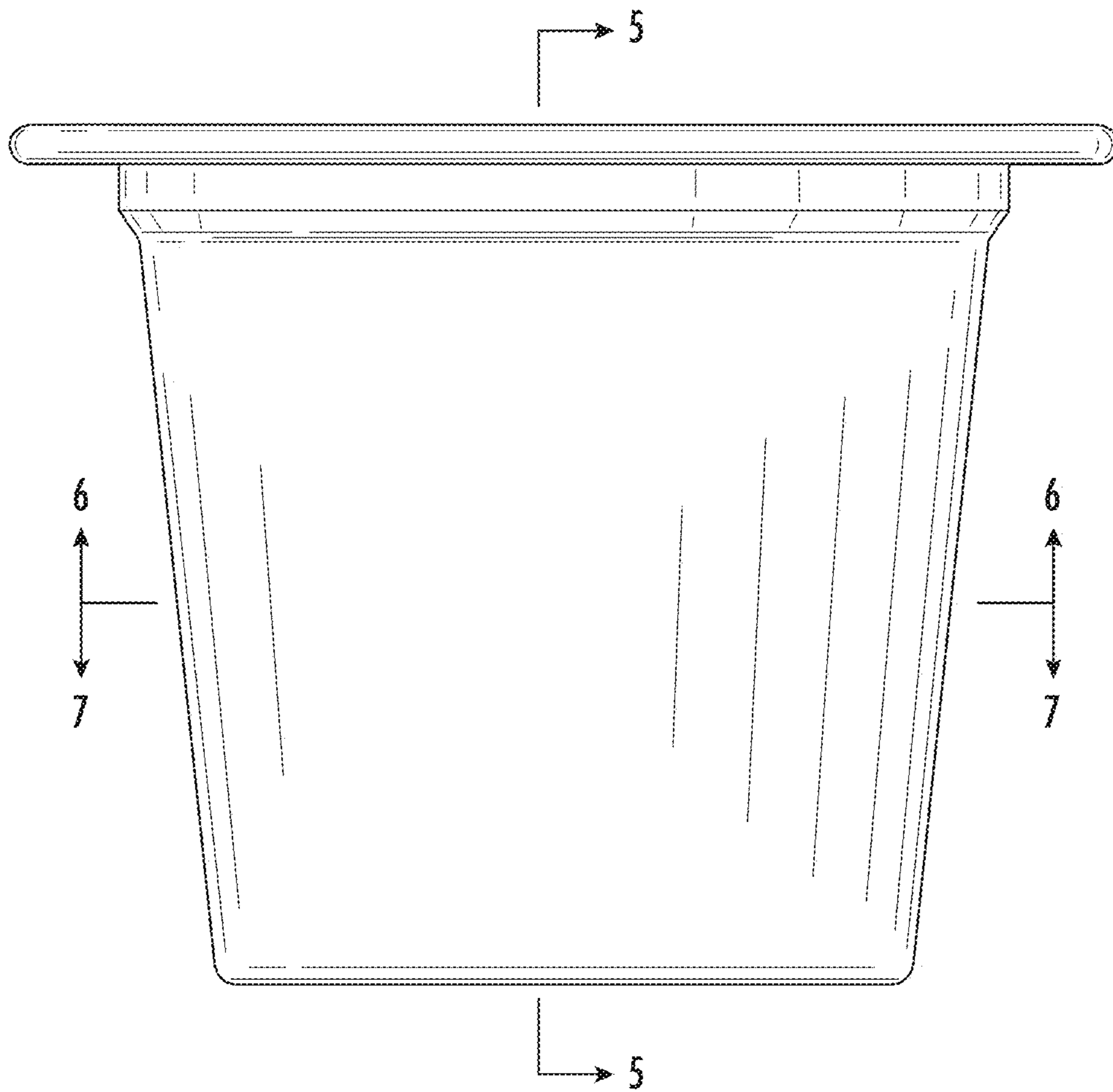


FIG. 2

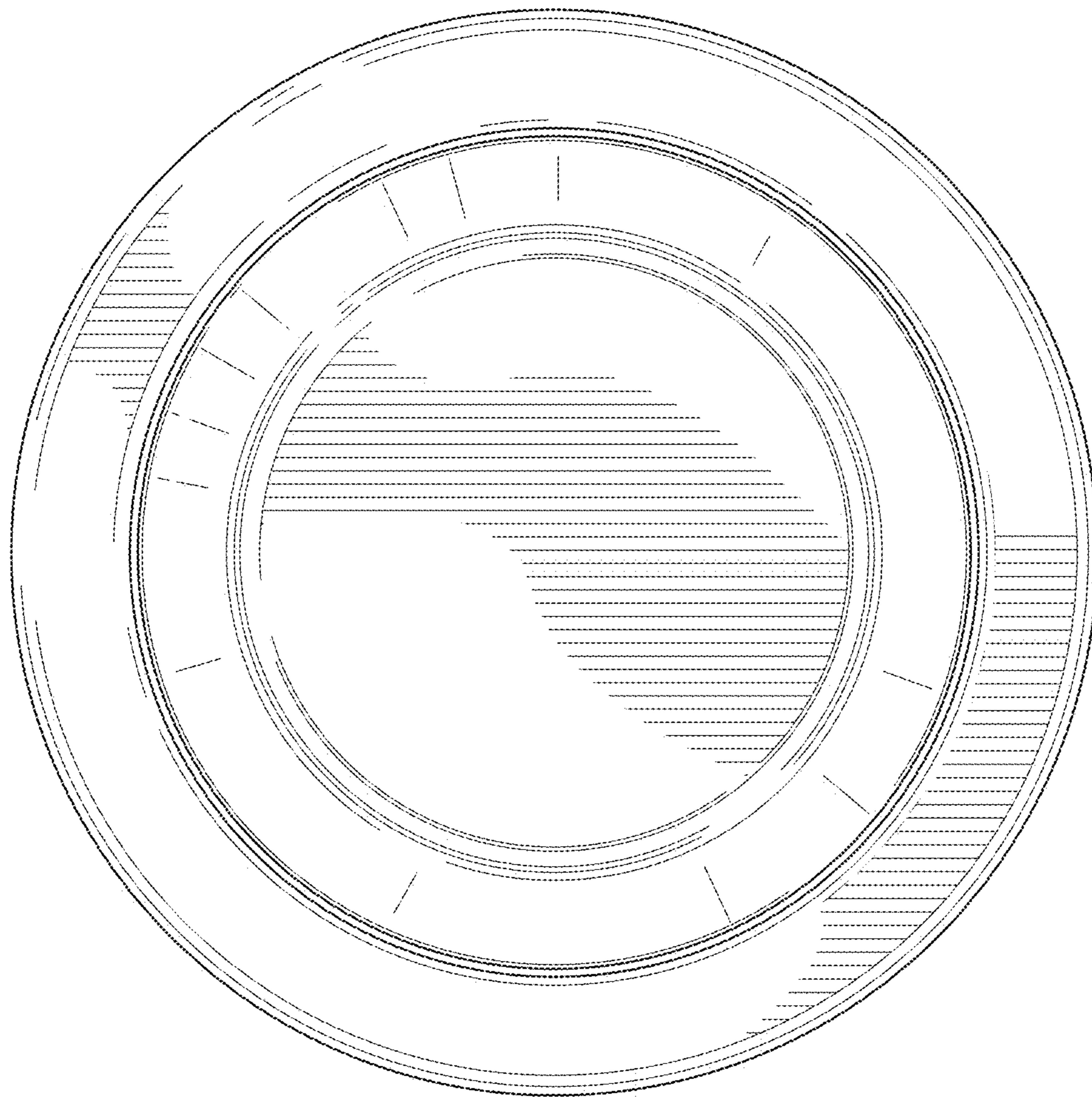


FIG. 3

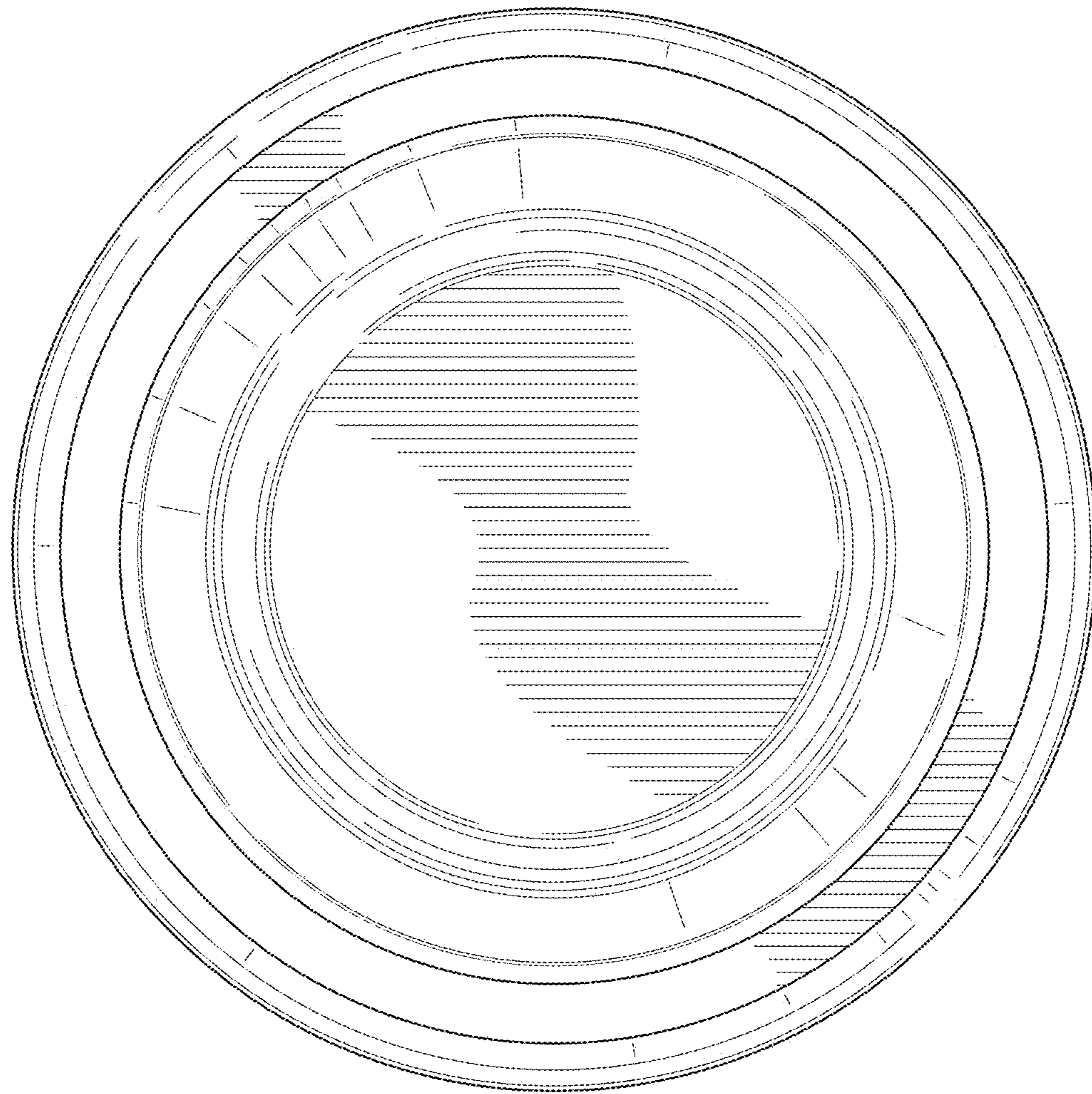


FIG. 4

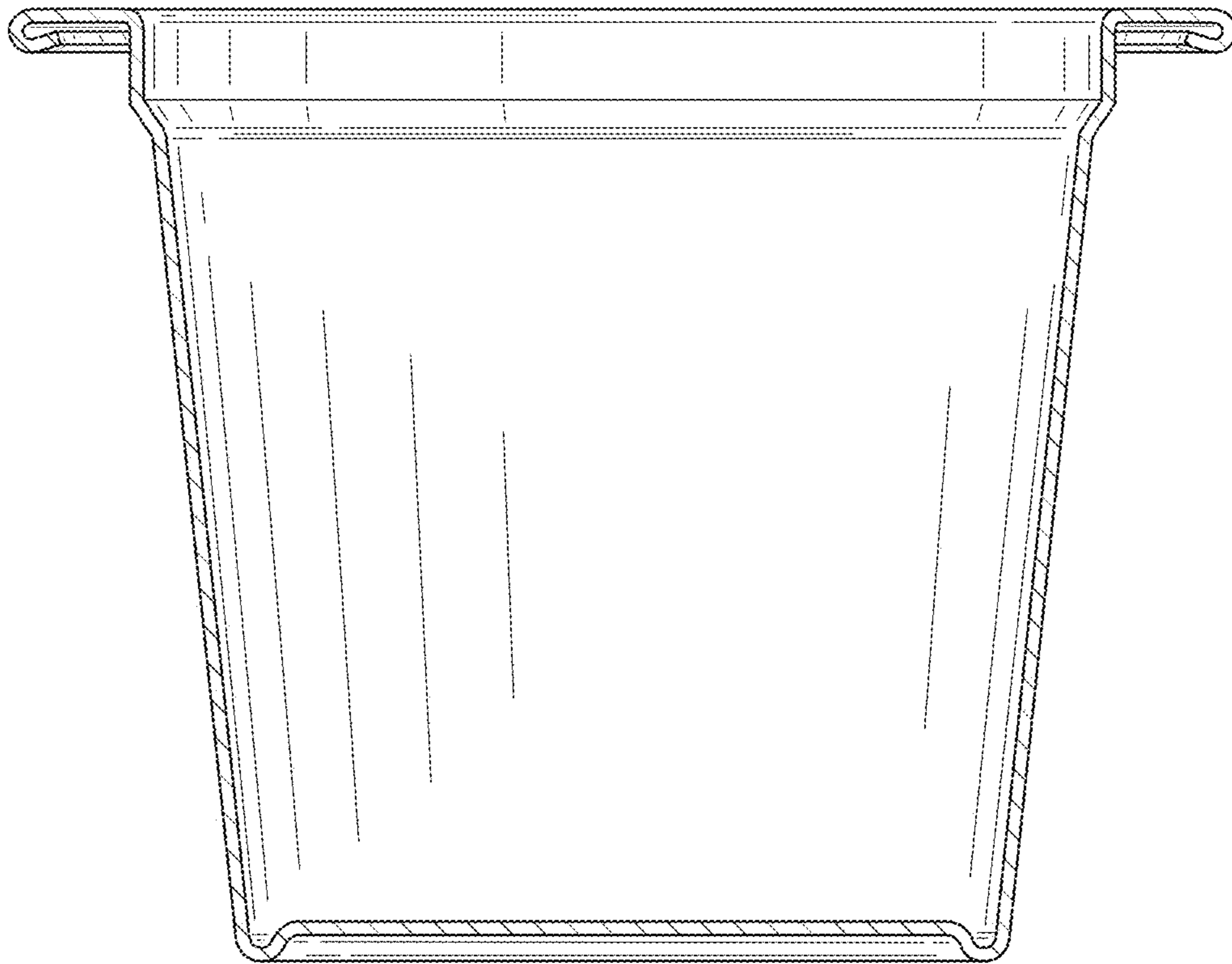


FIG. 5

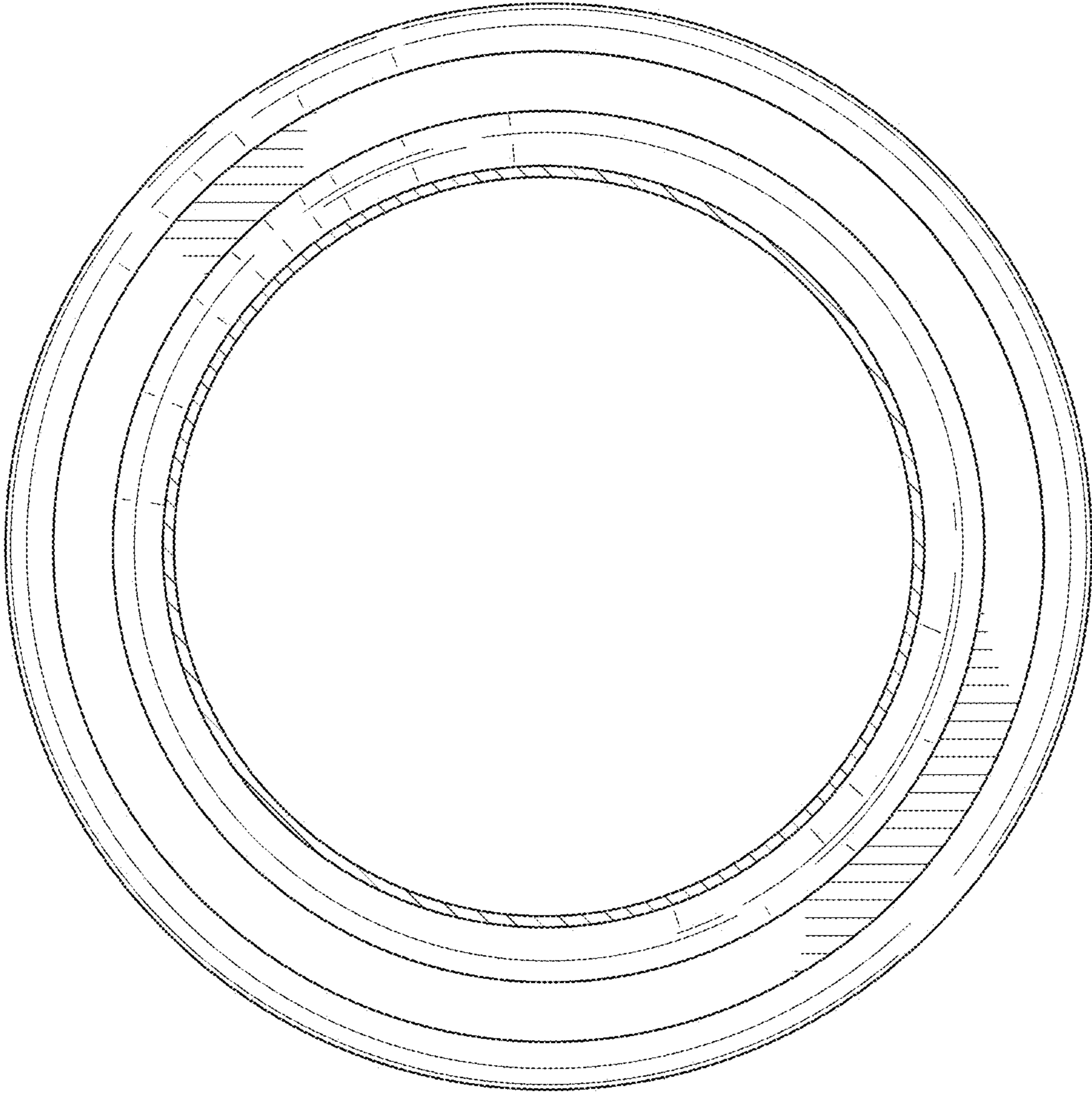


FIG. 6

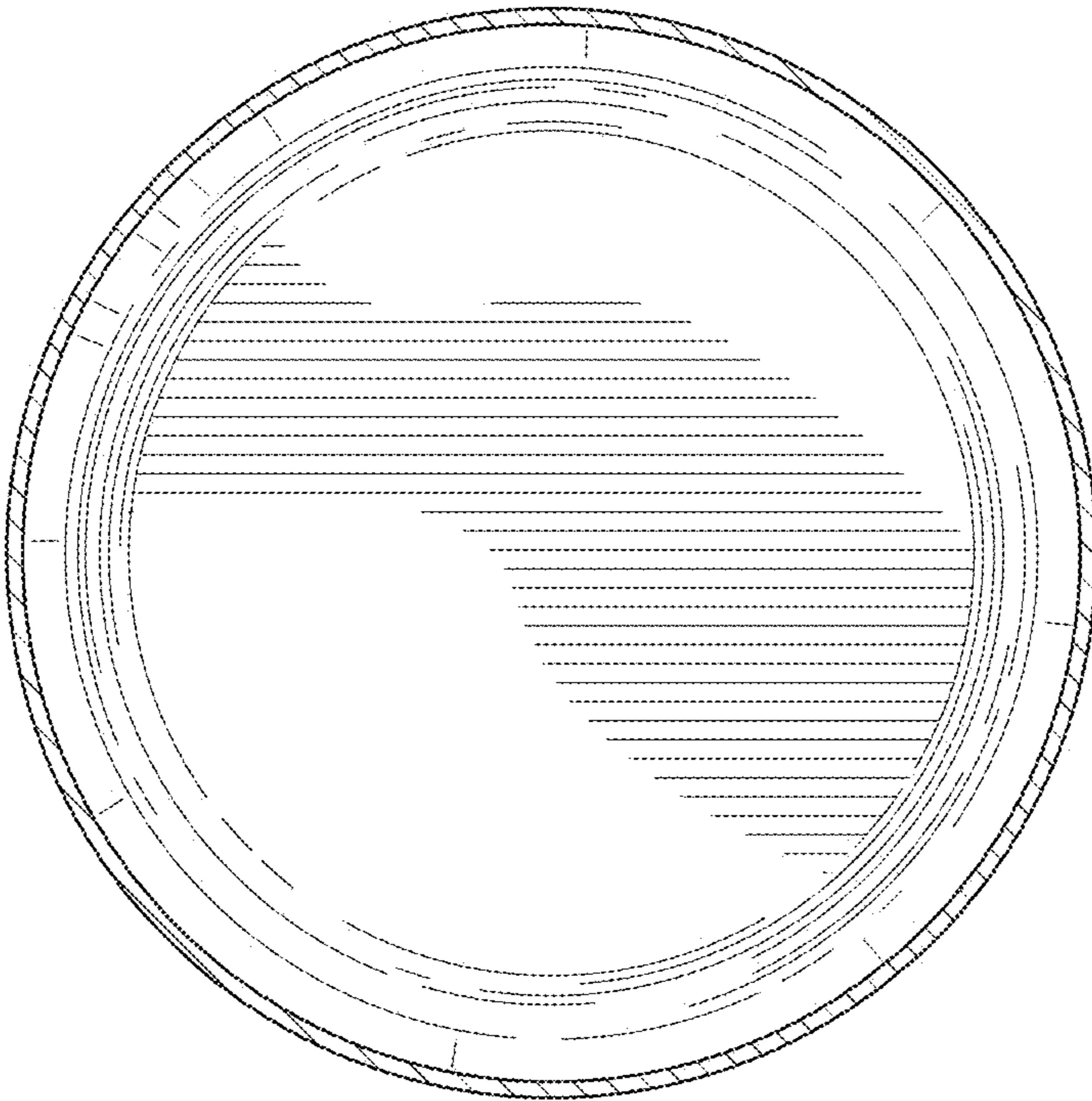


FIG. 7