



US00D877617S

(12) **United States Design Patent**
Hall et al.

(10) **Patent No.:** **US D877,617 S**
(45) **Date of Patent:** **** Mar. 10, 2020**

(54) **BOTTLE**

(71) Applicant: **Conopco, Inc.**, Englewood Cliffs, NJ (US)

(72) Inventors: **John William Hall**, Amsterdam (NL); **Meng Lee Toh**, Singapore (SG)

(73) Assignee: **Conopco, Inc.**, Englewood Cliffs, NJ (US)

(**) Term: **15 Years**

(21) Appl. No.: **29/640,966**

(22) Filed: **Mar. 19, 2018**

(30) **Foreign Application Priority Data**

Sep. 22, 2017 (EM) 004369098-0001
Sep. 22, 2017 (EM) 004369098-0002

(51) **LOC (12) Cl.** **09-03**

(52) **U.S. Cl.**
USPC **D9/454**

(58) **Field of Classification Search**
USPC D9/434, 436, 440, 445, 447, 449, 453, D9/454, 516, 528, 531, 540-543, 558, D9/715, 719
CPC B65D 1/023; B65D 41/0442
See application file for complete search history.

(56) **References Cited**

U.S. PATENT DOCUMENTS

- D292,489 S 10/1987 Kowollik et al.
- D311,135 S 10/1990 Maes
- D347,790 S 6/1994 Lathrop et al.
- 5,464,107 A 11/1995 Koeniger
- D424,946 S 5/2000 Alsup
- D467,506 S 12/2002 Jones et al.
- D550,559 S 9/2007 Meeker et al.
- D559,685 S 1/2008 Riddick et al.
- D569,732 S 5/2008 Georg-Muhlhausen

(Continued)

FOREIGN PATENT DOCUMENTS

- WO WO2005075308 8/2005
- WO WO2015093369 6/2015
- WO WO2016032460 3/2016

OTHER PUBLICATIONS

Search Report and Written Opinion in EP17192767, dated Mar. 6, 2018.

(Continued)

Primary Examiner — Ian Simmons

Assistant Examiner — Keith Frank

(74) *Attorney, Agent, or Firm* — Gerard J. McGowan, Jr.

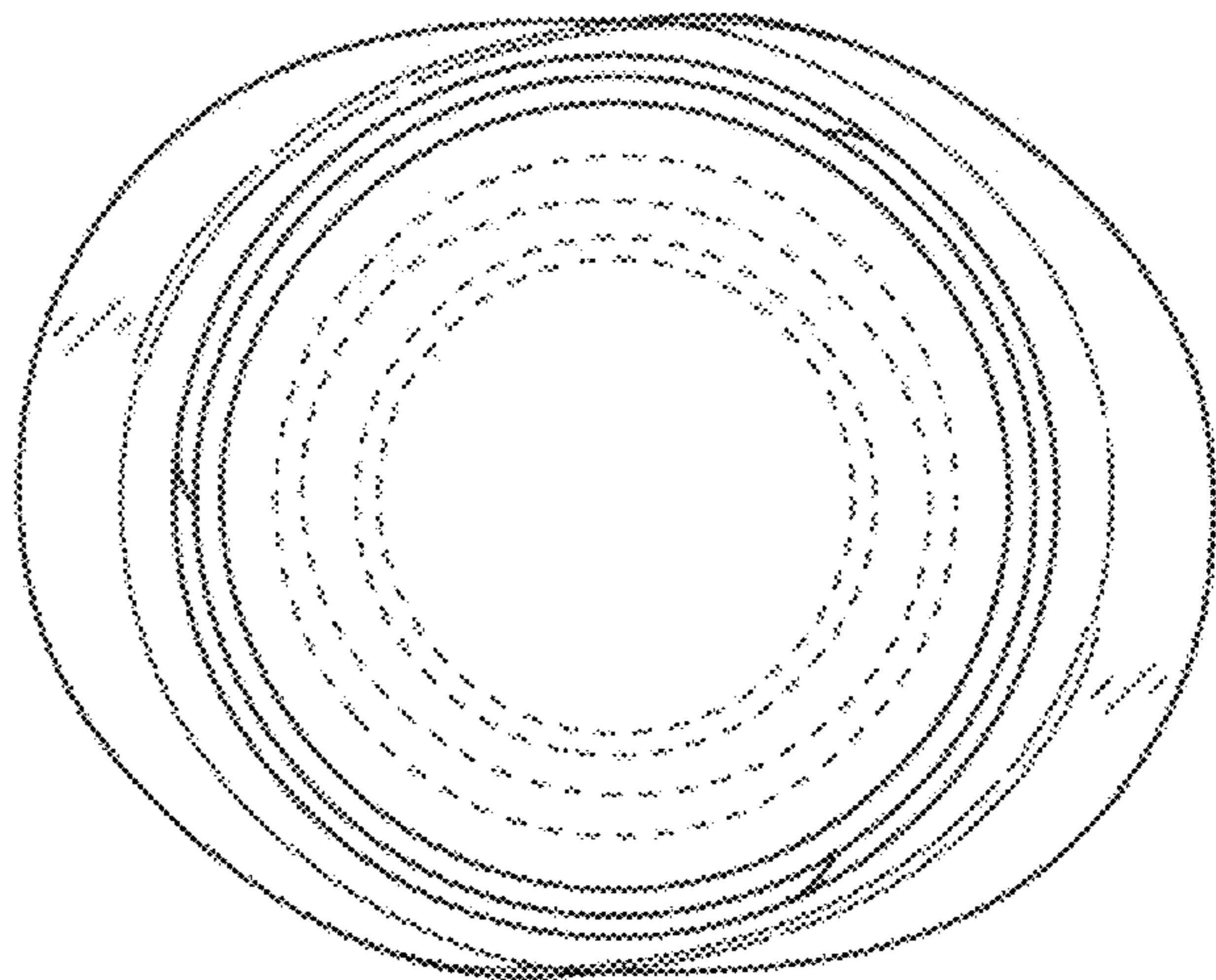
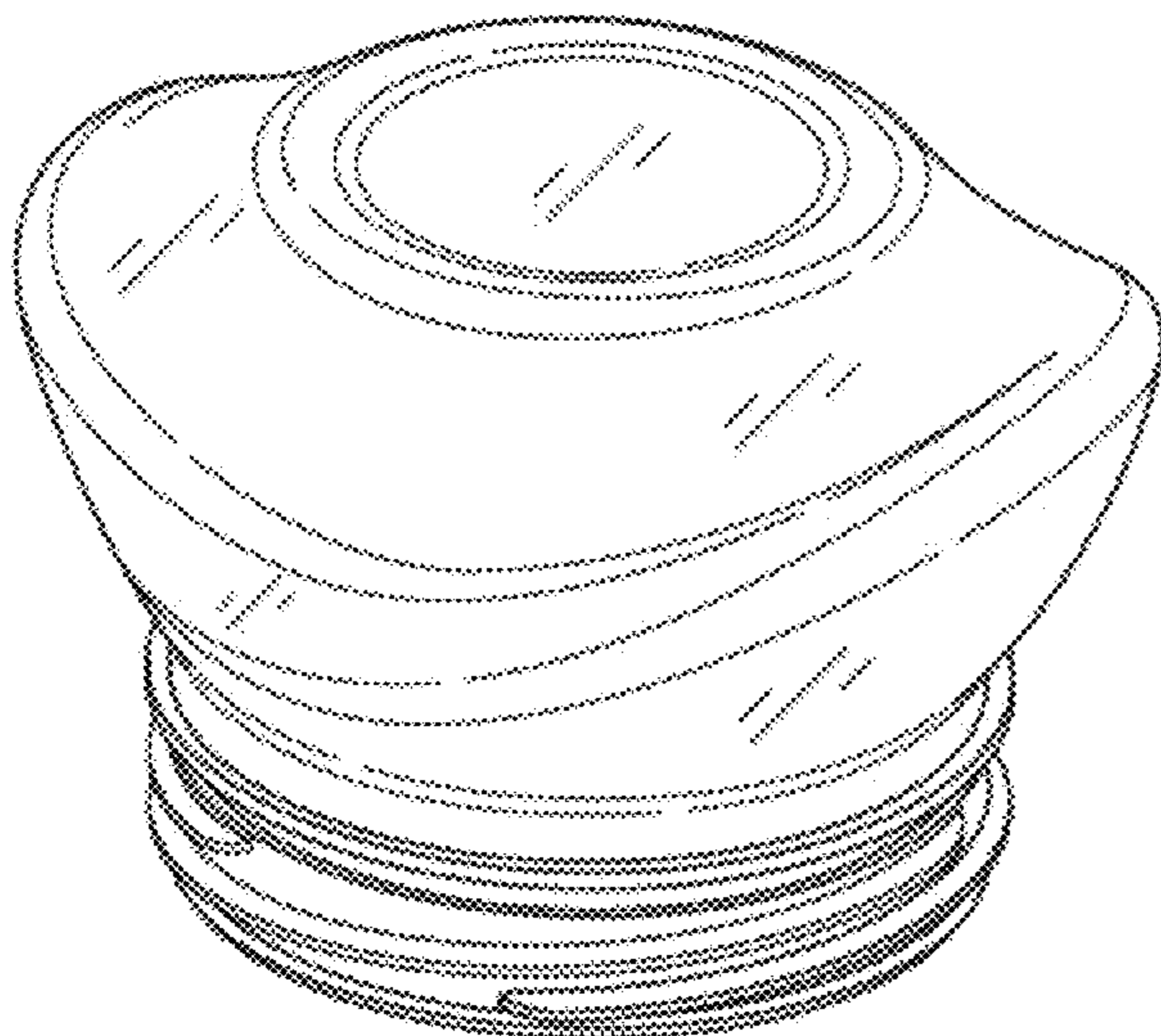
(57) **CLAIM**

The ornamental design for a bottle, as shown and described.

DESCRIPTION

FIG. 1 is a front perspective view from the top and the right side of my new design;
 FIG. 2 is a front view thereof;
 FIG. 3 is a back view thereof;
 FIG. 4 is a left side view thereof;
 FIG. 5 is a right side view thereof;
 FIG. 6 is a top view thereof;
 FIG. 7 is a bottom view thereof;
 FIG. 8 is a front perspective view from the top and the right side of an alternative version of my new design;
 FIG. 9 is a front view thereof;
 FIG. 10 is a back view thereof;
 FIG. 11 is a left side view thereof;
 FIG. 12 is a right side view thereof;
 FIG. 13 is a top view thereof; and,
 FIG. 14 is a bottom view thereof.
 The broken lines in the drawings illustrate the portions of the bottle that form no part of claimed design.

1 Claim, 4 Drawing Sheets



(56)

References Cited

U.S. PATENT DOCUMENTS

D576,046	S	9/2008	Cardinal et al.	
D592,960	S	5/2009	Ames et al.	
D595,137	S	6/2009	Bates et al.	
D595,138	S *	6/2009	Ames	D9/531
D611,826	S	3/2010	Kuroki et al.	
D617,639	S *	6/2010	Casey	D9/447
D632,579	S	2/2011	Mayers et al.	
D649,882	S	12/2011	Fleischhacker et al.	
D656,030	S	3/2012	Lee et al.	
D657,255	S	4/2012	Weaver et al.	
D657,256	S	4/2012	Weaver et al.	
D666,491	S *	9/2012	Adams	B65D 83/205 D9/445
D709,761	S *	7/2014	Sanders	D9/445
D720,155	S *	12/2014	Watabe	D6/536
D726,014	S	4/2015	Jasso Gomez	
D730,184	S *	5/2015	Matsushita	D9/435
D732,966	S *	6/2015	Davis	D9/531
D746,140	S *	12/2015	Watabe	D9/445
D762,118	S *	7/2016	Velmer	D9/445
D768,482	S *	10/2016	Berlepsch	D9/436
D781,708	S *	3/2017	Jasso Gomez	D9/451
D792,225	S	7/2017	Tjahjadi et al.	
D794,462	S	8/2017	Gerhards	
D808,264	S *	1/2018	Neuhalfen	D9/448
D822,486	S *	7/2018	Clarke	D9/448
2014/0192610	A1	7/2014	Holmes	

OTHER PUBLICATIONS

Co-pending Application: Applicant: Hall et al., Filed: March 19, 2018.

* cited by examiner

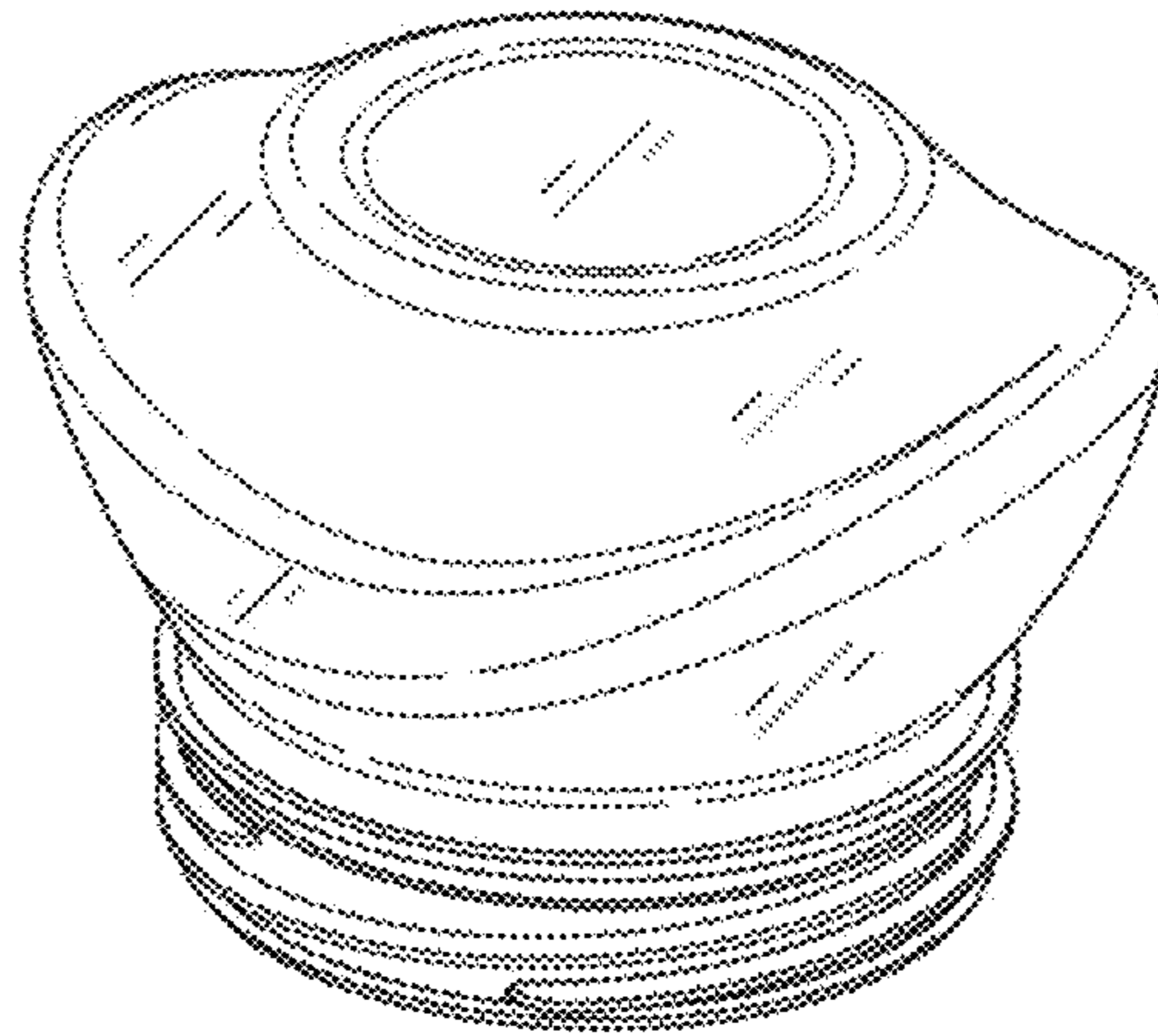


FIG. 1

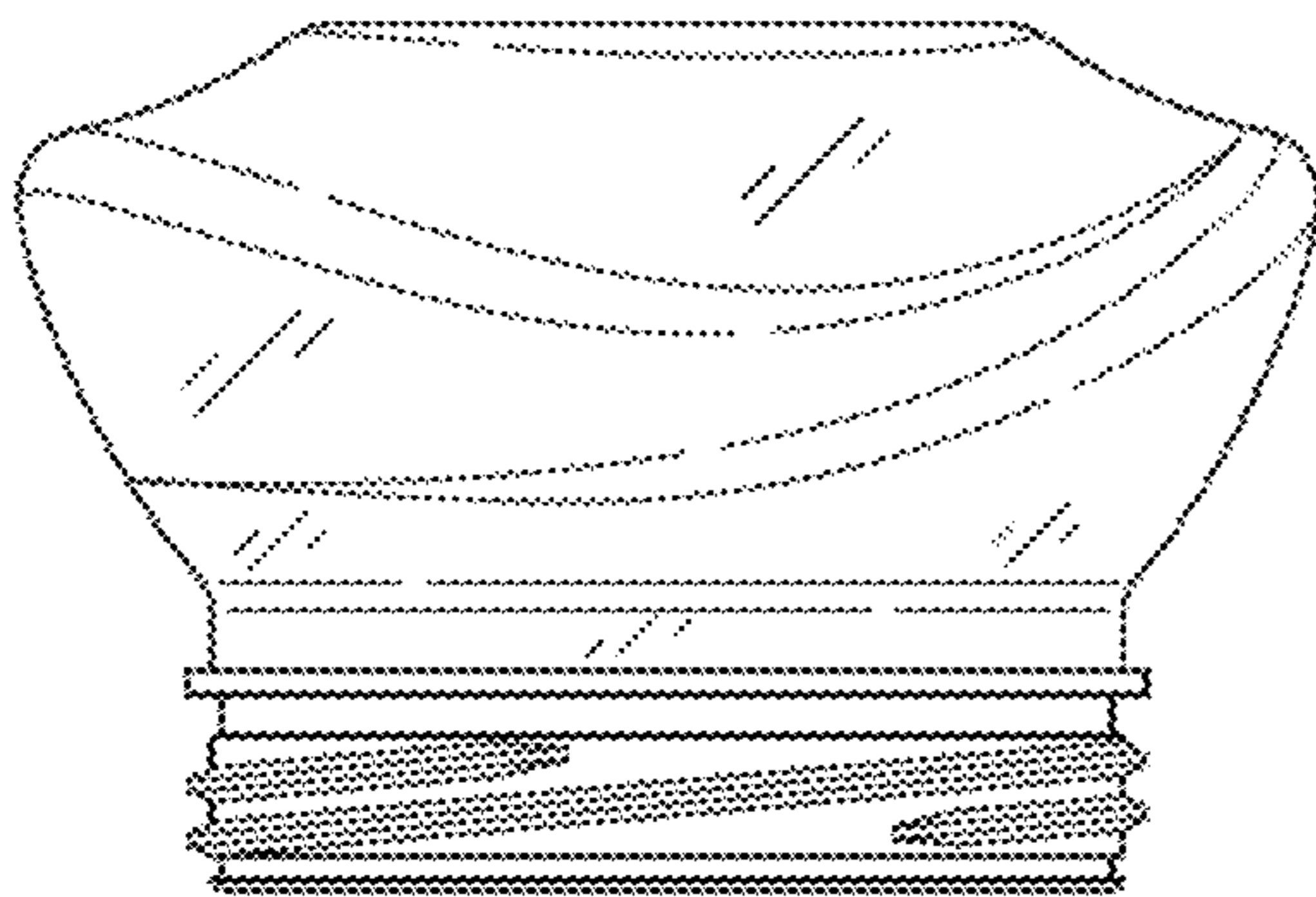


FIG. 2

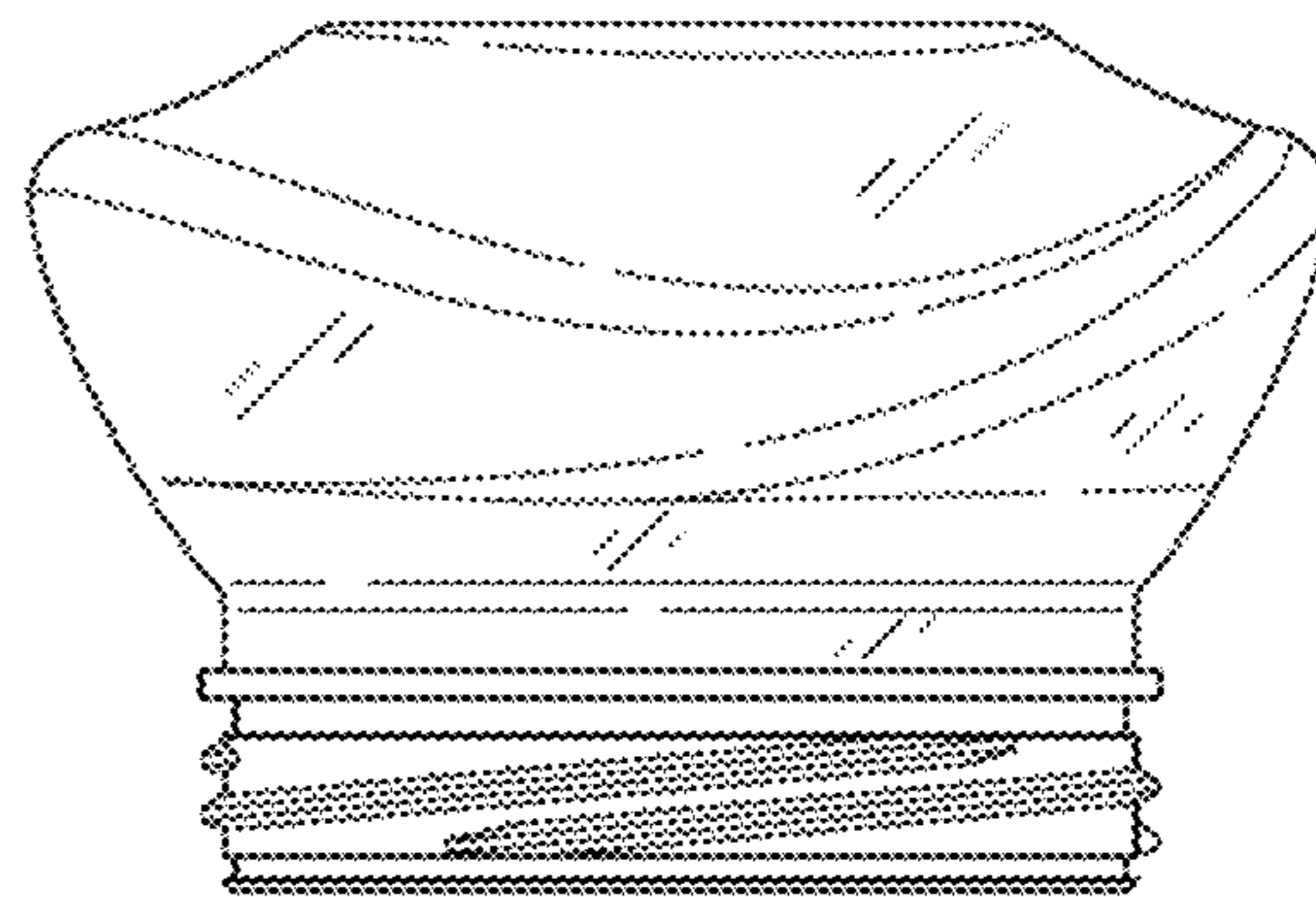


FIG. 3

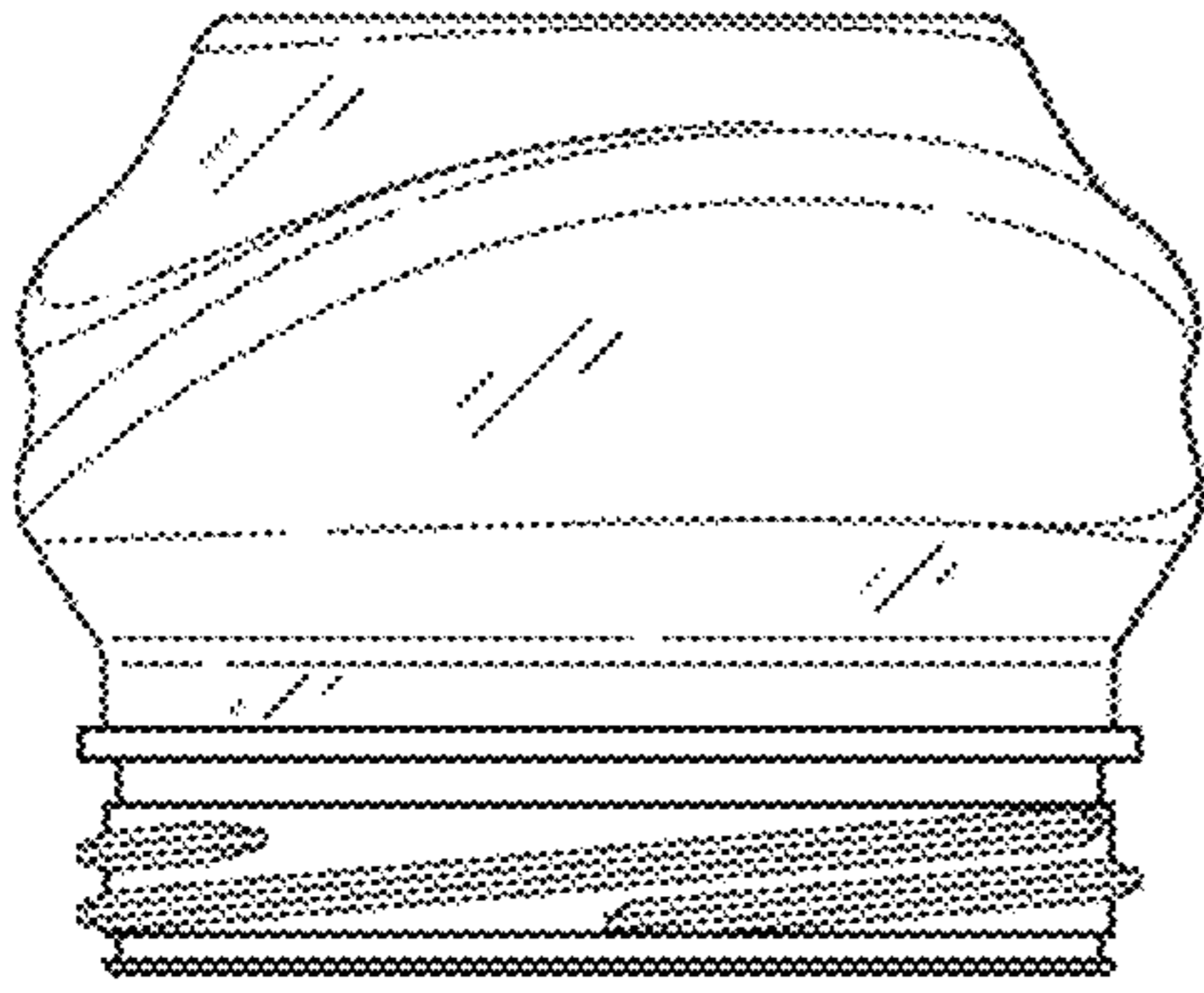


FIG. 4

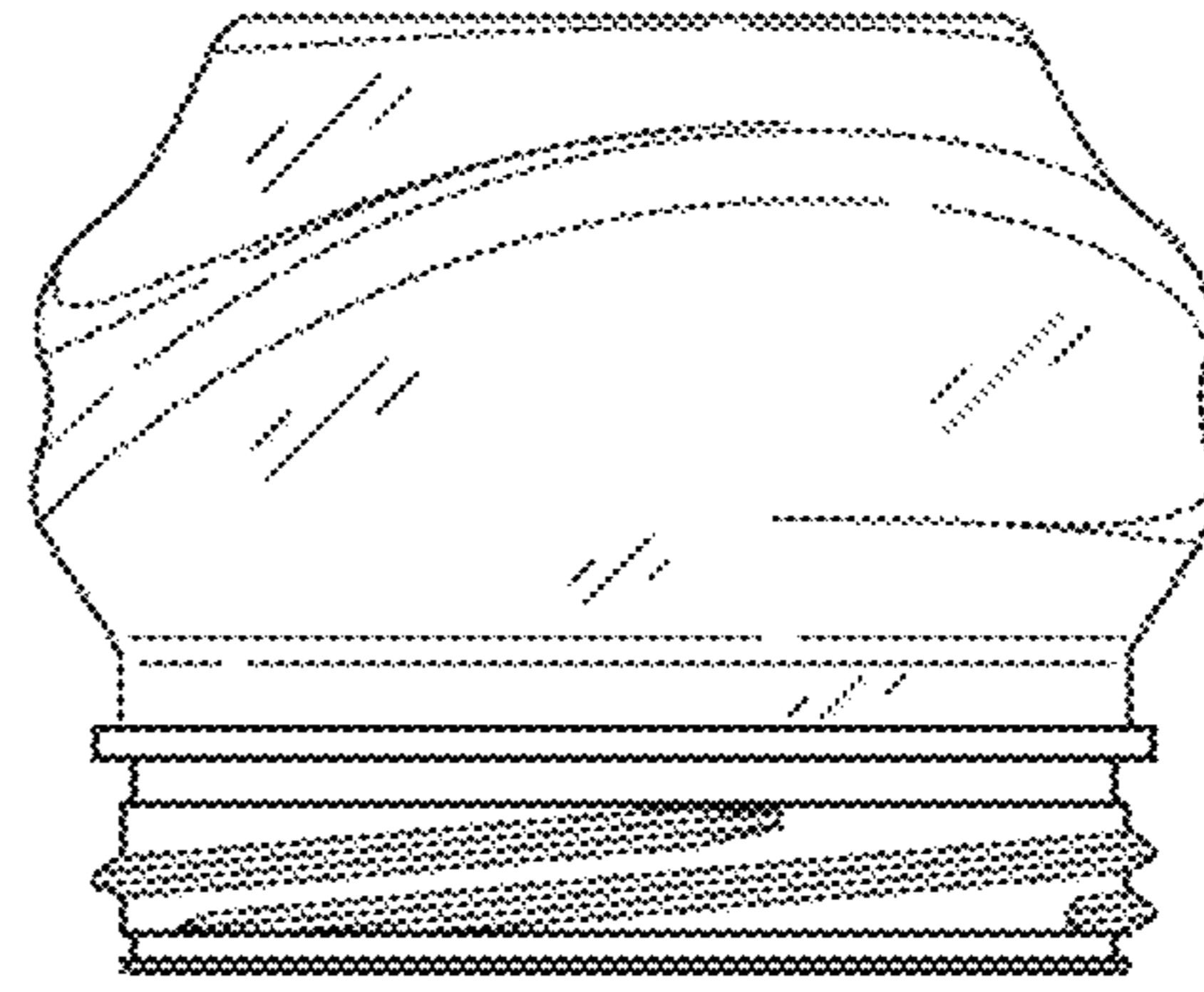


FIG. 5

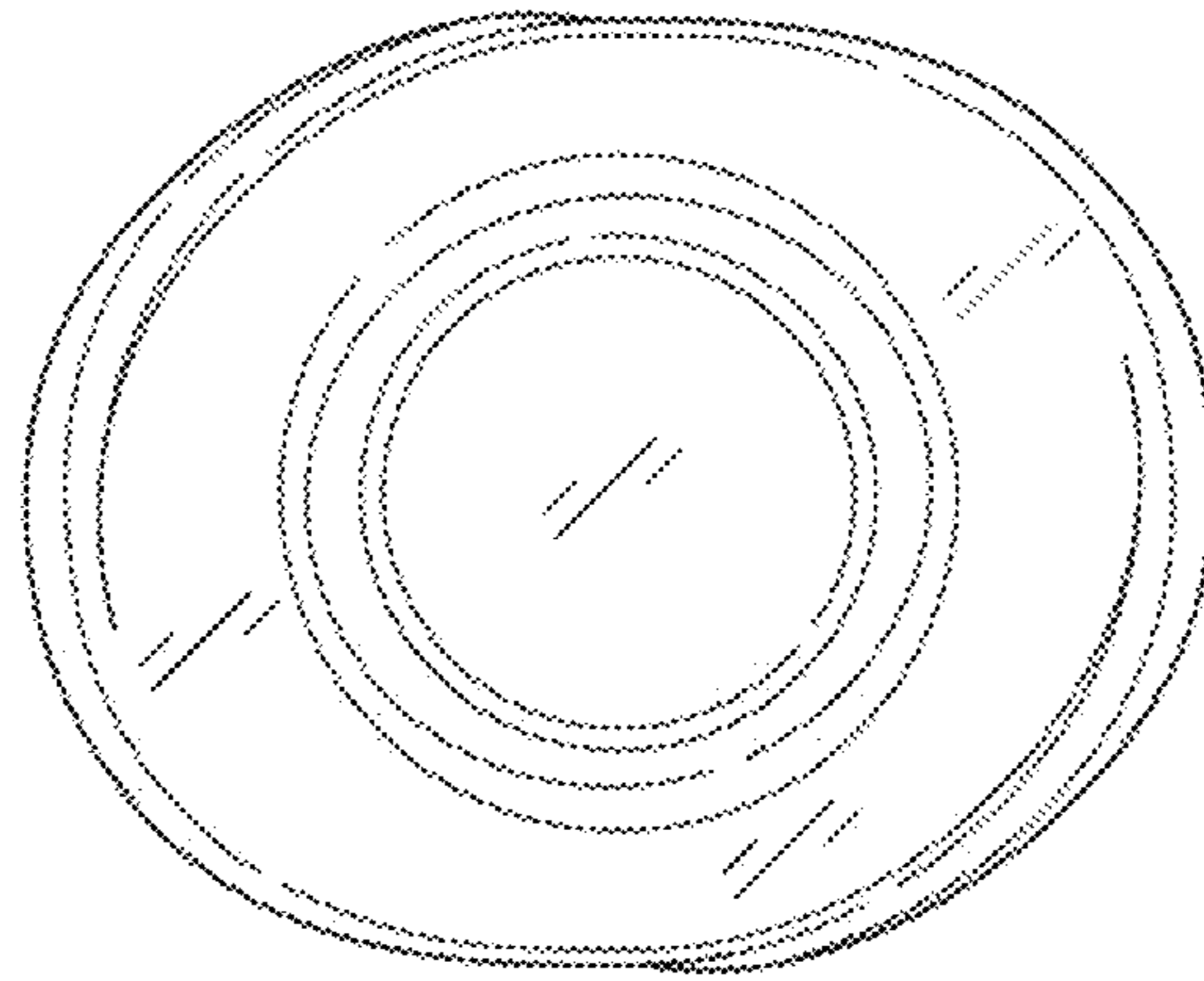


FIG. 6

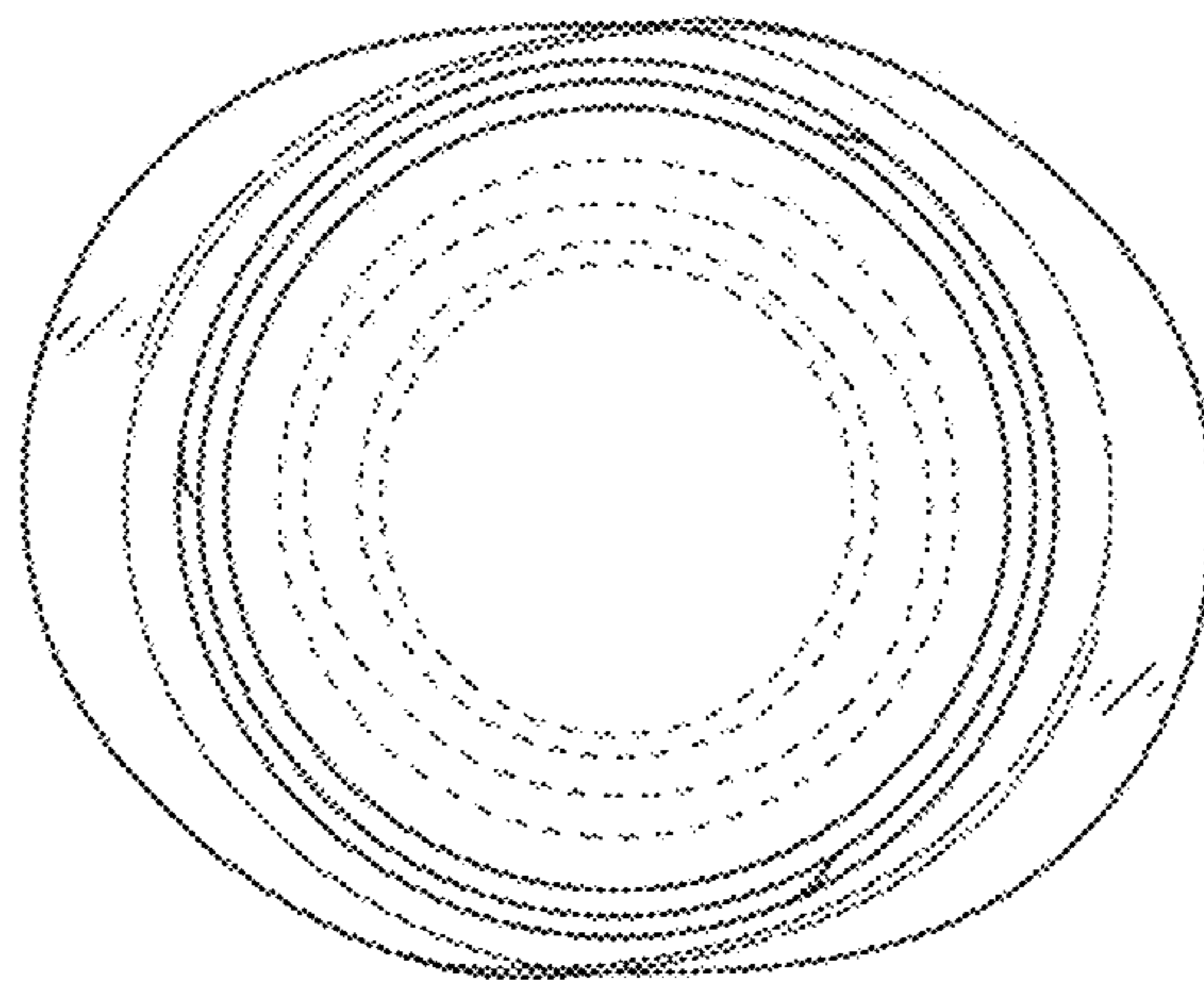


FIG. 7

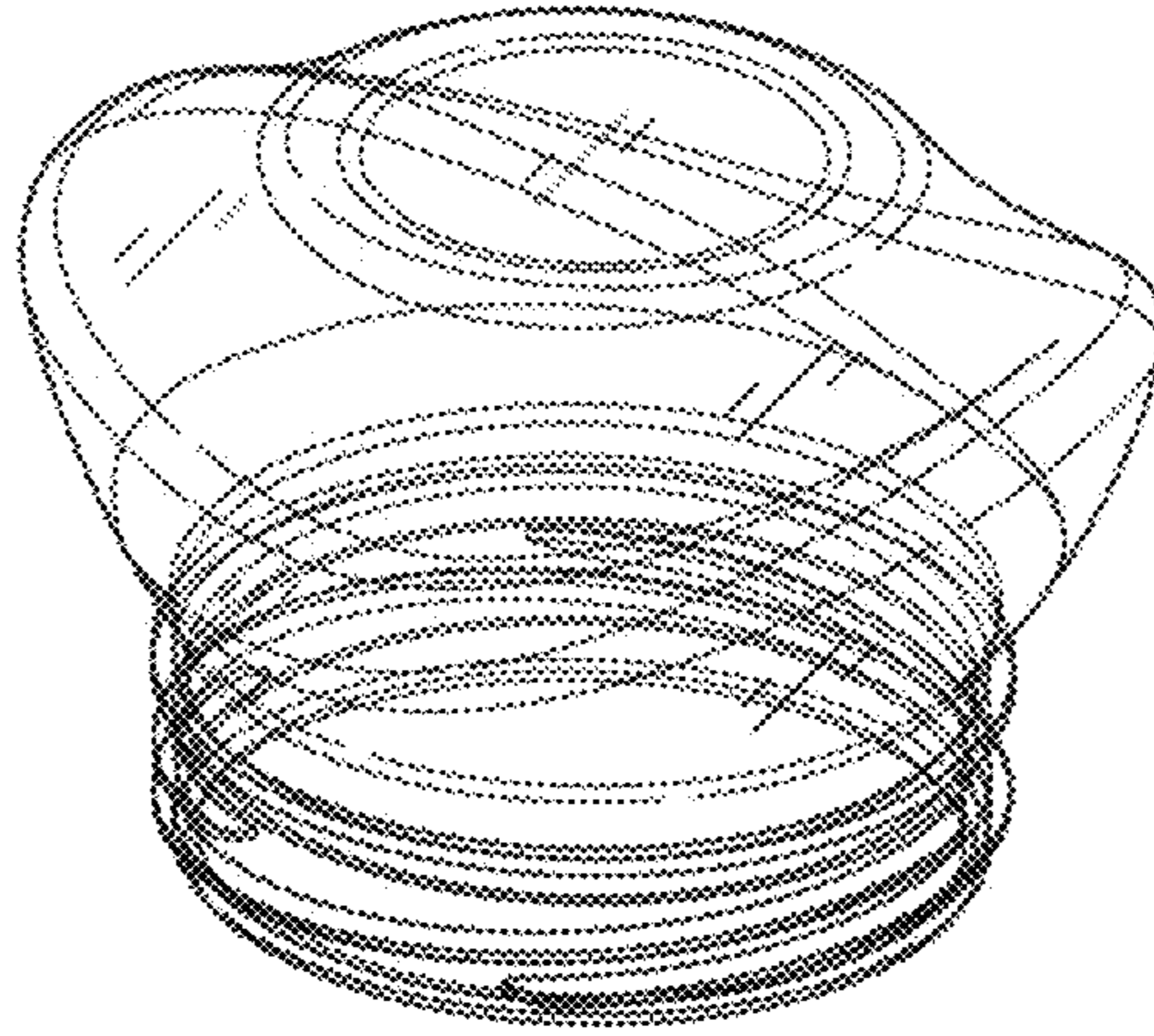


FIG. 8

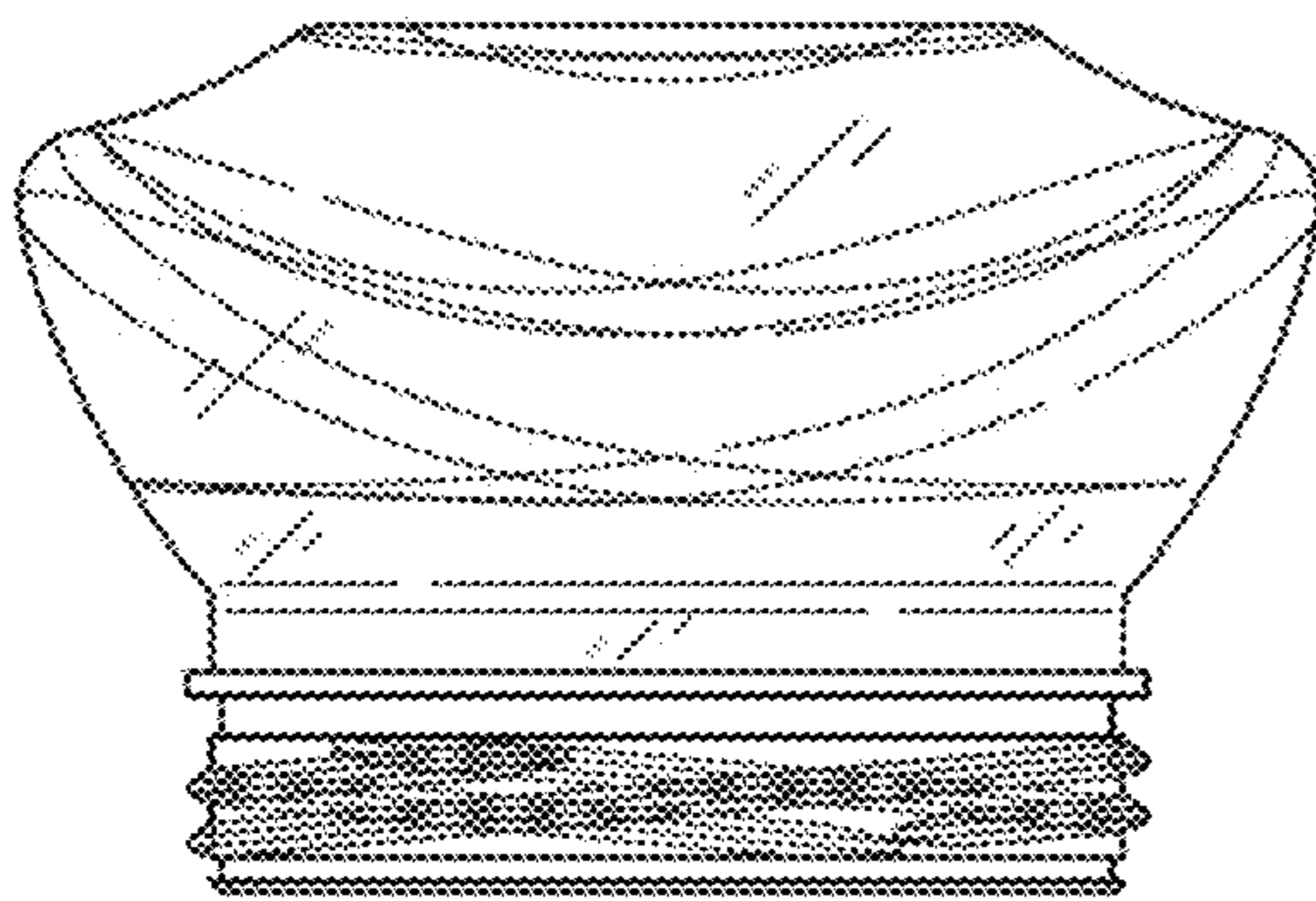


FIG. 9

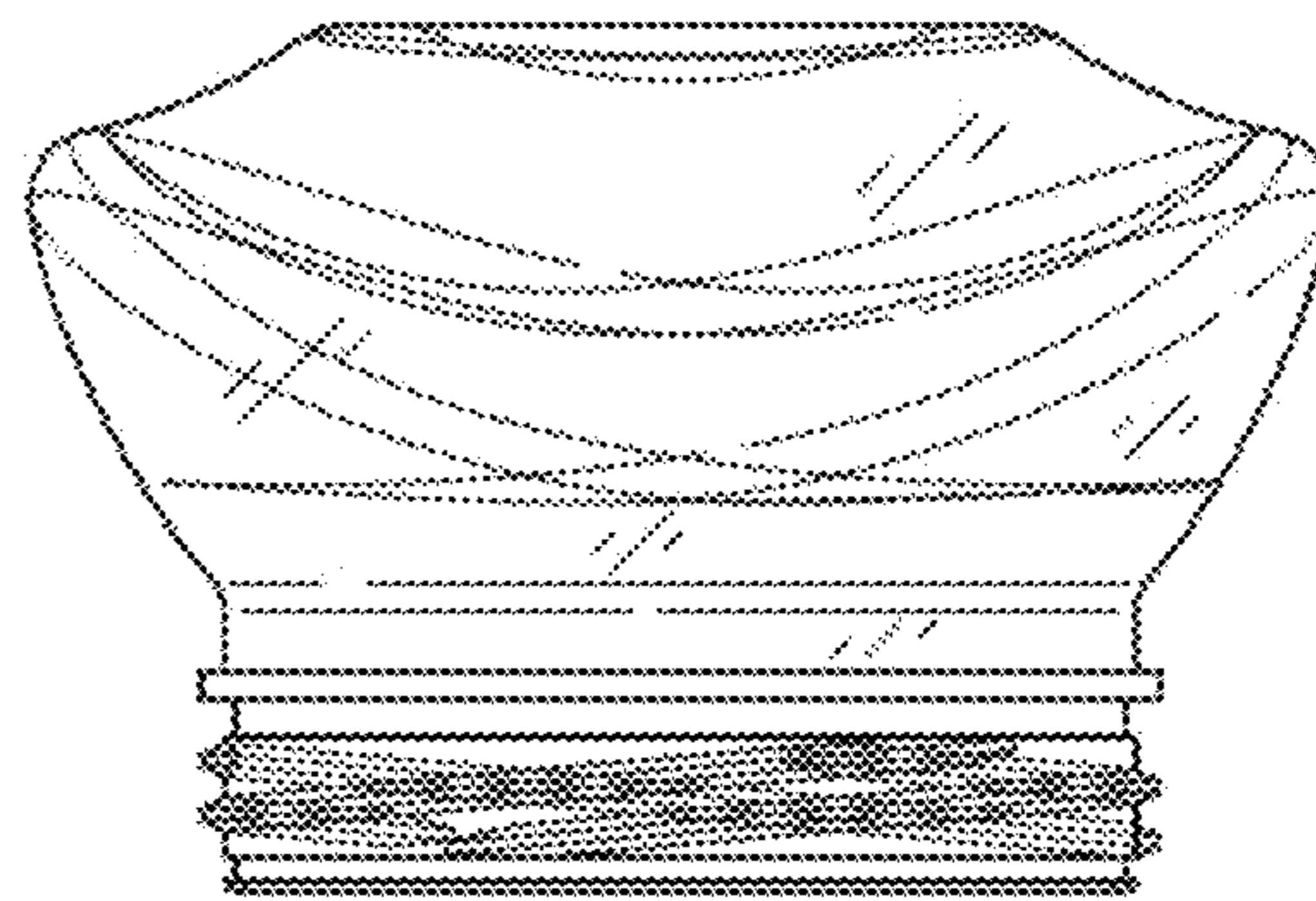


FIG. 10

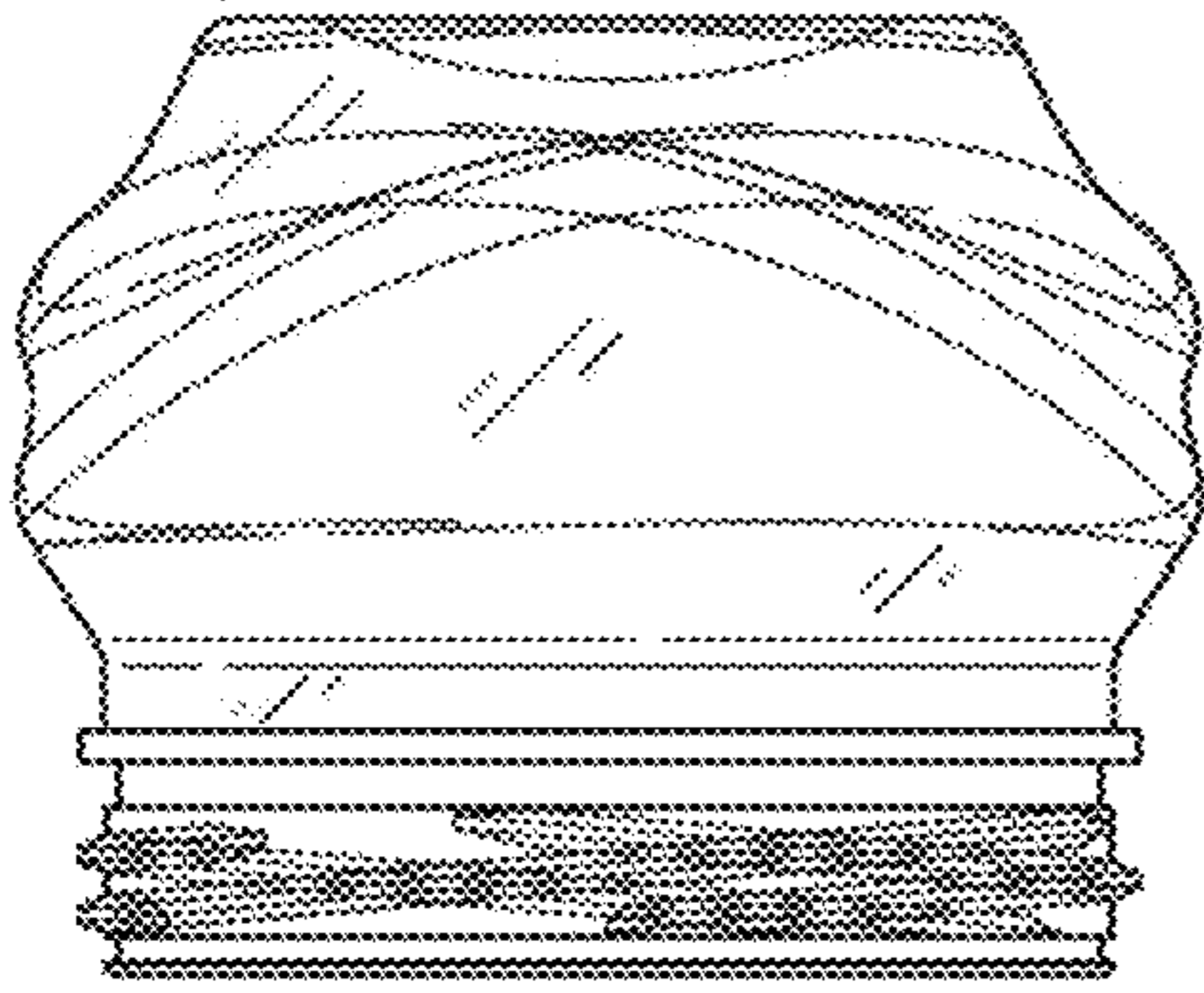


FIG. 11

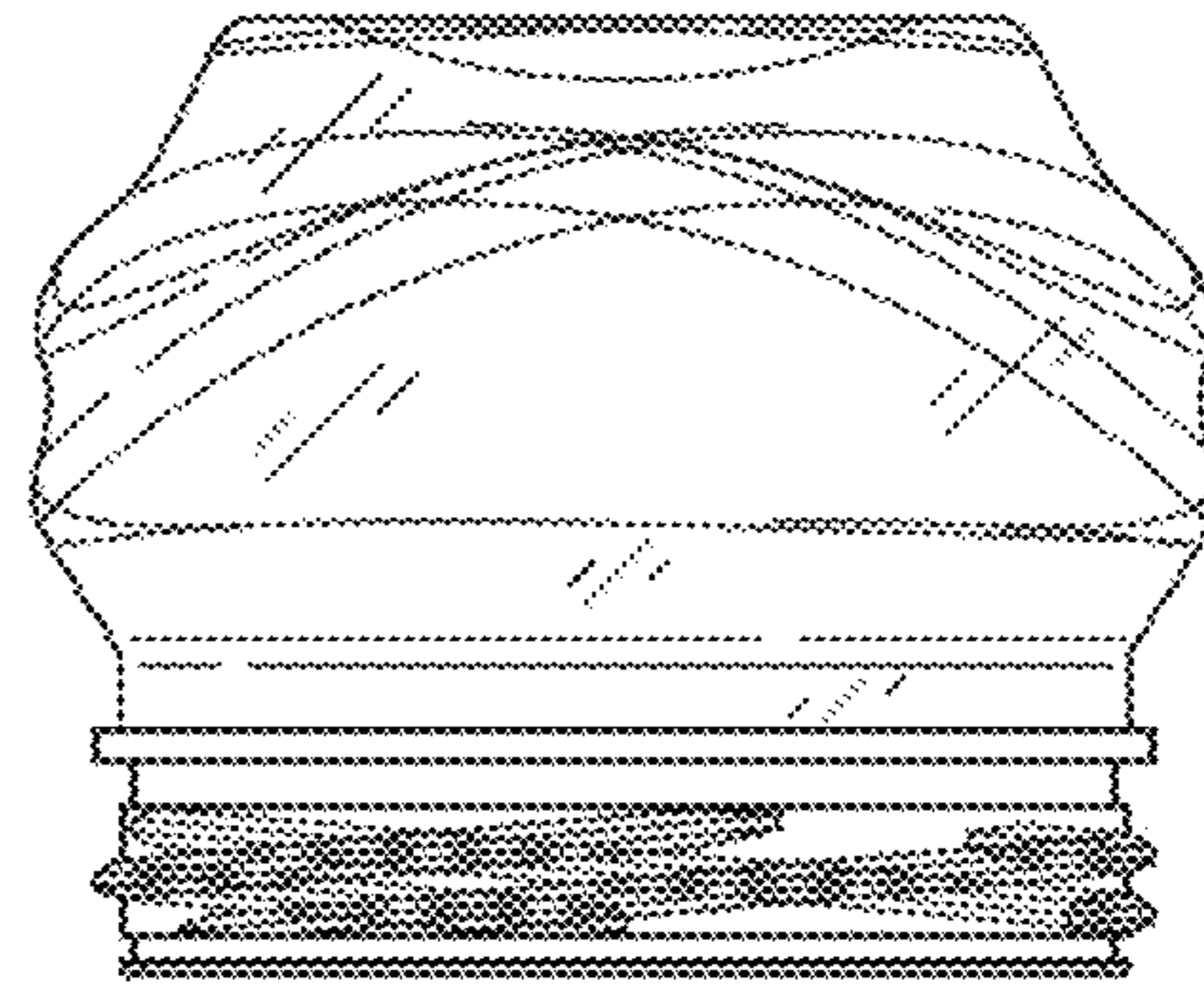


FIG. 12

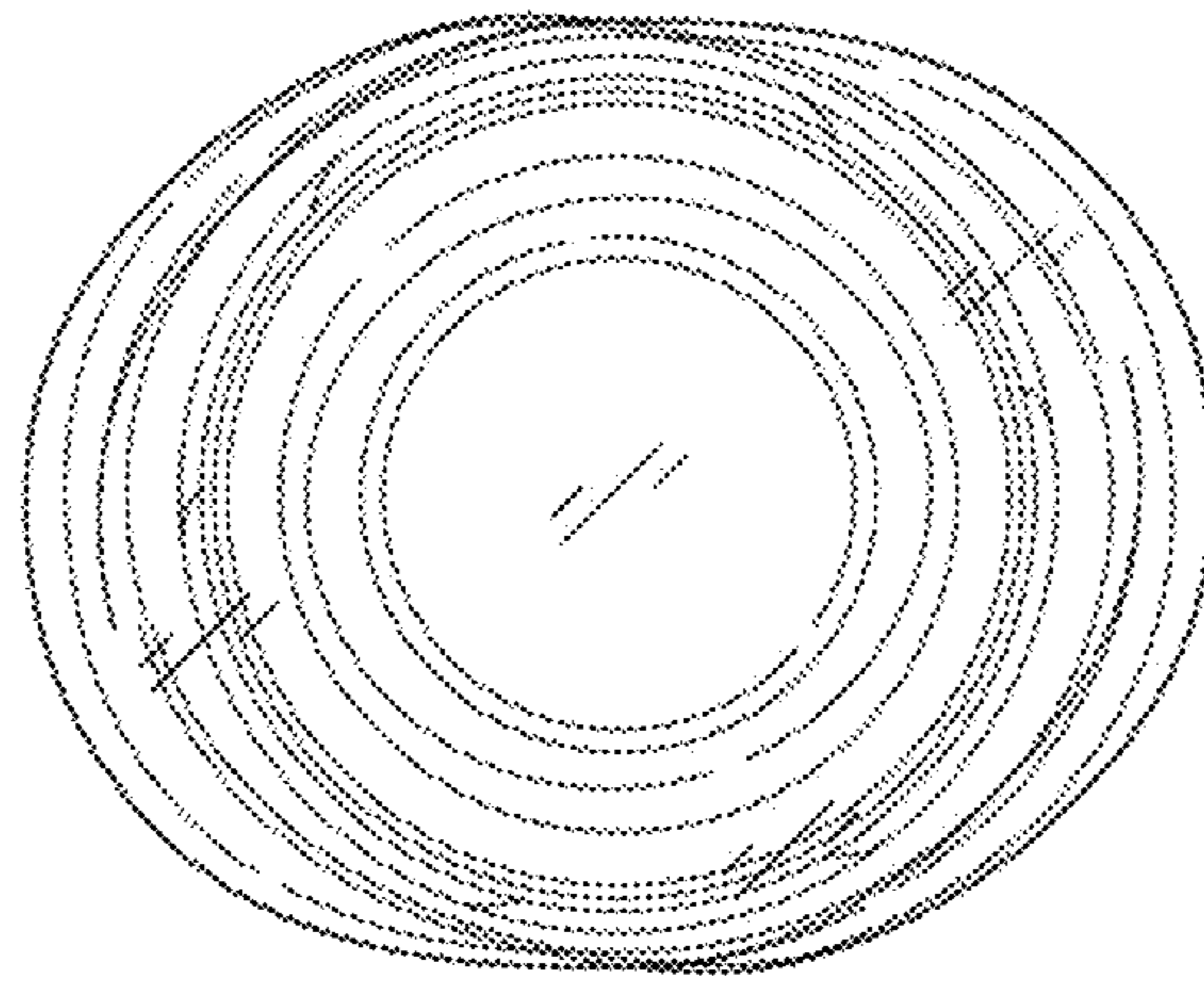


FIG. 13

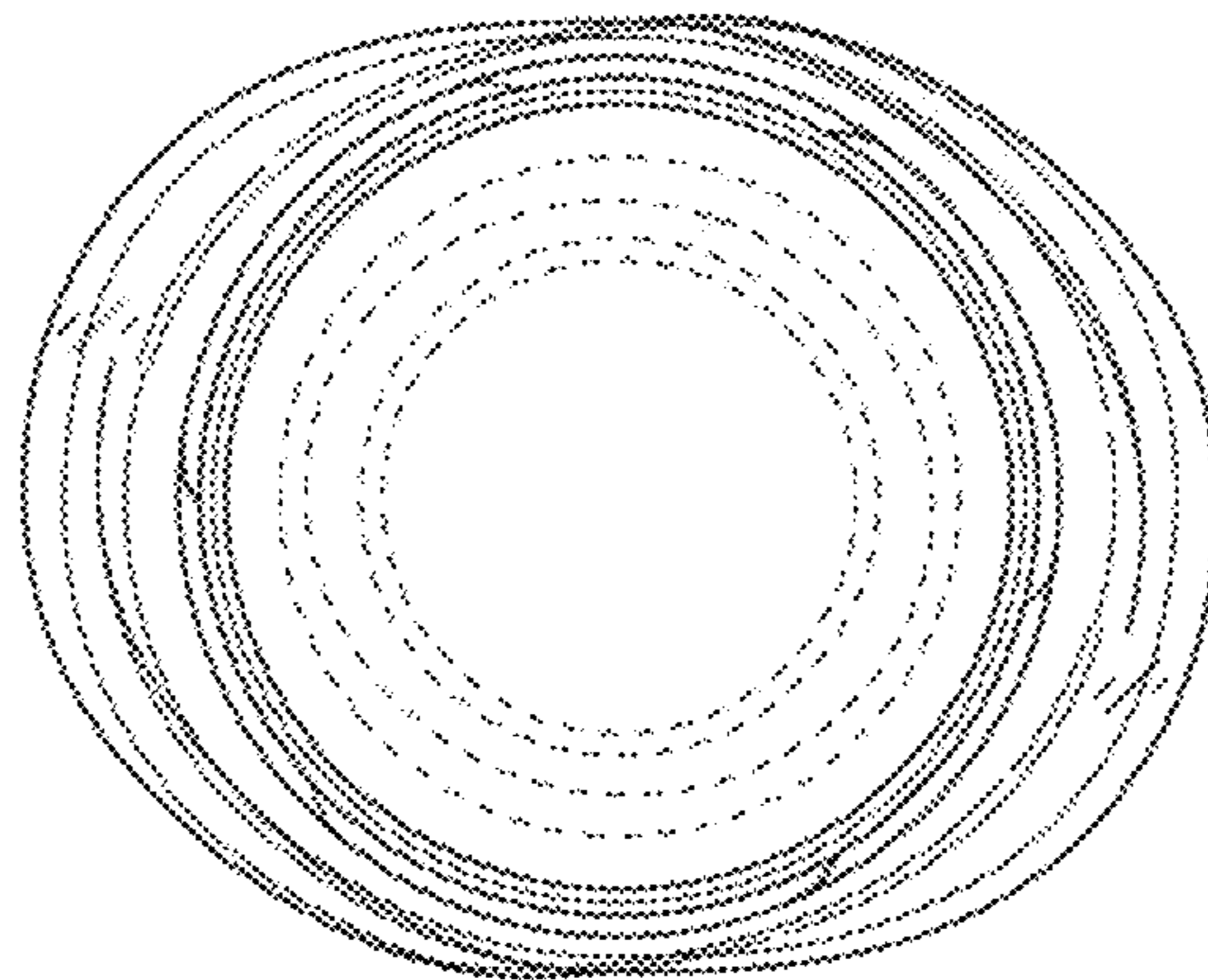


FIG. 14