



US00D877616S

(12) **United States Design Patent**
Berroa Garcia

(10) **Patent No.:** **US D877,616 S**
(45) **Date of Patent:** **** Mar. 10, 2020**

(54) **CAP**
(71) Applicant: **BETAPACK, S.A.U.**, Irun (Guipuzcoa) (ES)
(72) Inventor: **Francisco Javier Berroa Garcia**, Irun (ES)
(73) Assignee: **BETAPACK, S.A.U.** (ES)
(**) Term: **15 Years**

D480,305 S * 10/2003 Nusbaum D9/435
D592,057 S * 5/2009 Guerin D9/449
7,611,025 B2 * 11/2009 Nusbaum B65D 47/0838
215/235
D608,199 S * 1/2010 Gross D9/449
D612,729 S * 3/2010 Lohrman D9/449
D625,605 S * 10/2010 Bardet D9/449
D630,093 S * 1/2011 Bardet D9/438
D640,134 S * 6/2011 Rognard D9/447
D672,650 S * 12/2012 Wisniewski D9/443
D673,042 S * 12/2012 Antier D9/443

(Continued)

(21) Appl. No.: **29/591,510**

FOREIGN PATENT DOCUMENTS

(22) Filed: **Jan. 20, 2017**

EM 002735795-0001 * 7/2015

(30) **Foreign Application Priority Data**

Jul. 22, 2016 (EM) 003316645-0001

Primary Examiner — Michael A. Pratt

Assistant Examiner — Wendy L Arminio

(51) **LOC (12) Cl.** **09-07**

(74) *Attorney, Agent, or Firm* — Knobbe, Martens, Olson & Bear, LLP

(52) **U.S. Cl.**

USPC **D9/449**

(58) **Field of Classification Search**

USPC D9/414, 415, 424, 425, 434, 435, 436, D9/443, 444-452, 454-456, 499, 529, D9/682, 685, 686; D7/387, 391, 392, D7/392.1, 396.1, 396.2, 396.3, 396.4, D7/397, 398, 401.1, 507, 509-511, 538, D7/900; D3/202, 203.2; D28/91, 91.1
CPC .. A61J 1/00; A61J 1/1412; B65D 1/00; B65D 1/02; B65D 1/10; B65D 1/46; B65D 2585/56; B65D 2585/545; B65D 41/00; B65D 41/38; B65D 41/56; B65D 41/62; B65D 47/00; B65D 47/06; B65D 47/08; B65D 2543/00046; B65D 2543/00092; B65D 2543/00296; B65D 5/46; B65D 2251/00

See application file for complete search history.

(57) **CLAIM**

The ornamental design for a cap, as shown and described.

DESCRIPTION

FIG. 1 is a top-front-left perspective view of a cap, showing my new design.

FIG. 2 is a front elevational view thereof.

FIG. 3 is a top plan view thereof.

FIG. 4 is a right side elevational view thereof. A left side elevational view is a mirror image of the right side elevational view.

FIG. 5 is a rear elevational view thereof.

FIG. 6 is a bottom plan view thereof; and,

FIG. 7 is a top-rear-right perspective view thereof, showing a lid portion of the cap in an open position.

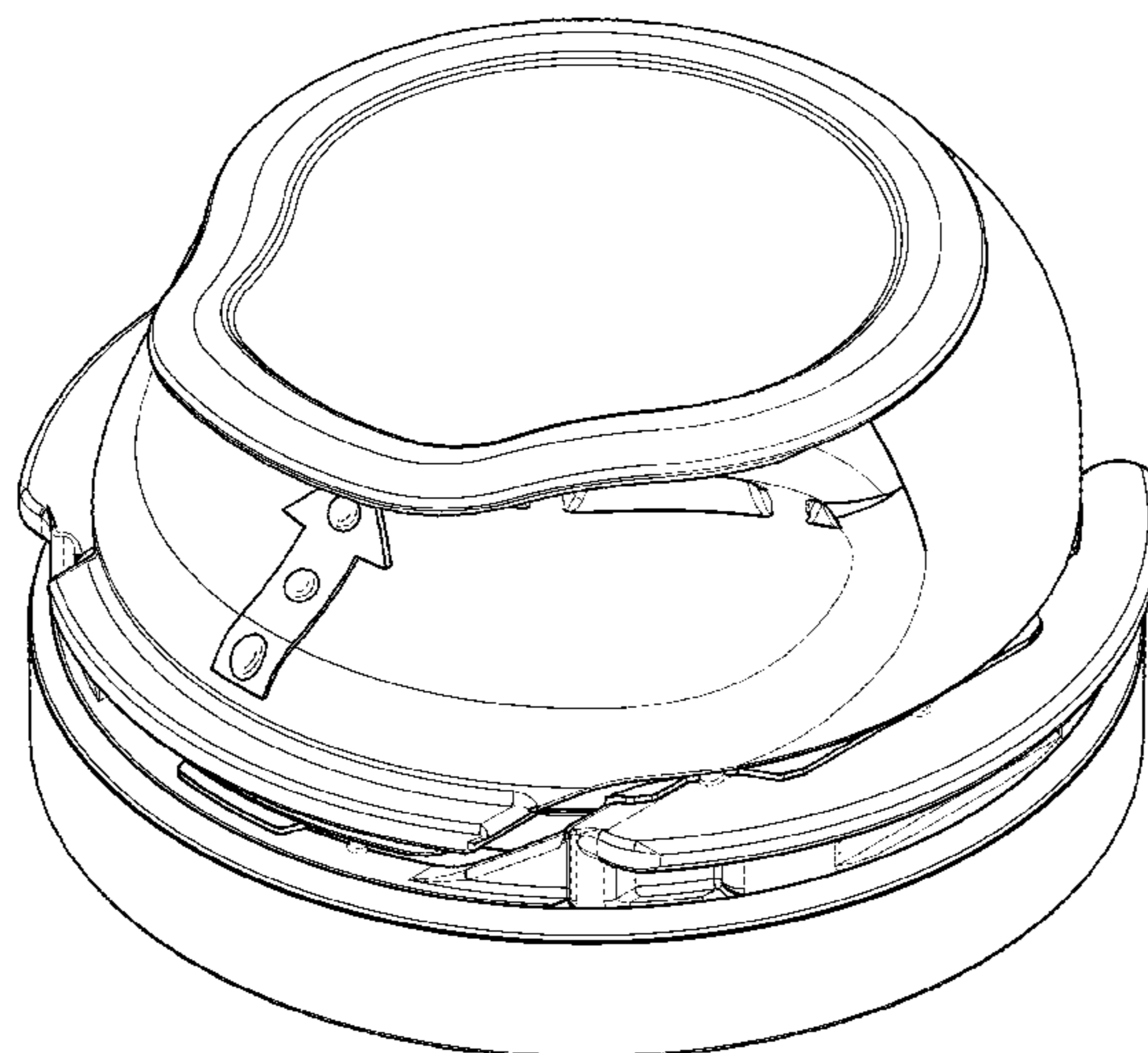
The broken lines in the drawings depict environmental features that form no part of the claimed design.

(56) **References Cited**

U.S. PATENT DOCUMENTS

D265,060 S * 6/1982 Blank D9/446
D306,265 S * 2/1990 Leebeek D9/435

1 Claim, 7 Drawing Sheets



(56)

References Cited

U.S. PATENT DOCUMENTS

D673,043	S	*	12/2012	Antier	D9/443
D673,044	S	*	12/2012	Wisniewski	D9/443
D738,737	S	*	9/2015	McCay	D9/449
D768,490	S	*	10/2016	Robinson	D9/449
D784,808	S	*	4/2017	Berroa Garcia	D9/434
D837,650	S	*	1/2019	Rognard	D9/449

* cited by examiner

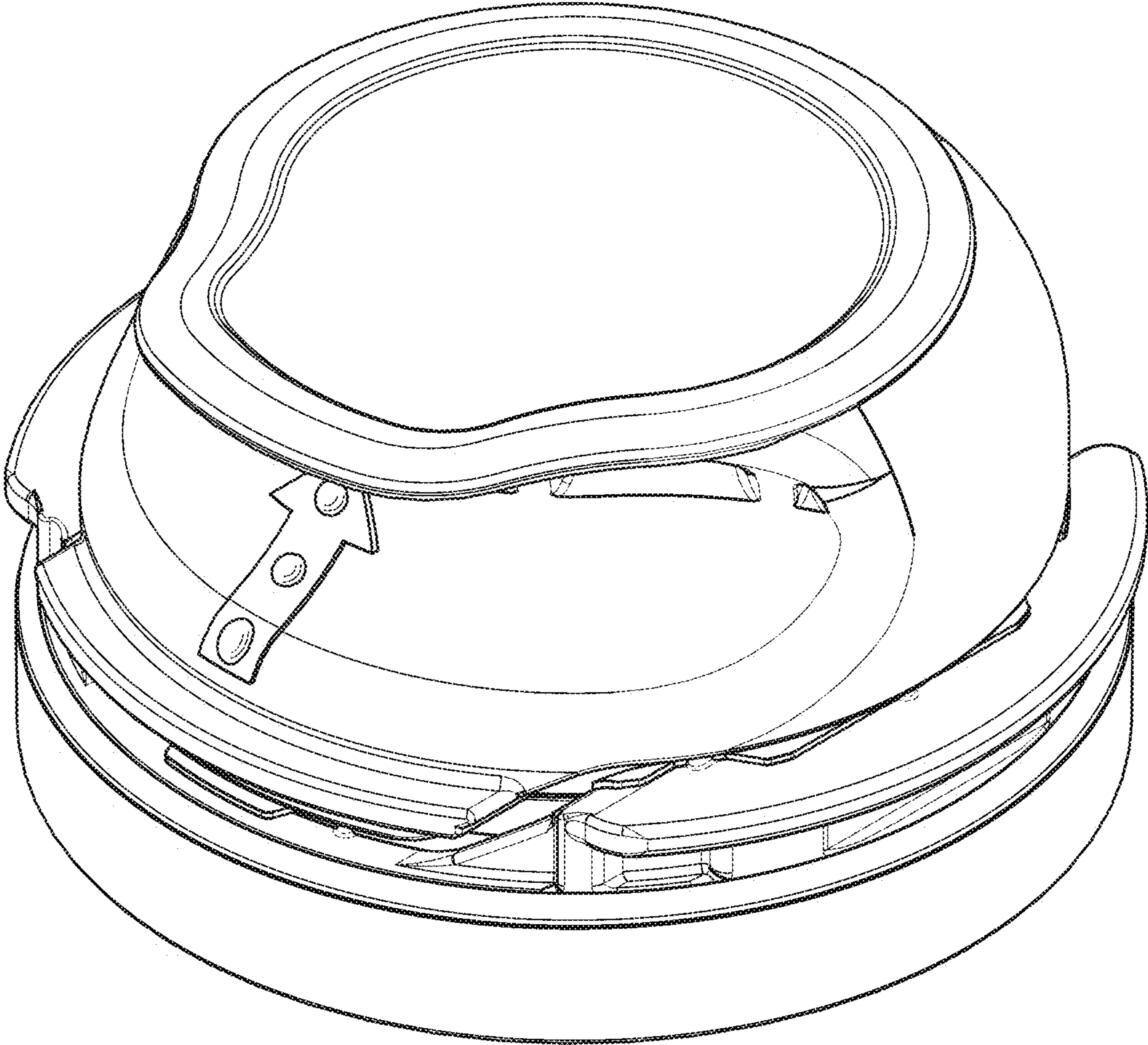


FIG. 1

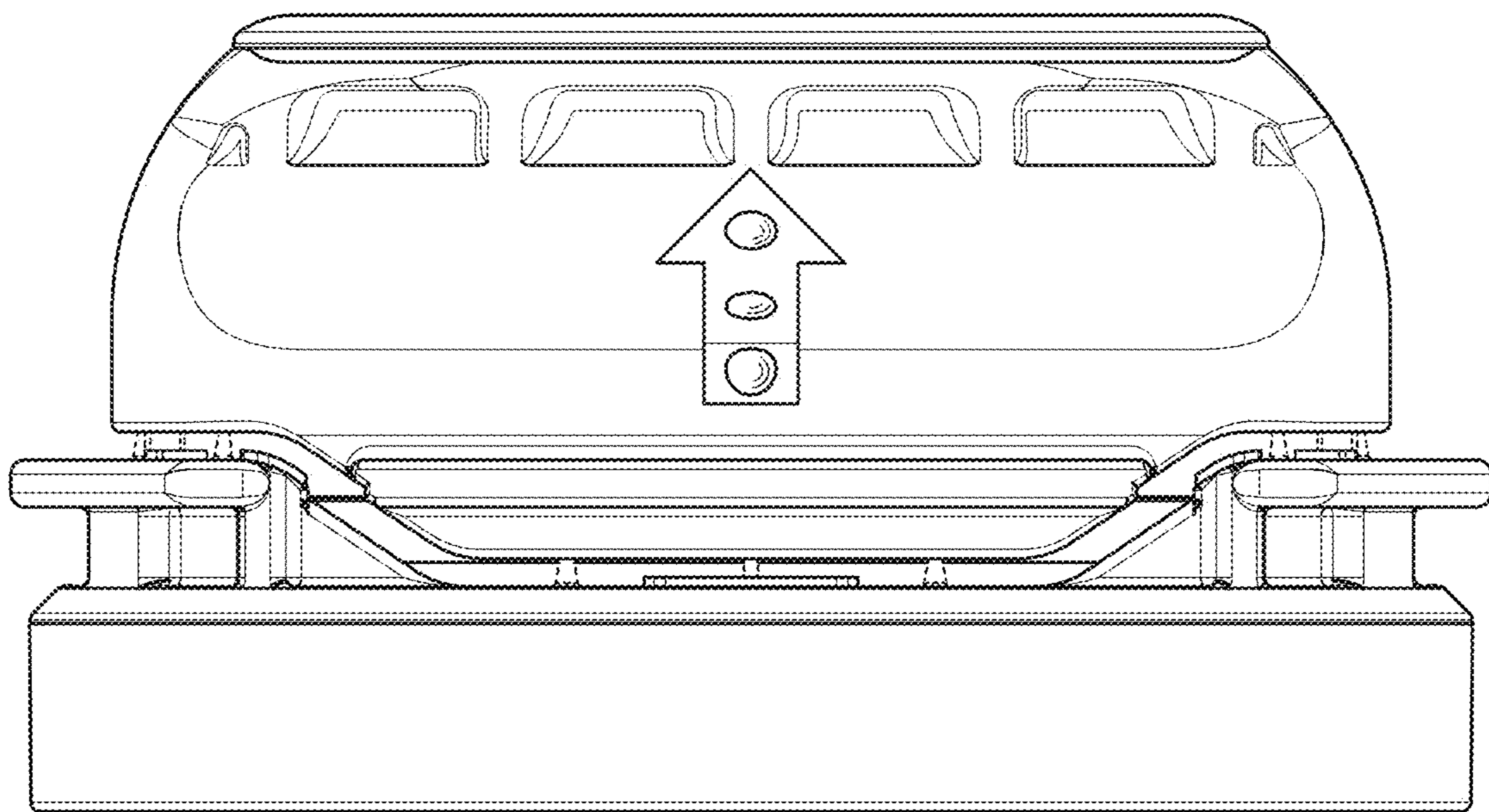


FIG. 2

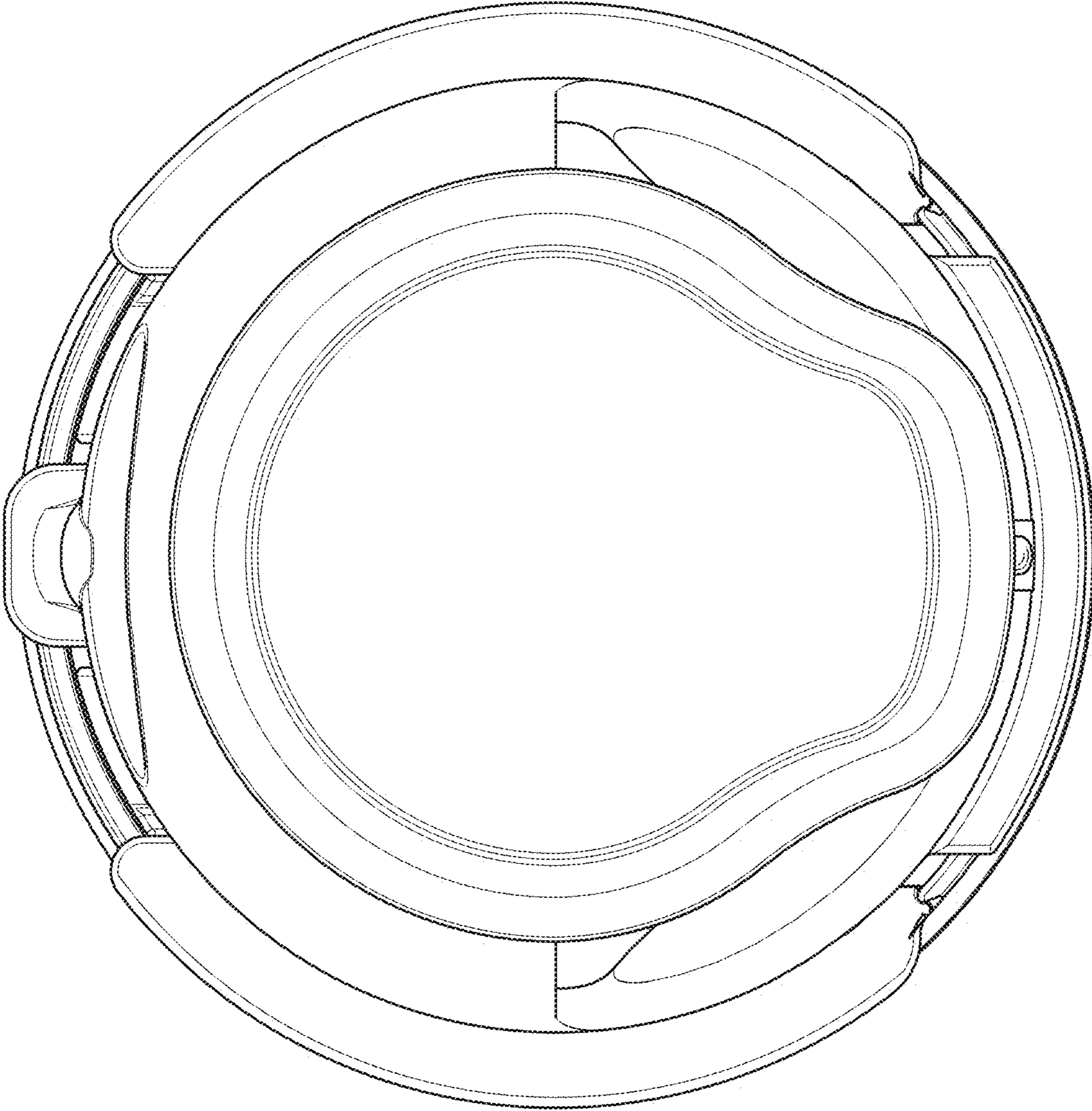


FIG. 3

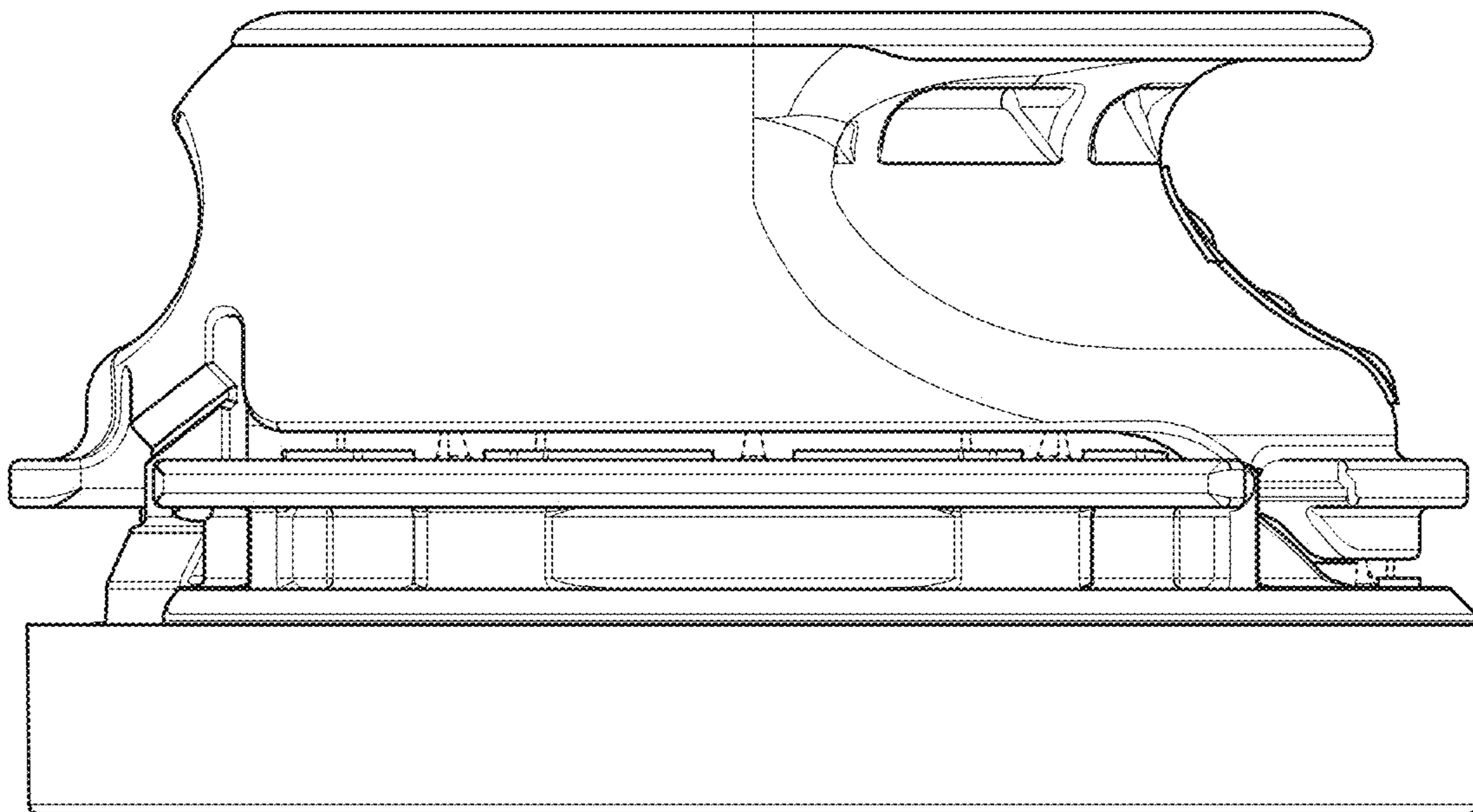


FIG. 4

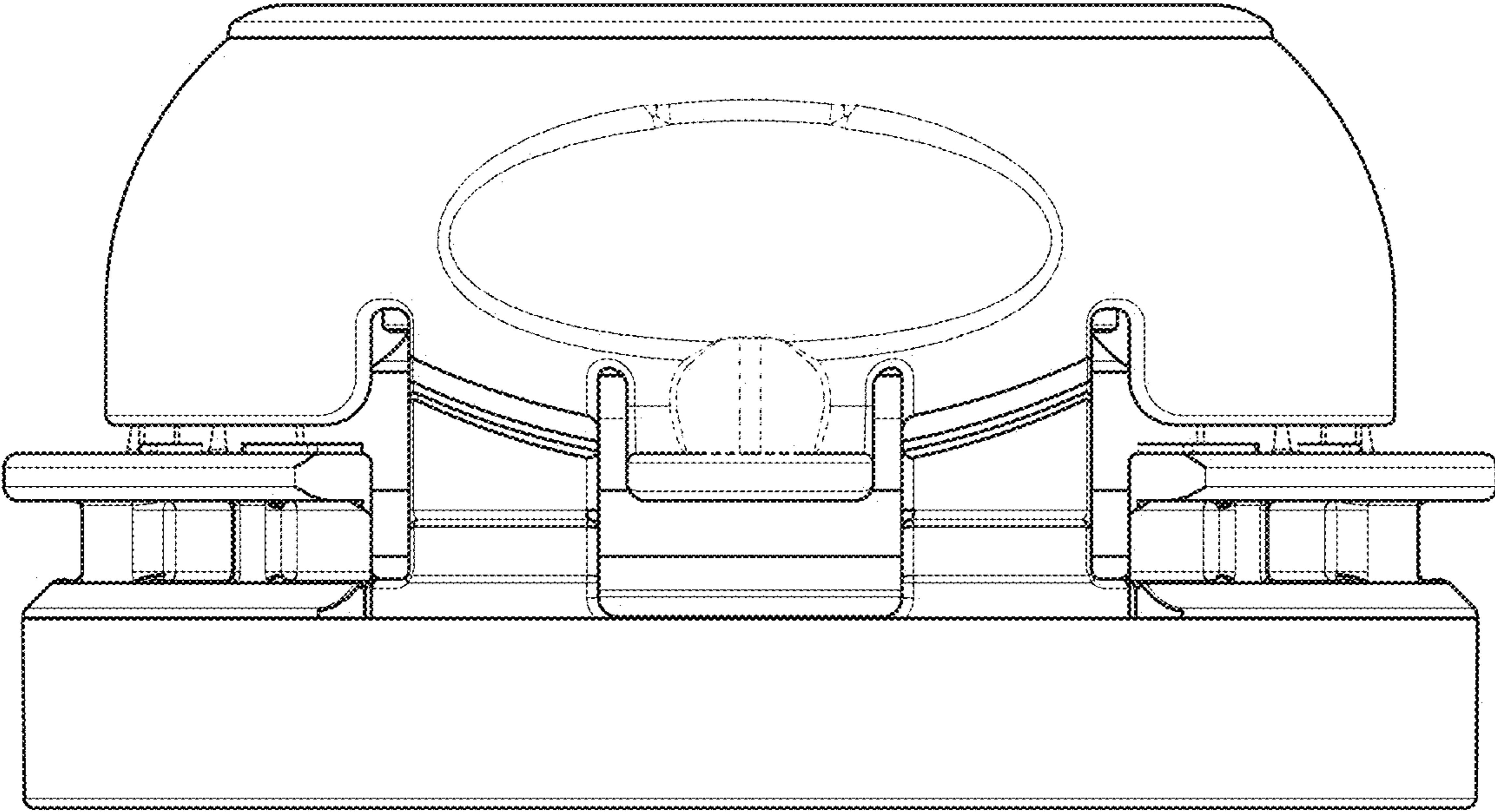


FIG. 5



FIG. 6

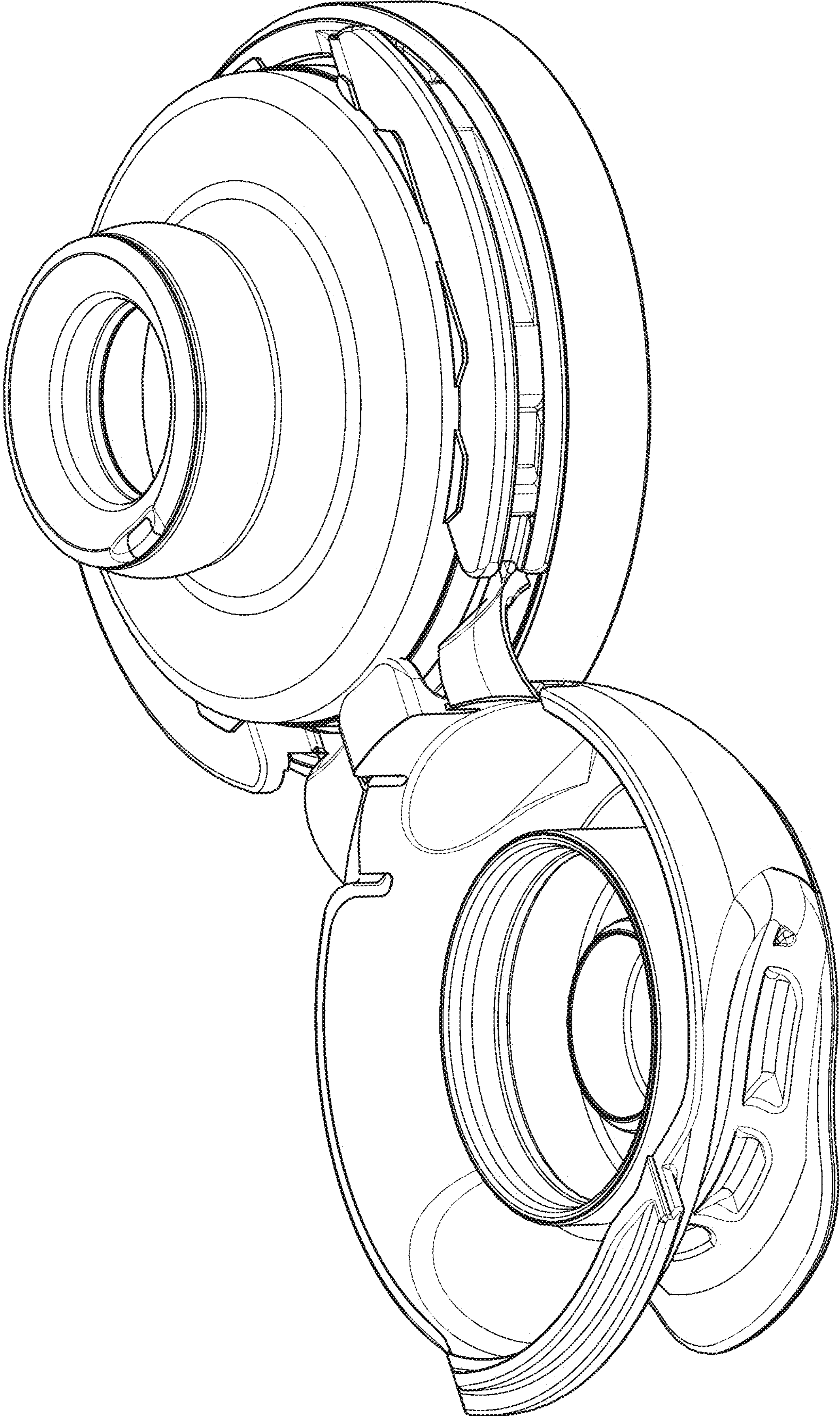


FIG. 7