



US00D877612S

(12) **United States Design Patent** (10) **Patent No.:** **US D877,612 S**  
**Grill** (45) **Date of Patent:** **\*\* Mar. 10, 2020**

(54) **BAKED GOODS CONTAINER**

B65D 2543/00277; B65D 81/3453; A47G 19/02; A47G 19/065; A47G 23/0608; A47G 23/06

(71) Applicant: **Jason E. Grill**, Liberty Township, OH (US)

See application file for complete search history.

(72) Inventor: **Jason E. Grill**, Liberty Township, OH (US)

(56) **References Cited**

(\*\*) Term: **15 Years**

U.S. PATENT DOCUMENTS

(21) Appl. No.: **29/633,696**

D415,392 S *	10/1999	Wallays	.....	D7/601
D539,612 S *	4/2007	Foss	.....	D7/629
D583,659 S *	12/2008	Lyon	.....	D9/737
D621,616 S *	8/2010	Tussy	.....	D3/269
D637,482 S *	5/2011	Snedden	.....	D9/425
D637,483 S *	5/2011	Snedden	.....	D9/425

(22) Filed: **Jan. 15, 2018**

(Continued)

(51) **LOC (12) Cl.** ..... **09-03**

(52) **U.S. Cl.**  
USPC ..... **D9/426; D9/761; D7/703**

(58) **Field of Classification Search**  
USPC ..... D9/341, 347, 414-432, 440, 444, 447, D9/449-454, 503, 504, 737, 759, 761, D9/456; D7/672, 601, 550.1, 551.1, D7/551.2, 551.3, 552.1, 552.2, 553.1, D7/553.2, 553.4, 553.5, 553.7, 553.8, D7/554.1, 554.3, 555, 557, 602, 629, 630, D7/538-542, 612-615, 584, 586, 587, D7/392.1, 709, 502, 608, 622, 701, 703, D7/543-549, 317-319, 391, 392, 396.2, D7/510, 511; D3/273, 201-206, 276, D3/283, 284, 295, 274, 302; D11/143; 220/575, 500, 505-507, 523, 553, 555, 220/556; 206/216, 217, 541-550, 518, 206/557, 558, 561, 564, 223, 467; 229/107, 406, 120, 125.17; 249/126, 249/134; 426/106; 215/211, 200, 224, 215/243

CPC .... B65D 85/34; B65D 85/345; B65D 43/161; B65D 43/162; B65D 43/16; B65D 51/28; B65D 2543/00194; B65D 2543/00296; B65D 1/24; B65D 21/0237; B65D 2543/00101; B65D 2543/00351; B65D 1/36; B65D 2543/00555; B65D 2581/3425; B65D 25/04; B65D 43/0218; B65D 2543/00083; B65D 2543/00268;

OTHER PUBLICATIONS

Muffin Fresh (via thegrommet.com), available Aug. 19, 2019, [online], [site visited Aug. 19, 2019]. Available from internet, URL: <https://www.thegrommet.com/muffin-fresh#> (Year: 2019).\*

*Primary Examiner* — W. A. Teddy Falloway  
(74) *Attorney, Agent, or Firm* — The Law Office of Patrick F. O'Reilly III, LLC

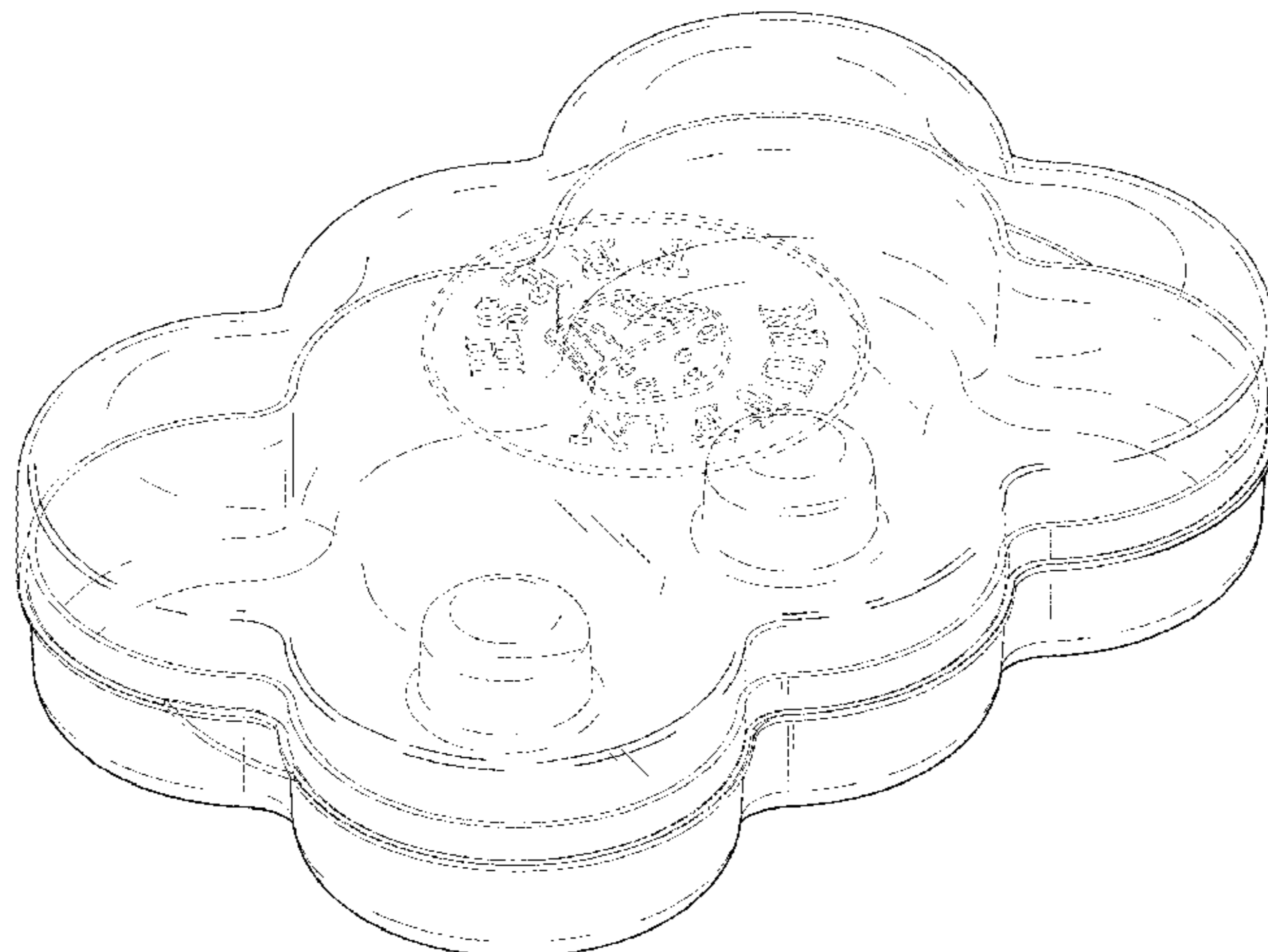
(57) **CLAIM**

The ornamental design for a baked goods container, as shown and described.

**DESCRIPTION**

FIG. 1 is a top perspective view of a baked goods container showing my new design;  
FIG. 2 is a top plan view thereof;  
FIG. 3 is a bottom plan view thereof;  
FIG. 4 is a left side elevational view thereof;  
FIG. 5 is a rear elevational view thereof;  
FIG. 6 is a right side elevational view thereof;  
FIG. 7 is a front elevational view thereof; and,  
FIG. 8 is a bottom perspective view thereof.

(Continued)



The broken lines shown illustrate portions of the baked goods container that form no part of the claimed design.

**1 Claim, 6 Drawing Sheets**

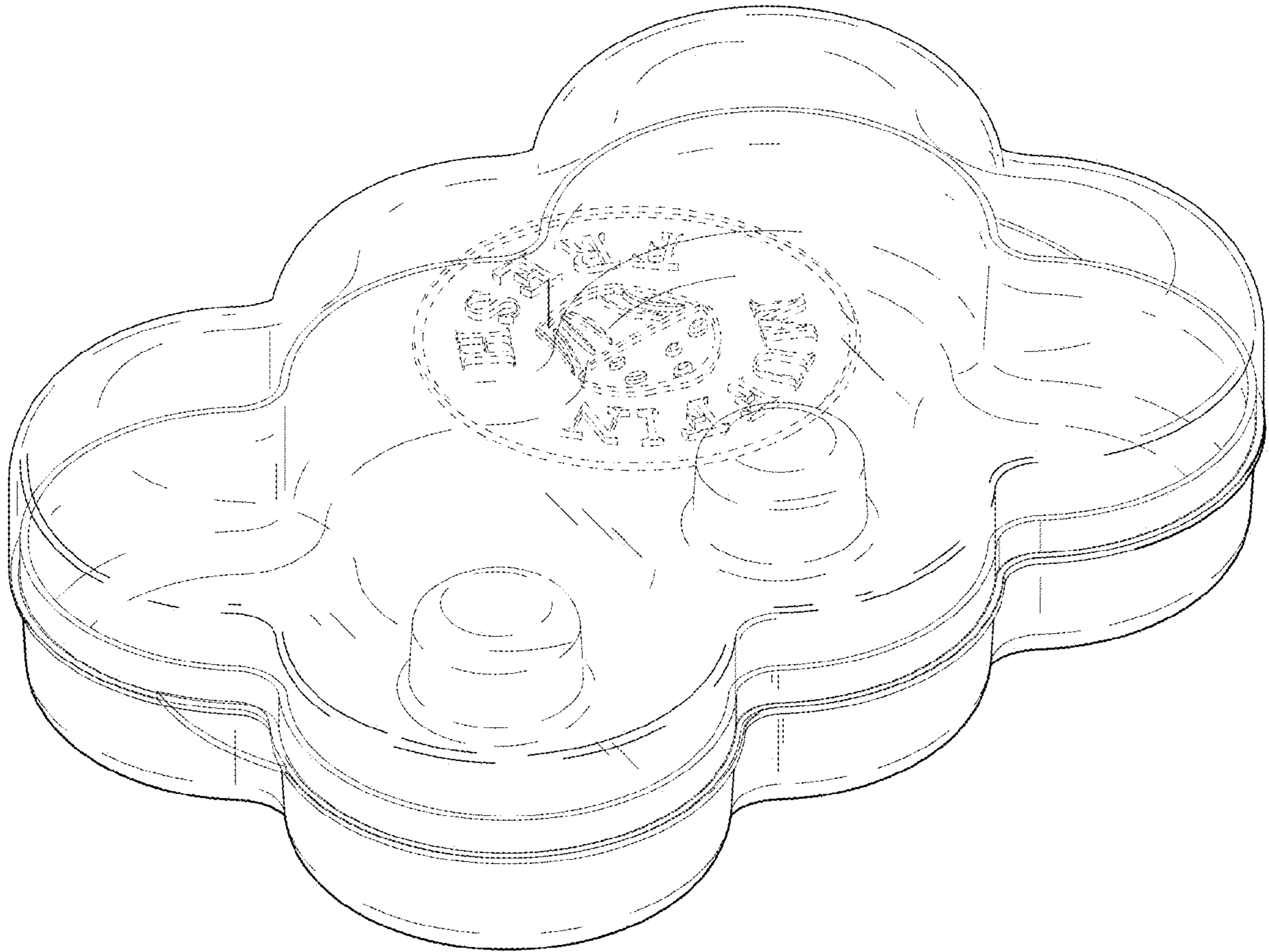
(56)

**References Cited**

U.S. PATENT DOCUMENTS

D756,217 S *	5/2016	Planer .....	D30/129
D758,183 S *	6/2016	Joergensen .....	D9/426
D764,275 S *	8/2016	Joergensen .....	D9/425
D774,387 S *	12/2016	Joergensen .....	D9/425
D774,903 S *	12/2016	Joergensen .....	D9/425
D823,122 S *	7/2018	Caly .....	D9/643
D828,759 S *	9/2018	Caly .....	D9/644
2009/0104314 A1 *	4/2009	Dellinger .....	A21B 3/13 426/72
2013/0004625 A1 *	1/2013	Brummer .....	B65D 1/36 426/119

\* cited by examiner



**FIG. 1**

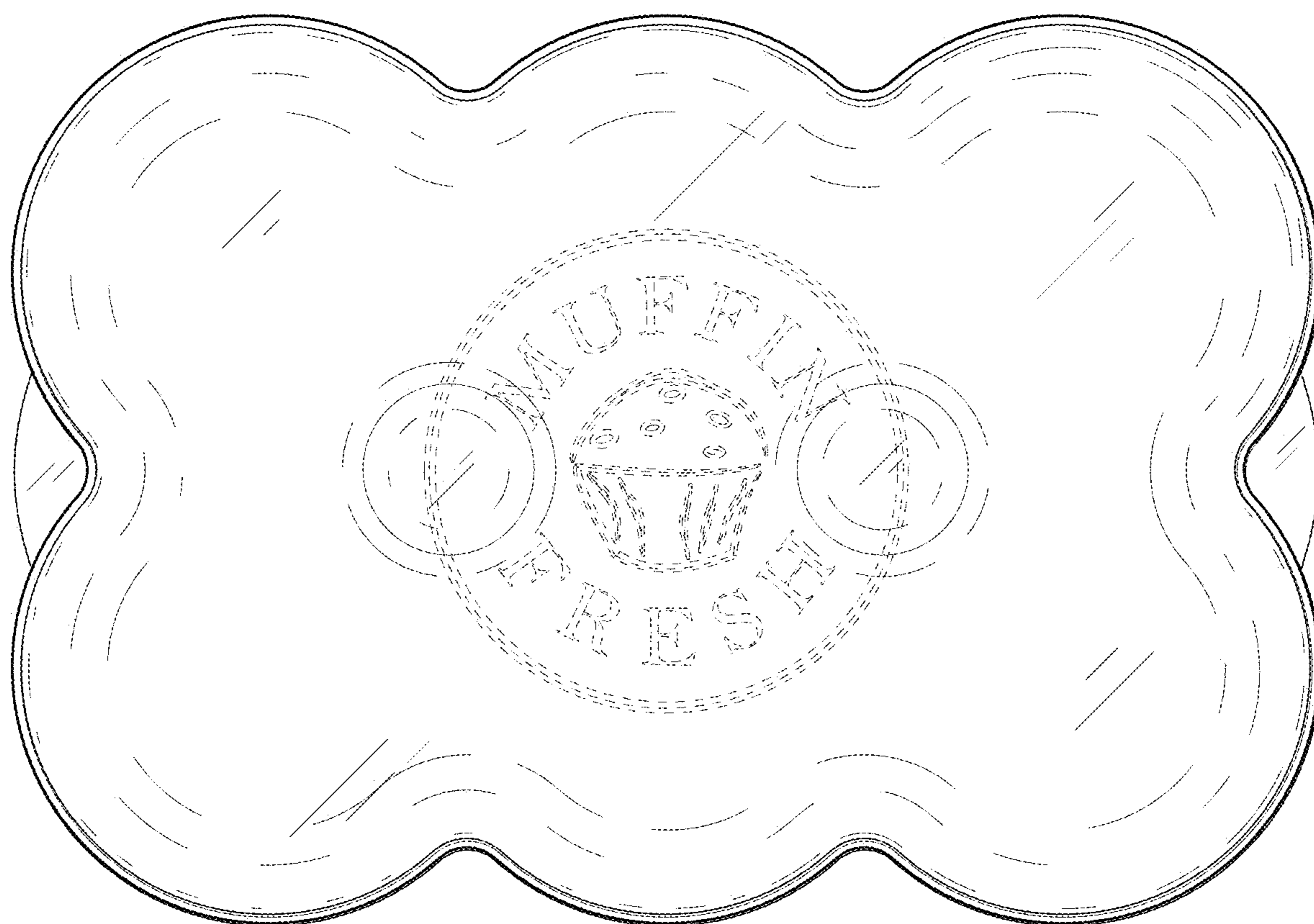


FIG. 2

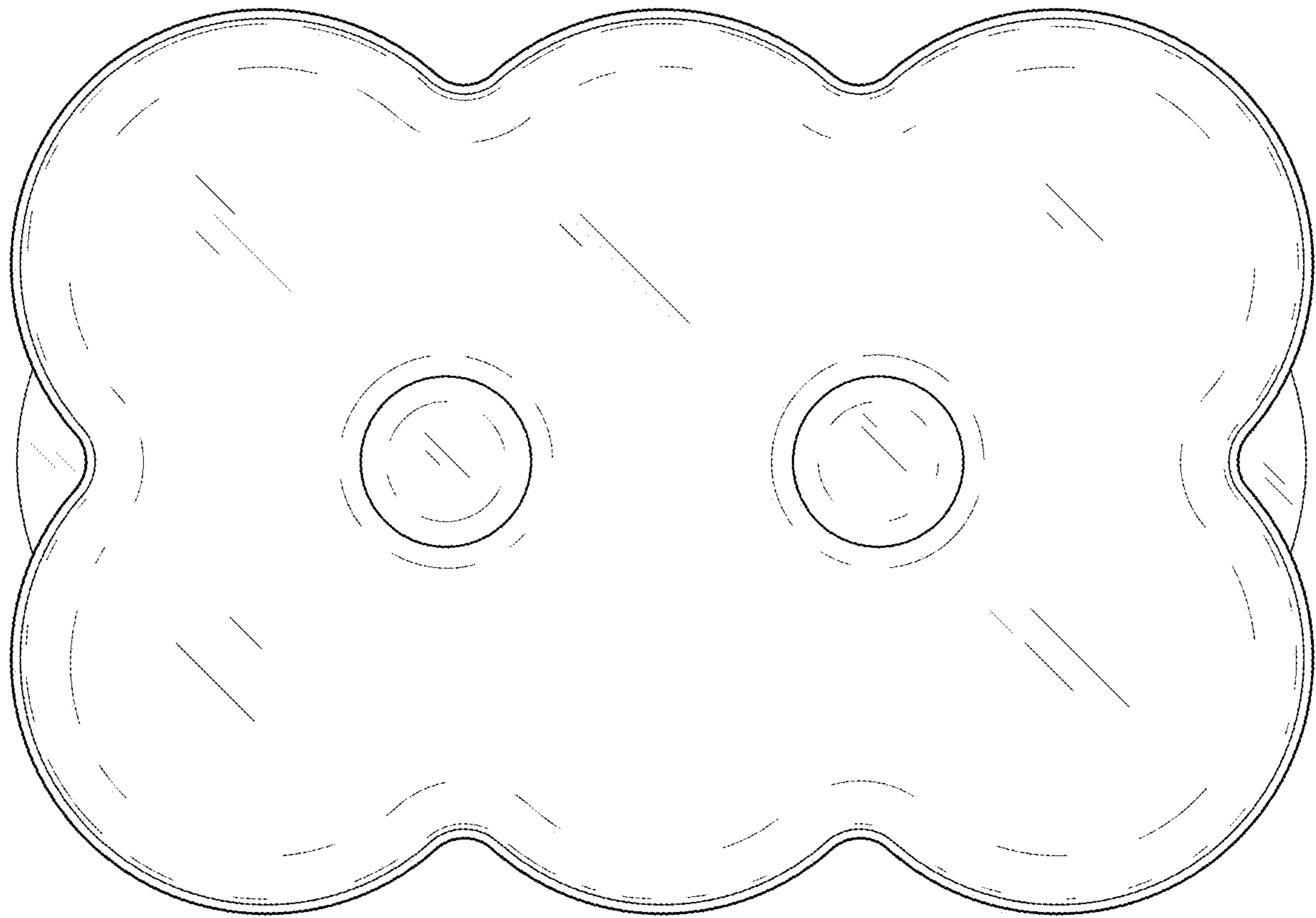
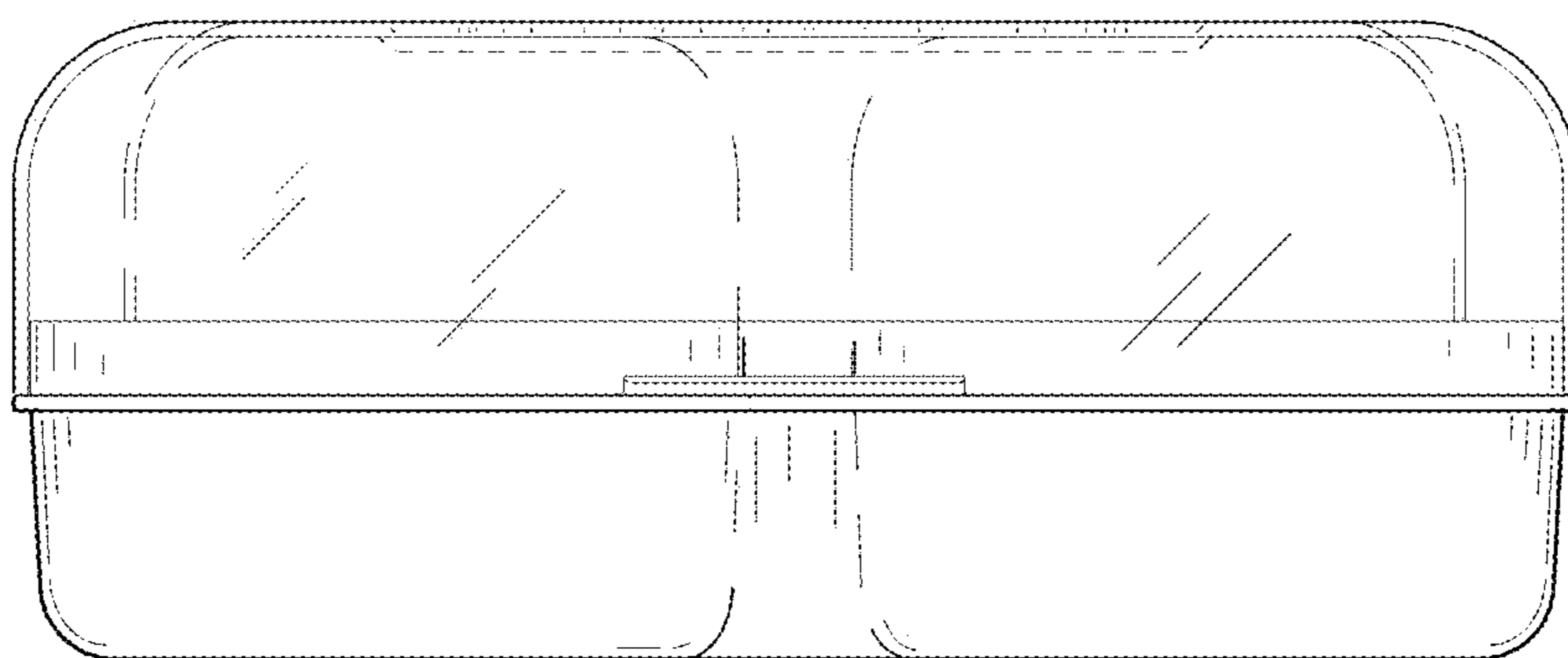
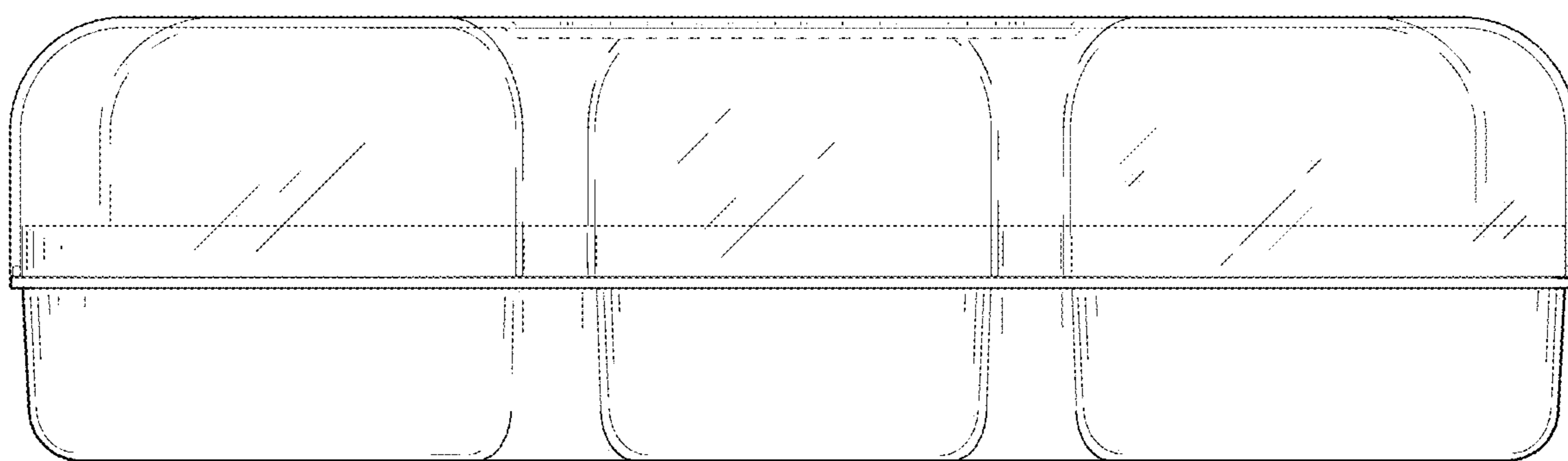


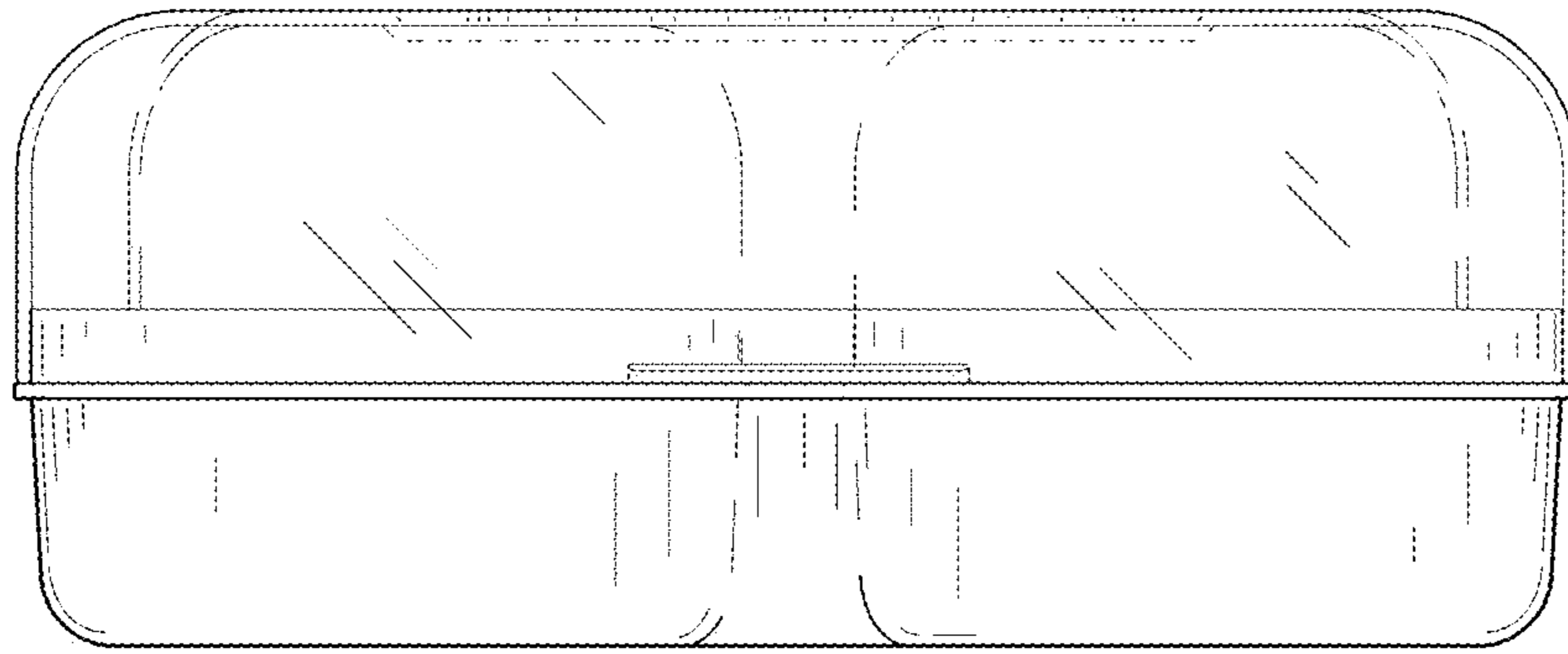
FIG. 3



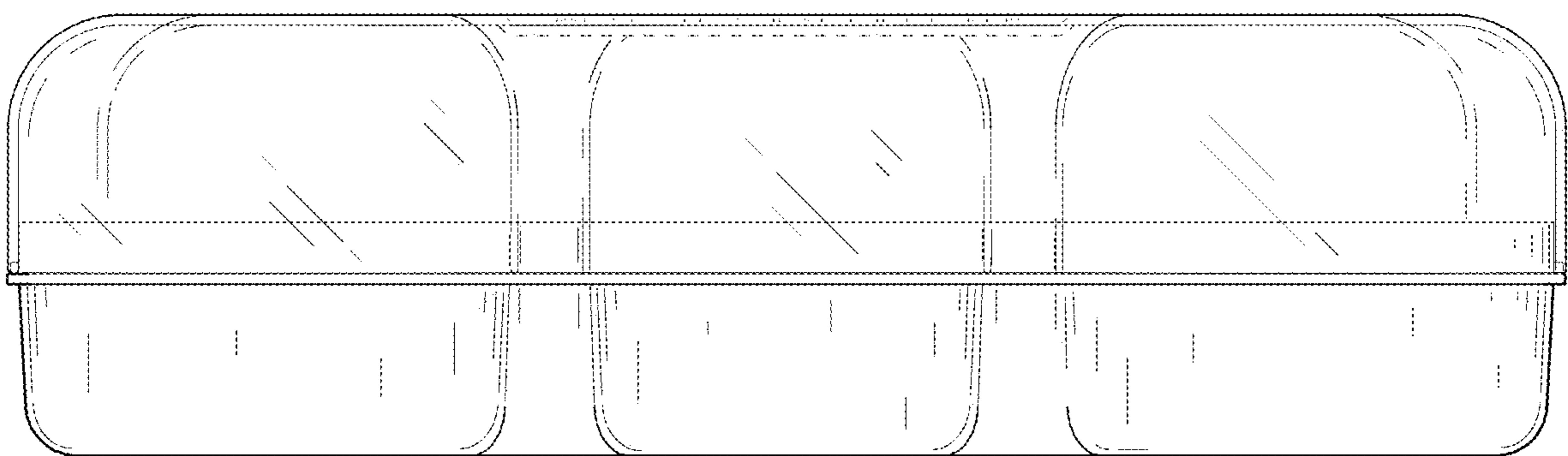
**FIG. 4**



**FIG. 5**



**FIG. 6**



**FIG. 7**

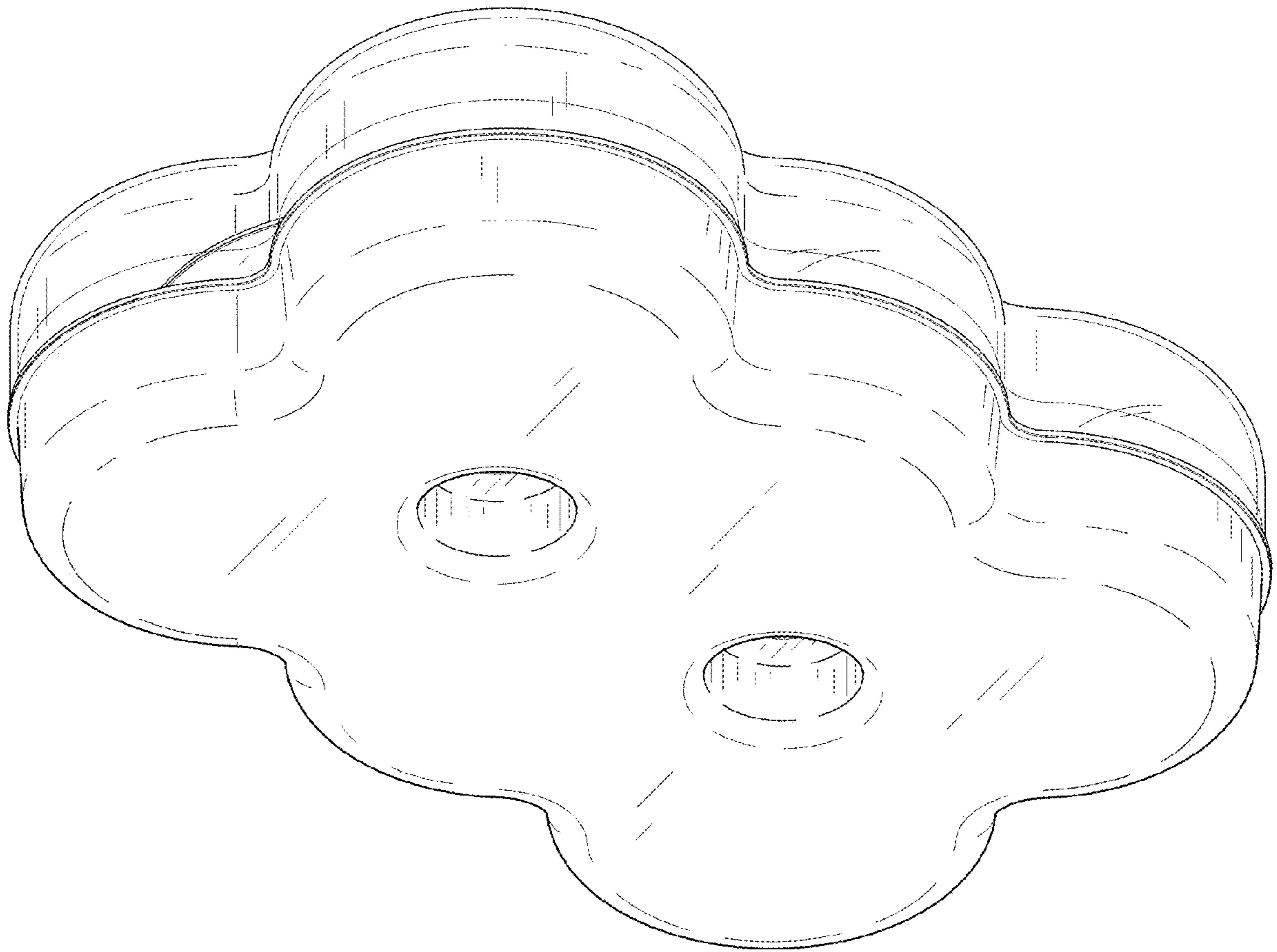


FIG. 8