



US00D877611S

(12) **United States Design Patent**
Kuzmann

(10) **Patent No.:** **US D877,611 S**

(45) **Date of Patent:** **** Mar. 10, 2020**

(54) **PACKAGING**

(71) Applicant: **Gábor Kuzmann**, Budapest (HU)

(72) Inventor: **Gábor Kuzmann**, Budapest (HU)

(**) Term: **15 Years**

(21) Appl. No.: **29/660,015**

(22) Filed: **Aug. 14, 2018**

(51) **LOC (12) Cl.** **09-03**

(52) **U.S. Cl.**
USPC **D9/418**

(58) **Field of Classification Search**
USPC D9/414, 416, 418, 432, 433, 715, 721,
D9/737; D7/601, 602, 630

CPC B65D 5/422; B65D 5/4204; B65D 5/5021;
B65D 5/6661; B65D 5/0245; B65D
5/4229; B65D 5/2004; B65D 5/38; B65D
5/2009; B65D 77/0433; B65D 5/28;
B65D 5/4237; B65D 5/4258; B65D
5/5059; B65D 85/1081; B65D 5/20;
B65D 5/2066; B65D 5/2076; B65D 5/42
See application file for complete search history.

(56) **References Cited**

U.S. PATENT DOCUMENTS

4,700,831 A * 10/1987 Kassai B65D 5/4204
206/232
5,156,276 A * 10/1992 Lebowitz B65D 5/4204
206/588
D388,522 S * 12/1997 Pietrantonio D26/9
5,813,523 A * 9/1998 Gnadt B65D 5/4204
206/590
D590,723 S * 4/2009 Cascone D9/721

D729,059 S * 5/2015 Taylor D9/432
D775,523 S * 1/2017 Platt D9/418
D834,937 S * 12/2018 McKenzie D9/432
D847,626 S * 5/2019 Sill D9/418
2004/0168952 A1* 9/2004 Winckels B65D 5/4204
206/581
2016/0251144 A1* 9/2016 Elgamal B65D 85/36
206/457
2018/0134441 A1* 5/2018 Milicaj B65D 5/4204

* cited by examiner

Primary Examiner — Lauren R Calve

(74) *Attorney, Agent, or Firm* — Sterne, Kessler,
Goldstein & Fox P.L.L.C.

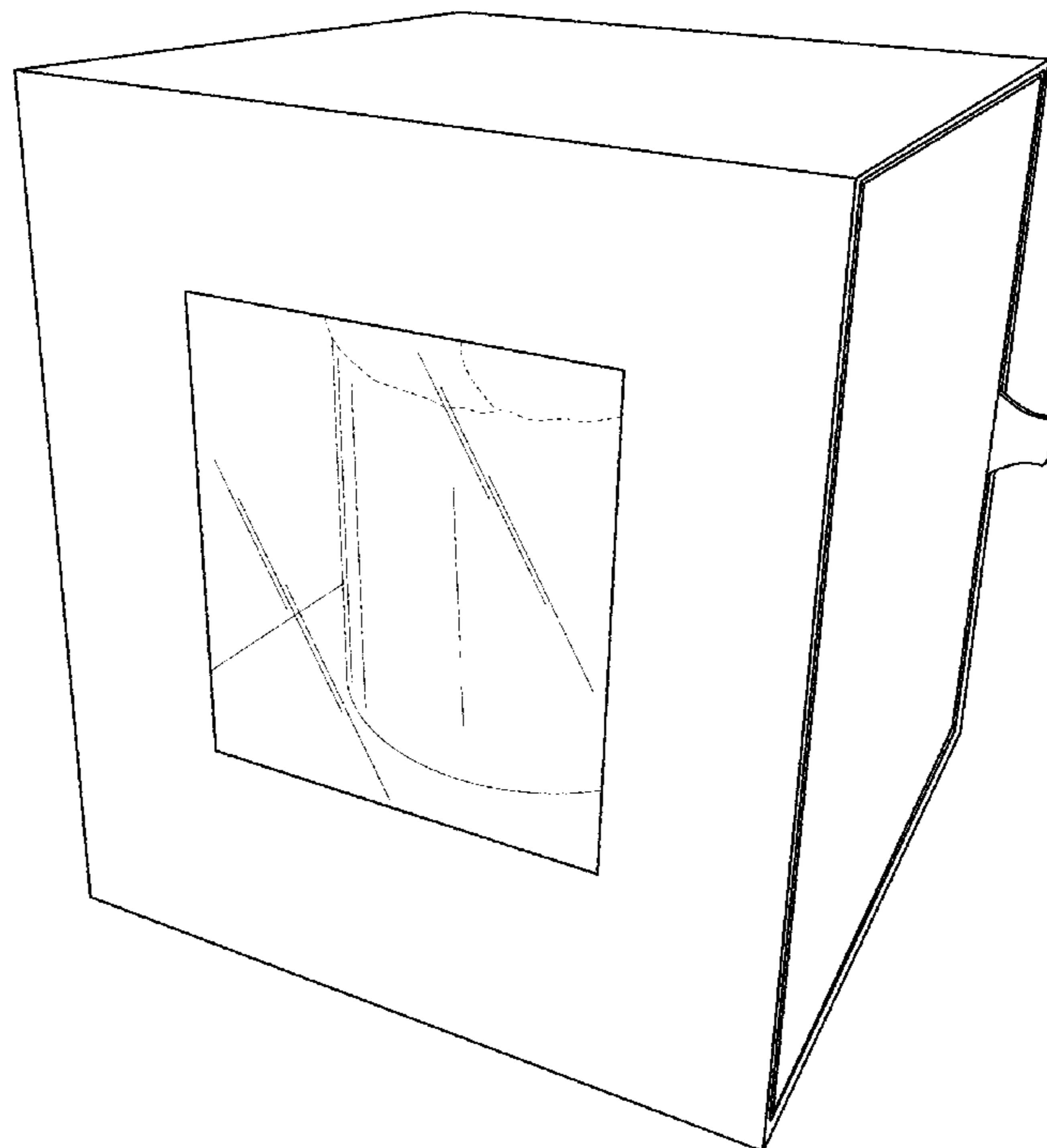
(57) **CLAIM**

The ornamental design for packaging, as shown and described.

DESCRIPTION

FIG. 1 is a top front perspective view of packaging showing the claimed design;
FIG. 2 is a front perspective view thereof;
FIG. 3 is a rear view thereof;
FIG. 4 is a left side view thereof;
FIG. 5 is a right side view thereof;
FIG. 6 is a top view thereof;
FIG. 7 is a bottom view thereof; and,
FIG. 8 is a perspective view of the packaging shown in an alternative configuration.
The broken lines in the figures show environment that forms no part of the claimed design.

1 Claim, 8 Drawing Sheets



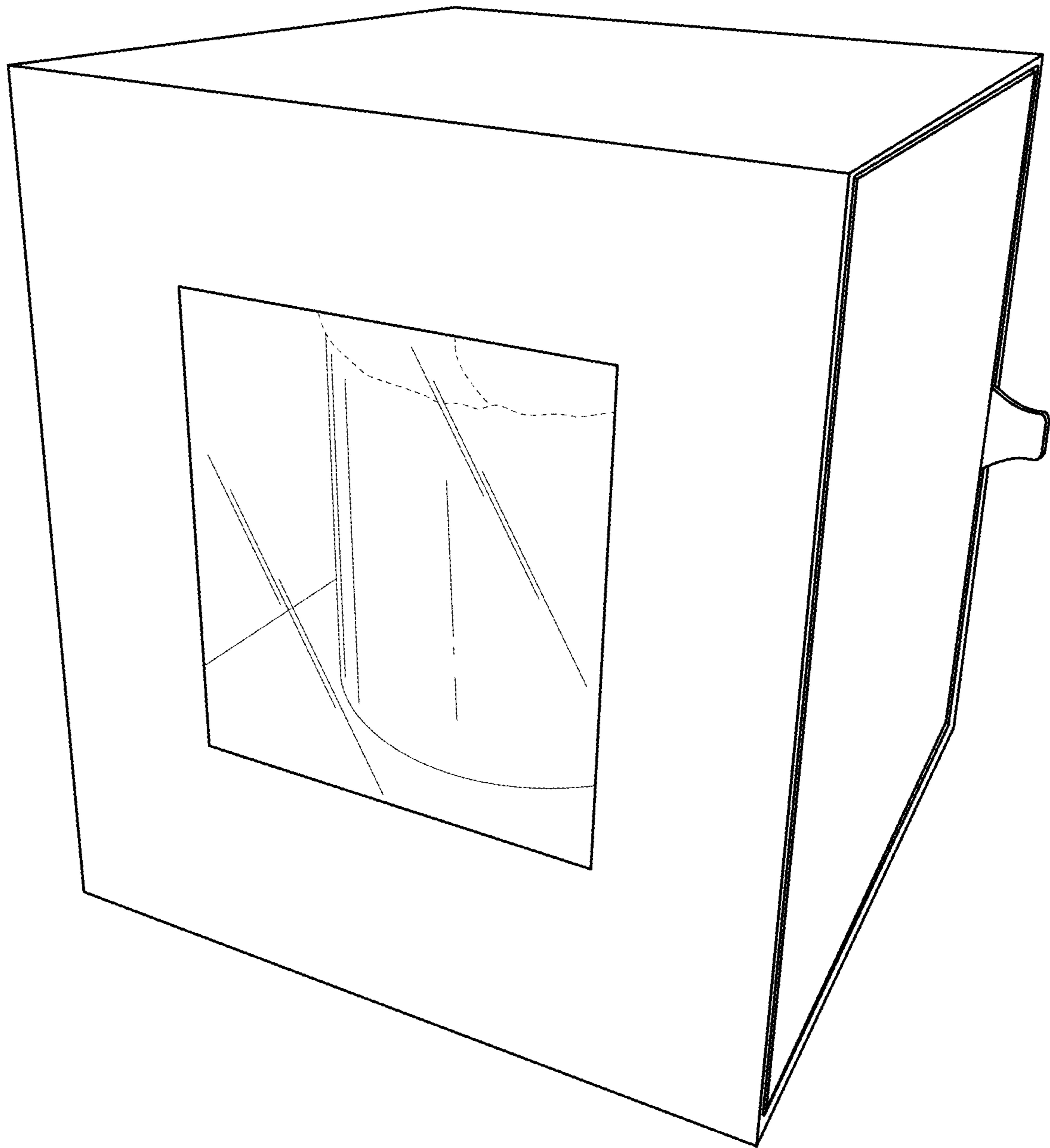


FIG. 1

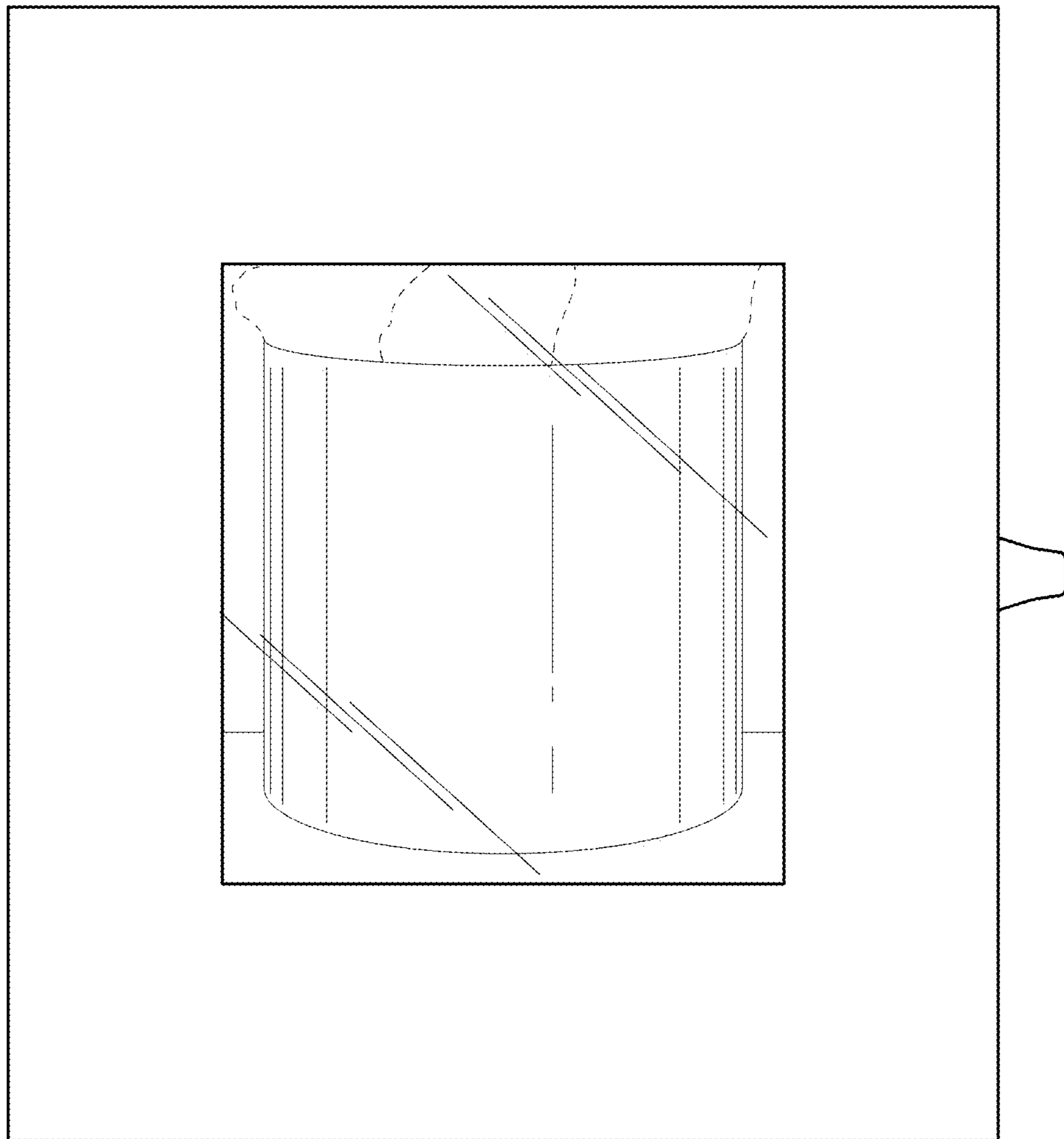


FIG. 2

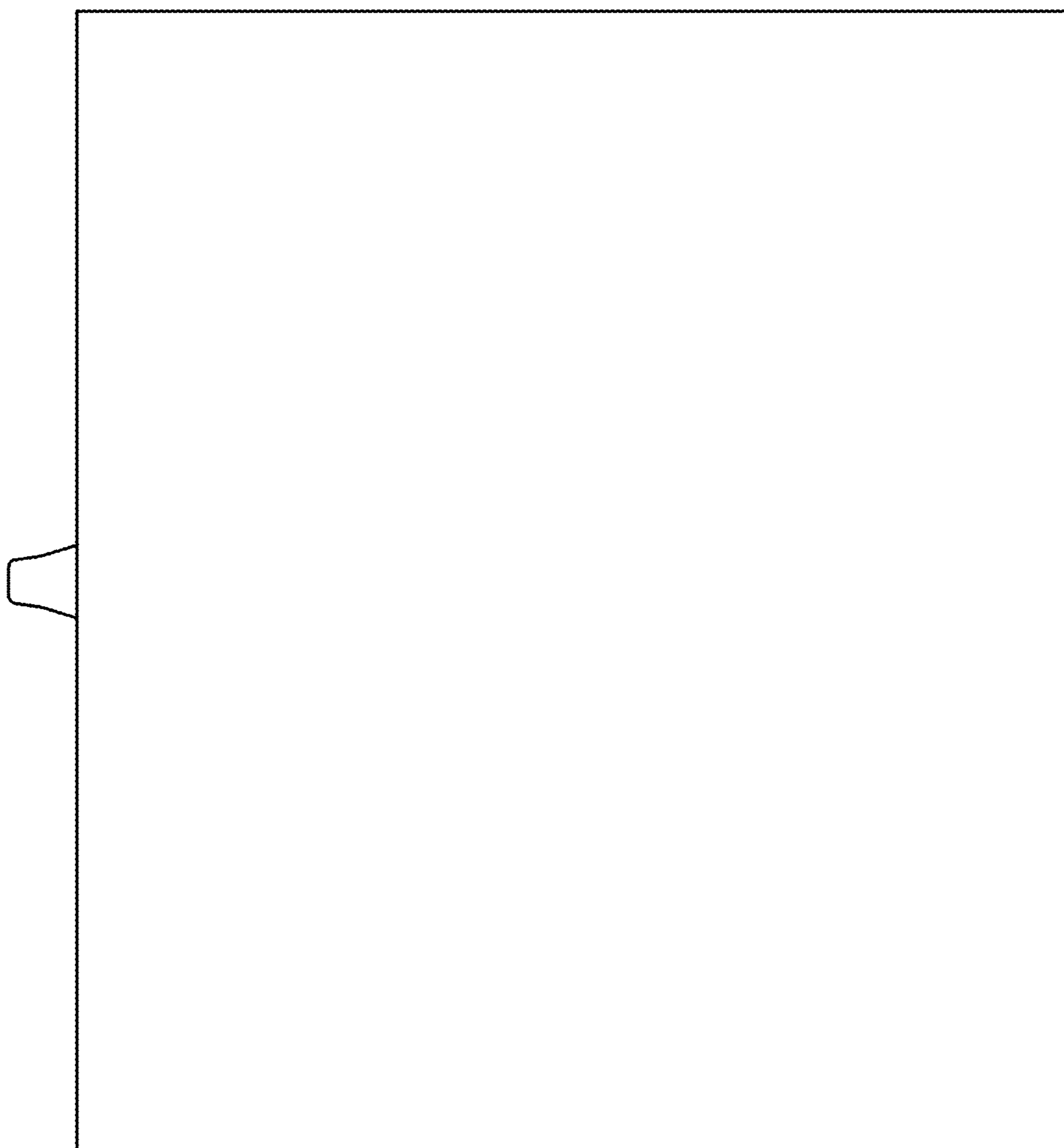


FIG. 3

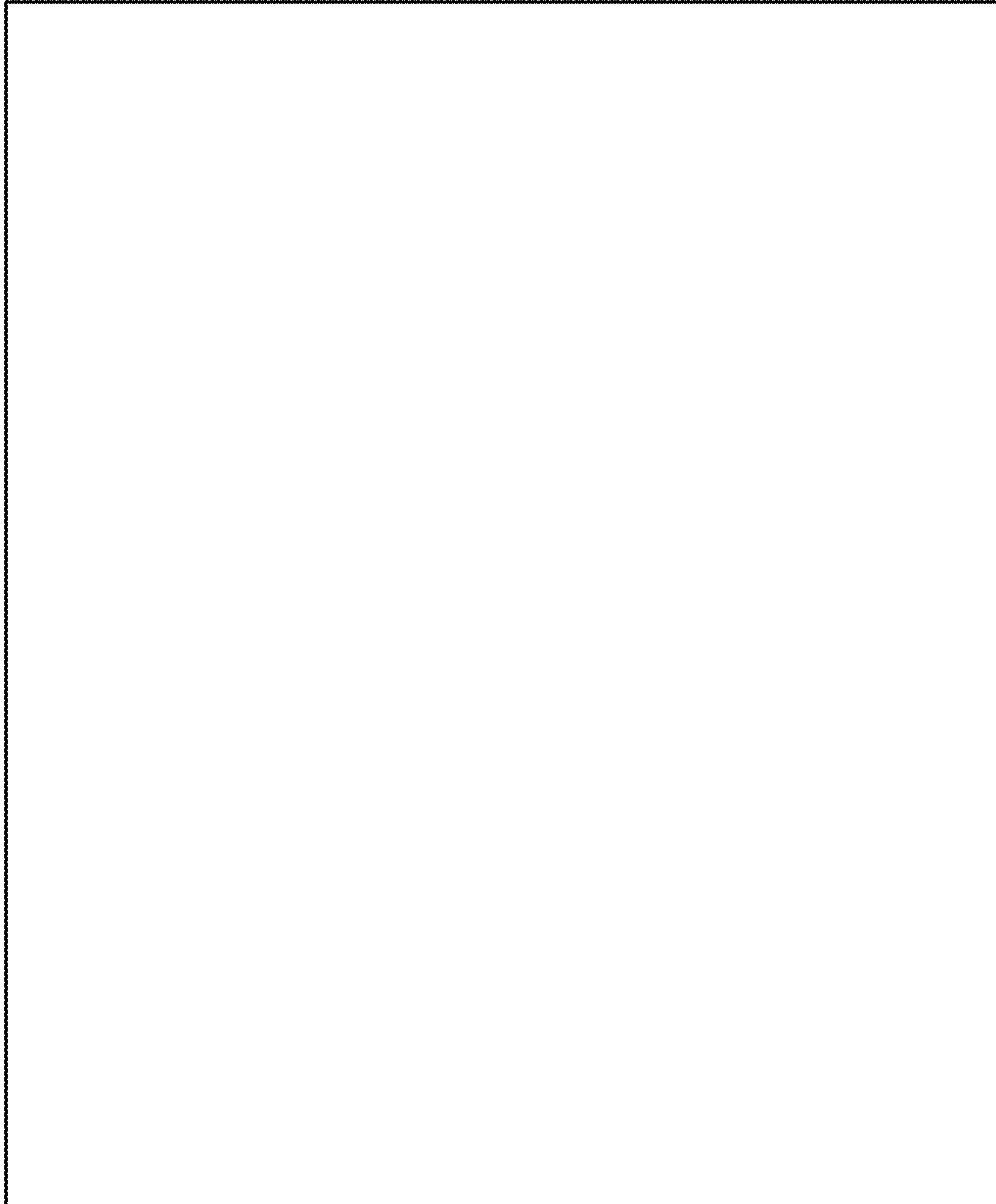


FIG. 4

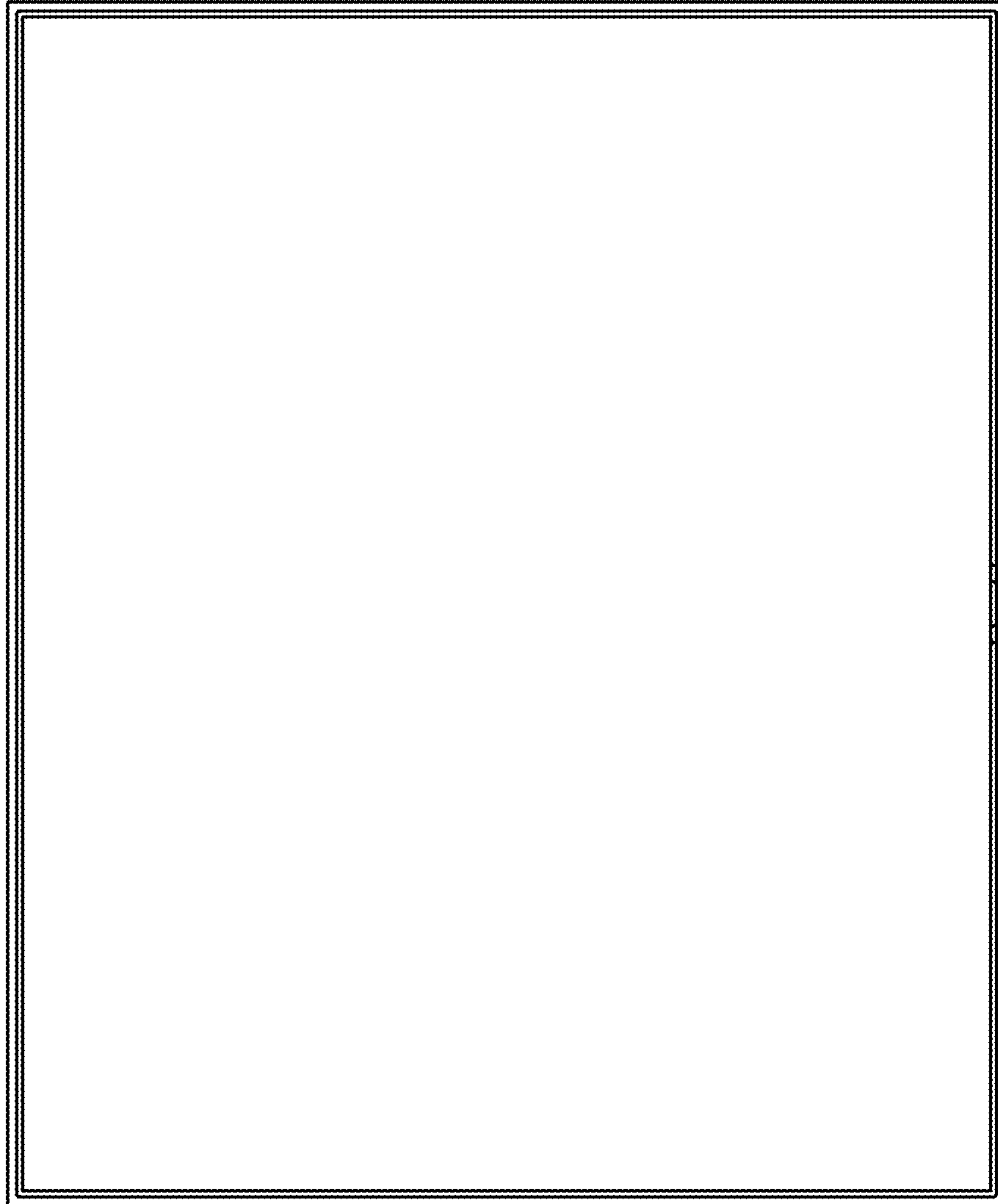


FIG. 5

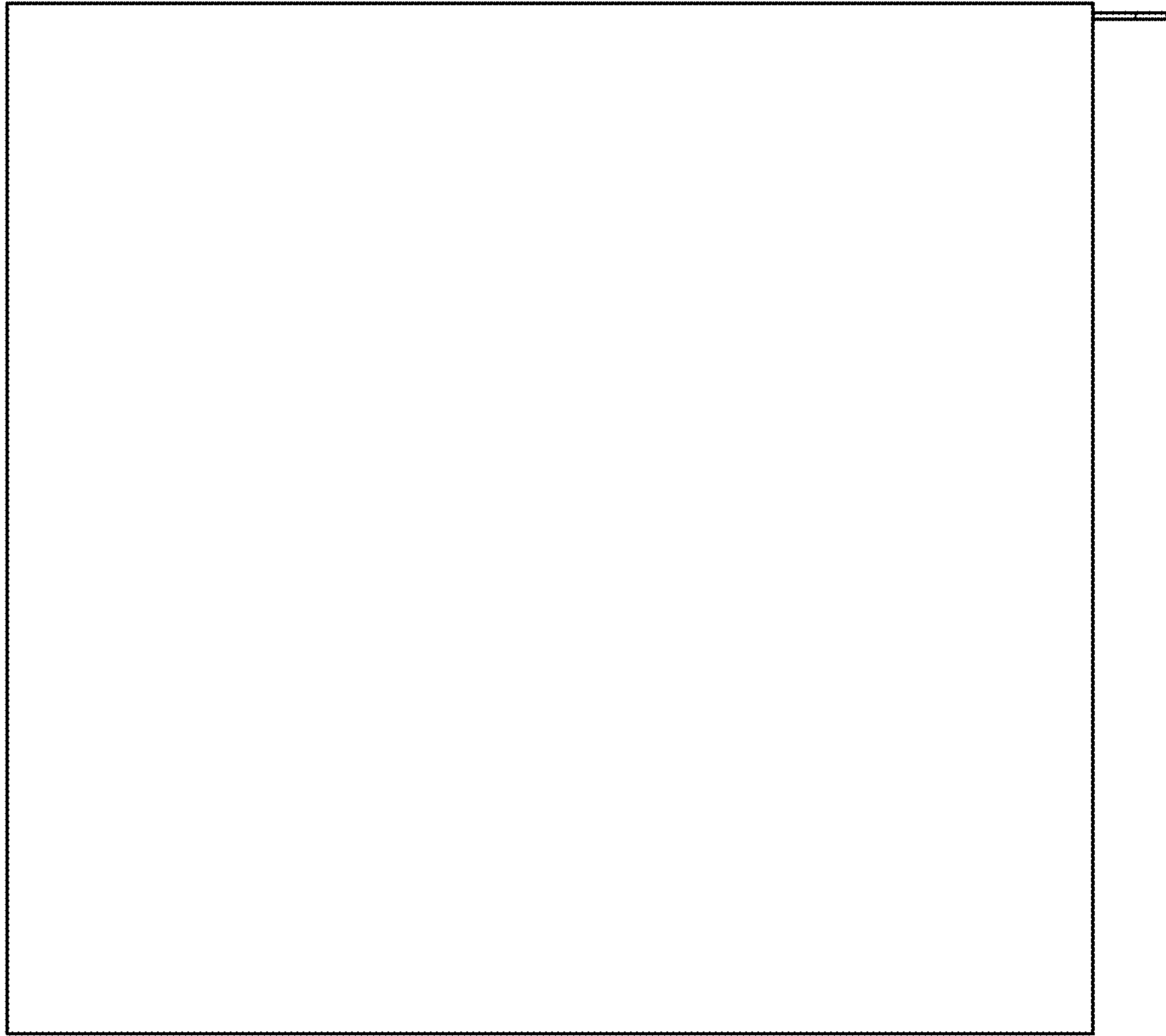


FIG. 6

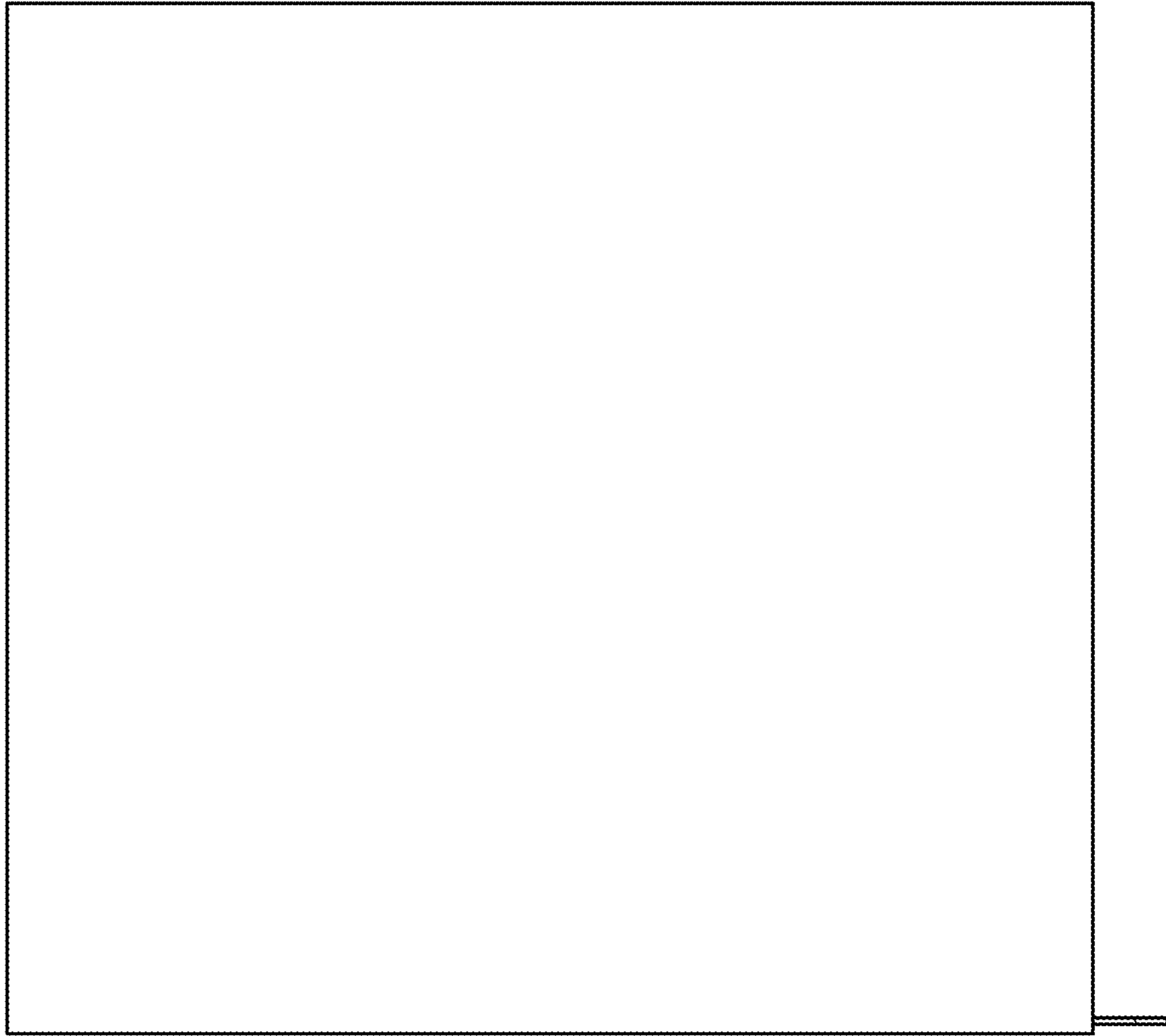


FIG. 7

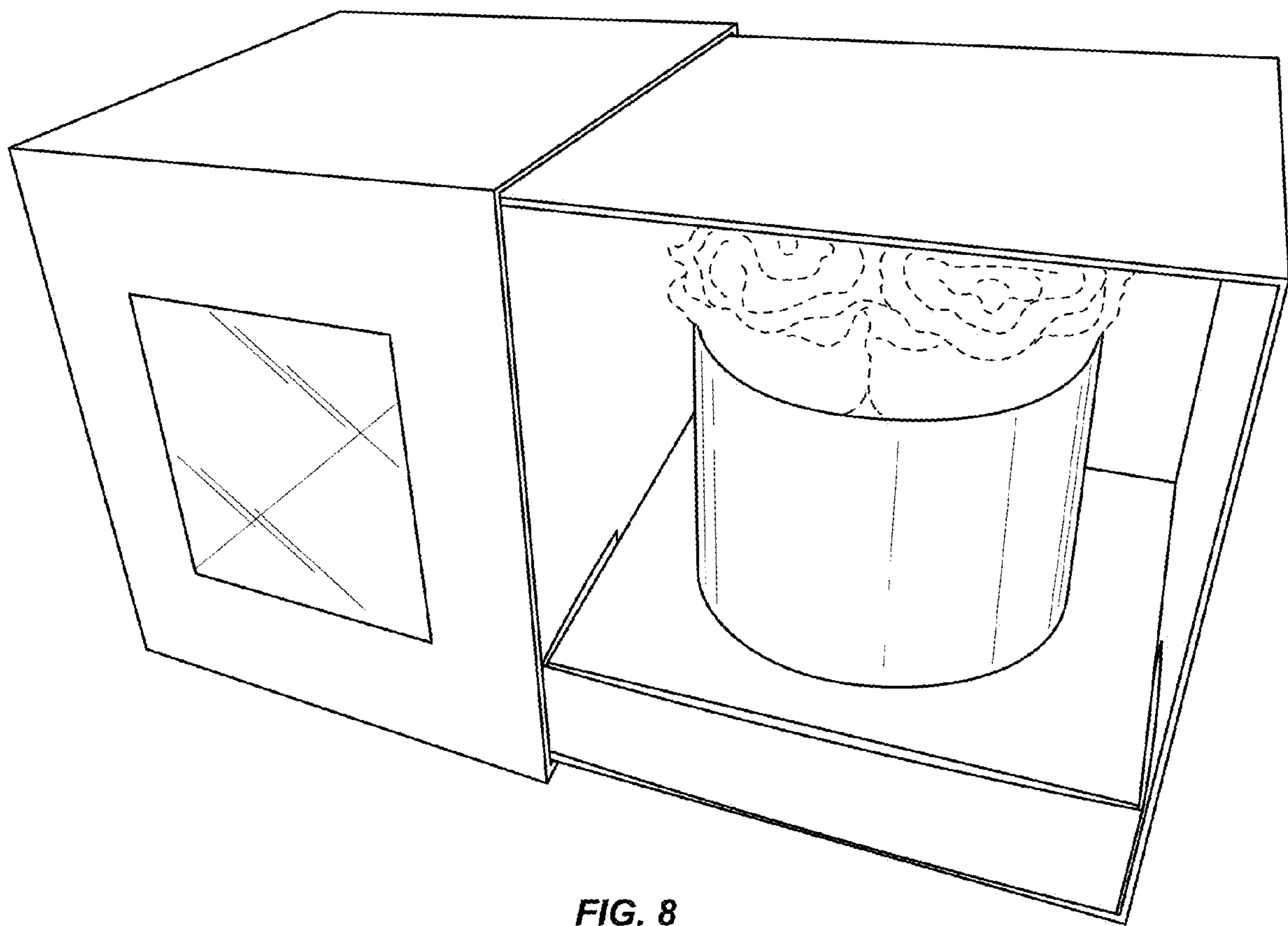


FIG. 8