



US00D877610S

(12) **United States Design Patent**
Martin et al.

(10) **Patent No.:** **US D877,610 S**
(45) **Date of Patent:** **** Mar. 10, 2020**

(54) **PACKAGING**

(71) Applicant: **Medline Industries, Inc.**, Northfield, IL
(US)

(72) Inventors: **Tambra Martin**, Trevor, WI (US);
Christopher J. Miller, Chicago, IL
(US)

(73) Assignee: **Medline Industries, Inc.**, Northfield, IL
(US)

(**) Term: **15 Years**

(21) Appl. No.: **29/623,174**

(22) Filed: **Oct. 23, 2017**

(51) **LOC (12) Cl.** **09-03**

(52) **U.S. Cl.**
USPC **D9/415**

(58) **Field of Classification Search**
USPC D9/414, 415, 418, 432, 457, 711, 718,
D9/722, 739; D6/512, 519; D3/201
CPC B65D 75/00; B65D 75/02; B65D 75/06;
B65D 75/18; B65D 75/56; B65D 75/563;
B65D 75/566; B65D 5/02; B65D 5/4204;
B65D 85/08

See application file for complete search history.

(56) **References Cited**

U.S. PATENT DOCUMENTS

- 3,884,350 A * 5/1975 Johansson B65D 5/103
229/122
- 4,401,255 A * 8/1983 Conroy B65D 5/08
229/155
- D274,407 S * 6/1984 Rosenburg, Jr. D9/418
- D337,047 S * 7/1993 Pearce D9/415
- 5,328,137 A 7/1994 Miller
- 5,499,484 A 3/1996 Herrin
- D400,097 S * 10/1998 Von Stein D9/415
- D405,369 S * 2/1999 Dohner D9/415

- D440,873 S * 4/2001 Van Horn D9/415
- 6,305,597 B1 10/2001 Donegan
- 6,382,676 B1 5/2002 Cochran
- 6,508,357 B1 1/2003 Faircloth
- 6,612,059 B2 9/2003 Cochran
- 7,219,829 B2 5/2007 Treat
- D571,210 S * 6/2008 Rozanski D9/457
- D681,444 S * 5/2013 Oja D9/418
- D699,582 S * 2/2014 Baum D9/415
- D736,098 S * 8/2015 Burger D9/703
- D762,465 S * 8/2016 Popper D9/415
- D763,675 S * 8/2016 McDonald D9/415
- D767,385 S * 9/2016 McDonald D9/415
- D825,324 S * 8/2018 Cavalcante D9/415
- D832,097 S * 10/2018 Lee D9/415

(Continued)

Primary Examiner — Wan Laymon

Assistant Examiner — Clint A Samuel

(74) *Attorney, Agent, or Firm* — Fitch, Even, Tabin &
Flannery LLP

(57) **CLAIM**

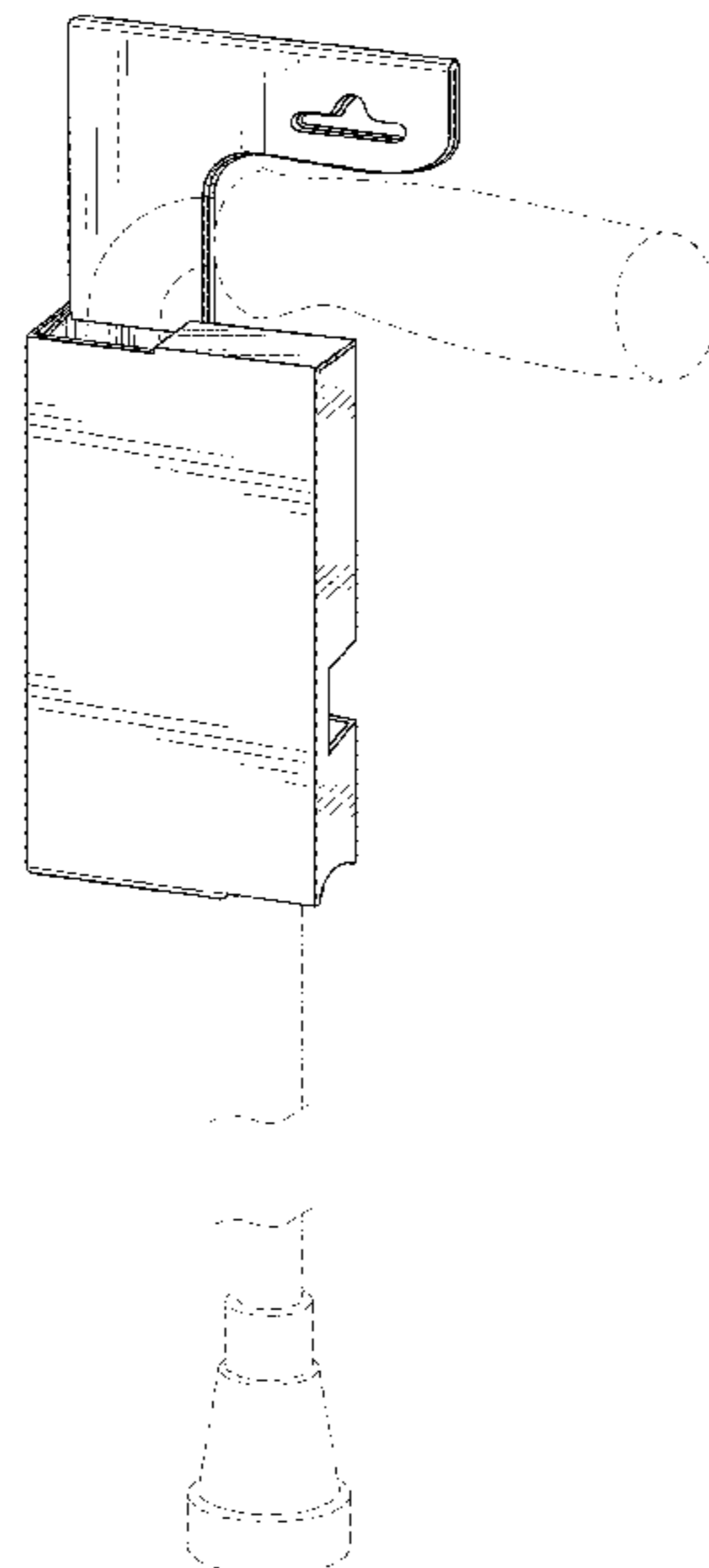
The ornamental design for a packaging, as shown and described.

DESCRIPTION

FIG. 1 is a front, top perspective view showing our new packaging design in use, with a cane;
 FIG. 2 is a front, top perspective view thereof;
 FIG. 3 is a rear, top perspective view thereof;
 FIG. 4 is a front, bottom perspective view thereof;
 FIG. 5 is a rear elevation view thereof;
 FIG. 6 is a left side elevation view thereof;
 FIG. 7 is a front elevation view thereof;
 FIG. 8 is a right side elevation view thereof;
 FIG. 9 is a top plan view thereof; and,
 FIG. 10 is a bottom plan view thereof.

The broken line showing in the drawings is included for the purpose of illustrating unclaimed portions of the packaging and forms no part of the claimed design.

1 Claim, 7 Drawing Sheets



(56)

References Cited

U.S. PATENT DOCUMENTS

D833,860 S * 11/2018 Lee D9/415
10,292,515 B2 * 5/2019 Petersen B65D 81/36
2013/0277272 A1 * 10/2013 Oja B65D 5/4204
206/775
2016/0262592 A1 * 9/2016 Mongeon B65D 75/06
2019/0092544 A1 * 3/2019 Martin A45B 1/04

* cited by examiner

FIG. 1

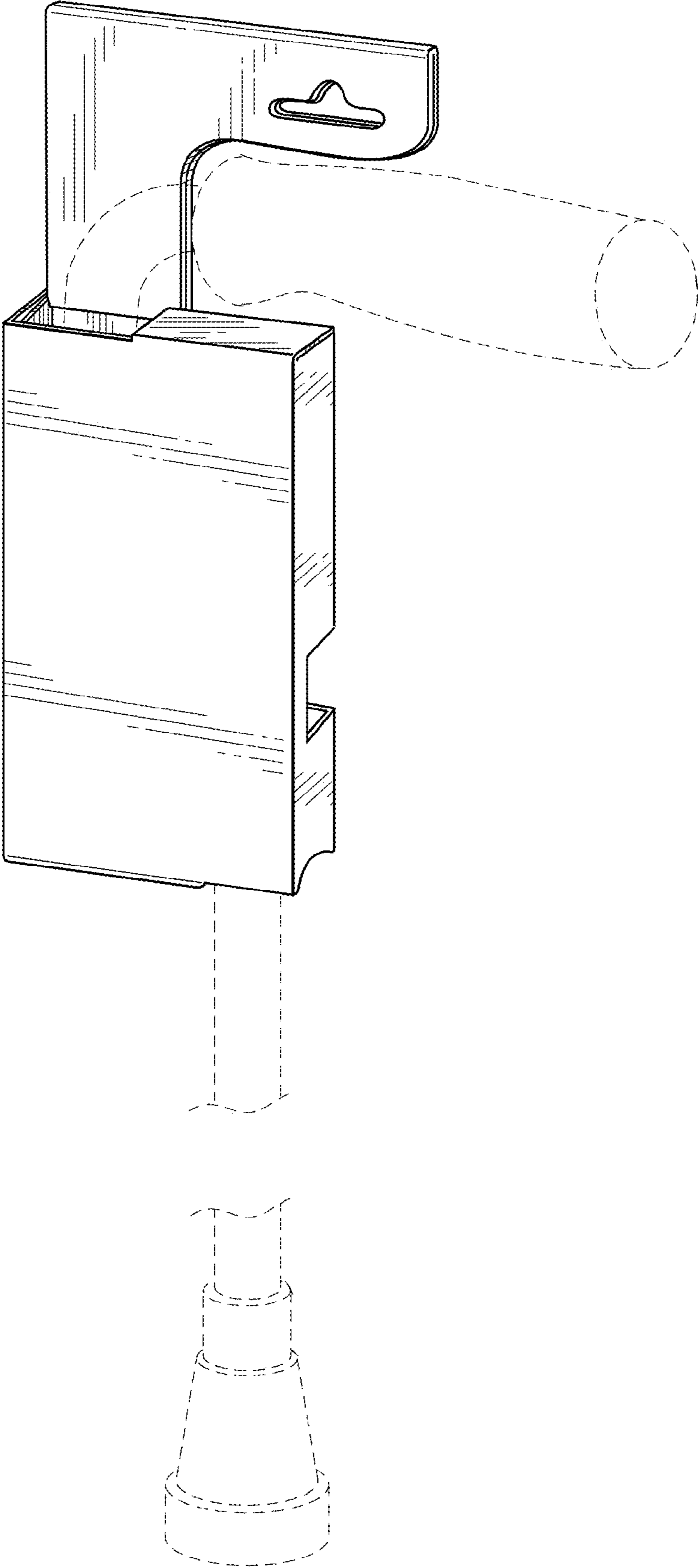


FIG. 2

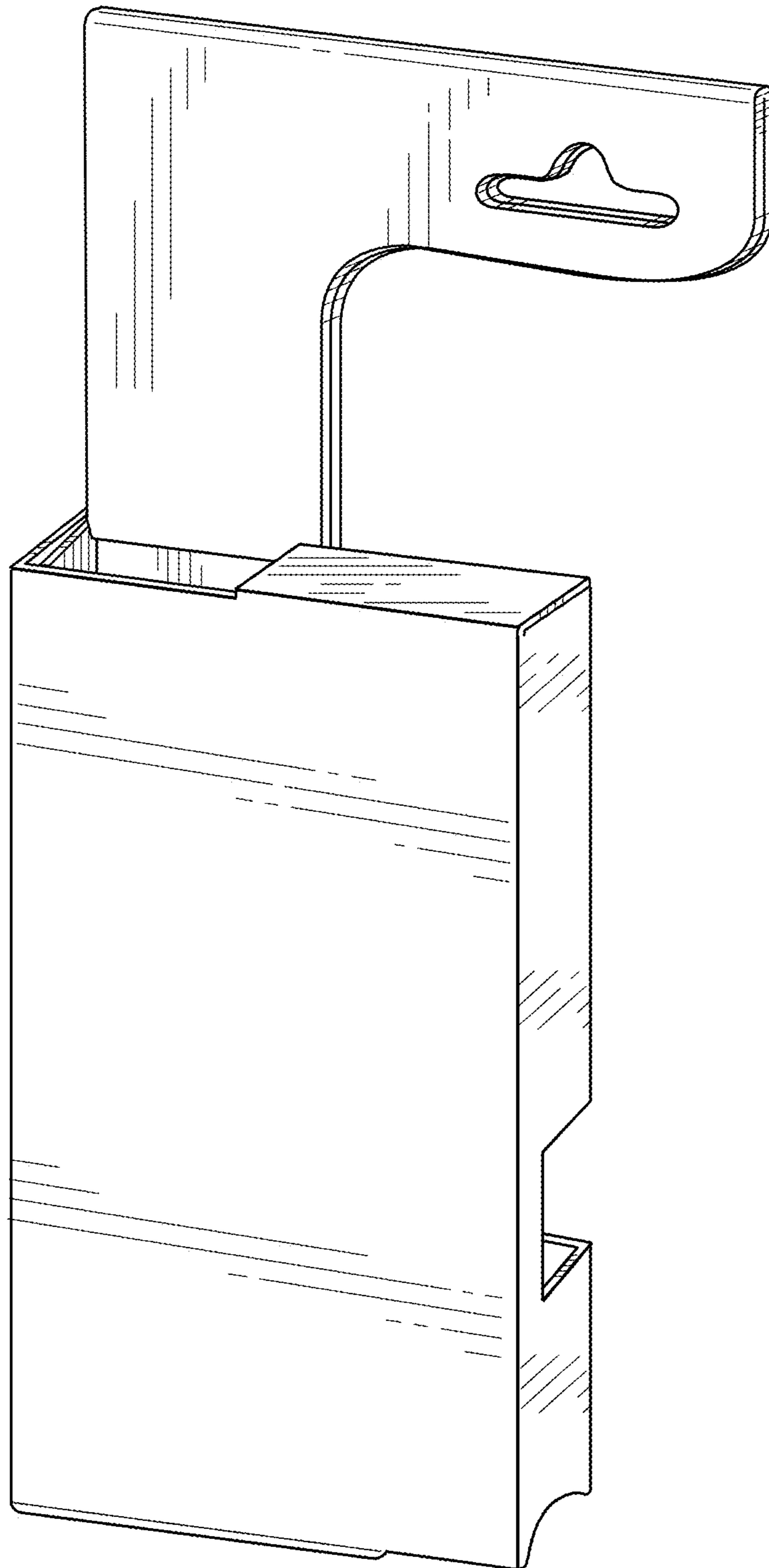


FIG. 3

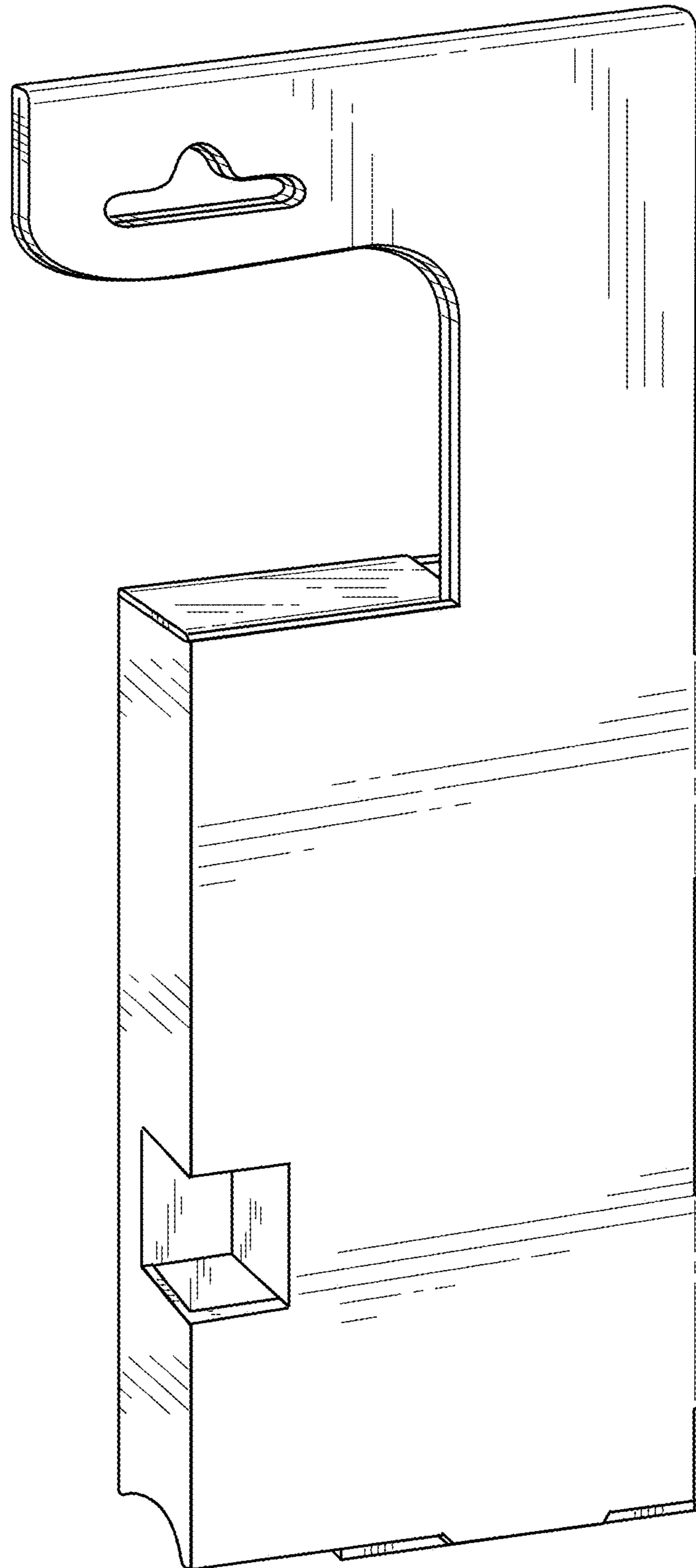


FIG. 4

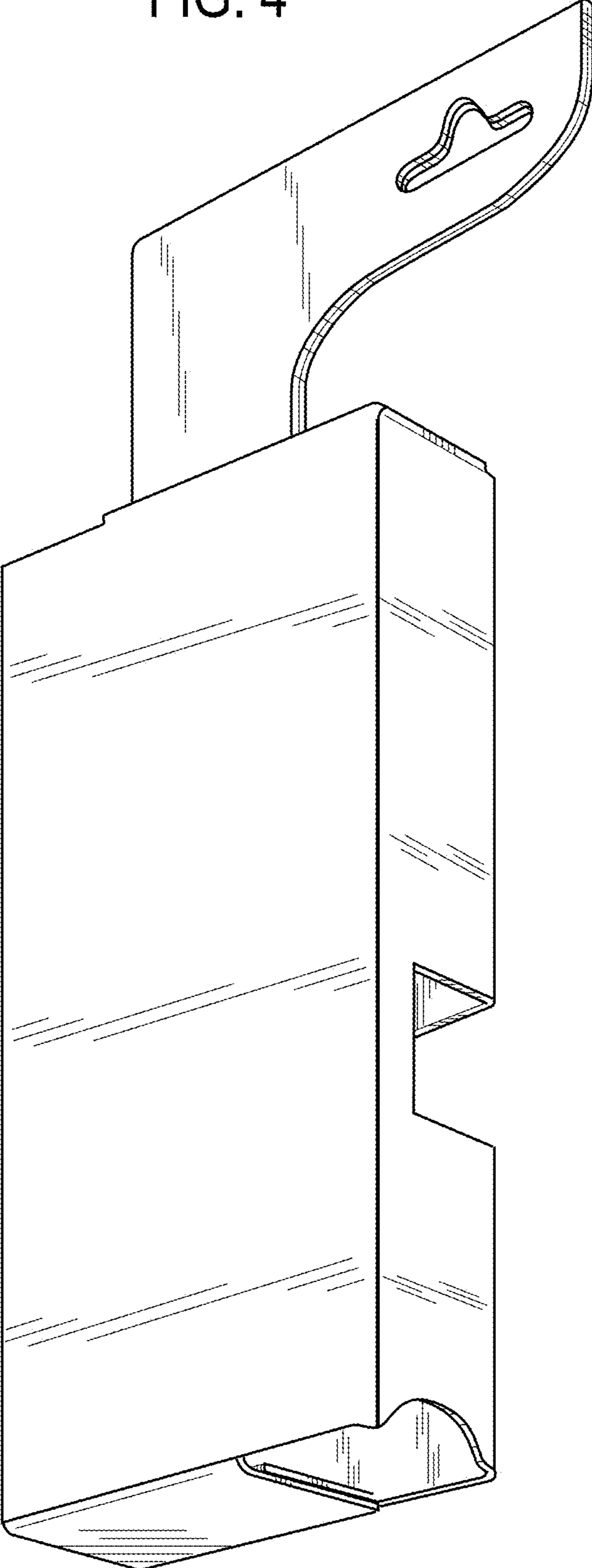


FIG. 5

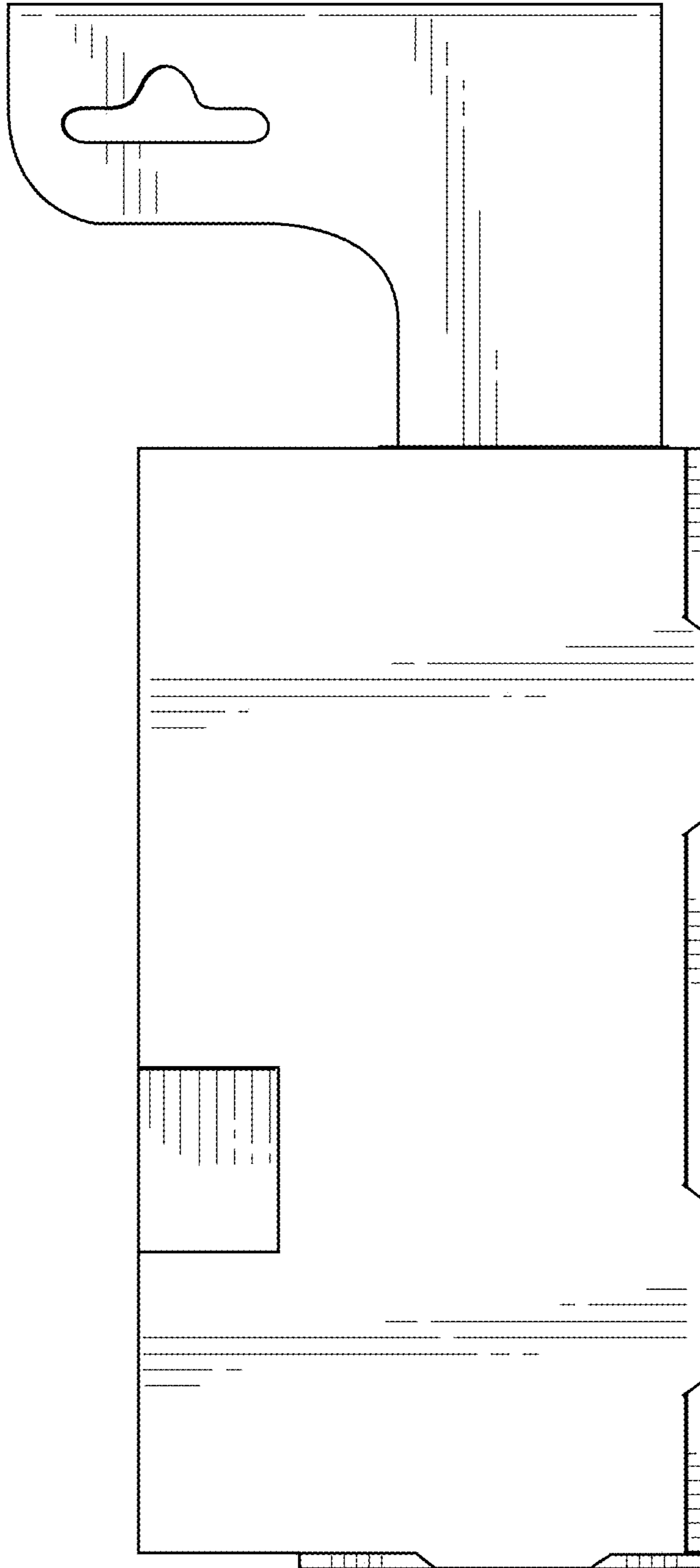


FIG. 6

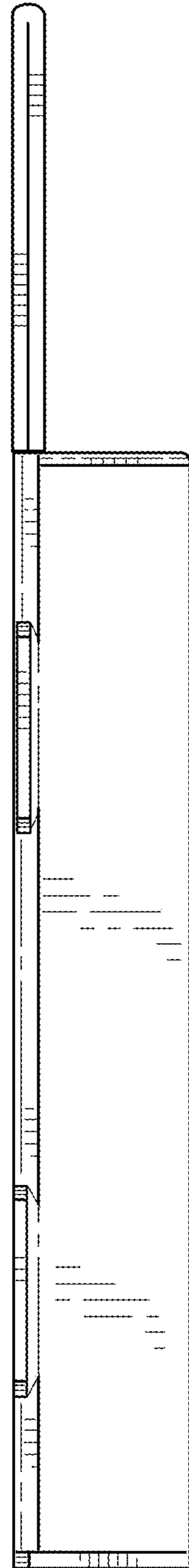


FIG. 7

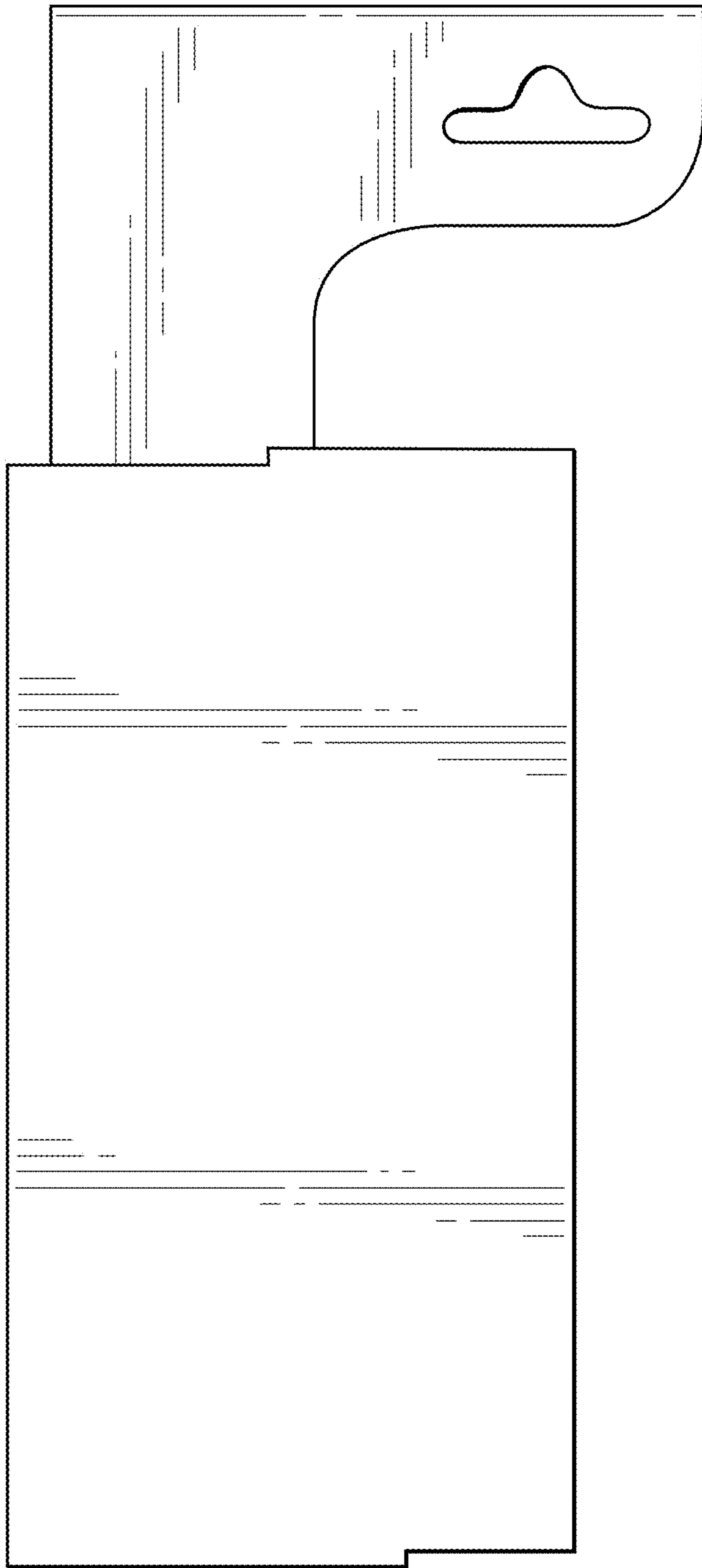


FIG. 8

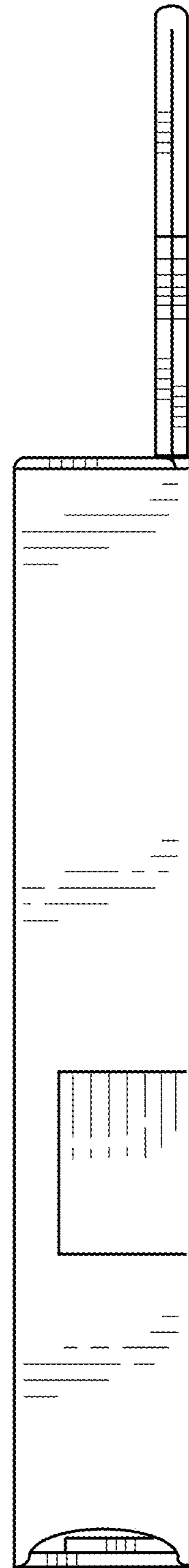


FIG. 9

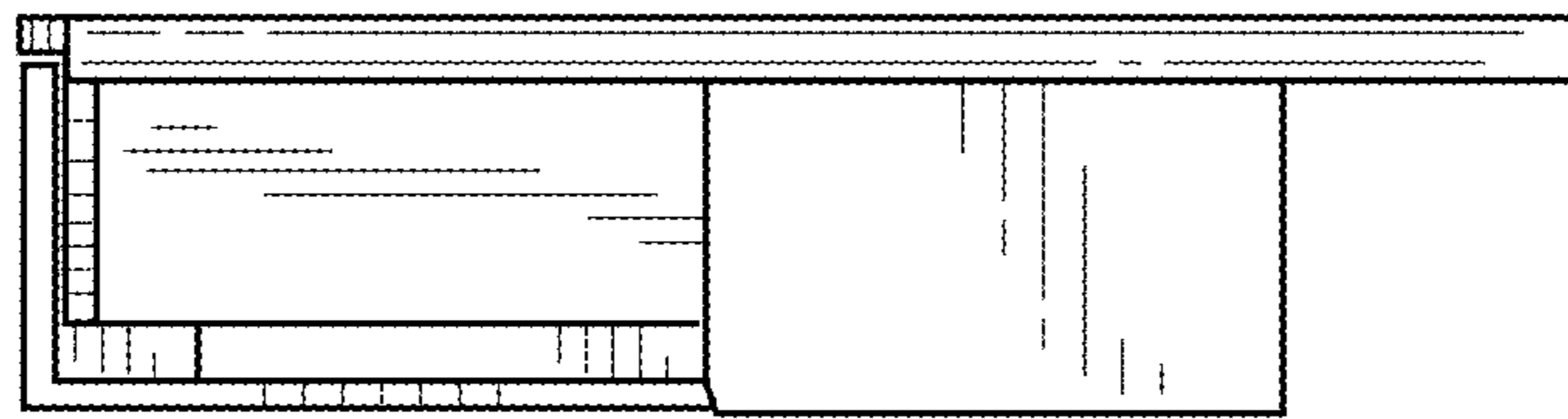


FIG. 10

