



US00D877609S

(12) **United States Design Patent**  
**Elman**

(10) **Patent No.:** **US D877,609 S**  
(45) **Date of Patent:** **\*\* Mar. 10, 2020**

(54) **FOLD-UP CONTAINER/DISPENSER WITH A FLOOR AND A DISPERSION PLATFORM**

(71) Applicant: **Noel Elman**, Brookline, MA (US)

(72) Inventor: **Noel Elman**, Brookline, MA (US)

(\*\*) Term: **15 Years**

(21) Appl. No.: **29/704,268**

(22) Filed: **Sep. 3, 2019**

**Related U.S. Application Data**

(60) Division of application No. 29/654,236, filed on Jun. 21, 2018, which is a continuation-in-part of application No. 29/633,676, filed on Jan. 15, 2018, now Pat. No. Des. 857,495.

(51) **LOC (12) Cl.** ..... **09-01**

(52) **U.S. Cl.**  
USPC ..... **D9/414**; D9/430; D9/433

(58) **Field of Classification Search**  
USPC ..... D9/414–433, 434, 456, 457, 711, 713,  
D9/721–722, 737; D3/272–274, 290,  
D3/304, 305, 315  
CPC ... B65D 5/00; B65D 5/02; B65D 5/18; B65D  
5/20  
See application file for complete search history.

(56) **References Cited**

**U.S. PATENT DOCUMENTS**

880,952 A \* 3/1908 Yarnall ..... B65D 3/22  
229/4.5  
2,016,863 A \* 10/1935 La Grua ..... B65D 5/12  
229/5.5  
3,929,271 A \* 12/1975 Meyers ..... B65D 3/22  
229/4.5  
D416,796 S \* 11/1999 Smith ..... D7/629  
6,170,740 B1 \* 1/2001 Clark ..... B65D 5/0209  
229/104  
D535,556 S \* 1/2007 Broderick ..... D9/416  
D537,343 S \* 2/2007 Cassetari ..... D9/455

(Continued)

**OTHER PUBLICATIONS**

KJ's Kraft Cardboard Powder Shakers. [online] Retrieved Sep. 30, 2019 from URL: [https://www.amazon.com/KJs-Kraft-Cardboard-Powder-Shakers/dp/B07RLS5R84/ref=sr\\_1\\_45?keywords=KJ%27s+Krafts&qid=1569851745&s=gateway&sr=8-45.\\*](https://www.amazon.com/KJs-Kraft-Cardboard-Powder-Shakers/dp/B07RLS5R84/ref=sr_1_45?keywords=KJ%27s+Krafts&qid=1569851745&s=gateway&sr=8-45.*)

*Primary Examiner* — Vy N Koenig

(74) *Attorney, Agent, or Firm* — Quickpatents, LLC;  
Kevin Prince

(57) **CLAIM**

I claim the ornamental design for a fold-up container/dispenser with a floor and a dispersion platform, as shown and described.

**DESCRIPTION**

FIG. 1 is a top perspective view of a fold-up container with a floor and a dispersion screen, showing my new design in an assembled configuration with a lid in a closed configuration;

FIG. 2 is a top perspective view thereof, illustrated with the lid in an open configuration;

FIG. 3 is a top perspective view thereof, illustrated with the lid in an open configuration and the dispersion screen folded away from the container;

FIG. 4 is a front elevational view of FIG. 1;

FIG. 5 is a rear elevational view of FIG. 1;

FIG. 6 is a left-side elevational view of FIG. 1;

FIG. 7 is a right-side elevational view of FIG. 1;

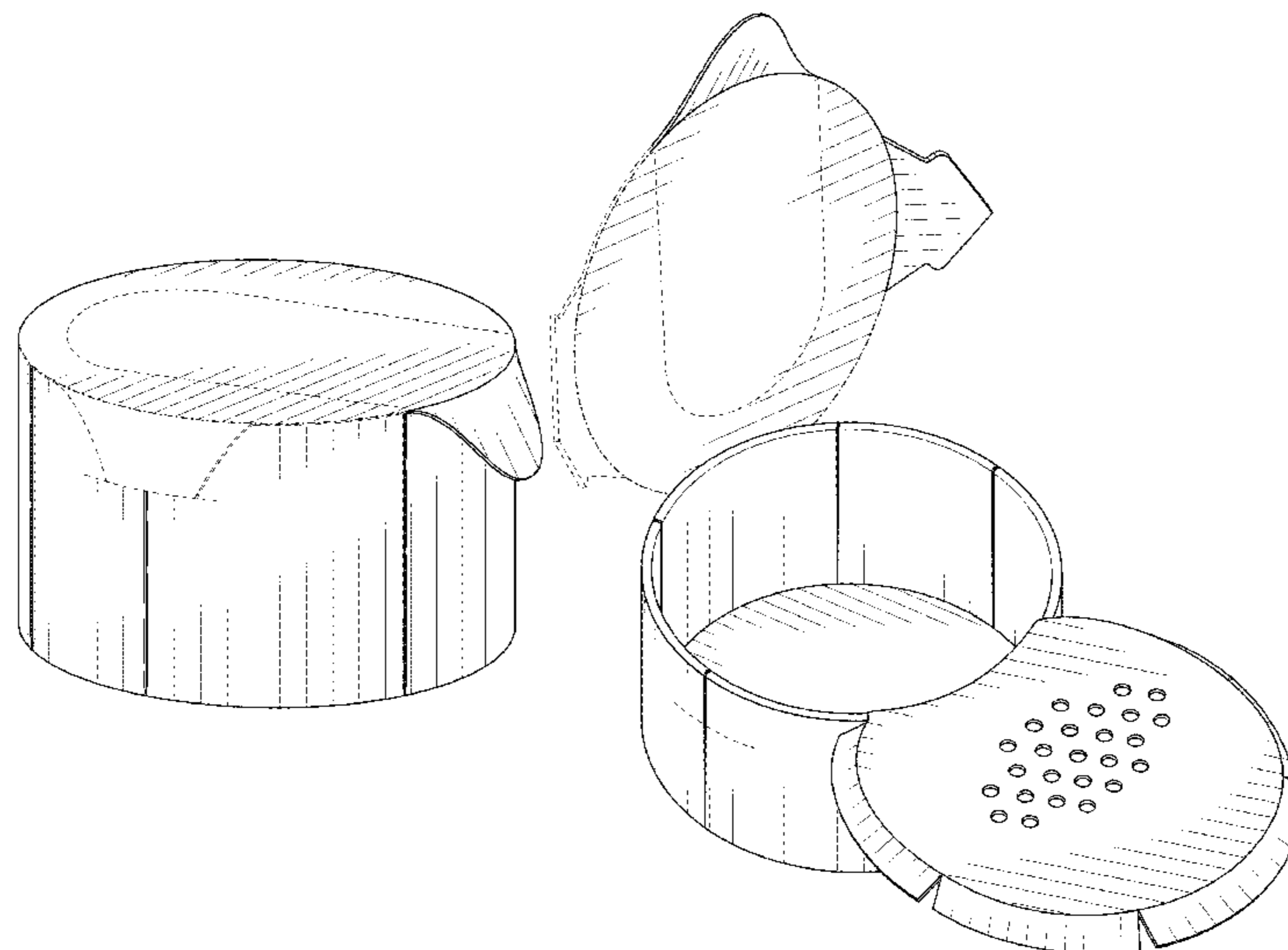
FIG. 8 is a top plan view of FIG. 1;

FIG. 9 is a bottom plan view of FIG. 1; and,

FIG. 10 is a top plan view thereof, illustrated in a flat configuration.

The evenly spaced broken lines in the figures depict portions of the fold-up container that form no part of the claimed design. The unevenly dashed broken lines in the figures depict the boundaries of the claim and form no part of the claimed design.

**1 Claim, 8 Drawing Sheets**



(56)

**References Cited**

U.S. PATENT DOCUMENTS

D548,598 S \* 8/2007 Fillingham ..... D9/430  
7,866,536 B2 \* 1/2011 Calendrille, Jr. .... B65D 3/12  
206/407  
D645,339 S \* 9/2011 Oakes ..... D9/420  
D717,163 S \* 11/2014 Paulsen ..... D9/431  
9,090,371 B2 \* 7/2015 Hallam ..... B65D 5/0209  
10,287,082 B2 \* 5/2019 Sharman ..... B65D 3/20  
D857,495 S \* 8/2019 Elman ..... D9/430  
D860,779 S \* 9/2019 Sutton ..... D9/420

\* cited by examiner

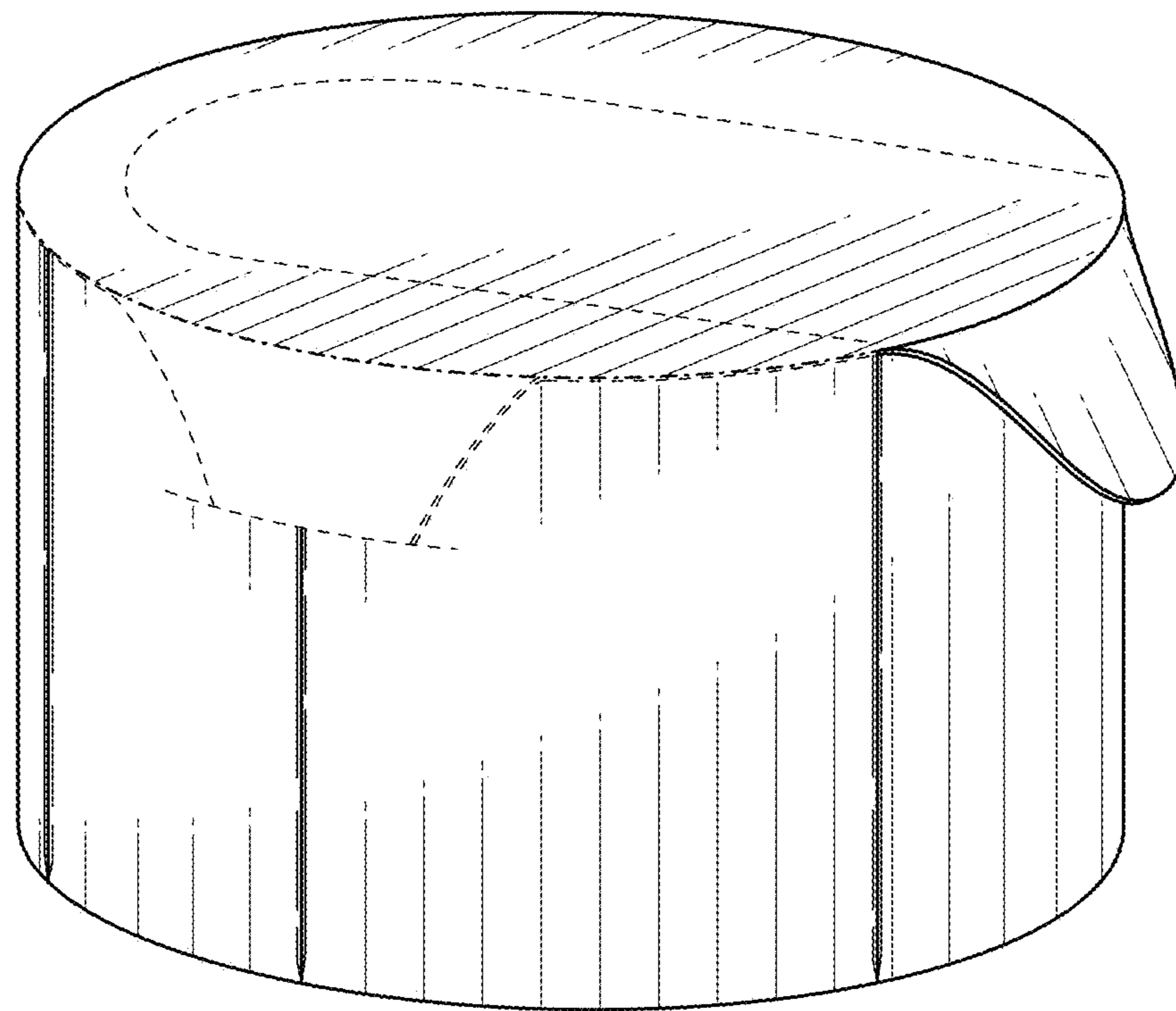


FIG. 1

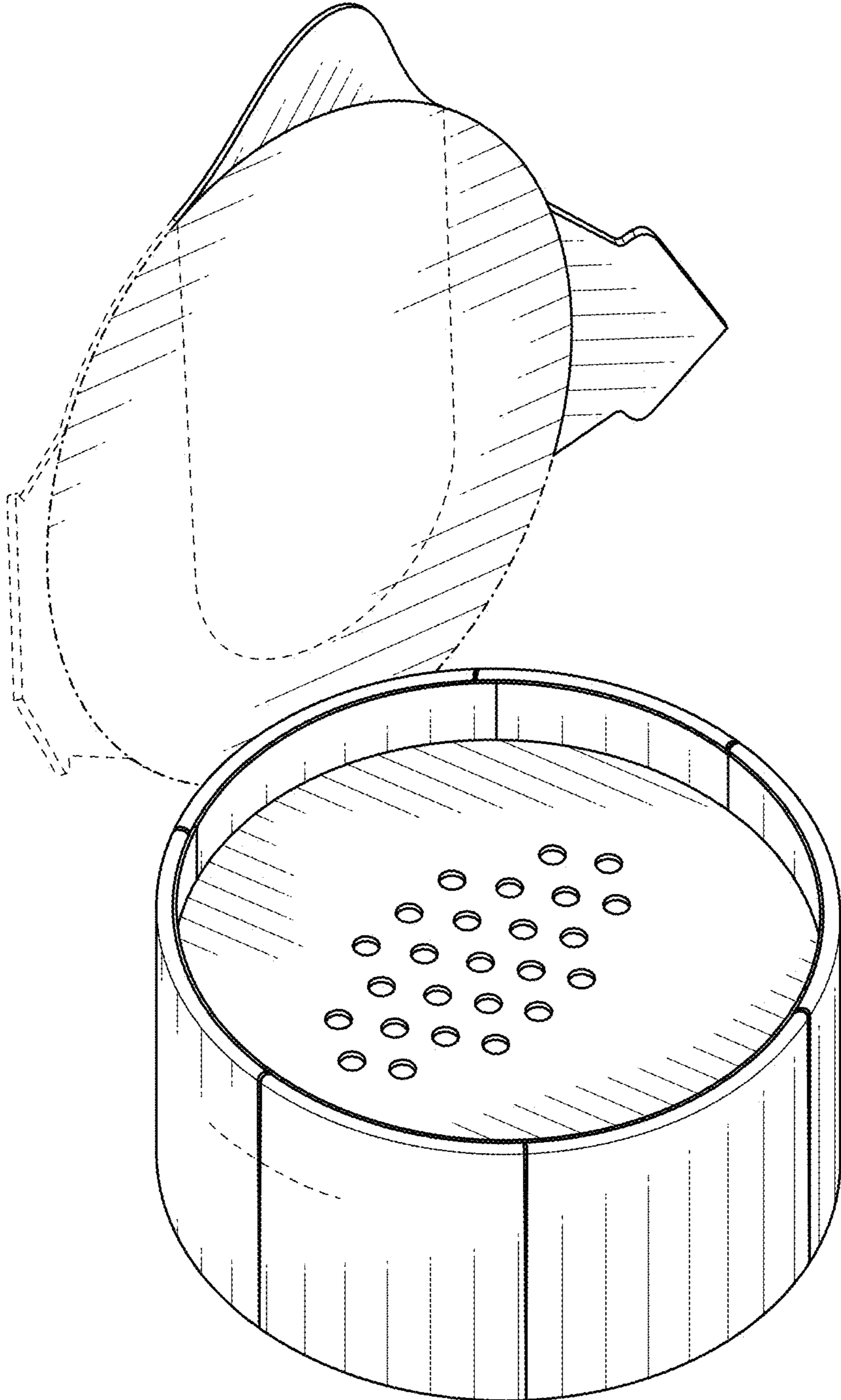


FIG. 2

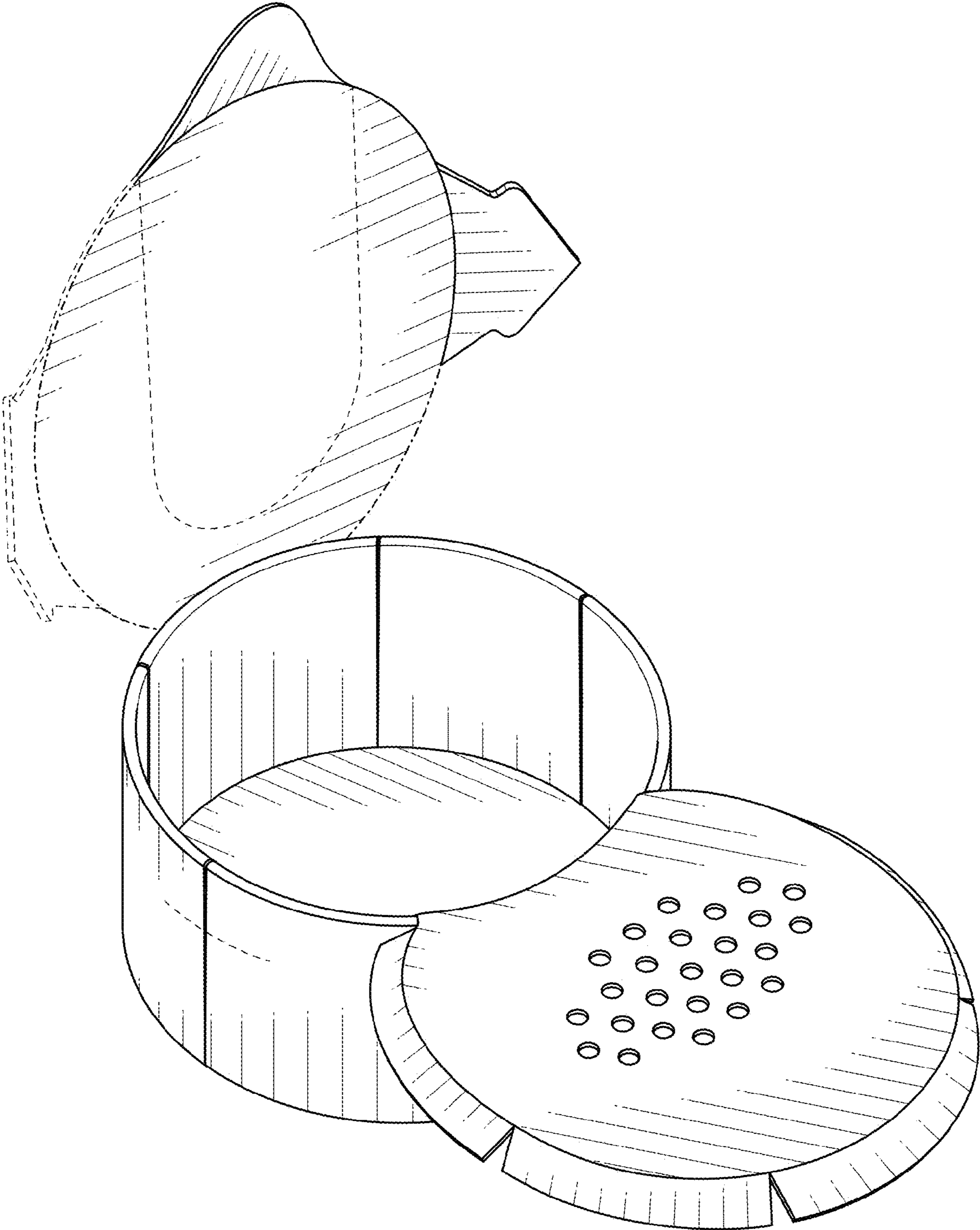


FIG. 3

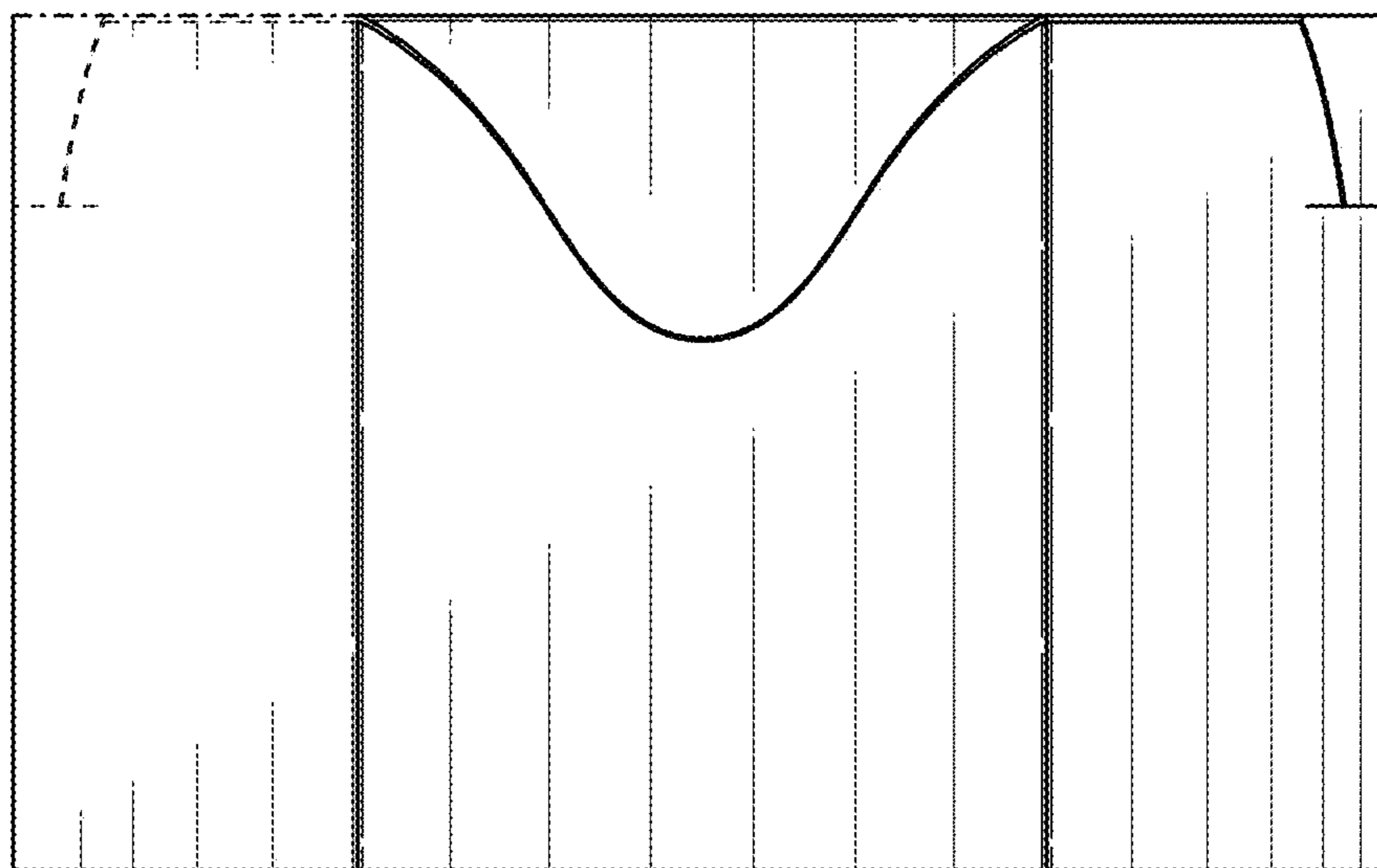


FIG. 4

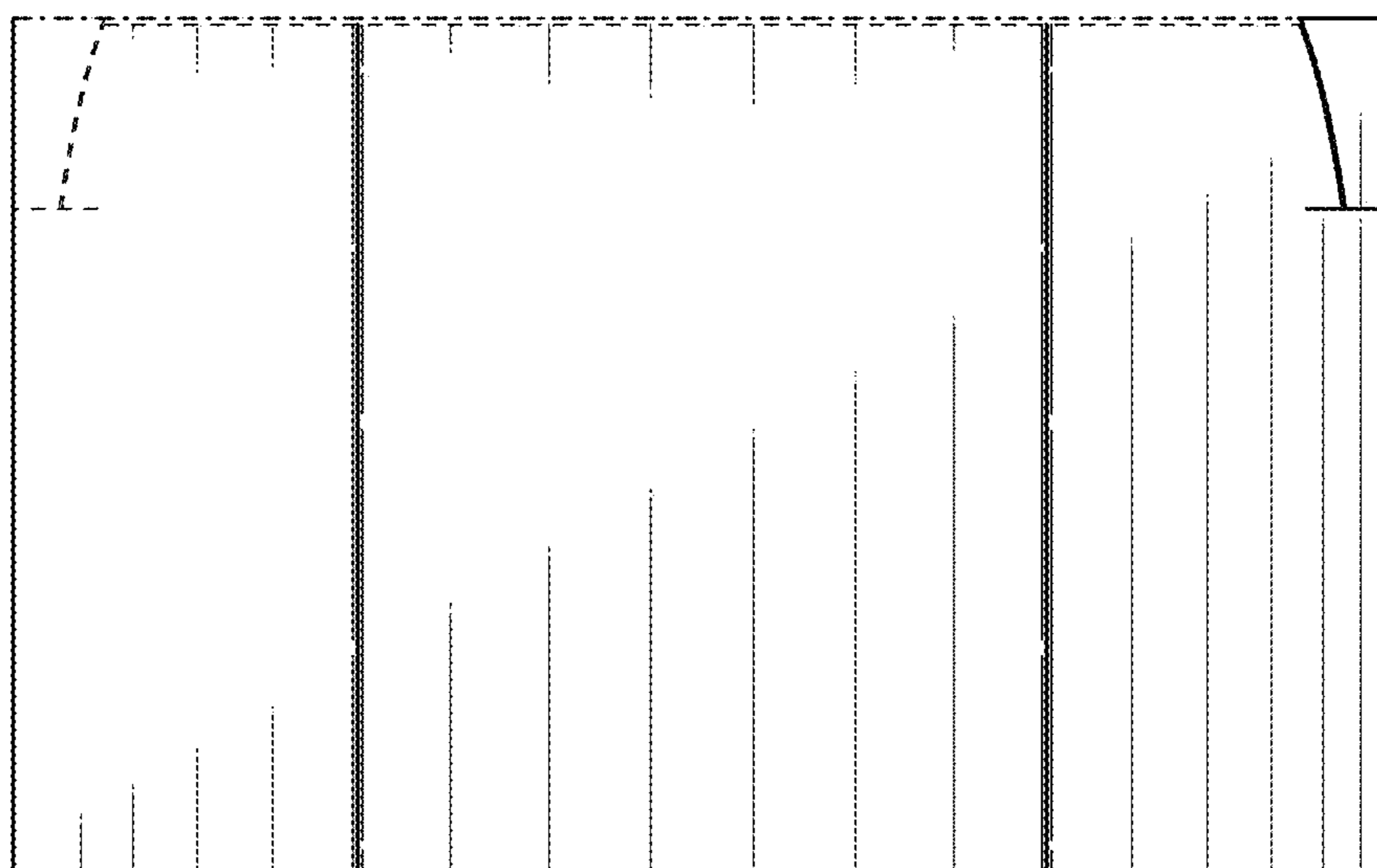


FIG. 5

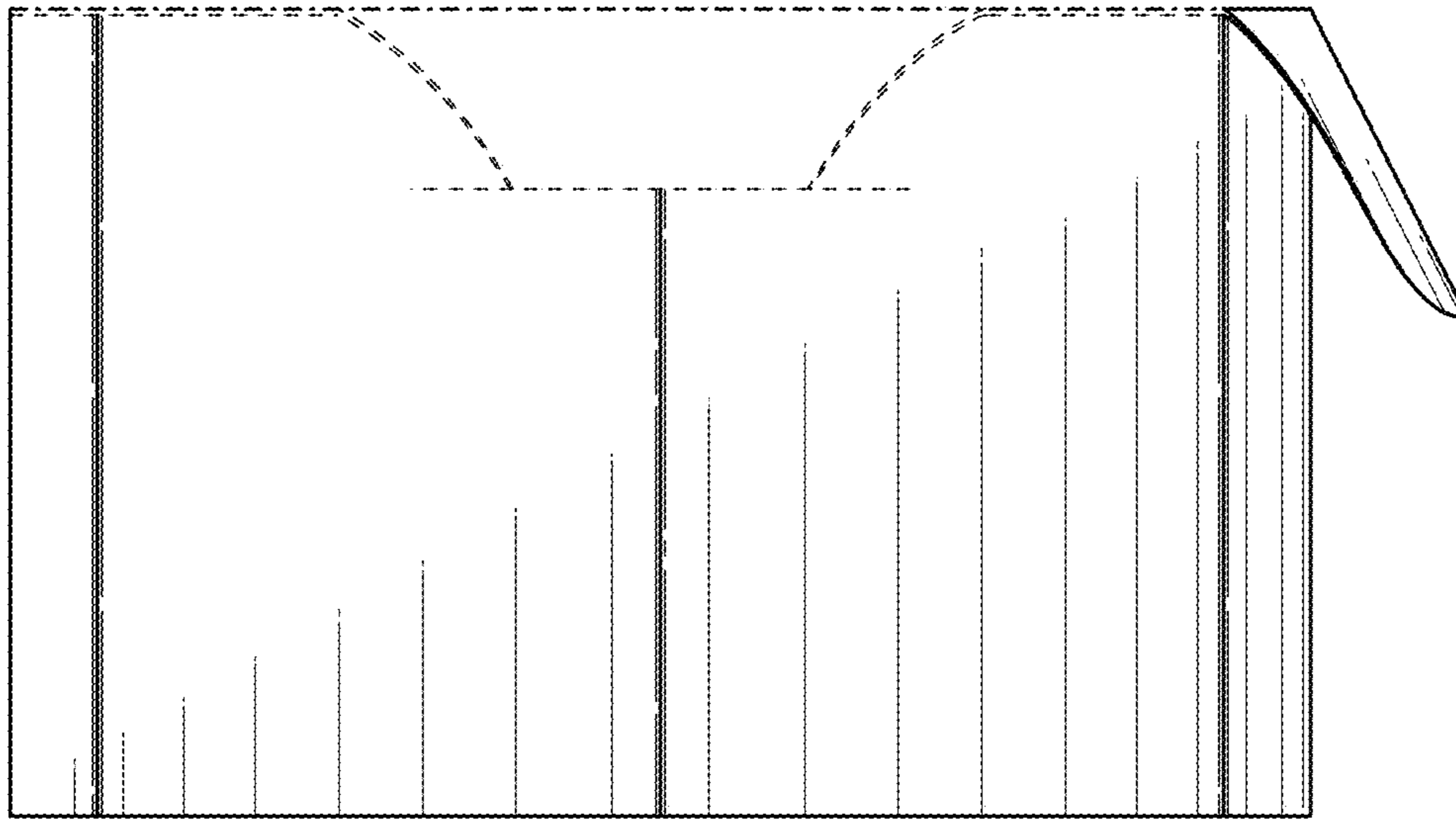


FIG. 6

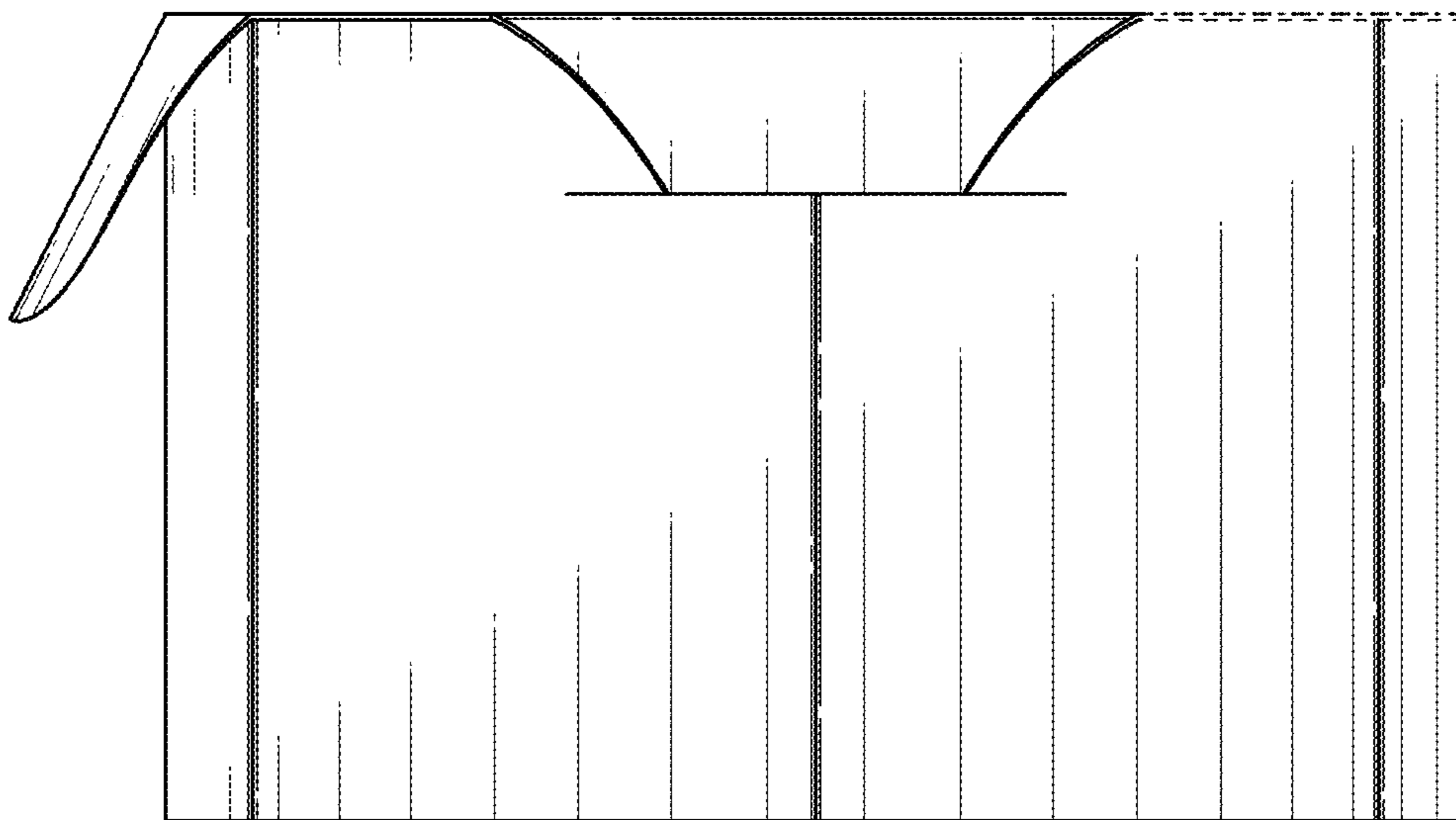


FIG. 7

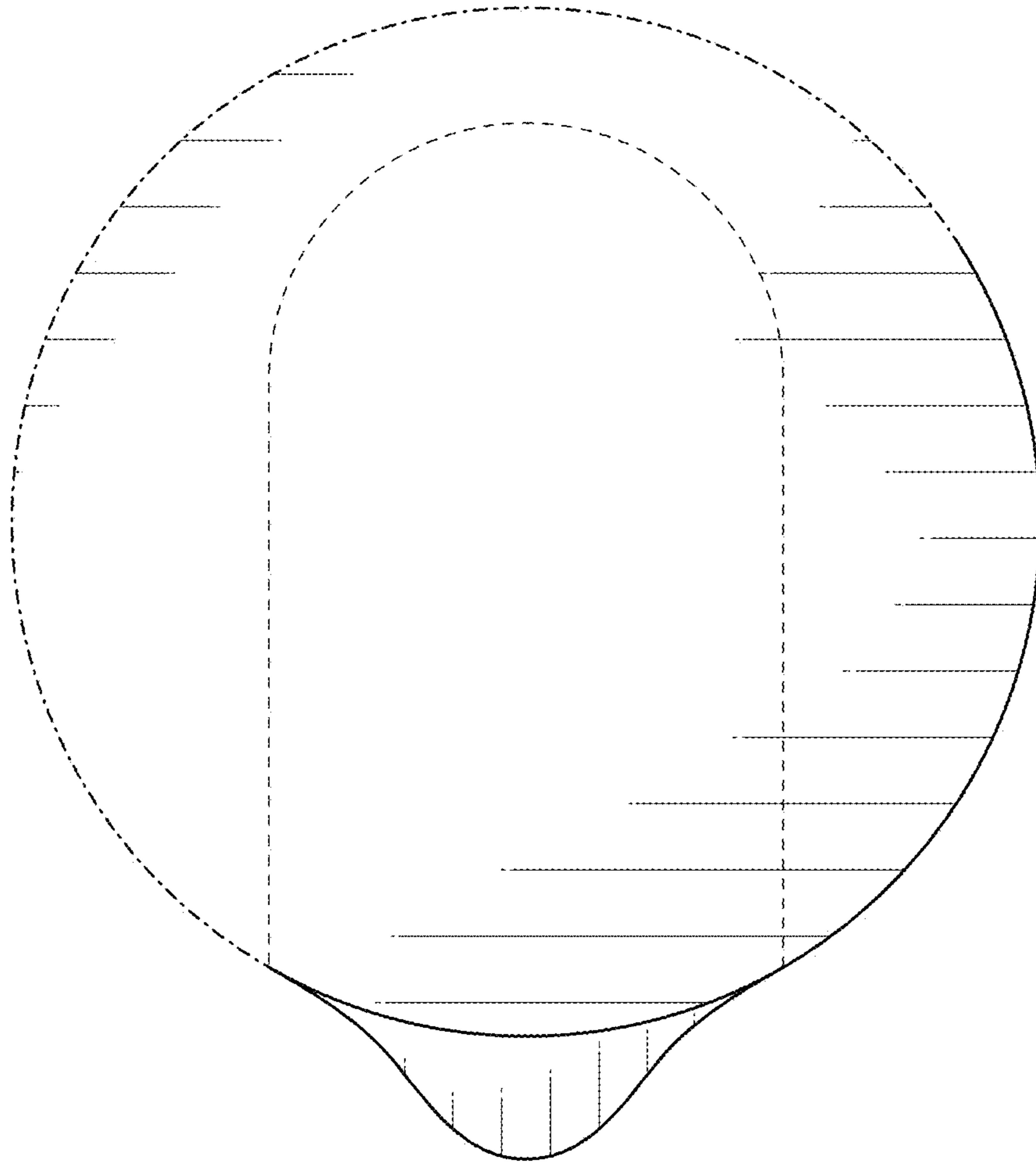


FIG. 8



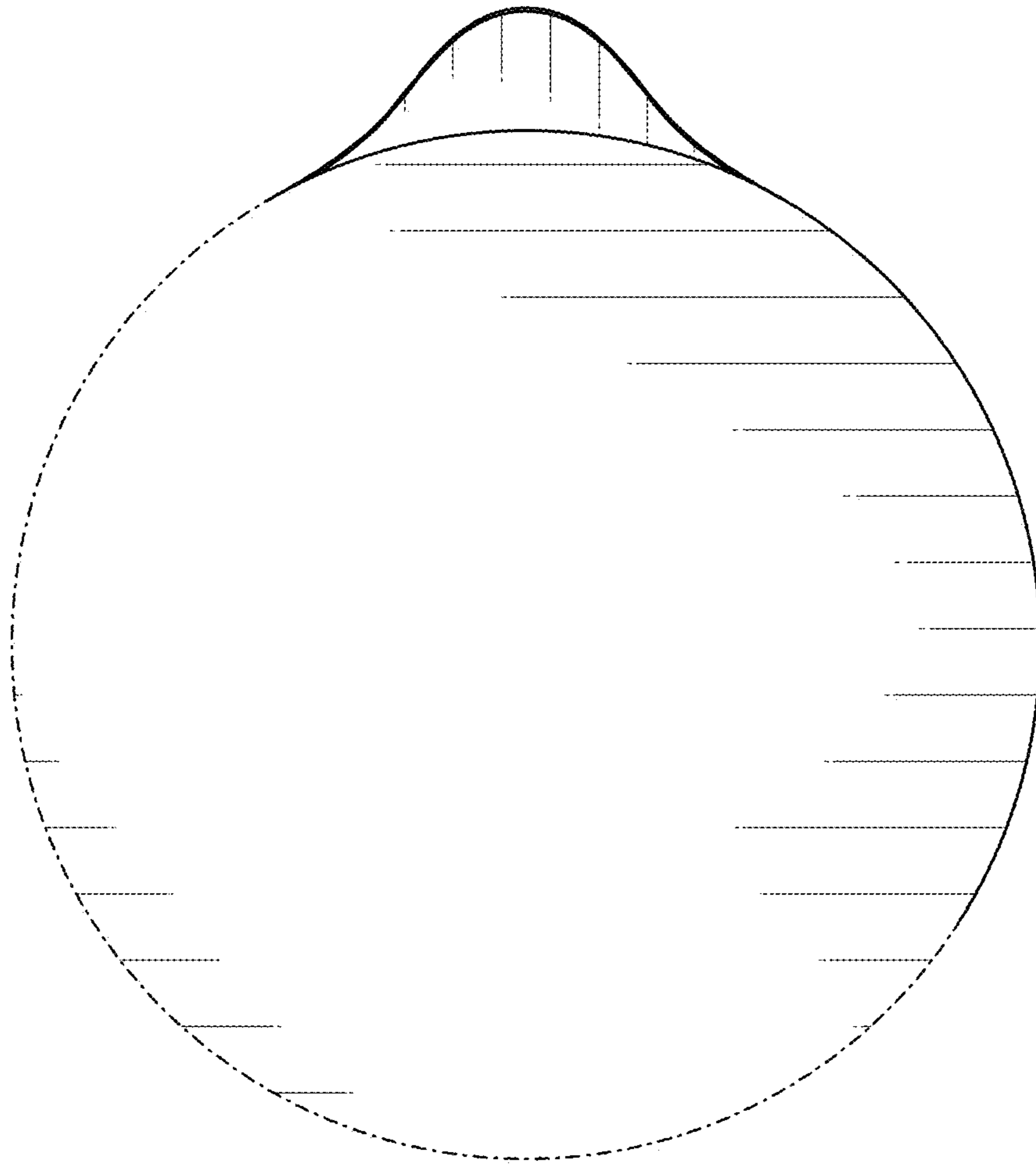


FIG. 9

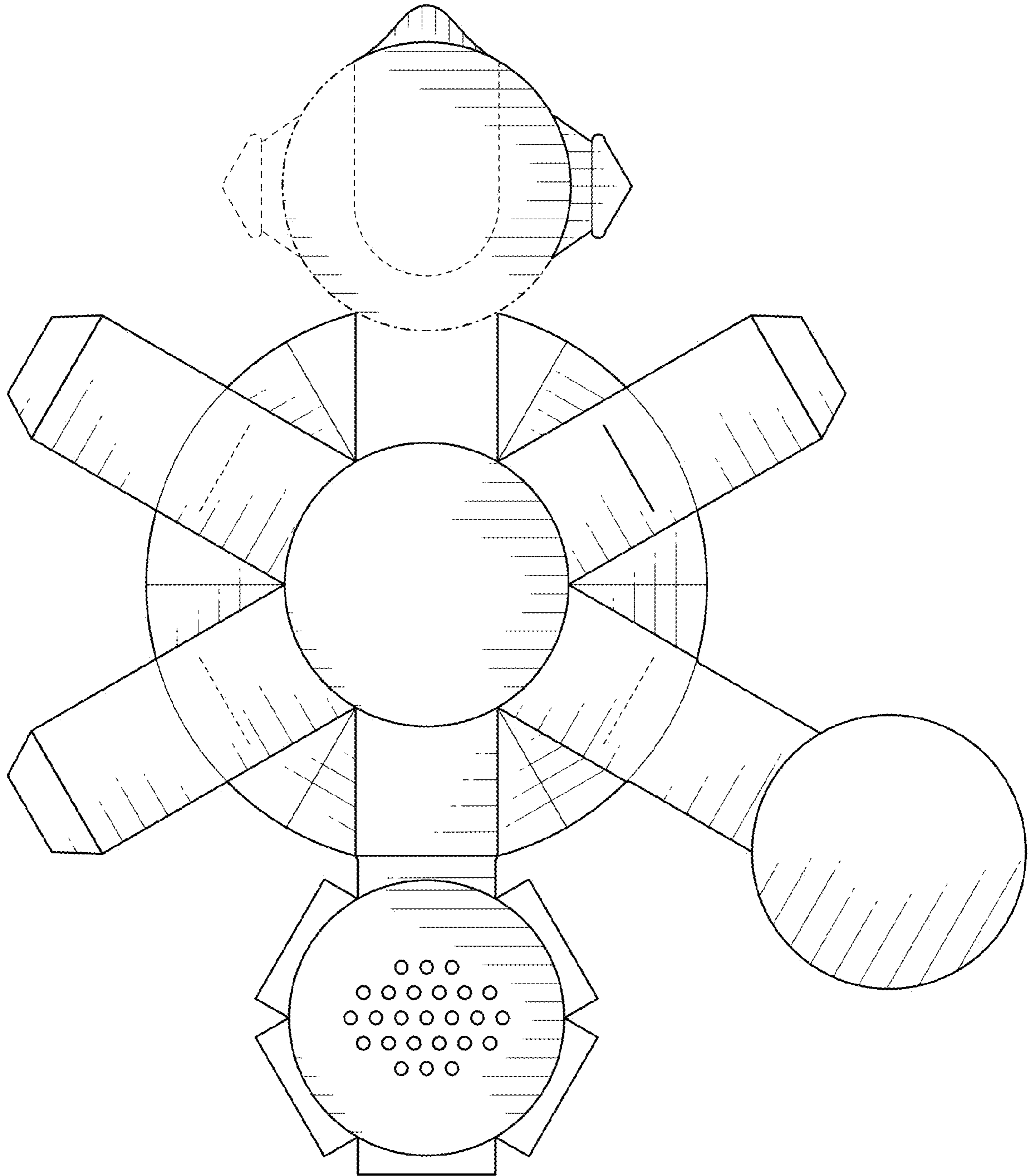


FIG. 10