



US00D877608S

(12) **United States Design Patent**
Nouhan, Jr.

(10) **Patent No.:** **US D877,608 S**
(45) **Date of Patent:** **** Mar. 10, 2020**

(54) **BOX STRUCTURE**

(71) Applicant: **Harry Peter Nouhan, Jr.**, Eastpointe, MI (US)

(72) Inventor: **Harry Peter Nouhan, Jr.**, Eastpointe, MI (US)

(**) Term: **15 Years**

(21) Appl. No.: **29/651,866**

(22) Filed: **May 16, 2019**

Related U.S. Application Data

(62) Division of application No. 29/505,778, filed on Feb. 6, 2016, now Pat. No. Des. 848,830.

(51) **LOC (12) Cl.** **09-03**

(52) **U.S. Cl.**
USPC **D9/414**

(58) **Field of Classification Search**

USPC D9/414-418, 420, 751, 756, 433, 753, D9/456; D3/313, 201; D6/672, 329; D19/27, 92; D26/118; D12/181; D7/504; D14/447; D30/161
CPC B65D 5/548; B65D 5/524; A47F 5/112; A63F 3/00094

See application file for complete search history.

(56) **References Cited**

U.S. PATENT DOCUMENTS

669,617 A	3/1901	Butterly
1,029,059 A	6/1912	Lazaron
1,518,981 A	12/1924	Hammond
1,629,907 A	5/1927	Dwyer
1,682,594 A	8/1928	Benjamin
2,032,531 A	3/1936	Eaton
2,083,000 A	6/1937	Bennard
2,134,971 A	11/1938	Guyer

2,197,451 A	4/1940	Eaton
2,432,824 A	12/1947	Shelter
2,536,312 A	4/1953	Martin
2,636,312 A	4/1953	Martin
2,744,355 A	5/1956	Delmar
2,822,176 A	2/1958	Robes
3,100,642 A	8/1963	Goldstein
3,155,392 A	11/1964	Ruderian
3,233,356 A	2/1966	Thompson
3,573,869 A	4/1971	Duckett
3,604,558 A	9/1971	Frerebeau
3,695,514 A	10/1972	Mascetti, Jr.
3,711,095 A	1/1973	Todd
3,724,122 A	4/1973	Gillespie, Sr.
3,843,124 A	10/1974	Davis
3,855,728 A	12/1974	Hynds
3,942,798 A	3/1976	Koski
3,971,156 A	7/1976	Lamlee
D244,833 S	6/1977	Persson
4,087,576 A	5/1978	Patterson
D253,659 S	12/1979	Weeks
4,176,843 A	12/1979	DeWitt, Jr.
4,301,614 A	11/1981	Newton
4,326,356 A	4/1982	Mason

(Continued)

Primary Examiner — Rhea Shields

(74) *Attorney, Agent, or Firm* — Guy McClung

(57) **CLAIM**

The ornamental design for a box structure, as shown.

DESCRIPTION

FIG. 1 is a perspective view of a box structure showing my new design.

FIG. 2 is a front view thereof;

FIG. 3 is a rear view thereof;

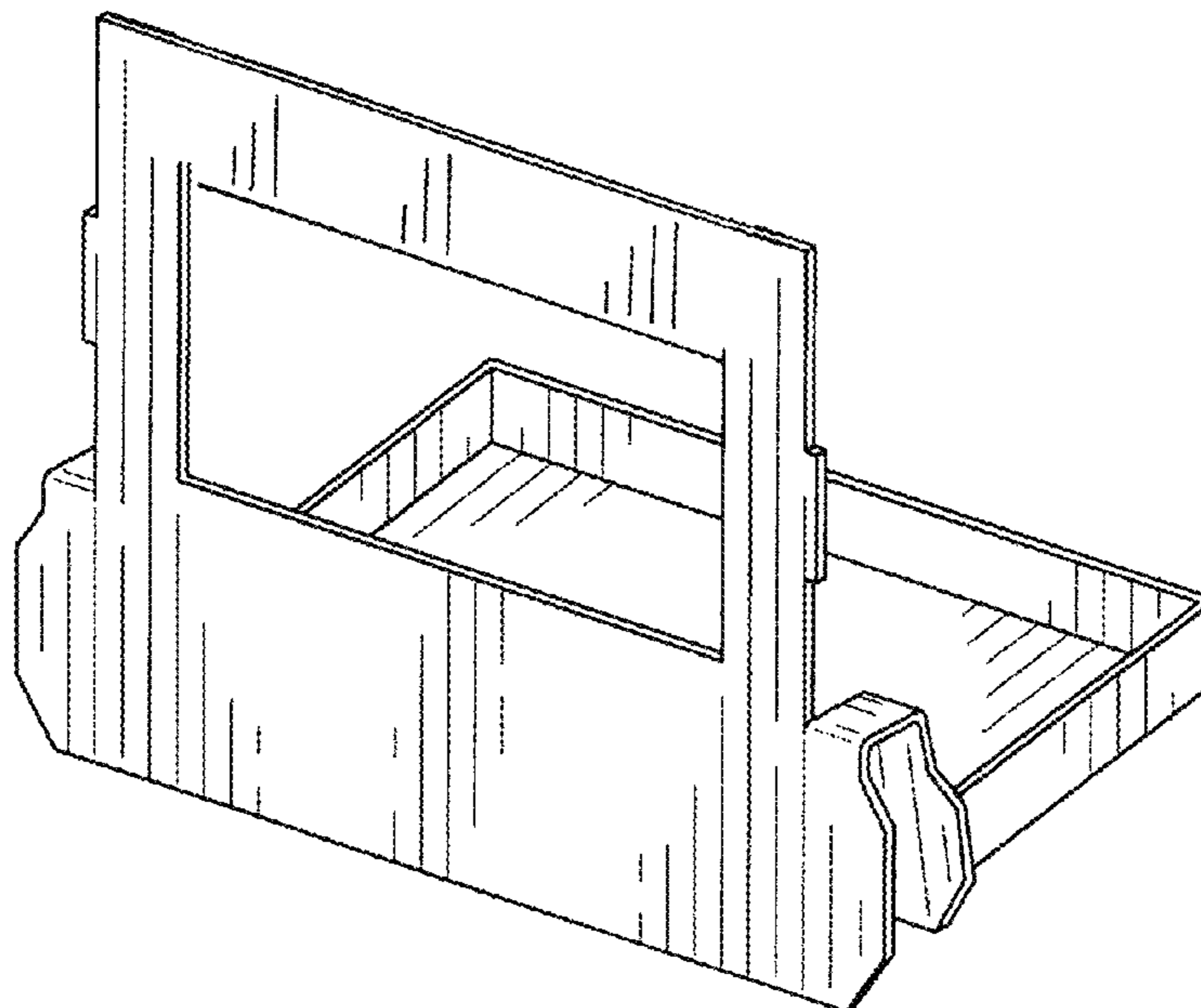
FIG. 4 is a right side view thereof;

FIG. 5 is a left side view thereof;

FIG. 6 is a top view thereof; and,

FIG. 7 is a bottom view thereof.

1 Claim, 4 Drawing Sheets



(56)

References Cited

U.S. PATENT DOCUMENTS

4,330,130 A 5/1982 Carr
 4,448,418 A 5/1984 McNeill
 4,486,023 A 12/1984 Tomoff
 4,535,928 A 8/1985 Capo
 4,648,548 A 3/1987 Shin
 4,736,955 A 4/1988 Pollock
 D295,879 S * 5/1988 Klodt D19/92
 4,802,675 A 2/1989 Cunningham
 4,919,326 A 4/1990 Deiger
 4,927,161 A 5/1990 Brenneman
 4,936,590 A 6/1990 Palmer
 4,940,441 A 7/1990 Novinsky
 4,948,979 A 8/1990 Wheatcroft
 4,974,858 A 12/1990 Knowlton
 4,989,880 A 2/1991 Gettemeier et al.
 5,056,797 A 10/1991 Hockert et al.
 5,060,955 A 10/1991 Bible
 5,173,070 A 12/1992 Gould
 5,222,657 A 6/1993 Holland, Jr.
 5,246,161 A 9/1993 Kapp
 5,263,819 A 11/1993 O'Leary et al.
 5,282,635 A 2/1994 Hopkins
 5,303,931 A 4/1994 Brown
 5,316,310 A 5/1994 Nicholas et al.
 5,318,307 A 6/1994 Bouchard et al.
 5,318,308 A 6/1994 Holms
 5,332,230 A 7/1994 Benedict
 5,382,028 A 1/1995 Sciandra et al.
 D356,680 S * 3/1995 Edgerton, Jr. D3/313
 5,419,566 A 5/1995 Byrd
 D359,180 S * 6/1995 Bedney D30/161
 5,423,552 A 6/1995 English
 D360,979 S * 8/1995 Steffenssen D3/313
 5,533,735 A 7/1996 Denney
 5,553,327 A 9/1996 Koecher et al.
 5,553,570 A 9/1996 VanNatter, III et al.
 5,586,716 A 12/1996 Correll
 5,595,339 A 1/1997 Correll
 5,655,944 A 8/1997 Fusselman
 5,657,562 A 8/1997 Desormeaux
 5,702,054 A 12/1997 Phillips et al.
 5,713,509 A 2/1998 Correll
 5,776,021 A 7/1998 Rakonjac
 5,799,938 A 9/1998 Lewis
 5,833,130 A 11/1998 Correll
 5,913,517 A 6/1999 Gaffney
 6,016,961 A 1/2000 Correll
 D420,583 S 2/2000 Cooper, Jr.

D420,853 S 2/2000 Cooper, Jr.
 6,021,941 A 2/2000 Schultz
 6,022,260 A 2/2000 Fritzel
 6,065,669 A 5/2000 Correll
 6,068,114 A 5/2000 Zimmerman et al.
 6,073,588 A 6/2000 McClung et al.
 6,120,344 A 9/2000 Brown
 D432,418 S 10/2000 Saulas
 6,136,400 A 10/2000 Katayose et al.
 6,173,957 B1 1/2001 James, Sr.
 6,206,277 B1 3/2001 Correll
 6,220,555 B1 * 4/2001 Chase A47F 5/112
 248/174
 6,241,251 B1 6/2001 Trifonov
 6,247,989 B1 6/2001 Neff
 D449,520 S 10/2001 DiZoglio, III
 6,585,551 B2 7/2003 McClung et al.
 6,719,143 B2 * 4/2004 Rice B65D 5/524
 206/746
 6,755,711 B2 6/2004 McClung et al.
 D503,337 S * 3/2005 Selby D9/433
 7,097,038 B2 * 8/2006 Kinigakis B65D 5/548
 206/541
 D536,615 S * 2/2007 Dziaba D9/433
 7,219,795 B2 * 5/2007 Poux B44D 7/00
 206/1.7
 7,270,332 B2 9/2007 McClung et al.
 D566,387 S * 4/2008 Seaborn D3/254
 D579,836 S * 11/2008 Vanaria D12/181
 D583,661 S * 12/2008 Mattila D9/433
 D591,593 S * 5/2009 Stannard D9/756
 D643,306 S * 8/2011 Martinez D9/721
 D669,692 S * 10/2012 Chen D6/329
 D674,292 S * 1/2013 Klich D19/27
 D683,213 S 5/2013 Clegg
 D683,624 S 6/2013 Terlesky et al.
 D687,645 S * 8/2013 Tapper D6/672
 D695,634 S * 12/2013 Holsmer D9/753
 D713,249 S * 9/2014 Rego D9/456
 D715,806 S * 10/2014 An D14/447
 D729,073 S * 5/2015 Wasilewski D9/753
 D747,192 S 1/2016 Nietert et al.
 D753,440 S * 4/2016 Esquivel D7/504
 D814,784 S * 4/2018 Barlier D3/201
 D816,891 S * 5/2018 Sonneman D26/118
 D848,830 S * 5/2019 Nouhan, Jr. D9/414
 2009/0058003 A1 3/2009 Nouhan, Jr.
 2011/0169220 A1 7/2011 Nouhan, Jr.
 2017/0225066 A1 * 8/2017 Nouhan, Jr. A63F 3/00094

* cited by examiner

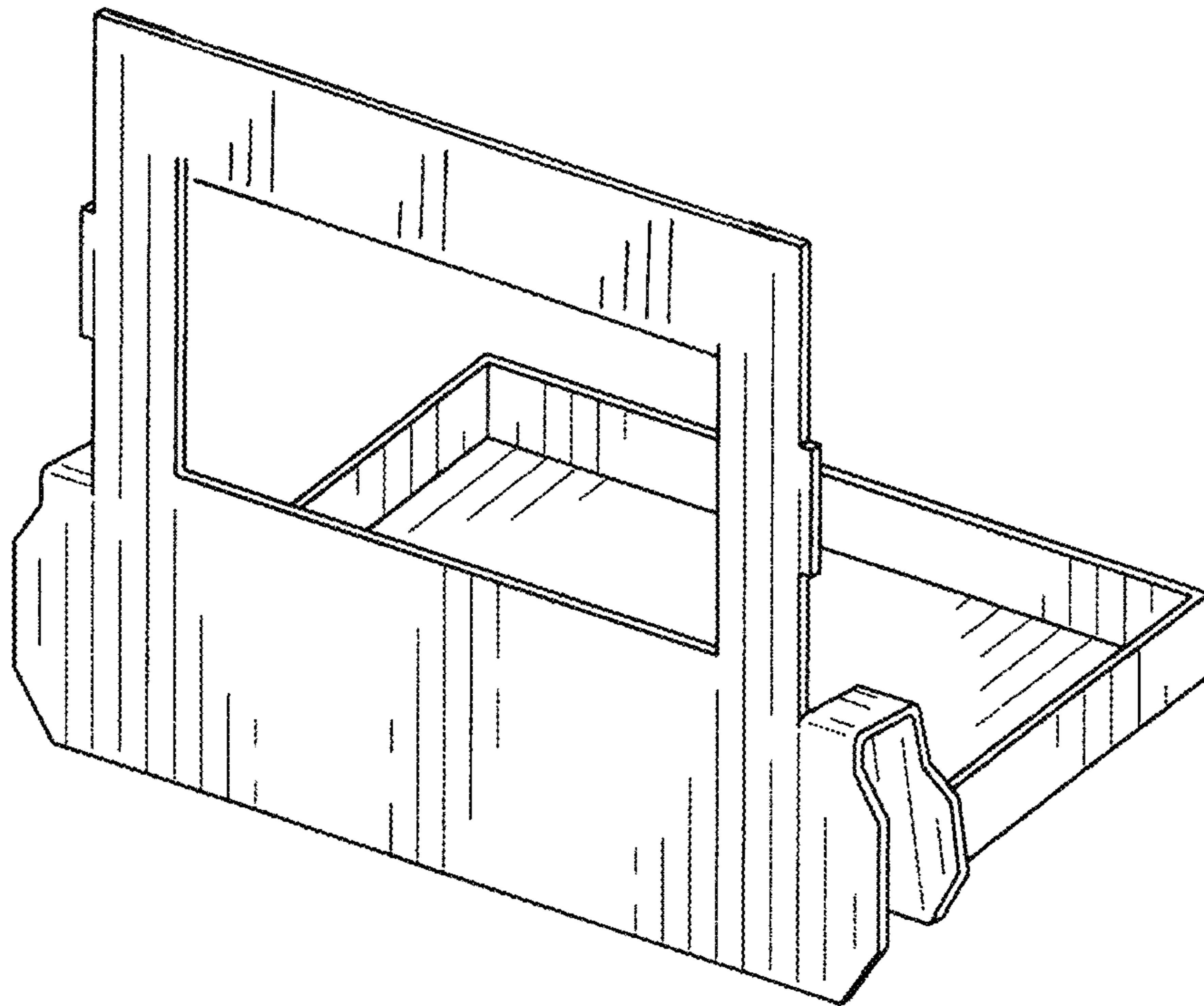


Fig. 1

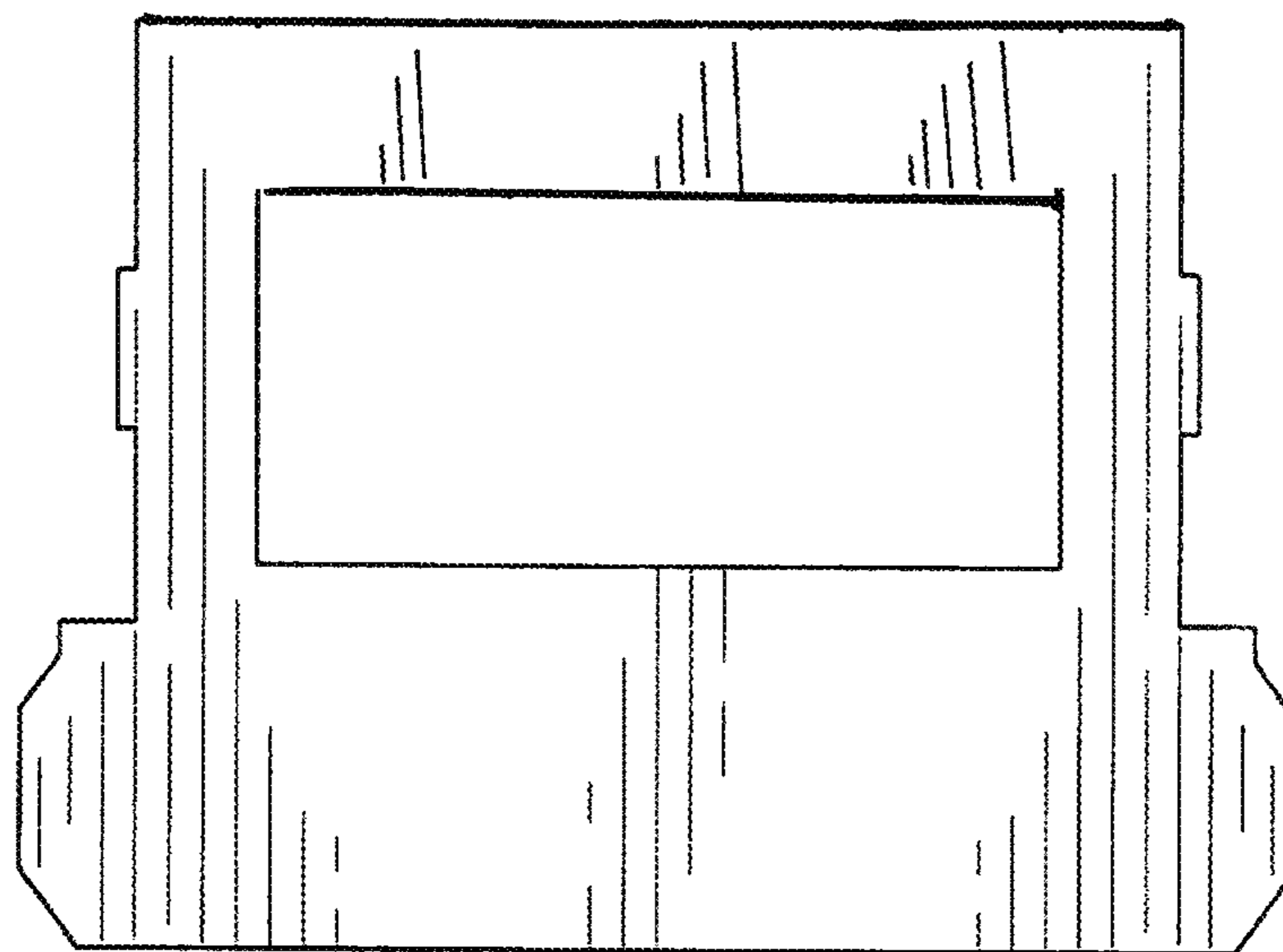


Fig. 2

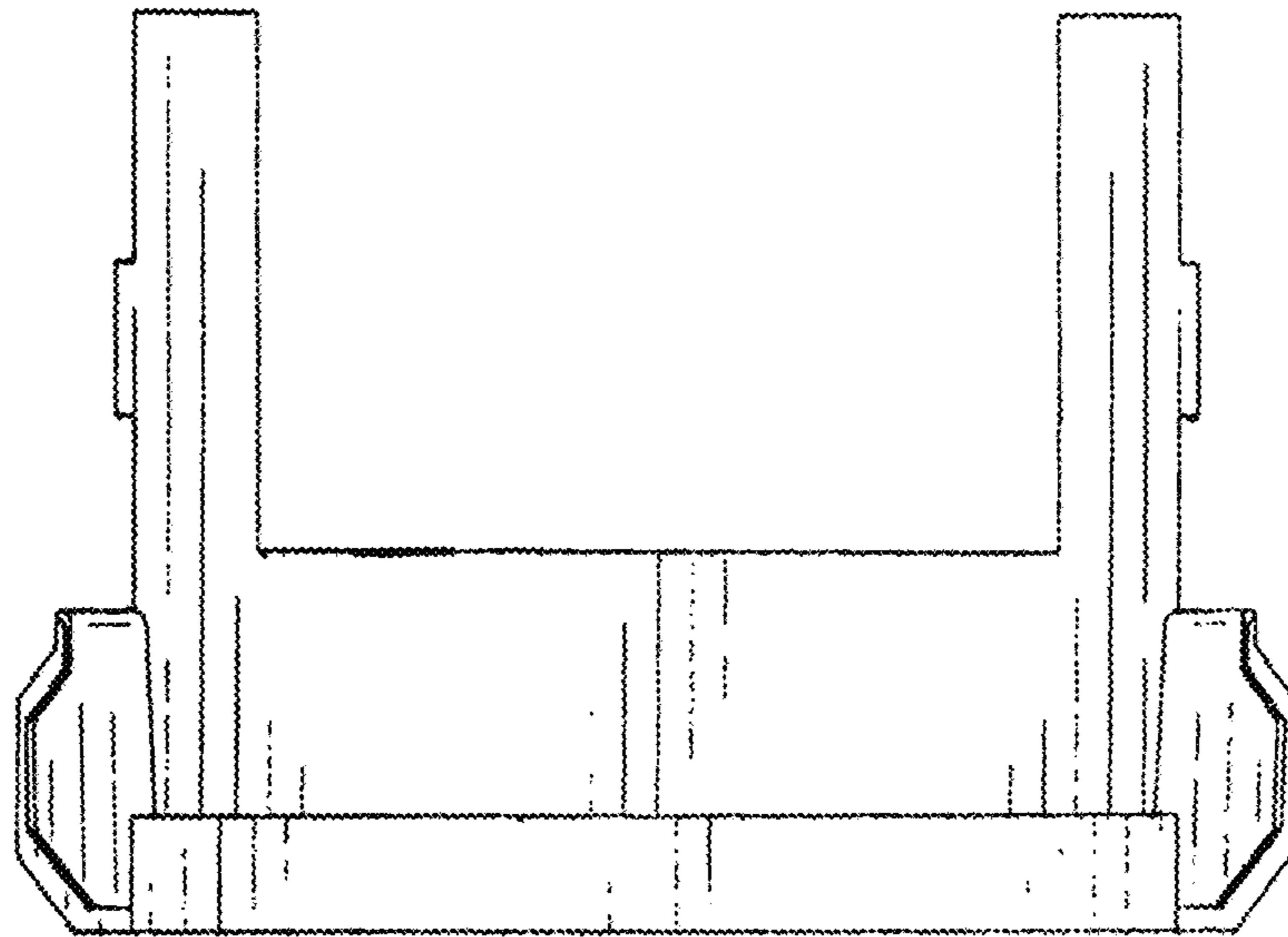


Fig. 3

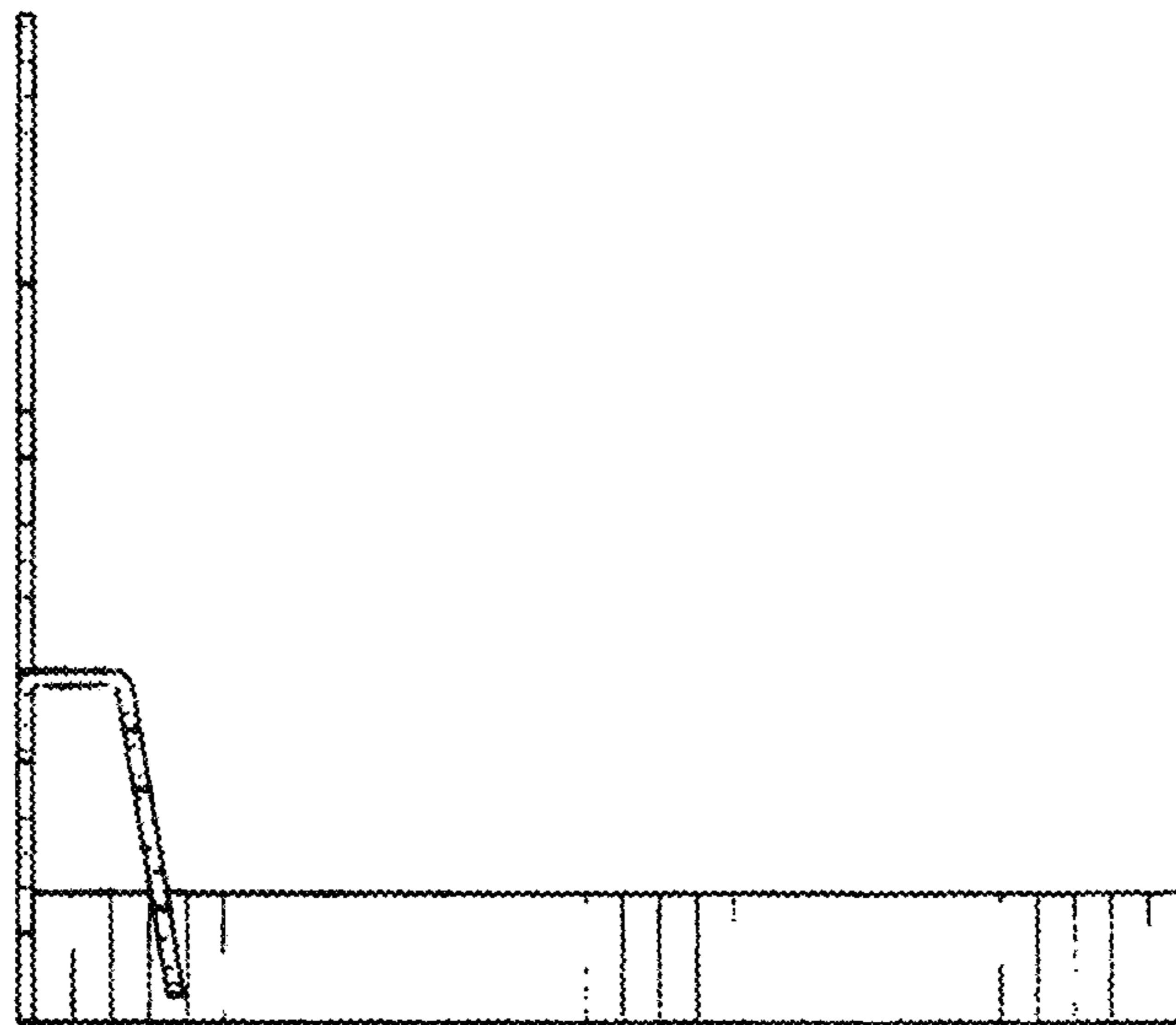


Fig. 4

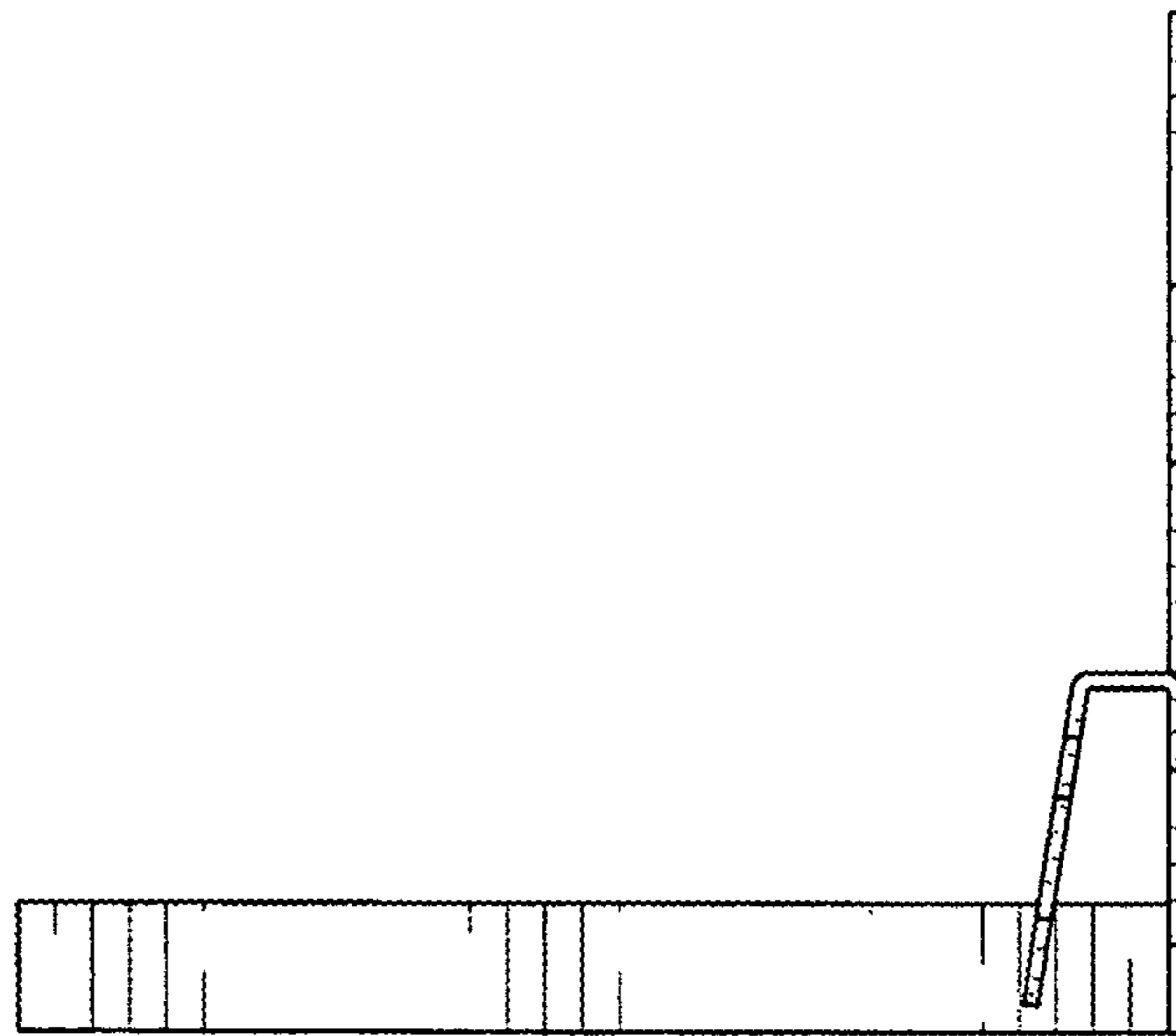


Fig. 5

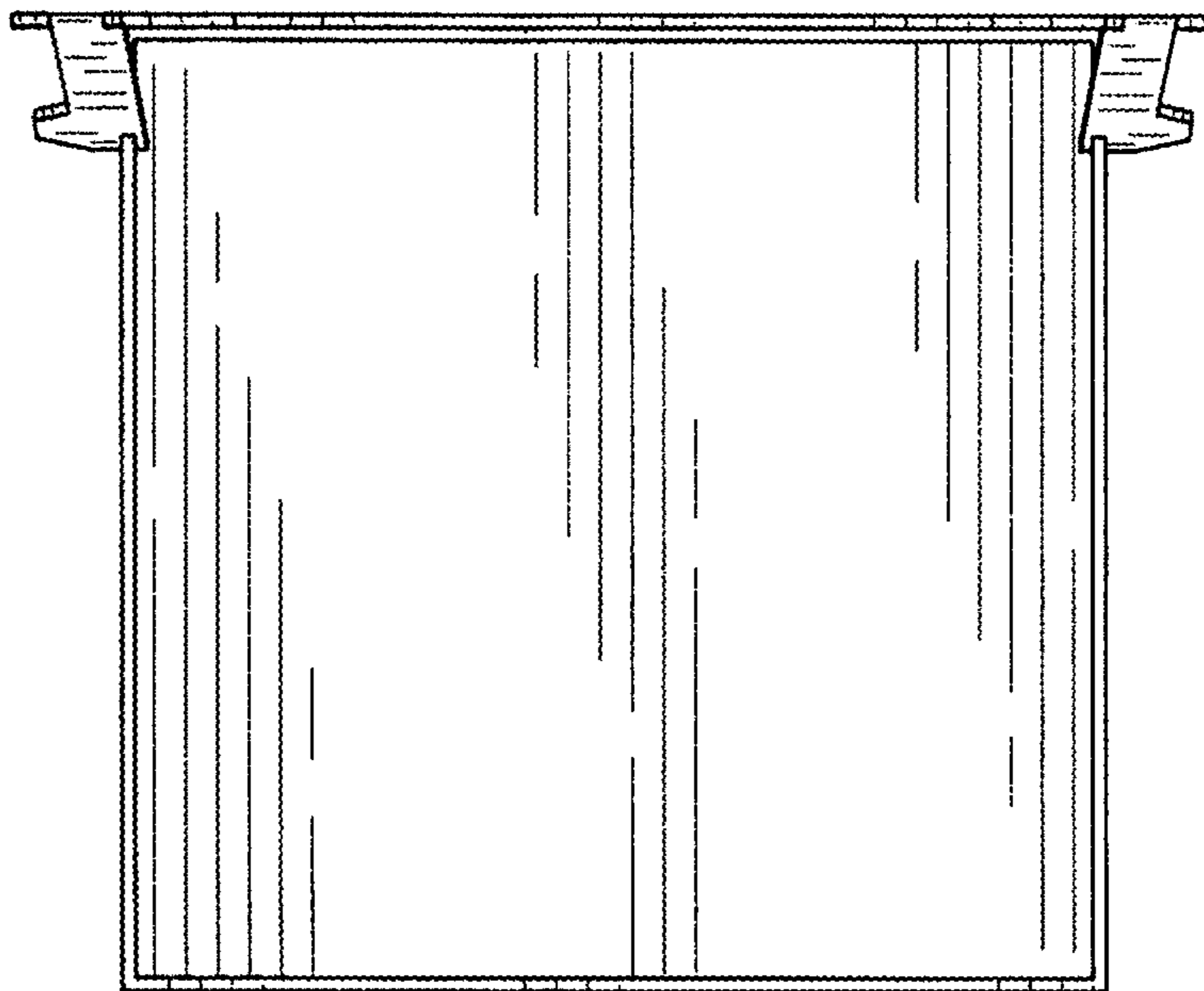


Fig. 6

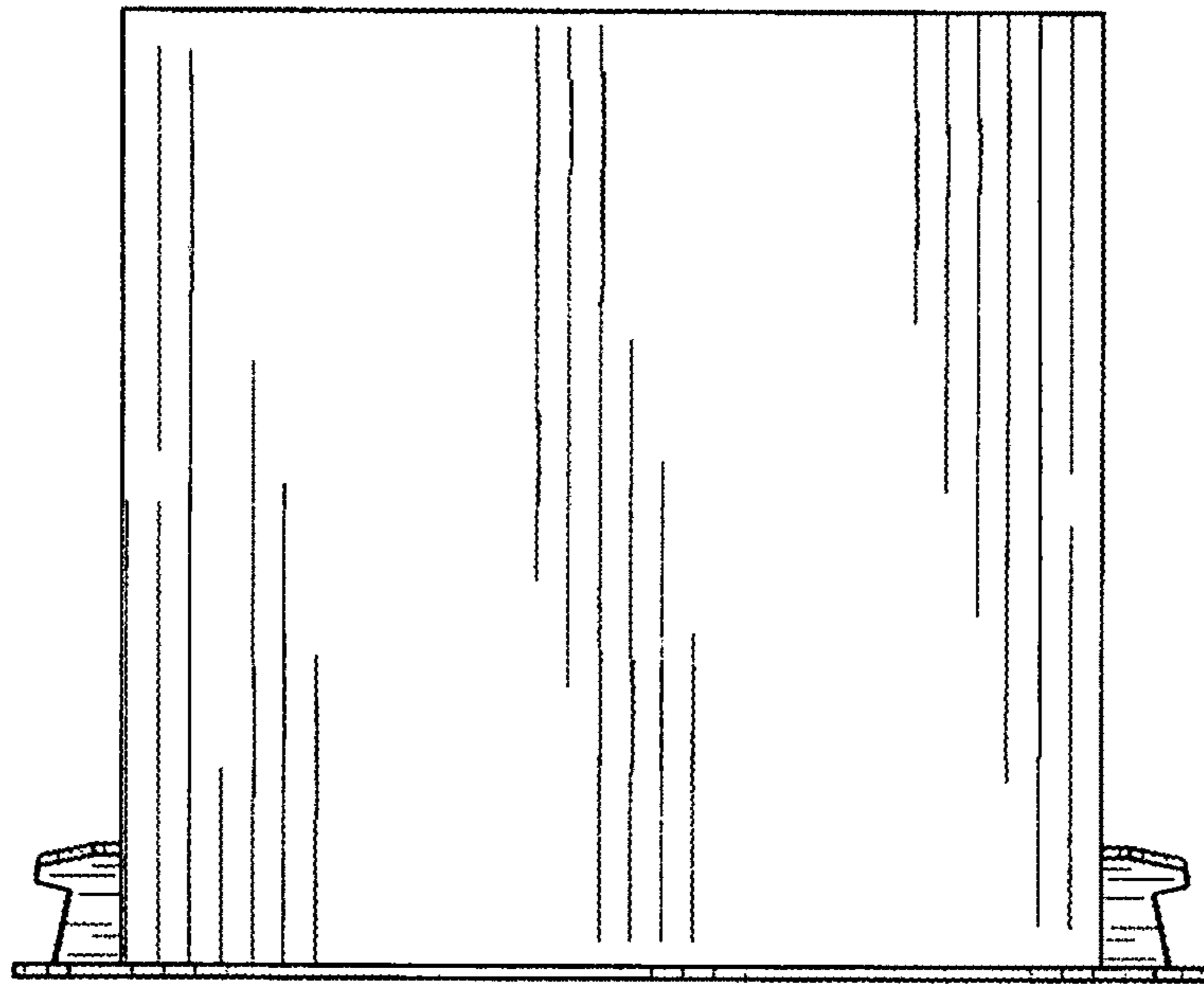


Fig. 7