

US00D877605S

(12) **United States Design Patent**
Zeilinger

(10) **Patent No.:** **US D877,605 S**

(45) **Date of Patent:** **** Mar. 10, 2020**

- (54) **ROOF SUPPORT CLIP**
- (71) Applicant: **James E Zeilinger**, Cleveland, OH
(US)
- (72) Inventor: **James E Zeilinger**, Cleveland, OH
(US)
- (**) Term: **15 Years**
- (21) Appl. No.: **29/651,012**
- (22) Filed: **Oct. 20, 2017**
- (51) **LOC (12) Cl.** **08-08**
- (52) **U.S. Cl.**
USPC **D8/394**
- (58) **Field of Classification Search**
USPC D8/354, 382, 394, 395, 396, 499;
D25/76, 88, 98; D1/120, 129, 199
CPC A23P 10/10; A23G 3/56; A23G 3/343;
A21D 13/24; A21D 13/47
See application file for complete search history.

- D297,112 S * 8/1988 Holdaway D8/373
- D298,738 S * 11/1988 Rumpel D8/371
- D304,421 S * 11/1989 Holdaway D8/37
- D306,875 S 3/1990 Coccagna D19/65
- 4,965,969 A * 10/1990 Antenen E04D 13/076
248/48.1
- D312,706 S 12/1990 Janesko D26/138
- D318,785 S * 8/1991 Dean 52/696
- D341,078 S * 11/1993 Saavedra D8/395
- D352,963 S 11/1994 Siler D19/83
- D363,453 S 10/1995 Herdt D11/78.1
- 5,570,860 A * 11/1996 Schoenherr E04D 13/0725
248/48.2
- D381,361 S 7/1997 Sato D19/65
- D410,192 S * 5/1999 Giese D8/354
- 6,047,502 A * 4/2000 Kimmitt E04D 13/076
52/11
- D437,546 S * 2/2001 McElroy, Jr. D8/380
- D438,778 S * 3/2001 Ribe D8/354
- D463,575 S 9/2002 Daudet D25/61
- D468,812 S * 1/2003 Doyle D23/267
- D471,788 S * 3/2003 Gebara D8/354

(Continued)

Primary Examiner — Steven J Czyz

(74) *Attorney, Agent, or Firm* — David A. Burge;
Benjamin D. Burge

(56) **References Cited**

U.S. PATENT DOCUMENTS

- D30,630 S 4/1899 Caldwell D8/395
- 1,675,286 A 6/1928 Van Valkenburg 24/555
- D265,625 S * 8/1982 Buck D8/354
- D267,775 S 2/1983 Holcombe D8/354
- 4,395,852 A * 8/1983 Tang E04D 13/076
52/12
- 4,431,395 A * 2/1984 Babos A21B 3/13
249/133
- D272,886 S 3/1984 Holcombe D8/354
- 4,466,223 A 8/1984 Palacio E04B 1/2612
52/404.5
- 4,467,570 A * 8/1984 Kriegel E04D 13/076
210/162
- D277,546 S 2/1985 Trotta D8/349
- 4,506,479 A * 3/1985 Matthison-Hansen
E04D 13/0722
52/15

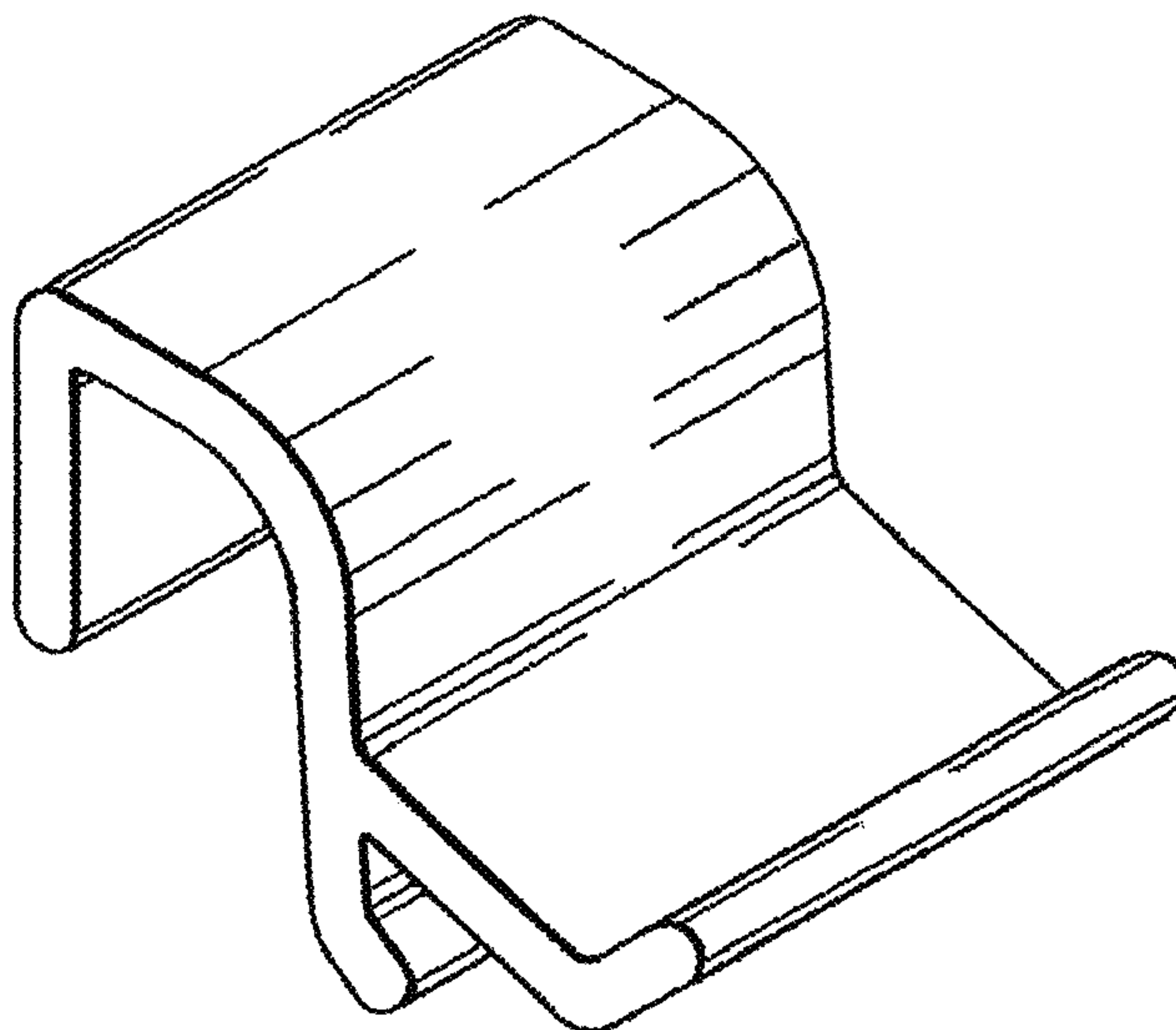
(57) **CLAIM**

I claim the ornamental design for a roof support clip, as shown and described.

DESCRIPTION

FIG. 1 is a top, front and left side perspective view of a roof support clip showing my new design;
FIG. 2 is a front view thereof;
FIG. 3 is a rear view thereof;
FIG. 4 is a top view thereof;
FIG. 5 is a bottom view thereof; and,
FIG. 6 is a left side view thereof, it being understood that a right side view thereof is a mirror image hereof.

1 Claim, 1 Drawing Sheet



(56)

References Cited

U.S. PATENT DOCUMENTS

D472,456 S * 4/2003 Snyder D8/353
 D481,932 S * 11/2003 Bess D25/141
 D492,351 S 6/2004 Sato et al. D19/65
 6,959,512 B2 * 11/2005 Cobb E04D 13/0481
 219/213
 D516,904 S 3/2006 Kendrick D8/395
 D526,356 S 8/2006 Shinya D19/65
 D532,291 S * 11/2006 Geers D8/394
 D548,668 S * 8/2007 Walton D12/317
 D557,112 S * 12/2007 Franssen D8/349
 D559,053 S * 1/2008 Tsuda D8/14
 D581,311 S 11/2008 Cornett D11/78.1
 D608,190 S * 1/2010 Jimenez D8/395
 D612,919 S * 3/2010 DeHart, Sr. D23/267
 D631,740 S 2/2011 Wood D8/396
 D653,941 S 2/2012 Yasher D8/395
 8,225,556 B2 * 7/2012 Brown E04D 13/076
 248/48.1

D702,533 S 4/2014 Noturno E04G 21/1891
 D8/354
 D722,494 S 2/2015 Ramsauer D8/395
 D739,709 S * 9/2015 Wright D8/354
 D745,381 S 12/2015 Head, Jr. D8/395
 D751,024 S * 3/2016 Burhanidust D12/223
 D759,475 S 6/2016 Banno D8/395
 D767,382 S * 9/2016 Libreiro D25/119
 D781,681 S * 3/2017 Nagaki D8/354
 9,587,427 B2 * 3/2017 Webb E06B 9/02
 9,631,369 B2 * 4/2017 Cullen E04D 13/068
 D821,858 S * 7/2018 Bergelin D8/382
 D831,175 S * 10/2018 Jackson D23/267
 D834,397 S * 11/2018 Macdonald D8/349
 D834,398 S * 11/2018 Macdonald D8/349
 D834,399 S * 11/2018 Macdonald D8/349
 D834,400 S * 11/2018 Macdonald D8/349
 10,190,318 B2 * 1/2019 Iannelli E04D 13/0725
 2002/0092259 A1 7/2002 Crawford E04B 7/022
 52/696
 2019/0116809 A1 * 4/2019 Zeilinger A21D 13/47
 2019/0116861 A1 * 4/2019 Zeilinger A23P 10/10

* cited by examiner

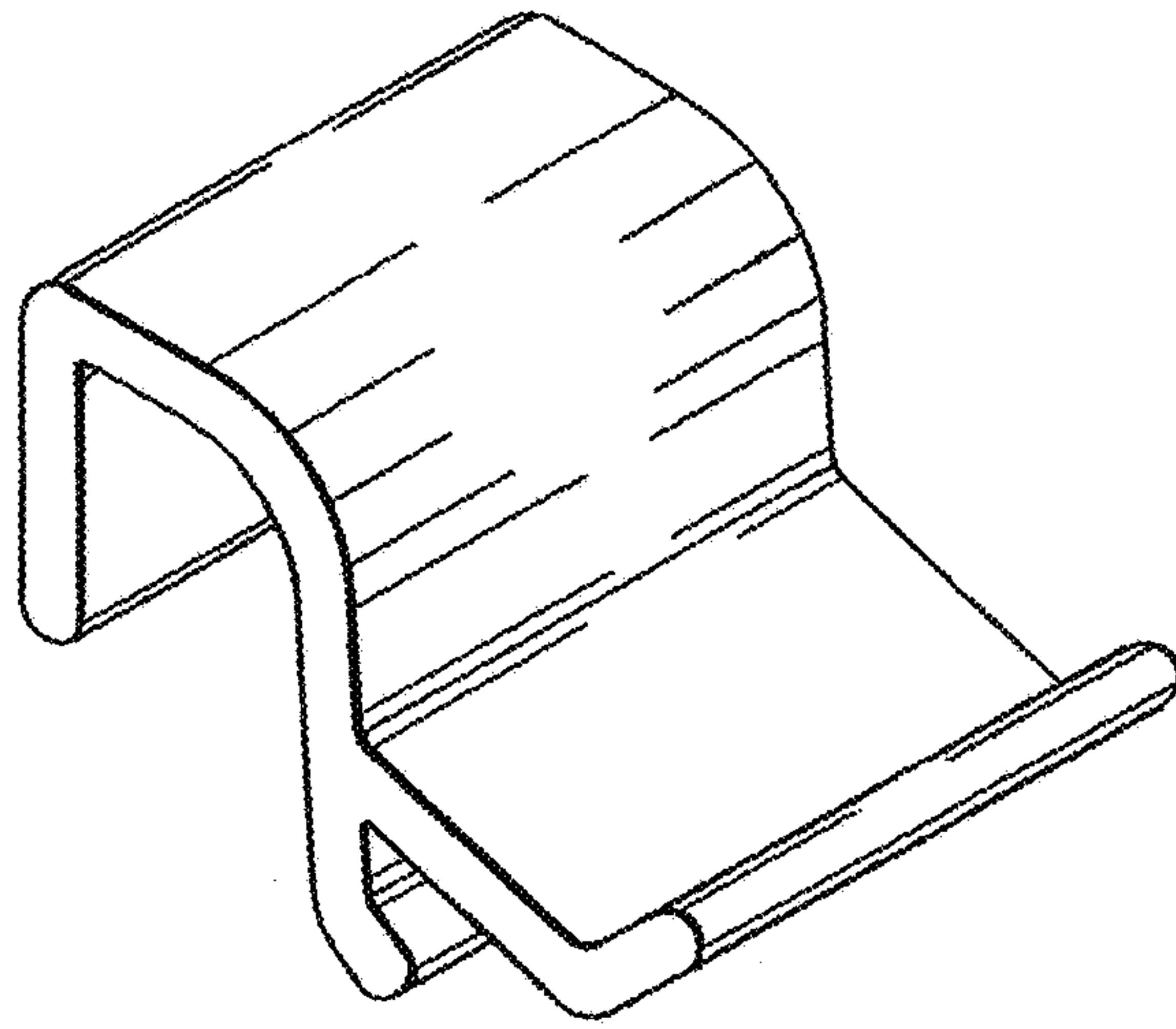


FIG. 1

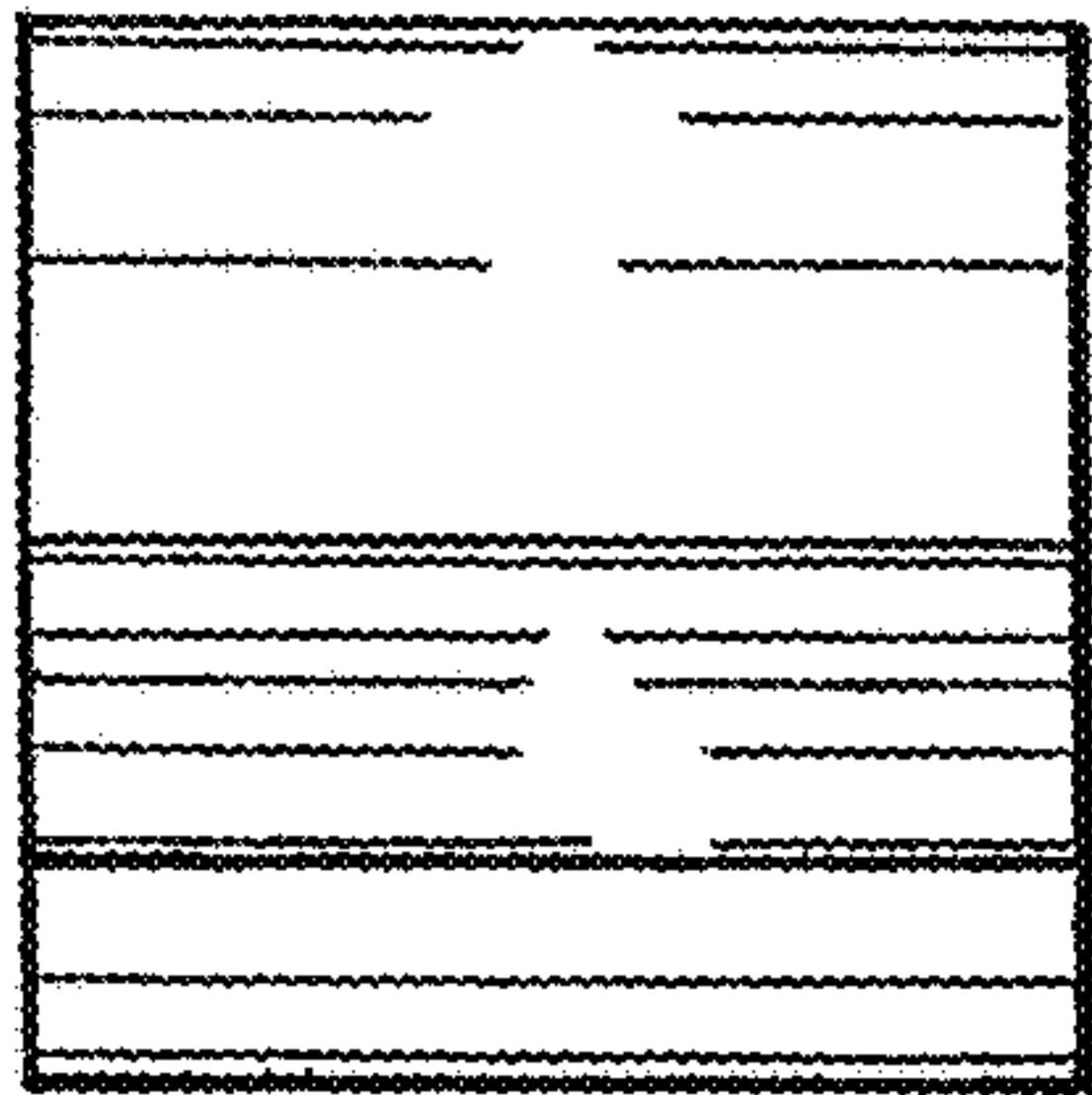


FIG. 2

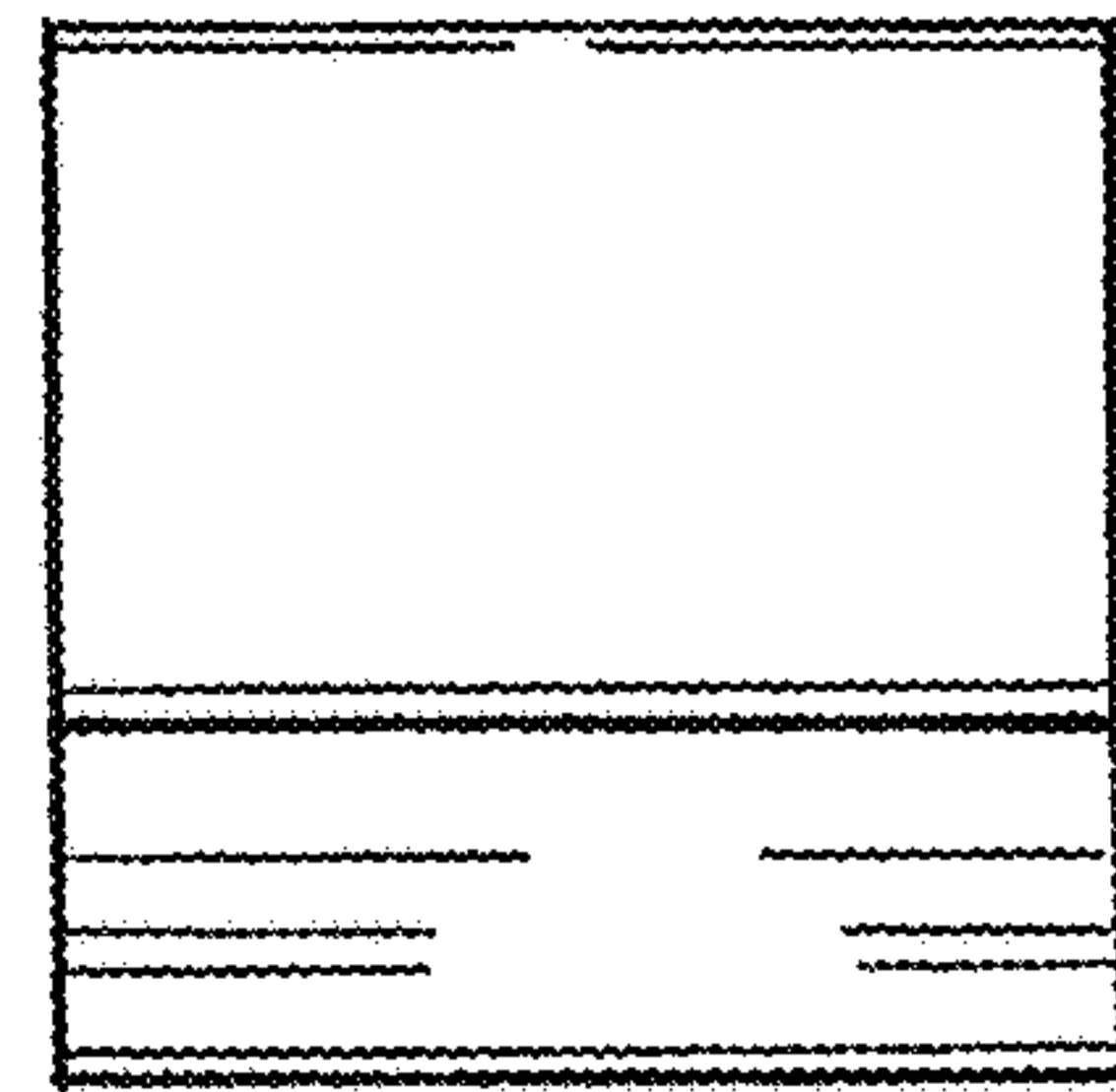


FIG. 3

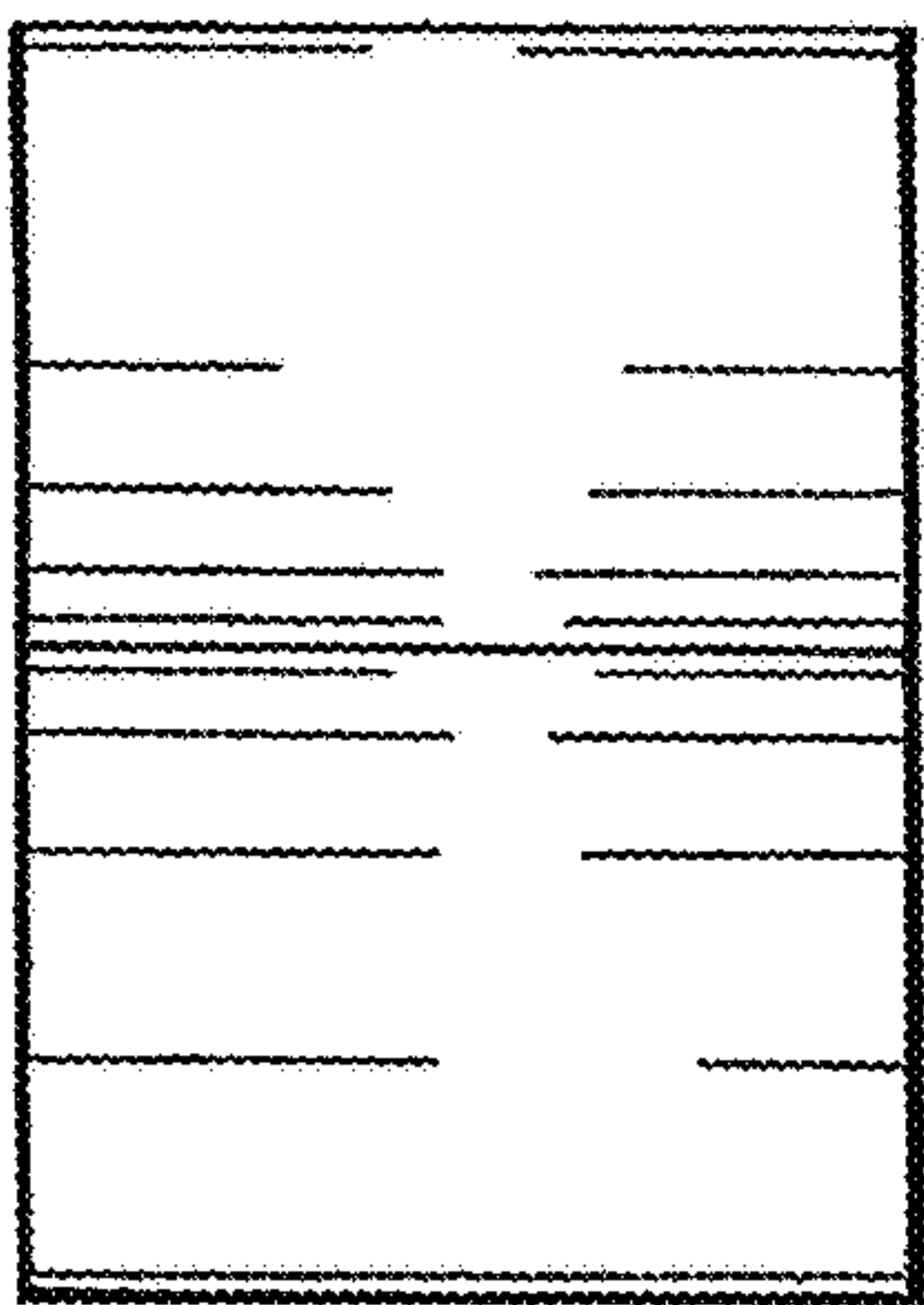


FIG. 4

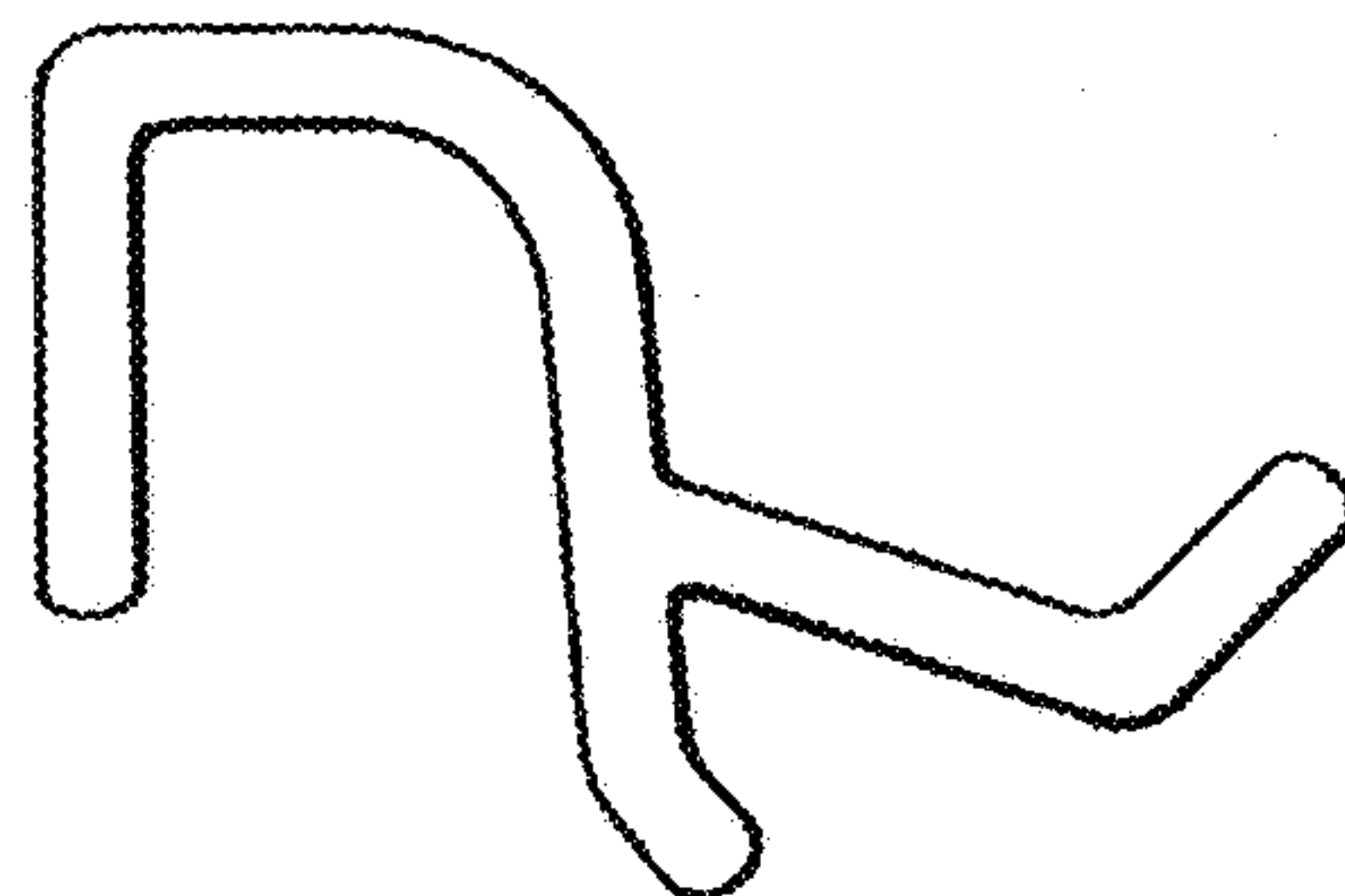


FIG. 6

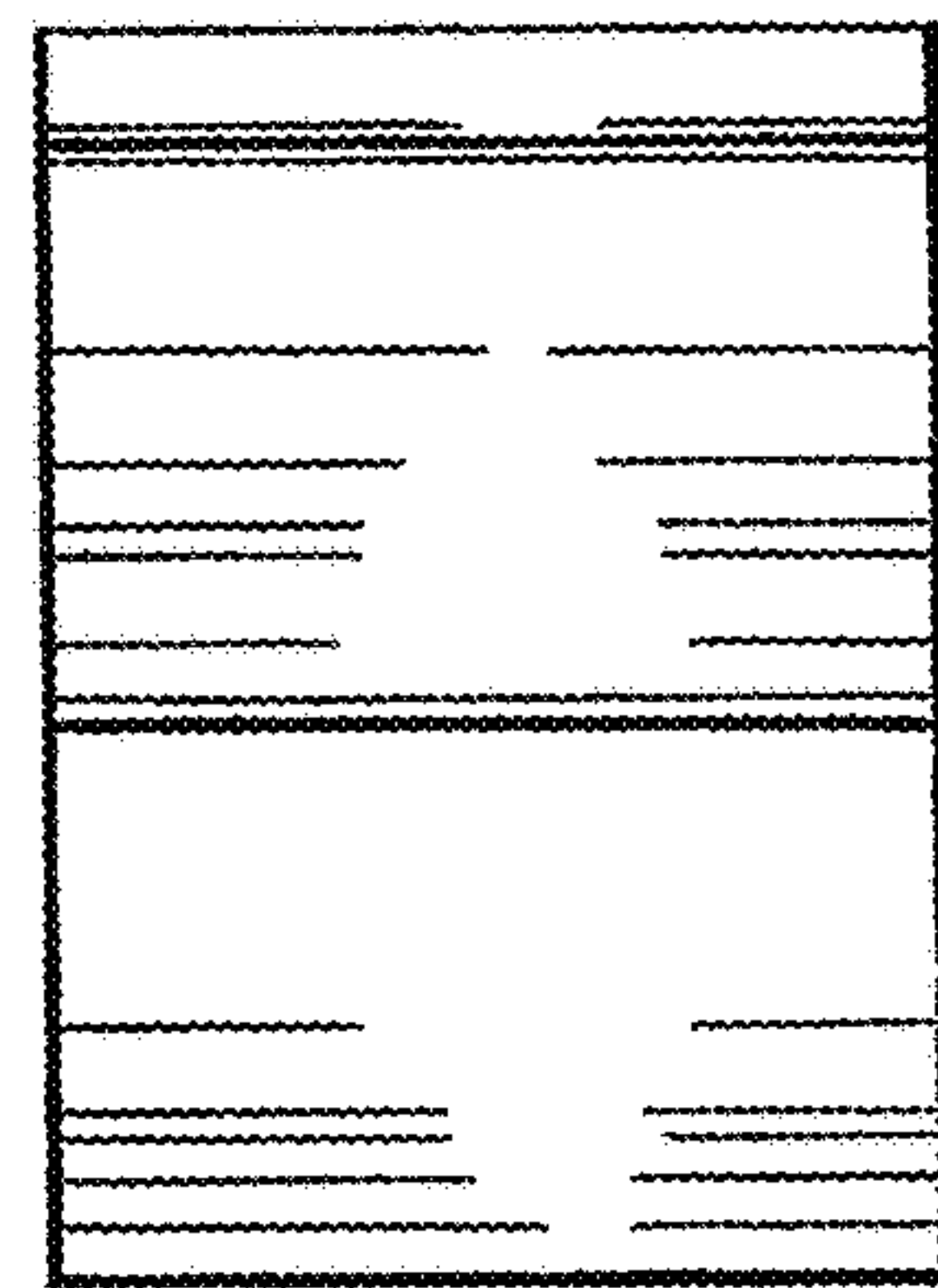


FIG. 5