



US00D877604S

(12) **United States Design Patent** (10) **Patent No.:** **US D877,604 S**
Sillitoe et al. (45) **Date of Patent:** **** Mar. 10, 2020**

(54) **BIO-CLAMP WITH TAMPER-EVIDENT COVER**

FOREIGN PATENT DOCUMENTS

(71) Applicant: **Bio Pure Technology Limited**,
Waterlooville Hampshire (GB)

CN 301238237 5/2010
CN 301243621 6/2010

(Continued)

(72) Inventors: **Chris Sillitoe**, Cornwall (GB); **Nick White**, Falmouth Cornwall (GB)

OTHER PUBLICATIONS

(73) Assignee: **Bio Pure Technology Limited**,
Waterlooville Hampshire (GB)

Taiwanese Notice of Allowance for Design Application S.N. 106305496 dated Apr. 11, 2016.

(Continued)

(**) Term: **15 Years**

Primary Examiner — Steven J Czyz

(21) Appl. No.: **29/617,902**

(74) *Attorney, Agent, or Firm* — Honigman LLP

(22) Filed: **Sep. 16, 2017**

(57) **CLAIM**

(30) **Foreign Application Priority Data**

The ornamental design for a bio-clamp with tamper-evident cover, as shown and described.

Mar. 16, 2017 (EM) 003803584

(51) **LOC (12) Cl.** **08-08**

(52) **U.S. Cl.**

USPC **D8/394**

(58) **Field of Classification Search**

USPC D8/349, 382, 394, 395, 396

CPC . F16L 17/00; F16L 17/04; F16L 21/06; F16L 21/08; F16L 23/00; F16L 23/08; F16L 23/036; F16L 3/13; F16L 33/04; F16L 33/06; F16L 33/08

See application file for complete search history.

DESCRIPTION

FIG. 1 is a front/left side, perspective view of a first embodiment of a bio-clamp with tamper-evident cover; FIG. 2 is a left side view thereof; FIG. 3 is a right side view thereof; FIG. 4 is a top view thereof; FIG. 5 is a bottom view thereof; FIG. 6 is a front elevational view thereof; FIG. 7 is a rear elevational view thereof; FIG. 8 is a front/left side perspective view of the second embodiment of the bio-clamp with tamper-evident cover; FIG. 9 is a left side view thereof; FIG. 10 is a right side view thereof; FIG. 11 is a top view thereof; FIG. 12 is a bottom view thereof; FIG. 13 is a front elevation view thereof; and, FIG. 14 is a rear elevation view thereof. The broken lines depict portions of the article that form no part of the claimed design.

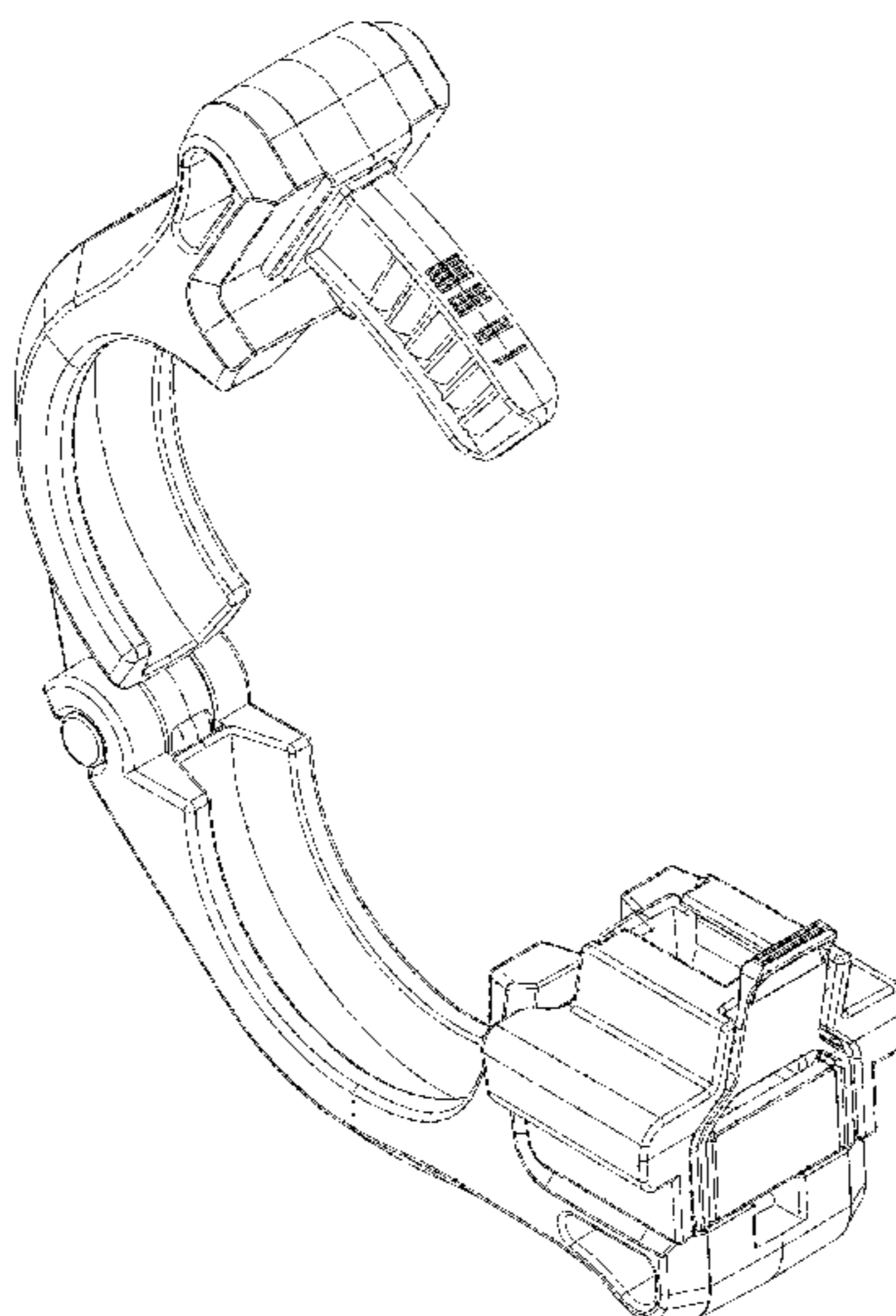
(56) **References Cited**

U.S. PATENT DOCUMENTS

4,186,947 A * 2/1980 Nixon F16L 17/04
285/112
D309,094 S * 7/1990 Donis D23/265
D318,123 S * 7/1991 Yokoyama D24/129
5,359,866 A * 11/1994 Boddy F16B 2/10
24/270
5,620,210 A * 4/1997 Eyster F16L 21/06
24/625

(Continued)

1 Claim, 14 Drawing Sheets



(56)

References Cited

U.S. PATENT DOCUMENTS

D414,405 S * 9/1999 Tompkins D8/396
 D431,650 S * 10/2000 Guala D24/129
 6,170,884 B1 * 1/2001 McLennan F16L 17/04
 285/112
 6,227,577 B1 * 5/2001 Ikeda F16L 17/04
 285/112
 6,742,223 B1 * 6/2004 Chang F16L 3/23
 24/130
 D494,847 S * 8/2004 Maniezzo D8/382
 D570,458 S * 6/2008 Gibb D23/262
 D574,228 S * 8/2008 Johansson D8/396
 D577,423 S * 9/2008 Dole D23/265
 D583,444 S * 12/2008 Nagle D23/262
 D583,916 S * 12/2008 Madara D23/265
 D584,604 S * 1/2009 Baldwin D8/396
 D587,349 S * 2/2009 Madara D23/265
 D595,814 S * 7/2009 Pierce D23/262
 D597,635 S * 8/2009 Dole D23/262
 D598,076 S * 8/2009 Dole D23/262
 D598,077 S * 8/2009 Gibb D23/265
 D600,325 S * 9/2009 Porter D23/262
 D600,326 S * 9/2009 Gibb D23/265
 D602,127 S * 10/2009 Shah D23/262
 D608,868 S * 1/2010 Porter D23/262
 D608,869 S * 1/2010 Porter D23/262
 D608,872 S * 1/2010 Porter D23/262
 D609,312 S * 2/2010 Porter D23/262
 D616,532 S * 5/2010 Madara D23/262
 D618,312 S * 6/2010 Madara D23/262
 D618,314 S * 6/2010 Bowman D23/262
 D621,917 S * 8/2010 Madara D23/262
 D625,785 S * 10/2010 Madara D23/262
 D625,786 S * 10/2010 Bowman D23/262
 D626,202 S * 10/2010 Porter D23/262
 D629,072 S * 12/2010 Madara D23/262
 D629,074 S * 12/2010 Shah D23/262
 D629,076 S * 12/2010 Madara D23/262
 D629,078 S * 12/2010 Dole D23/262
 D629,080 S * 12/2010 Dole D23/262
 D629,082 S * 12/2010 Dole D23/262
 D629,083 S * 12/2010 Dole D23/262
 D629,496 S * 12/2010 Madara D23/262
 D649,641 S * 11/2011 Guttulrud D24/143
 D674,059 S * 1/2013 Cuvo D23/262
 D674,063 S * 1/2013 Wilk, Jr. D23/262
 D674,064 S * 1/2013 Dole D23/262
 D695,100 S * 12/2013 Whitaker D8/396
 D700,835 S * 3/2014 Langlois D8/396

8,961,340 B2 * 2/2015 Boatwright A63B 59/0044
 473/568
 D735,025 S * 7/2015 Mathien D8/396
 9,074,715 B2 * 7/2015 Weger F16L 55/02
 D749,835 S * 2/2016 Whitaker D3/10
 D763,673 S * 8/2016 Moreau D8/395
 D770,886 S * 11/2016 Whitaker D8/394
 9,518,667 B2 * 12/2016 Ramos F16K 7/063
 9,580,281 B2 * 2/2017 Foley B66C 1/44
 D790,308 S * 6/2017 Larard D8/72
 D798,139 S * 9/2017 Giannatti D8/394
 D807,137 S * 1/2018 Whitaker D8/72
 D807,161 S * 1/2018 Whitaker D8/394
 D813,025 S * 3/2018 Yesavage D8/395
 D813,657 S * 3/2018 Bowman D8/395
 D820,074 S * 6/2018 Huettemann D8/394
 D820,076 S * 6/2018 Ramirez D8/396
 10,074,913 B1 * 9/2018 Bussey H01R 4/2412
 2005/0242585 A1 * 11/2005 Dole B21D 17/04
 285/367
 2008/0179469 A1 * 7/2008 Leone F16L 3/10
 248/56
 2009/0146417 A1 * 6/2009 Lippka F16L 17/025
 285/112
 2010/0102549 A1 * 4/2010 Radzik F16L 17/04
 285/112
 2010/0327576 A1 * 12/2010 Linhorst F16L 23/06
 285/38
 2012/0227221 A1 * 9/2012 Whitaker A61M 39/1011
 24/459

FOREIGN PATENT DOCUMENTS

CN 301247596 6/2010
 CN 301391186 11/2010
 CN 303223493 5/2015

OTHER PUBLICATIONS

Taiwanese Notice of Allowance for Design Application S.N. 106305495
 dated Apr. 11, 2018.
 Taiwanese Notice of Allowance for Design Application S.N. 106305494
 dated Apr. 11, 2018.
 Taiwanese Notice of Allowance for Design Application S.N. 106305499
 dated Apr. 19, 2018.
 Taiwanese Notice of Allowance for Design Application S.N. 106305503
 dated Apr. 11, 2018.

* cited by examiner

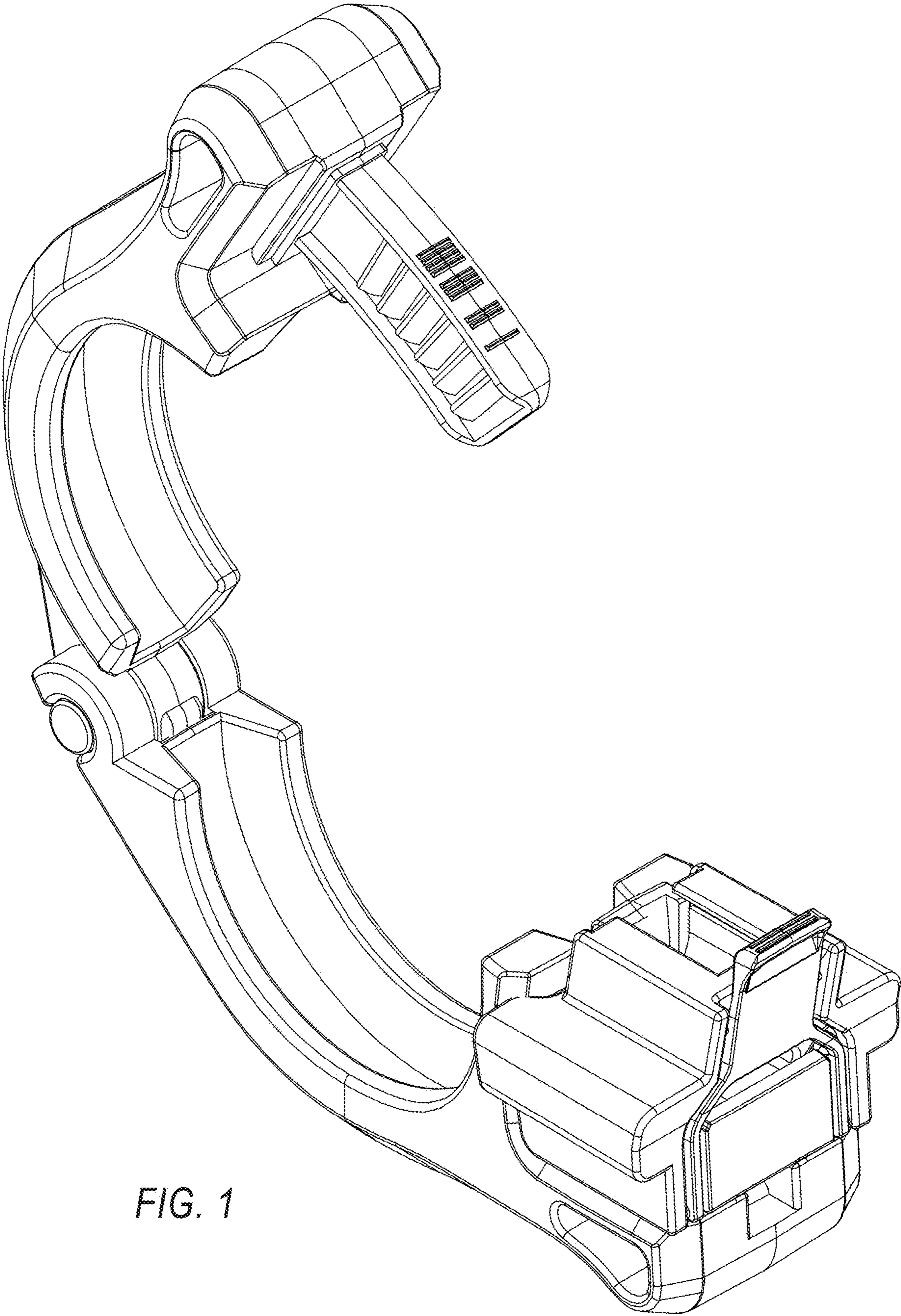


FIG. 1

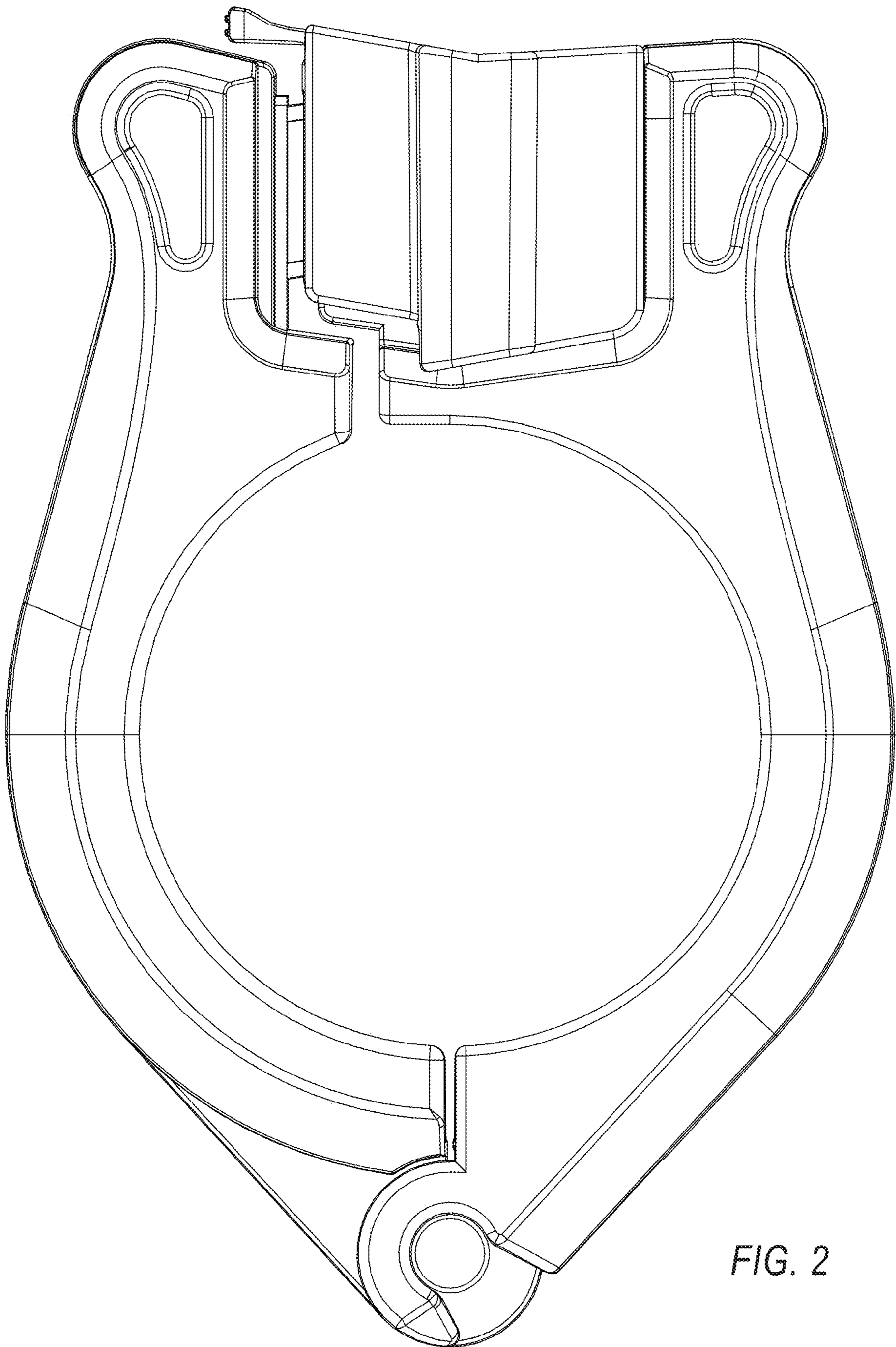


FIG. 2

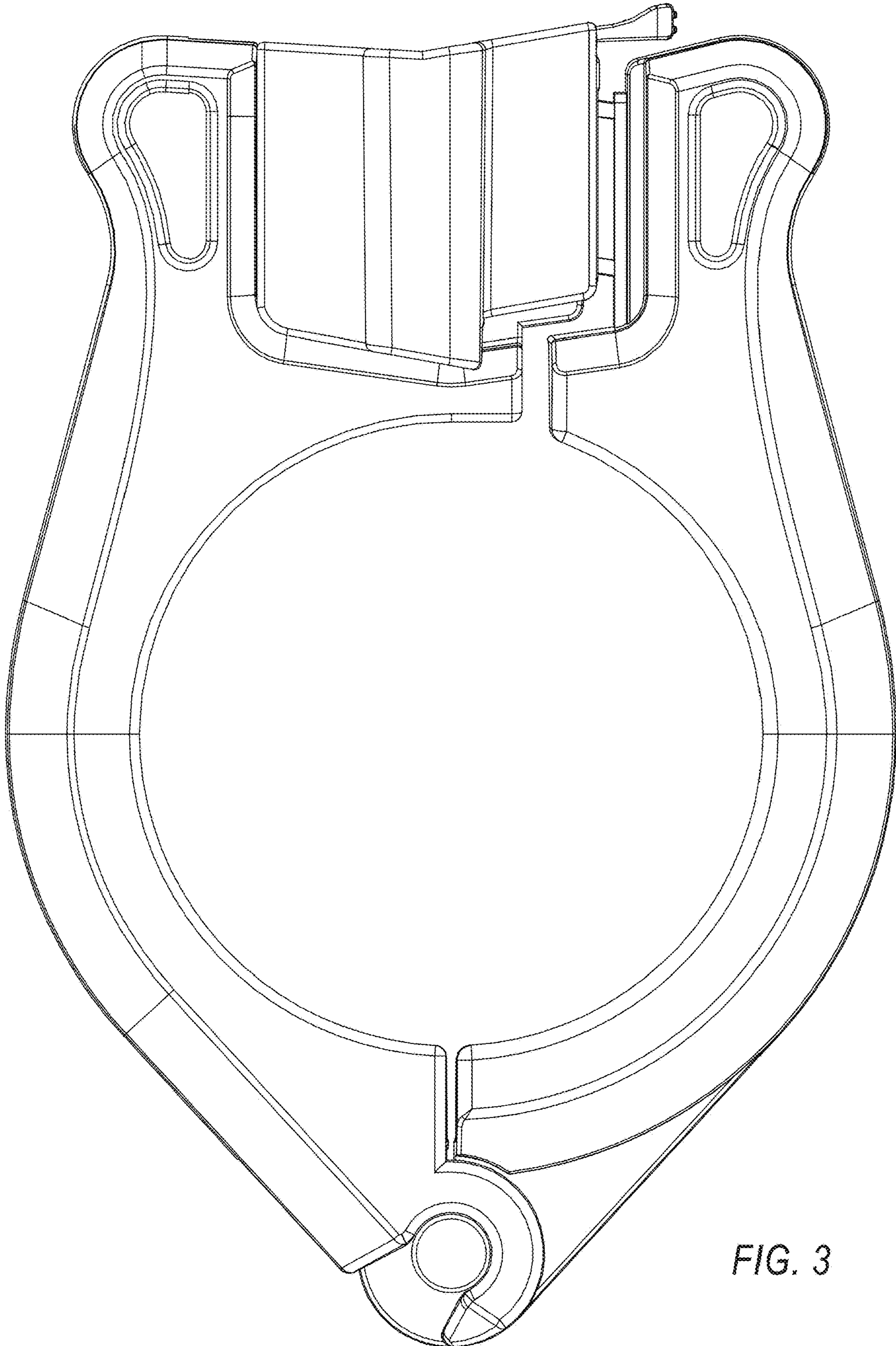


FIG. 3

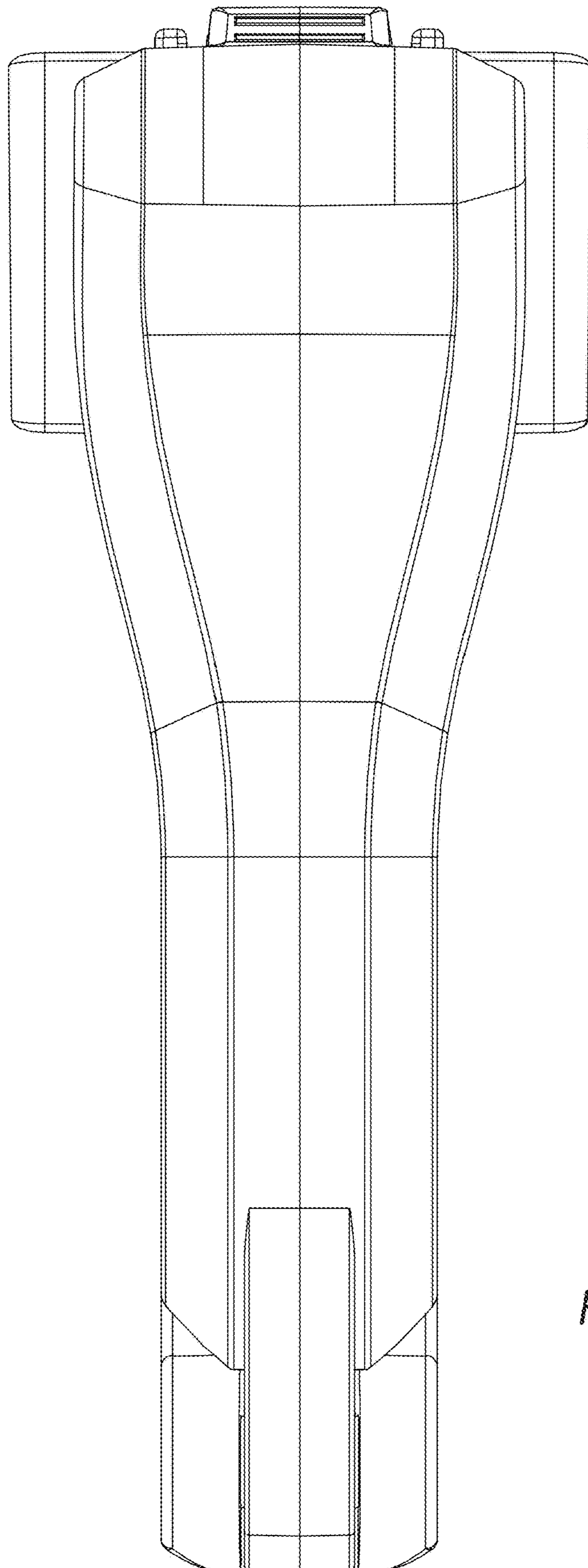


FIG. 4

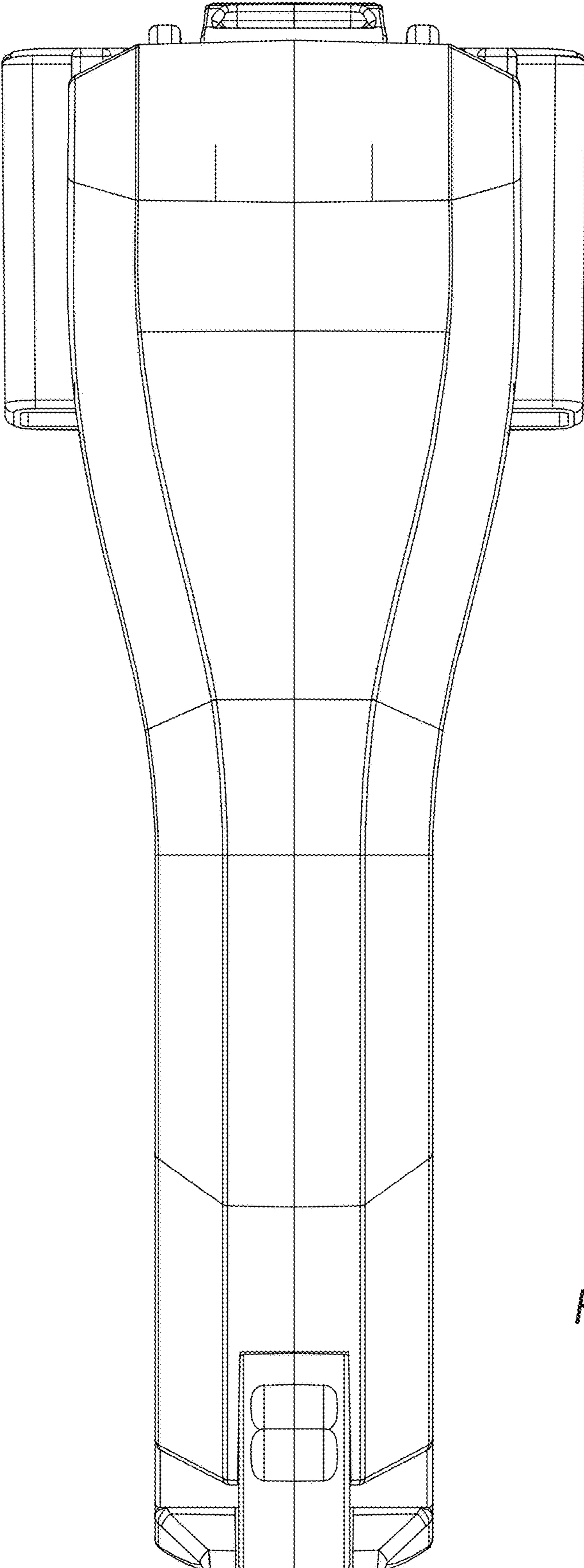


FIG. 5

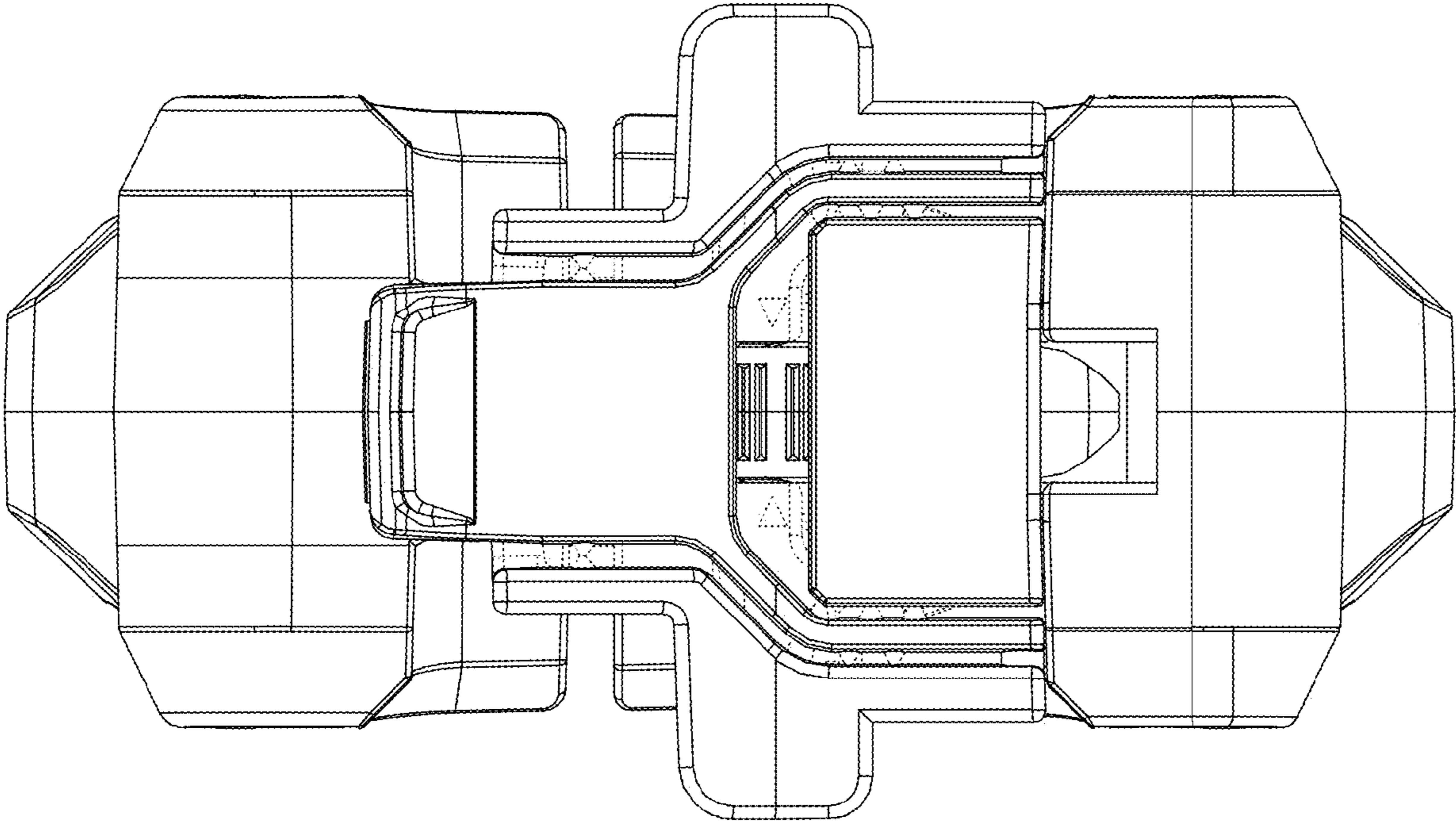


FIG. 6

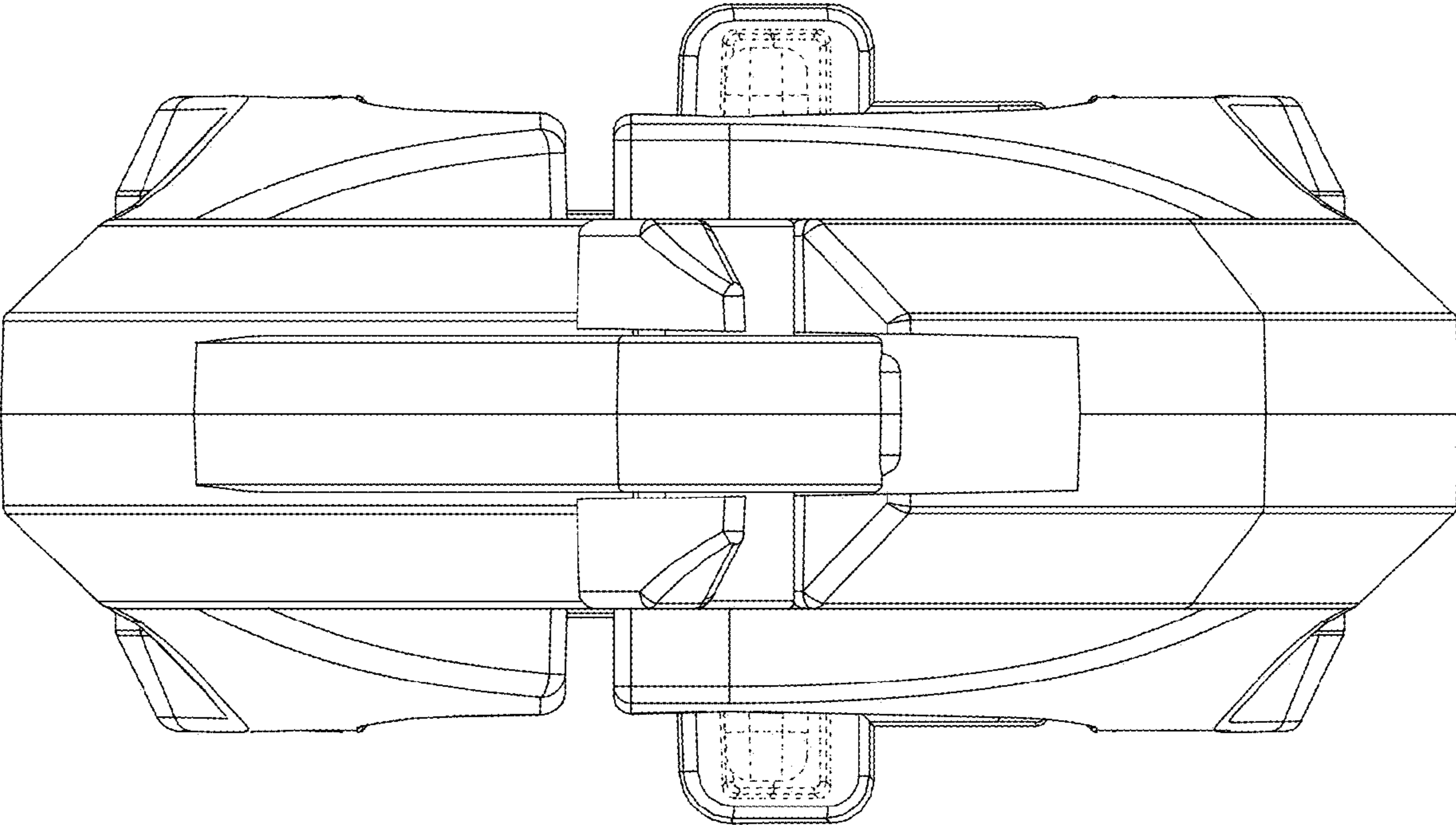


FIG. 7

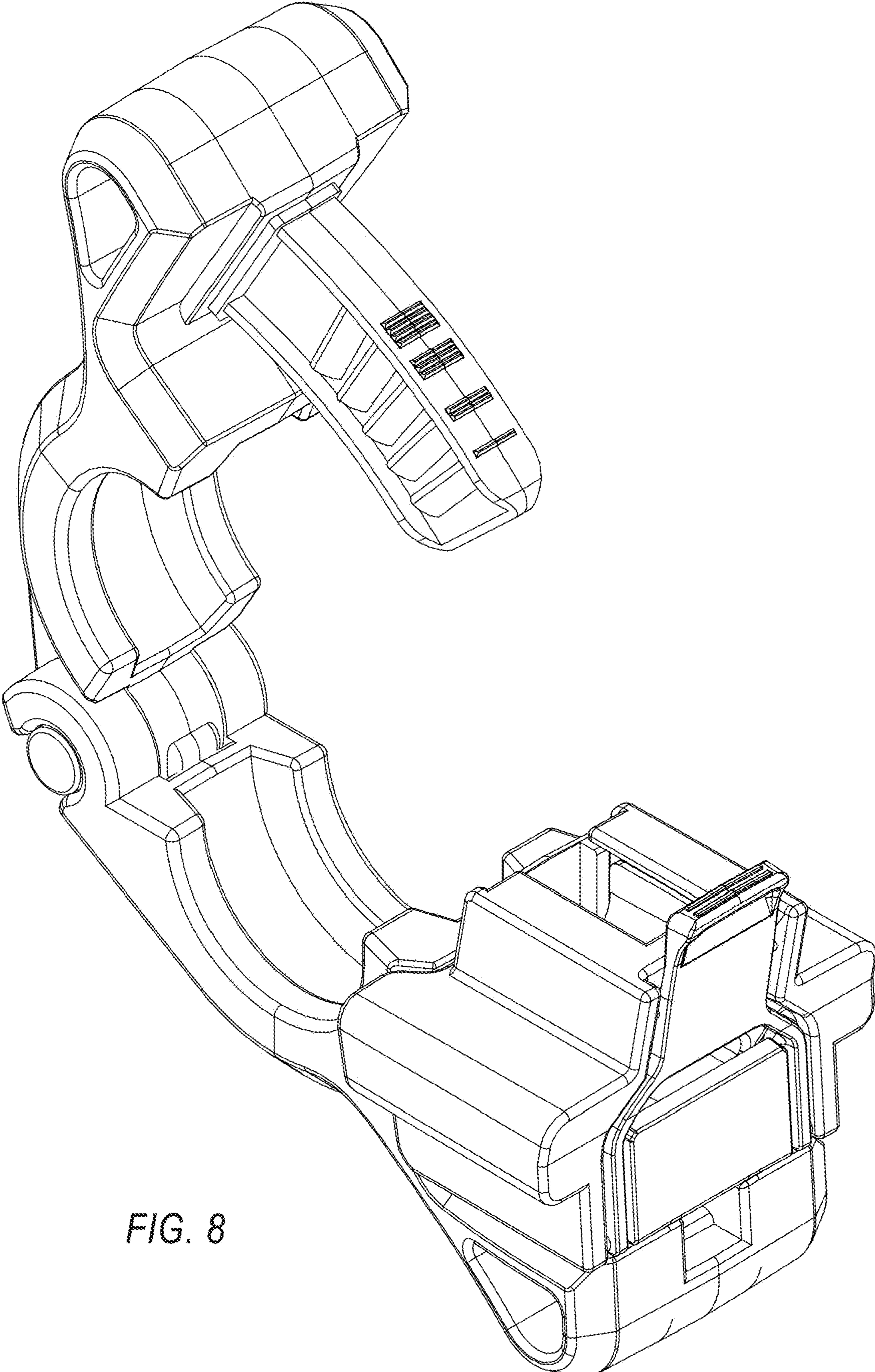


FIG. 8

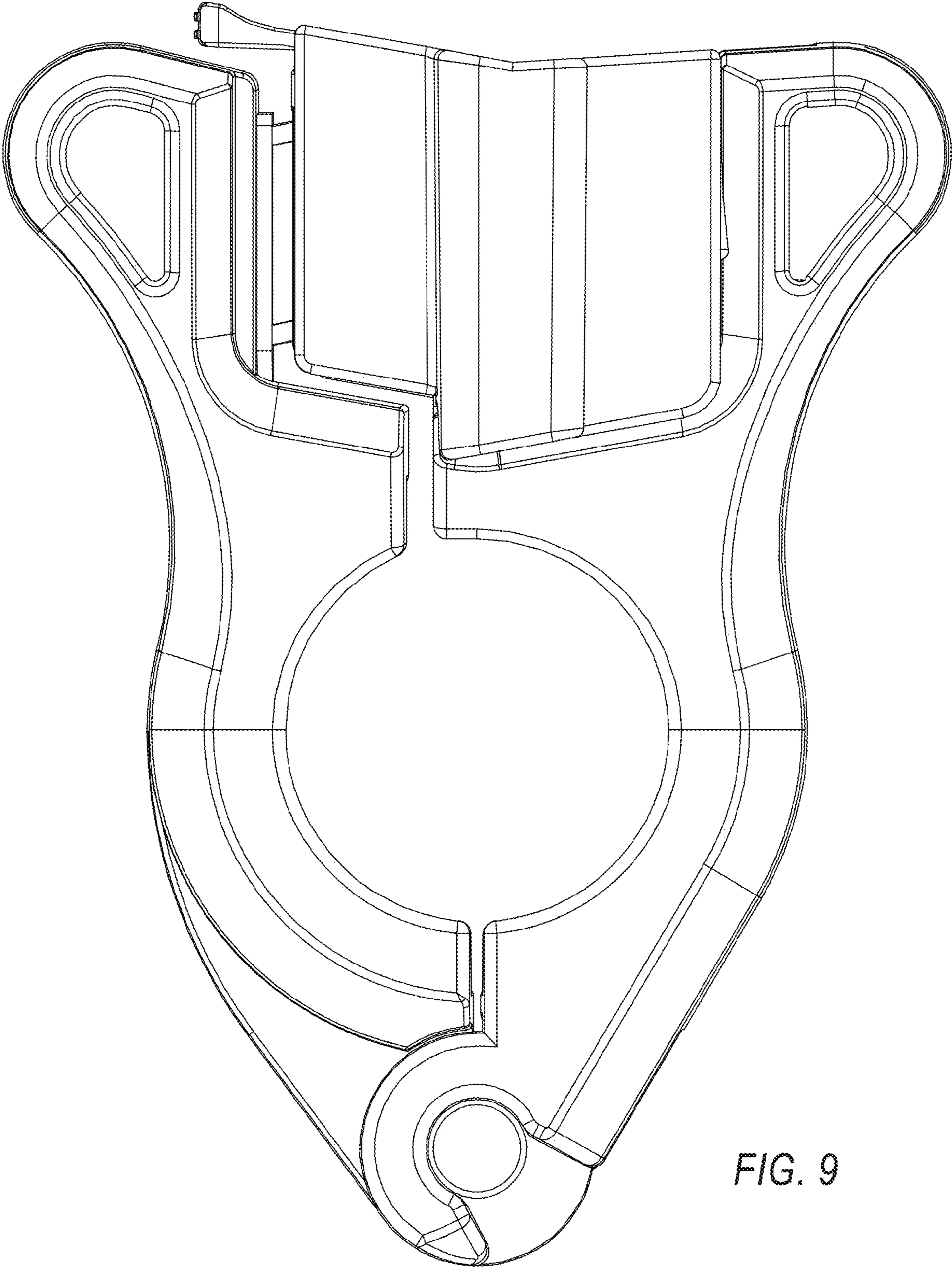


FIG. 9

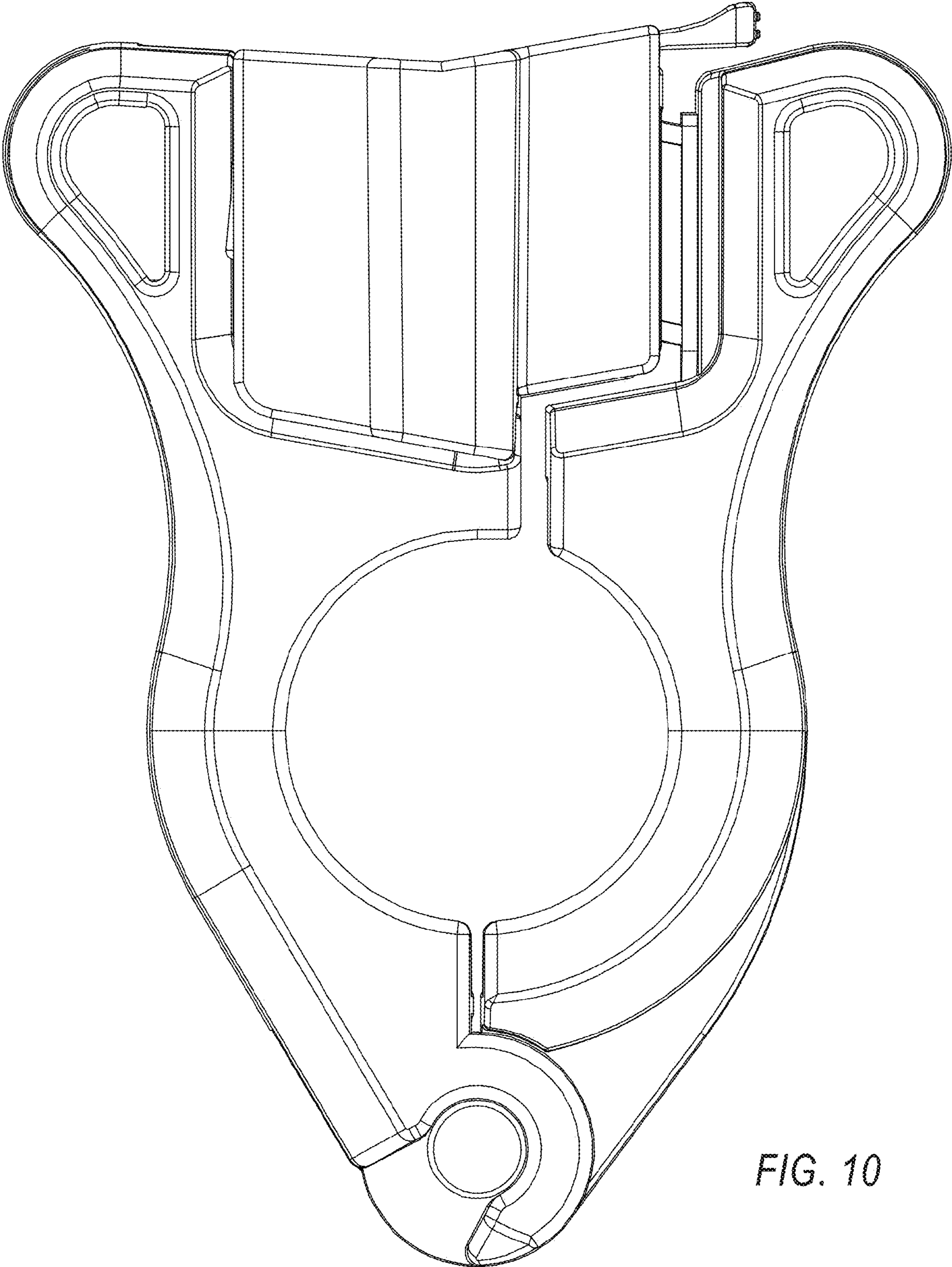


FIG. 10

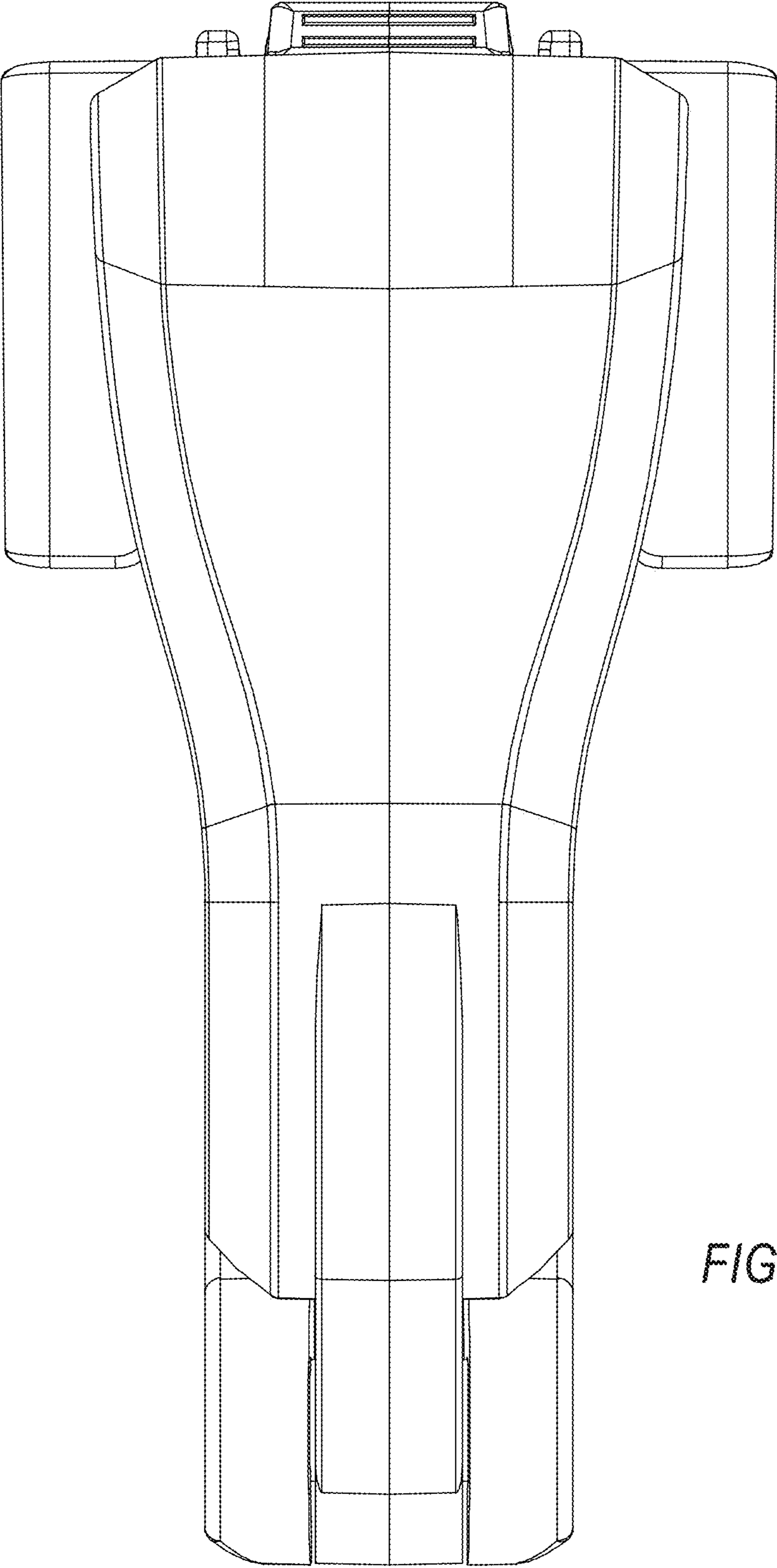


FIG. 11

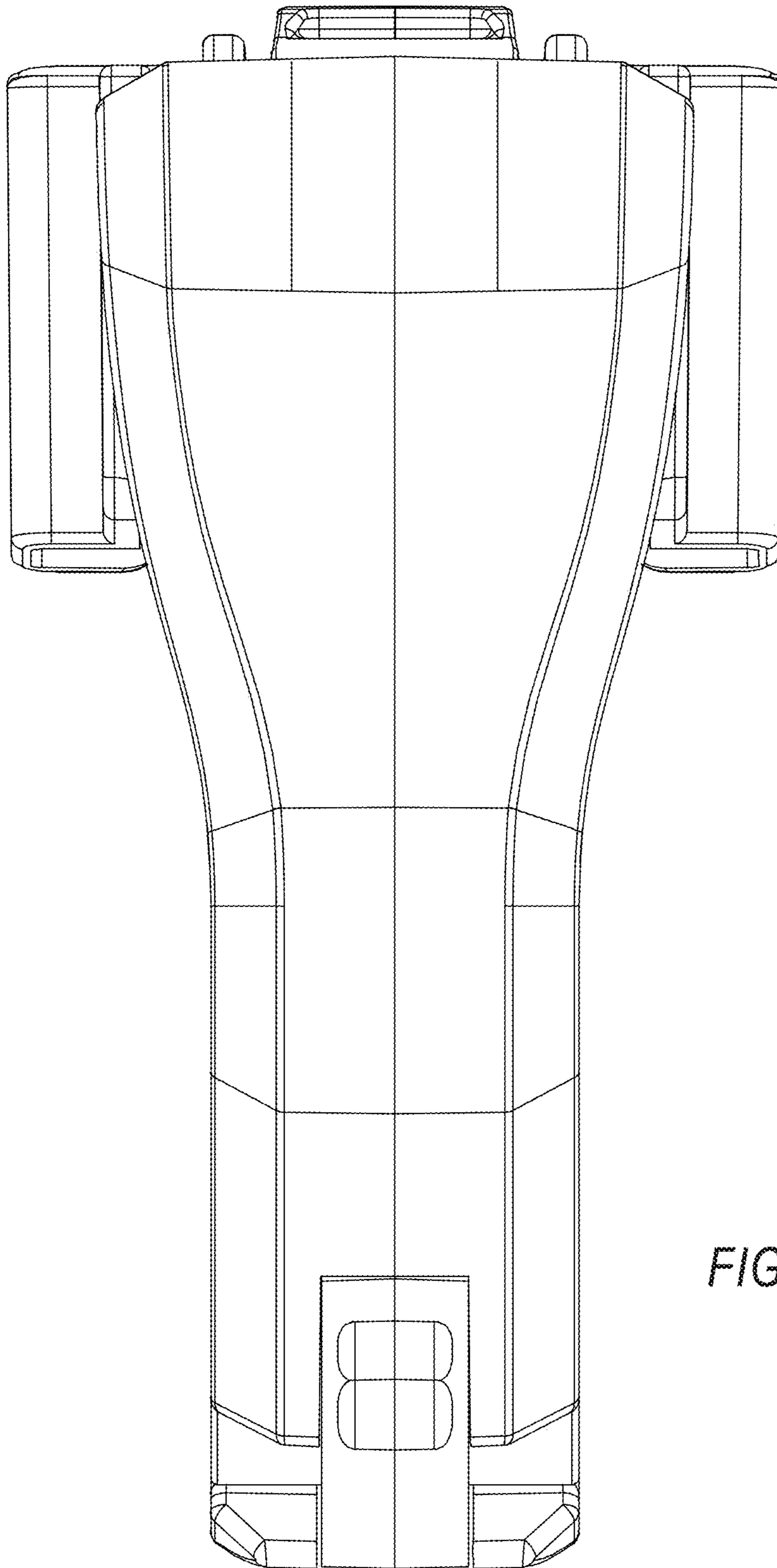


FIG. 12

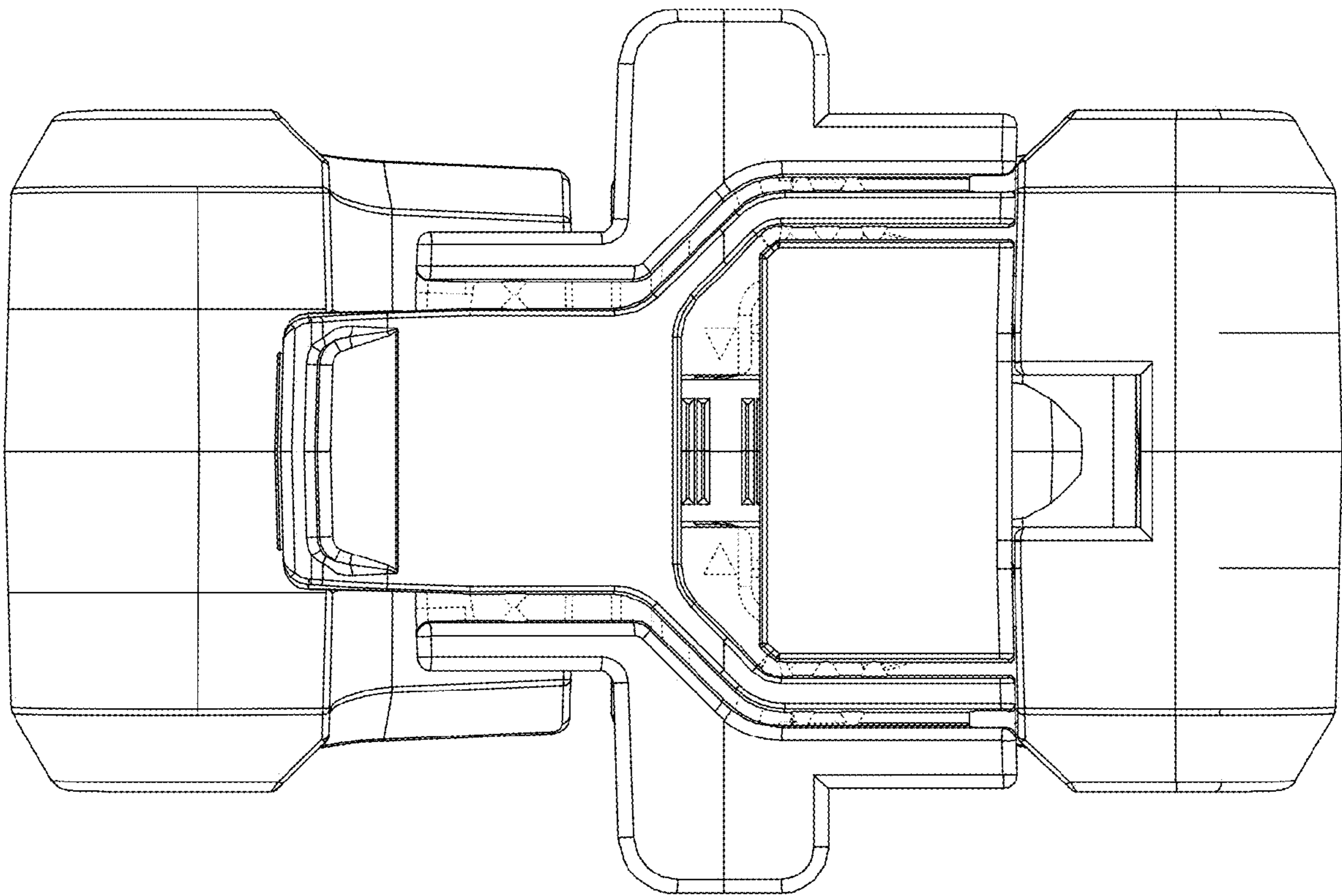


FIG. 13

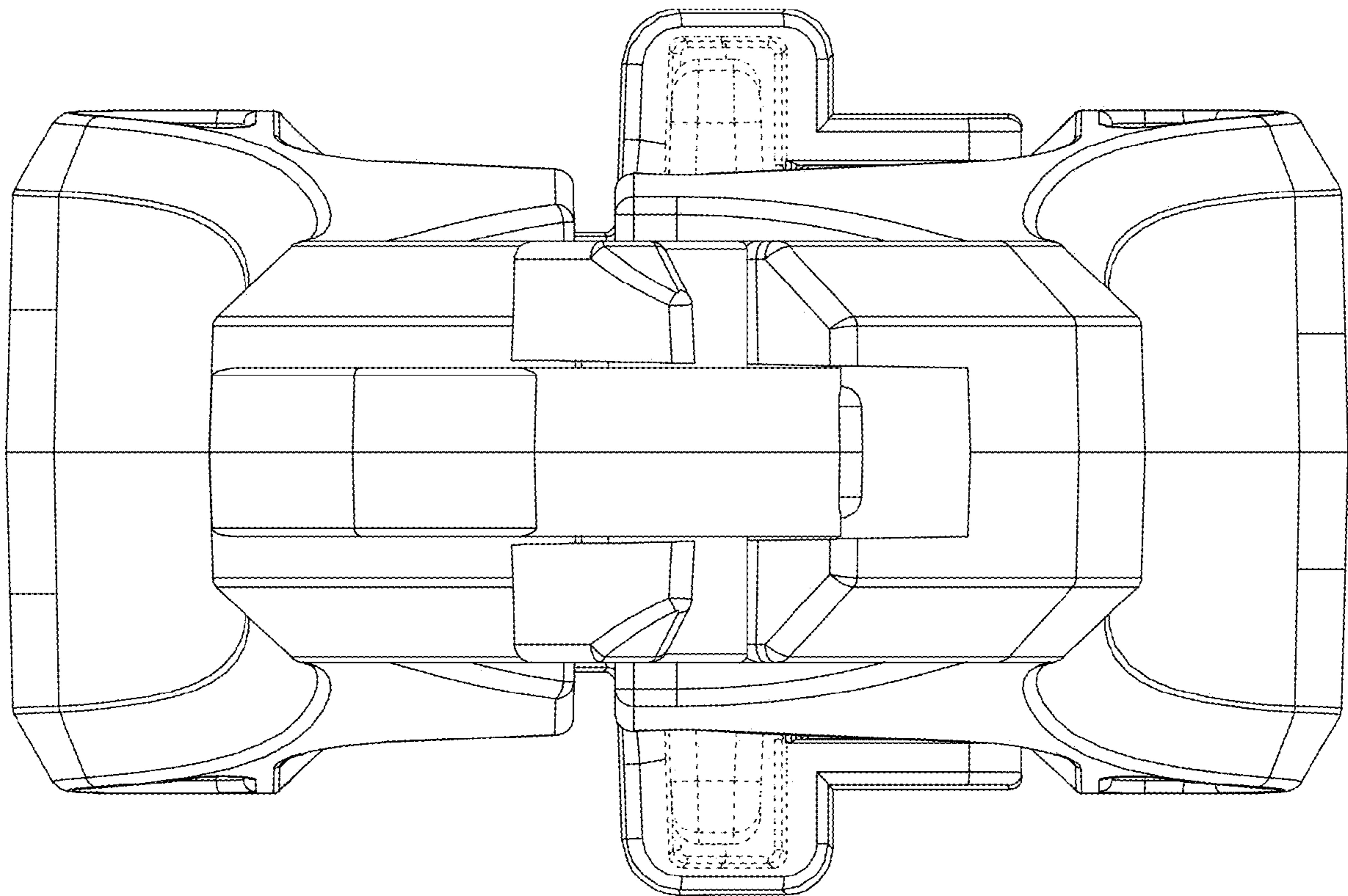


FIG. 14