



US00D877602S

(12) **United States Design Patent** (10) **Patent No.:** **US D877,602 S**  
**Nolfi et al.** (45) **Date of Patent:** **\*\* Mar. 10, 2020**

(54) **DUAL POST RETAINING MEMBER**

(71) Applicant: **ADVANCED F.M.E. PRODUCTS, INC.**, Mentor, OH (US)

(72) Inventors: **Thomas J. Nolfi**, Chardon, OH (US); **Mario M. Nolfi**, Concord Township, OH (US)

(73) Assignee: **ADVANCED F.M.E. PRODUCTS, INC.**, Mentor, OH (US)

(\*\*) Term: **15 Years**

(21) Appl. No.: **29/608,038**

(22) Filed: **Jun. 19, 2017**

(51) **LOC (12) Cl.** ..... **08-05**

(52) **U.S. Cl.**  
USPC ..... **D8/382**

(58) **Field of Classification Search**  
USPC ... D8/20, 23, 25, 41, 47, 54, 55, 58, 61, 64, D8/66, 70, 86, 98, 99, 652, 366, 376, D8/382-385, 387, 393, 397; D7/693, D7/394, 372, 376, 378, 381, 383, 384, D7/385; D15/19, 21, 29, 121, 131, 132, D15/133, 138, 139, 140  
CPC .... B25D 3/00; B25D 17/02; B25D 2250/111; B25D 2211/003; B25D 16/00; E21B 10/52; E21B 10/16; E21B 10/567; C03B 23/047; C03B 23/0496; F02C 7/00; F16L 55/1141; F16L 57/005; F05D 2230/00  
See application file for complete search history.

2,367,480 A 1/1945 Eardley  
2,634,775 A \* 4/1953 Unsinger ..... B25D 3/00  
30/167  
3,618,809 A 11/1971 Martino  
3,726,319 A 4/1973 Patterson  
4,060,100 A 11/1977 Miller et al.  
4,069,852 A 1/1978 Lofberg  
4,142,371 A 3/1979 Mayfield  
4,184,515 A 1/1980 Streich  
4,286,629 A 9/1981 Streich  
4,328,904 A 5/1982 Iverson  
4,423,754 A 1/1984 Carter, Jr.  
4,462,430 A 7/1984 Anthony et al.  
4,549,580 A 10/1985 Freeman  
4,612,961 A 9/1986 Vetter  
4,762,151 A 8/1988 Kinnan  
4,871,597 A 10/1989 Hobson  
4,964,438 A 10/1990 Welty  
4,984,322 A 1/1991 Cho et al.  
5,164,575 A 11/1992 Neeley et al.

(Continued)

*Primary Examiner* — Nathan M Johnston  
(74) *Attorney, Agent, or Firm* — Hudak, Shunk & Farine Co. LPA

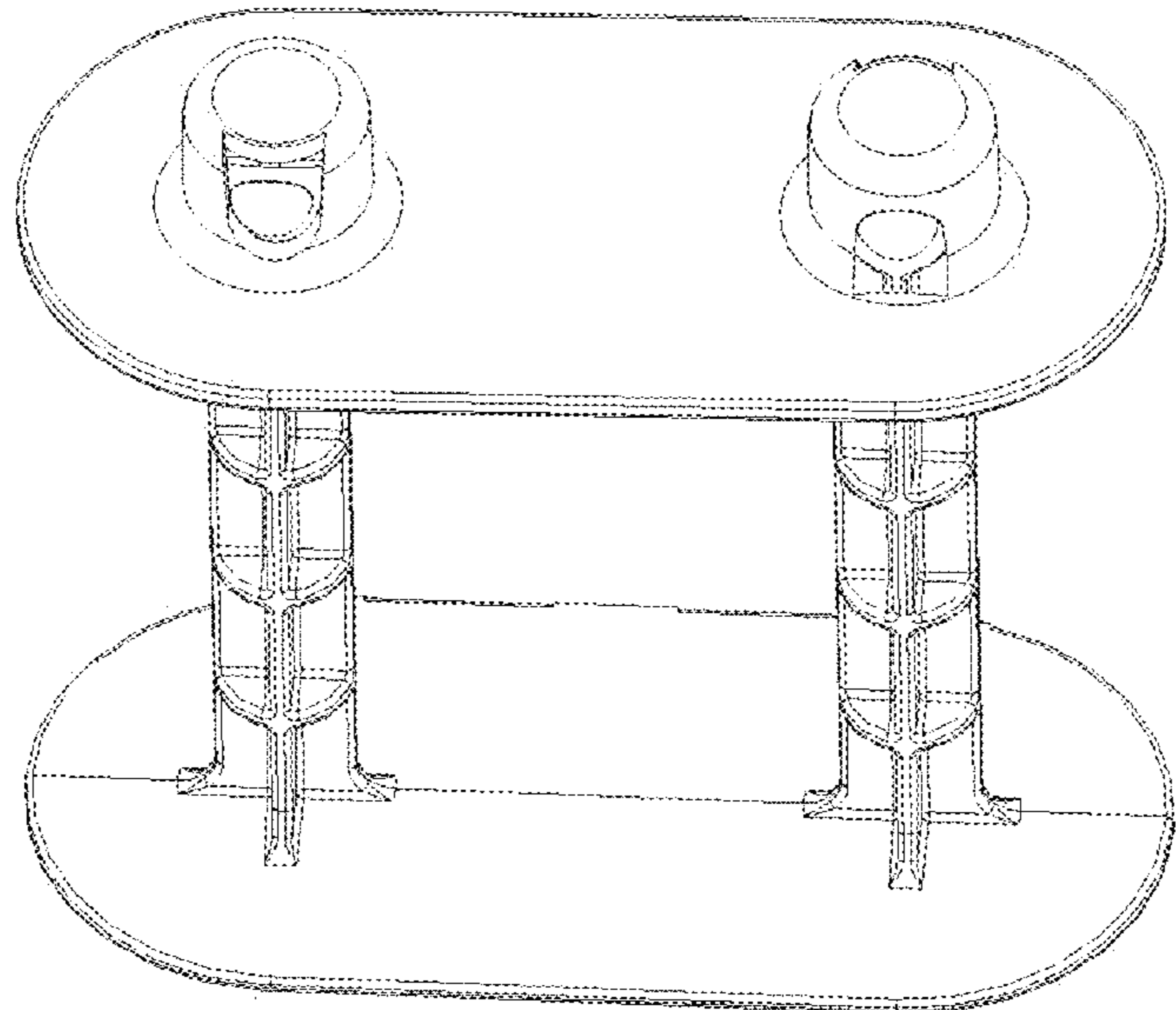
(57) **CLAIM**  
The ornamental design for a dual post retaining member, as shown and described.

**DESCRIPTION**

FIG. 1 is a front elevational view of a dual post retaining member showing our new design;  
FIG. 2 is a rear elevational view thereof;  
FIG. 3 is a right side elevational view thereof;  
FIG. 4 is a left side elevational view thereof;  
FIG. 5 is a top plan view thereof;  
FIG. 6 is a bottom plan view thereof;  
FIG. 7 is a slightly downward-looking perspective view thereof; and,  
FIG. 8 is a slightly upward-looking perspective view thereof.

**1 Claim, 8 Drawing Sheets**

(56) **References Cited**  
U.S. PATENT DOCUMENTS  
798,031 A 8/1905 Gherky  
1,493,501 A 5/1924 Rice  
2,245,887 A 6/1941 Wikander  
D139,795 S \* 12/1944 Terry ..... D15/138



(56)

References Cited

U.S. PATENT DOCUMENTS

5,197,605 A	3/1993	Hampton	6,796,449 B2	9/2004	Fragola
5,297,691 A	3/1994	Bottcher	6,824,356 B2	11/2004	Nolfi et al.
5,390,964 A	2/1995	Gray, Jr.	7,533,698 B2	5/2009	Nolfi et al.
5,558,130 A	9/1996	McCabe et al.	D612,875 S *	3/2010	Beynon ..... D15/139
5,623,971 A	4/1997	Foernzler	D640,298 S *	6/2011	Launius, Jr. .... D15/130
5,644,394 A	7/1997	Owens	D681,391 S *	5/2013	Agren ..... D7/376
5,690,469 A	11/1997	Deal et al.	D681,405 S *	5/2013	Bagley ..... D7/693
5,735,425 A	4/1998	Beadle	8,776,949 B2	7/2014	Oswalt
5,765,993 A	6/1998	Weiss	8,967,203 B2	3/2015	Nolfi et al.
5,771,937 A	6/1998	Collins	D741,653 S *	10/2015	Zhang ..... D7/376
5,904,965 A	5/1999	Noel et al.	D790,917 S *	7/2017	Benoit ..... D7/376
5,927,000 A	7/1999	Bordes, Jr.	2003/0021678 A1	1/2003	Nolfi
6,032,515 A	3/2000	Huber	2004/0028523 A1	2/2004	Nolfi
6,105,618 A	8/2000	Blaney	2005/0279010 A1	12/2005	Krog
6,170,529 B1	1/2001	Howe	2006/0001264 A1	1/2006	Brass et al.
6,173,491 B1	1/2001	Goodwater et al.	2007/0059162 A1	3/2007	Nolfi
6,227,132 B1	5/2001	Garcia	2007/0284011 A1	12/2007	Freyer
6,244,301 B1	6/2001	Scott et al.	2009/0314787 A1	12/2009	Reusche et al.
6,360,779 B1	3/2002	Wagner et al.	2011/0169630 A1	7/2011	Nolfi
6,381,797 B1	5/2002	Filippovitch et al.	2011/0315258 A1	12/2011	Tomimbang
6,419,104 B1	7/2002	Sarajian	2012/0055293 A1 *	3/2012	Urick ..... B25B 13/06
6,453,603 B1	9/2002	Baker			81/177.85
6,506,014 B1	1/2003	Nolfi et al.	2015/0336255 A1 *	11/2015	Chen ..... B25D 1/14
6,662,490 B1	12/2003	Aesch			173/132
6,726,099 B2	4/2004	Becker et al.	2017/0291289 A1 *	10/2017	Chen ..... B25D 3/00
			2018/0141190 A1 *	5/2018	Prunean ..... B25B 31/00
			2018/0363826 A1 *	12/2018	Nolfi ..... F16L 55/1141

\* cited by examiner

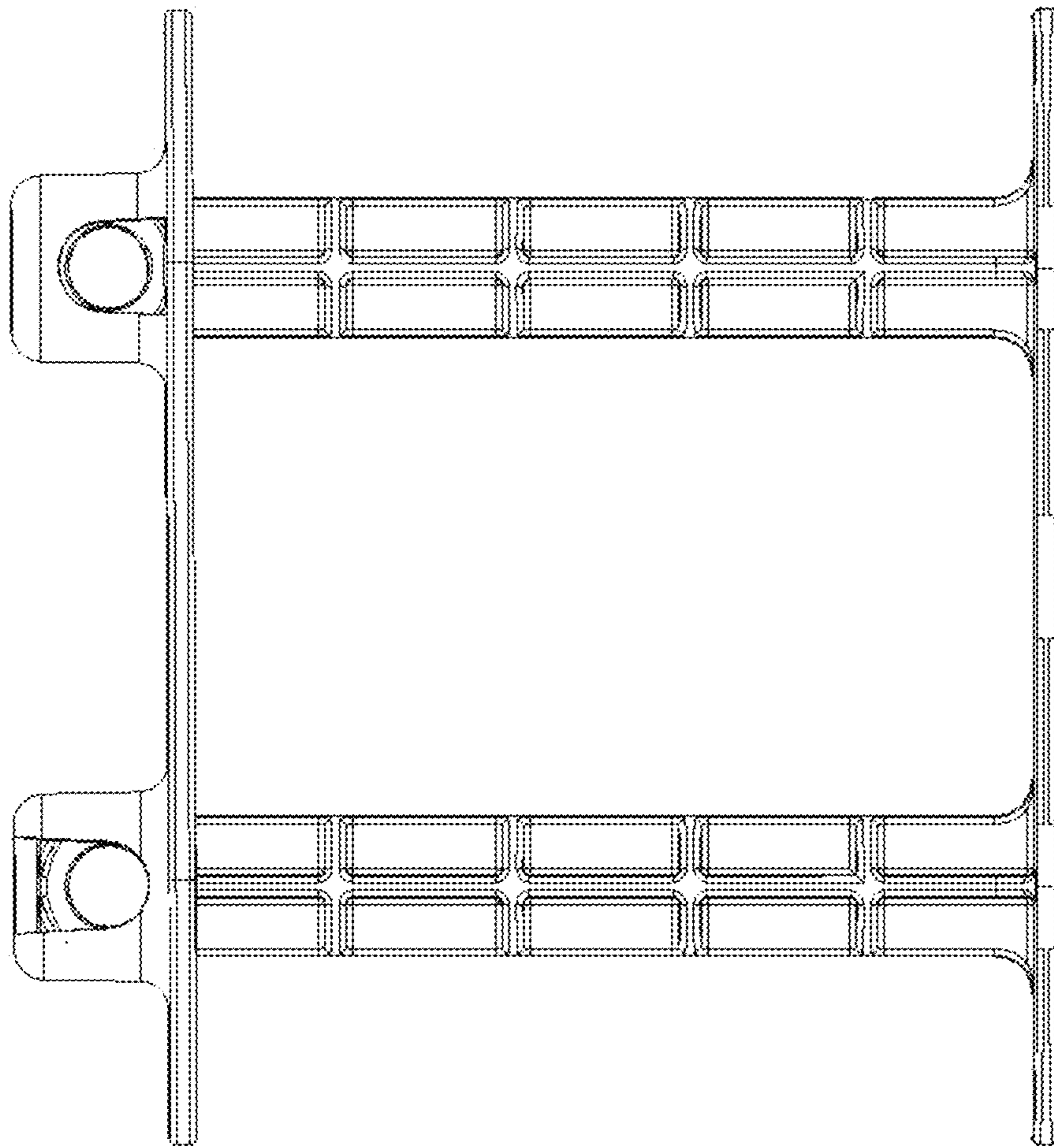


Fig. 1

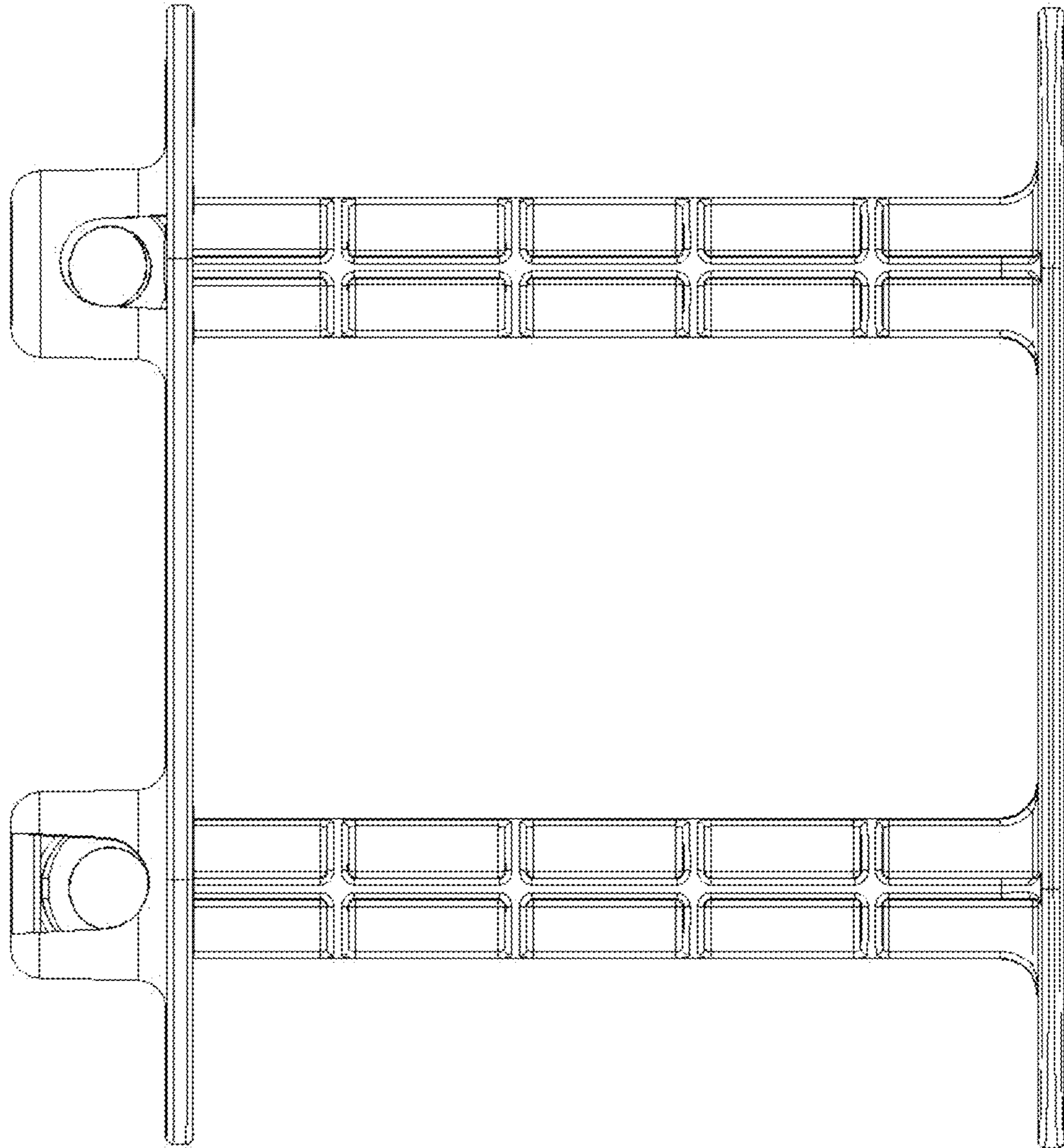


Fig. 2

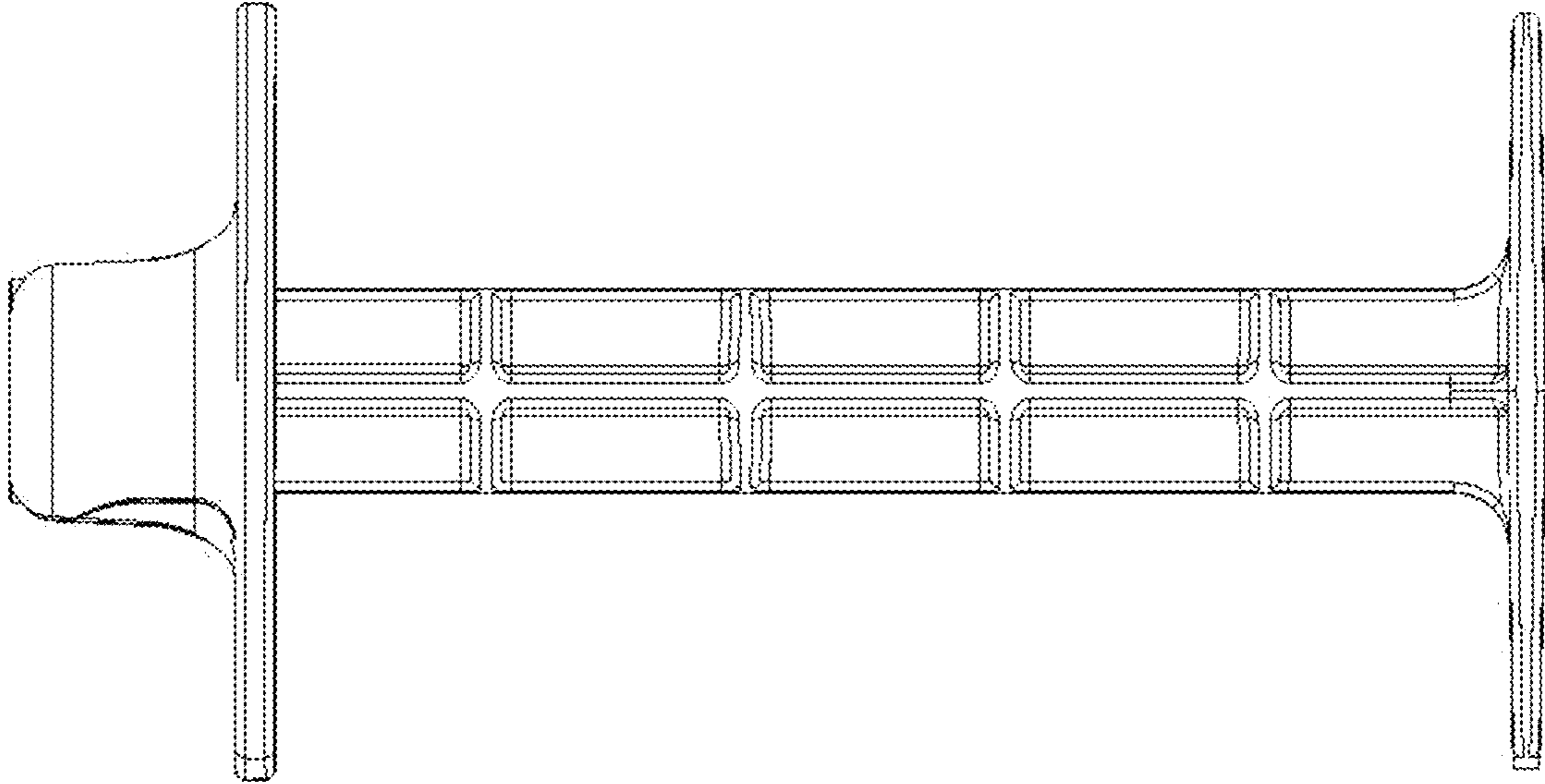


Fig. 3

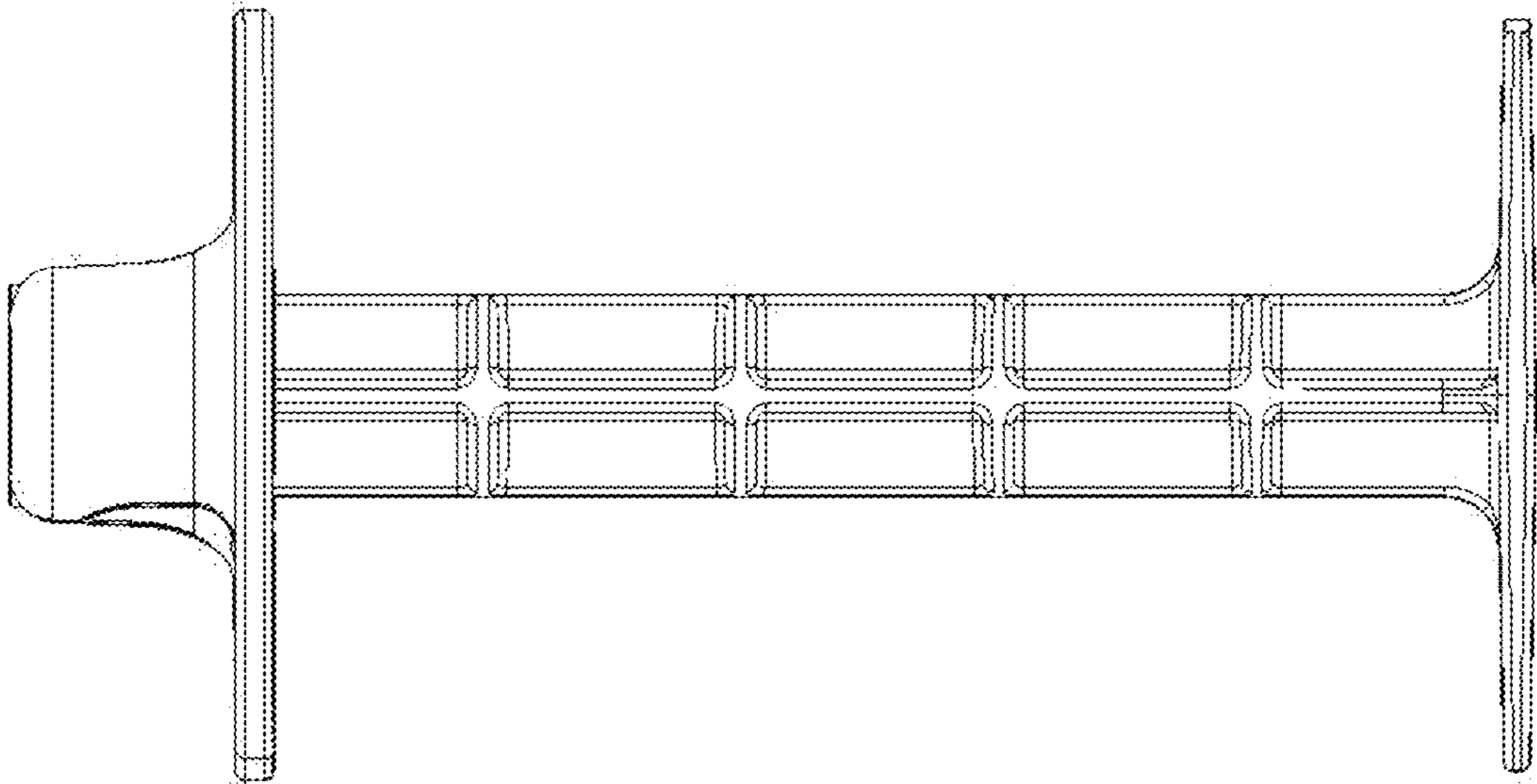


Fig. 4

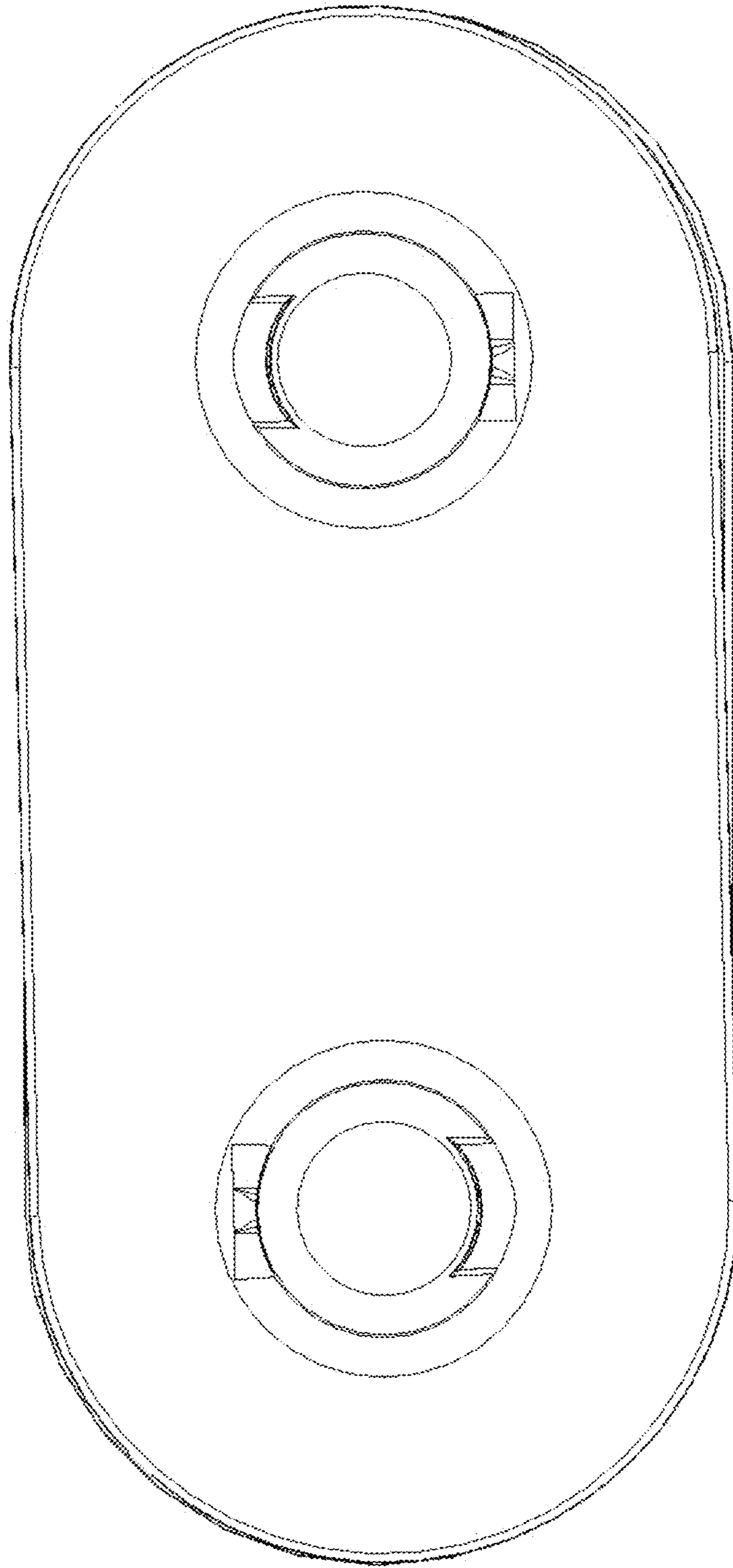


Fig. 5

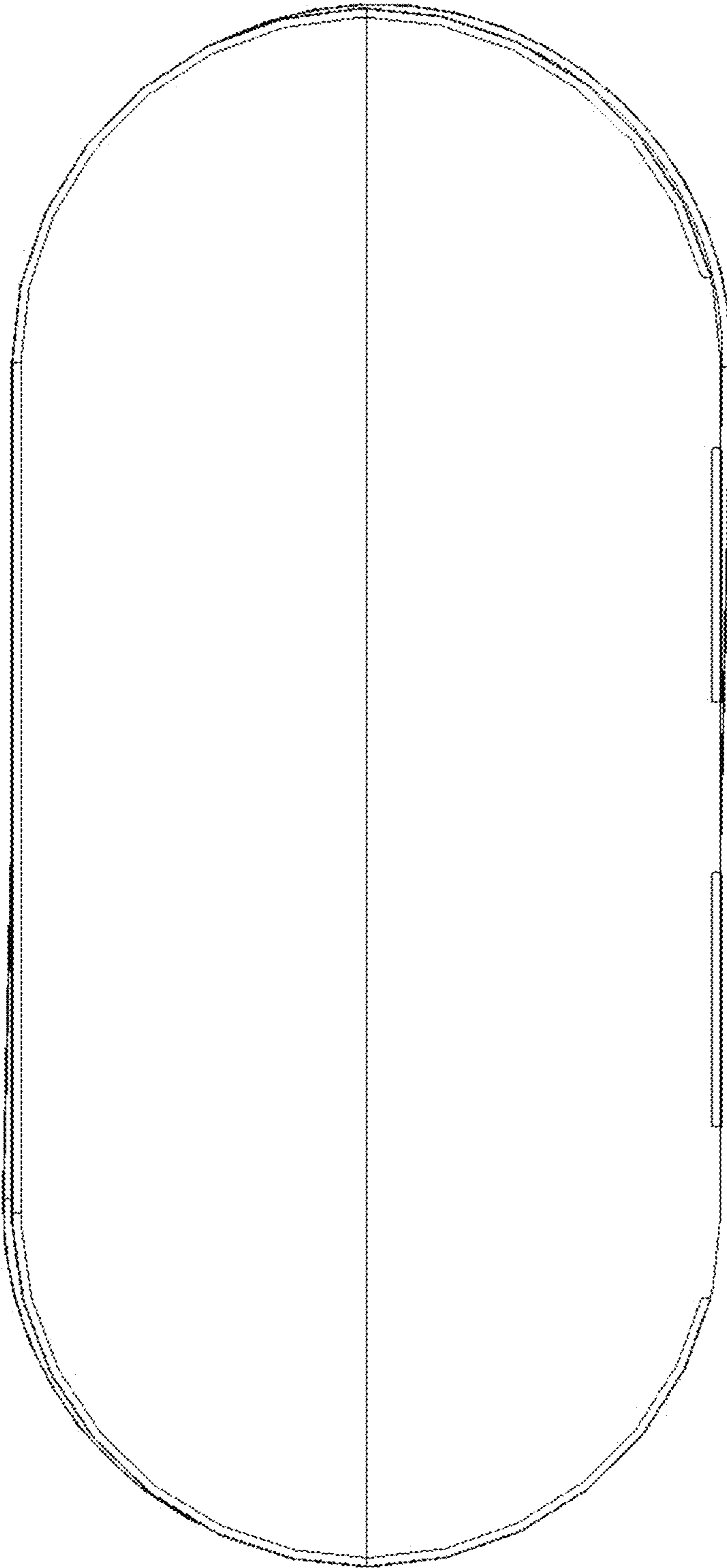


Fig. 6



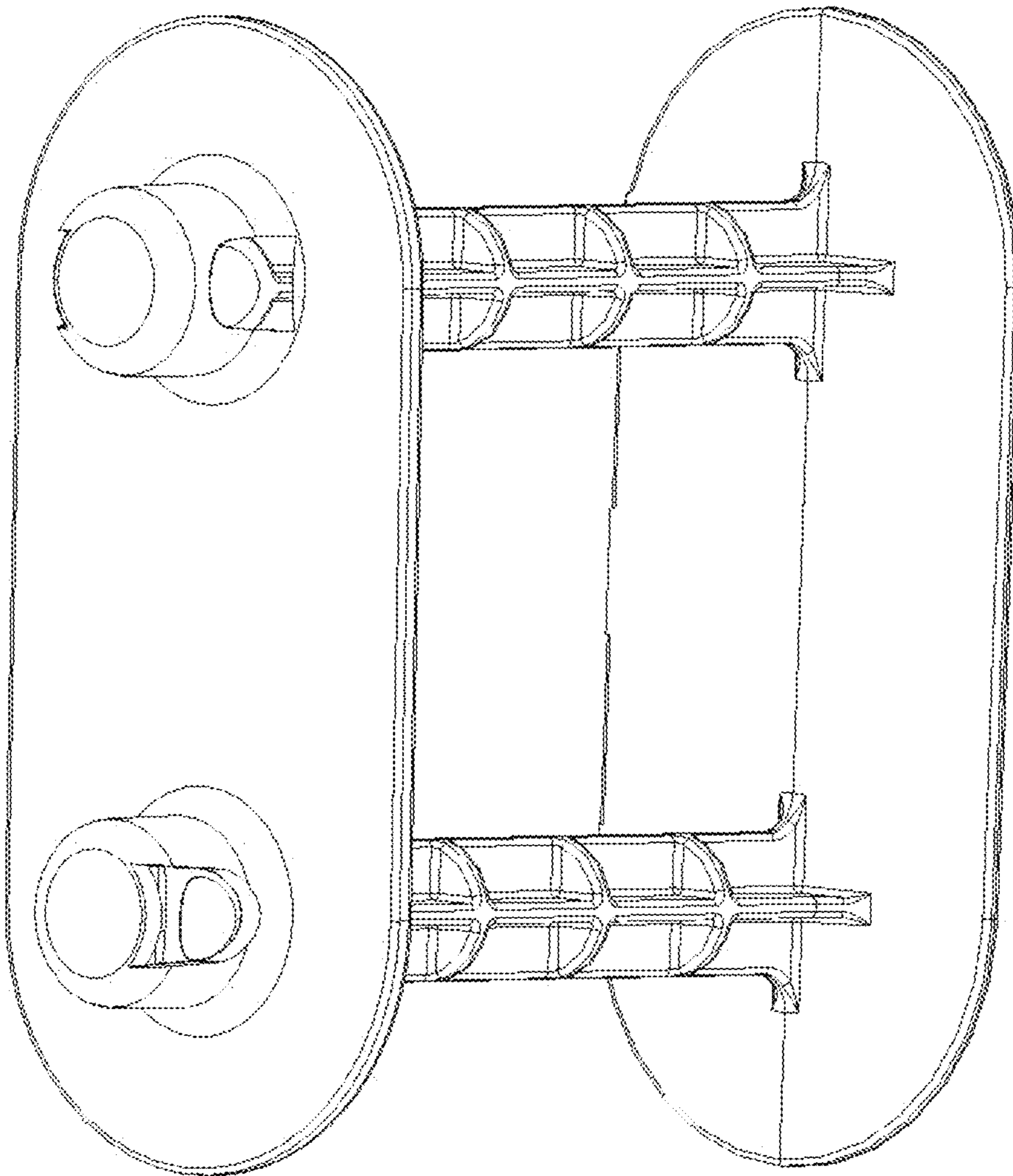


Fig. 7

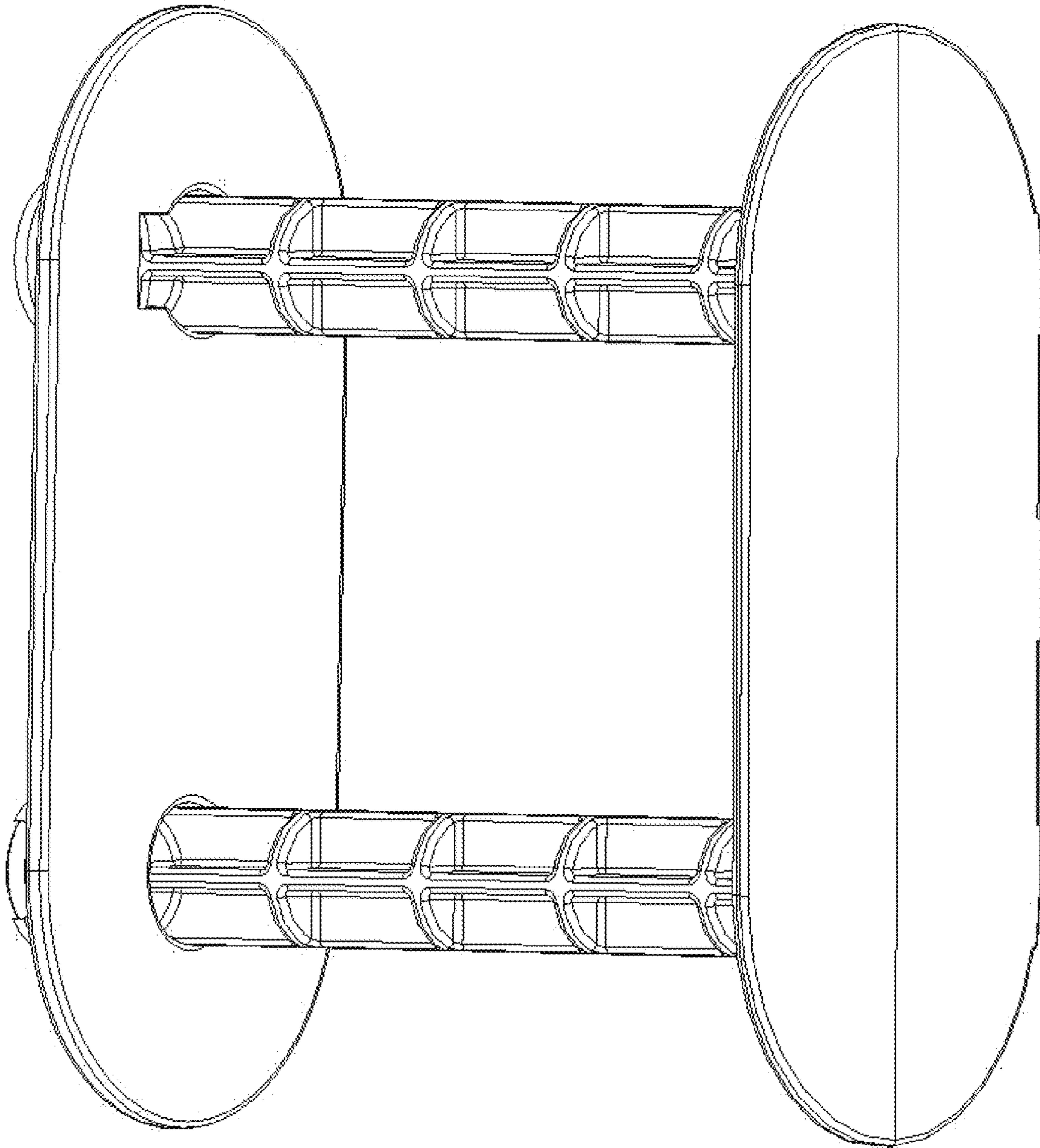


Fig. 8