



US00D877601S

(12) **United States Design Patent**
White

(10) **Patent No.:** **US D877,601 S**
(45) **Date of Patent:** **** Mar. 10, 2020**

(54) **PERPENDICULAR TO FLOOR SIGN
HOLDER WITH SIMPLE SHELF CLIP**

(71) Applicant: **K-International, Inc.**, Waukegan, IL
(US)

(72) Inventor: **Michael J. White**, Ripon, WI (US)

(73) Assignee: **K-International, Inc.**, Waukegan, IL
(US)

(**) Term: **15 Years**

(21) Appl. No.: **29/623,234**

(22) Filed: **Oct. 24, 2017**

(51) **LOC (12) Cl.** **08-05**

(52) **U.S. Cl.**
USPC **D8/380**; D20/43; D8/373

(58) **Field of Classification Search**
USPC D8/354, 381, 321, 349, 355, 366, 371,
D8/373, 380, 400; D20/10, 42-44, 99;
(Continued)

(56) **References Cited**

U.S. PATENT DOCUMENTS

D173,720 S 12/1954 Carver et al.
D243,581 S 3/1977 Goss, Jr. et al.
(Continued)

OTHER PUBLICATIONS

“Shelf Talker Sign Holders for Price Channels, for Flag Signs, Set of 100—Clear.” displays2go.com. Reviewed Nov. 30, 2018. Accessed Jul. 17, 2019. Available online at URL: <https://www.displays2go.com/P-22284/Price-Channel-Holders-For-Retail-Display-Set-of-100-units> (Year: 2018).*

(Continued)

Primary Examiner — Cathron C Brooks
Assistant Examiner — Christian P. McLean

(74) *Attorney, Agent, or Firm* — Schiff Hardin LLP

(57) **CLAIM**

The ornamental design for a perpendicular to floor sign holder with simple shelf clip, as shown and described.

DESCRIPTION

FIG. 1 is a perspective environmental view taken from the top, front, left side of the perpendicular to floor sign holder with simple shelf clip, and showing a first embodiment of the perpendicular to floor sign holder with simple shelf clip attached to an angled member and supporting a sign in an example of a use;

FIG. 2 is a perspective view thereof, taken from the top, front, left side;

FIG. 3 is a perspective view taken from the bottom, back, left side thereof;

FIG. 4 is a front elevational view thereof;

FIG. 5 is a back elevational view thereof;

FIG. 6 is an elevational view of the left side thereof, the right side elevational view thereof being a mirror image of the left side elevational view thereof;

FIG. 7 is a top plan view thereof;

FIG. 8 is a bottom plan view thereof;

FIG. 9 is a perspective view taken from the front, top, left side of the perpendicular to floor sign holder with simple shelf clip showing my new design according to a second embodiment;

FIG. 10 is a perspective view taken from the back, bottom, left side of the second embodiment;

FIG. 11 is a front elevational view according to the second embodiment;

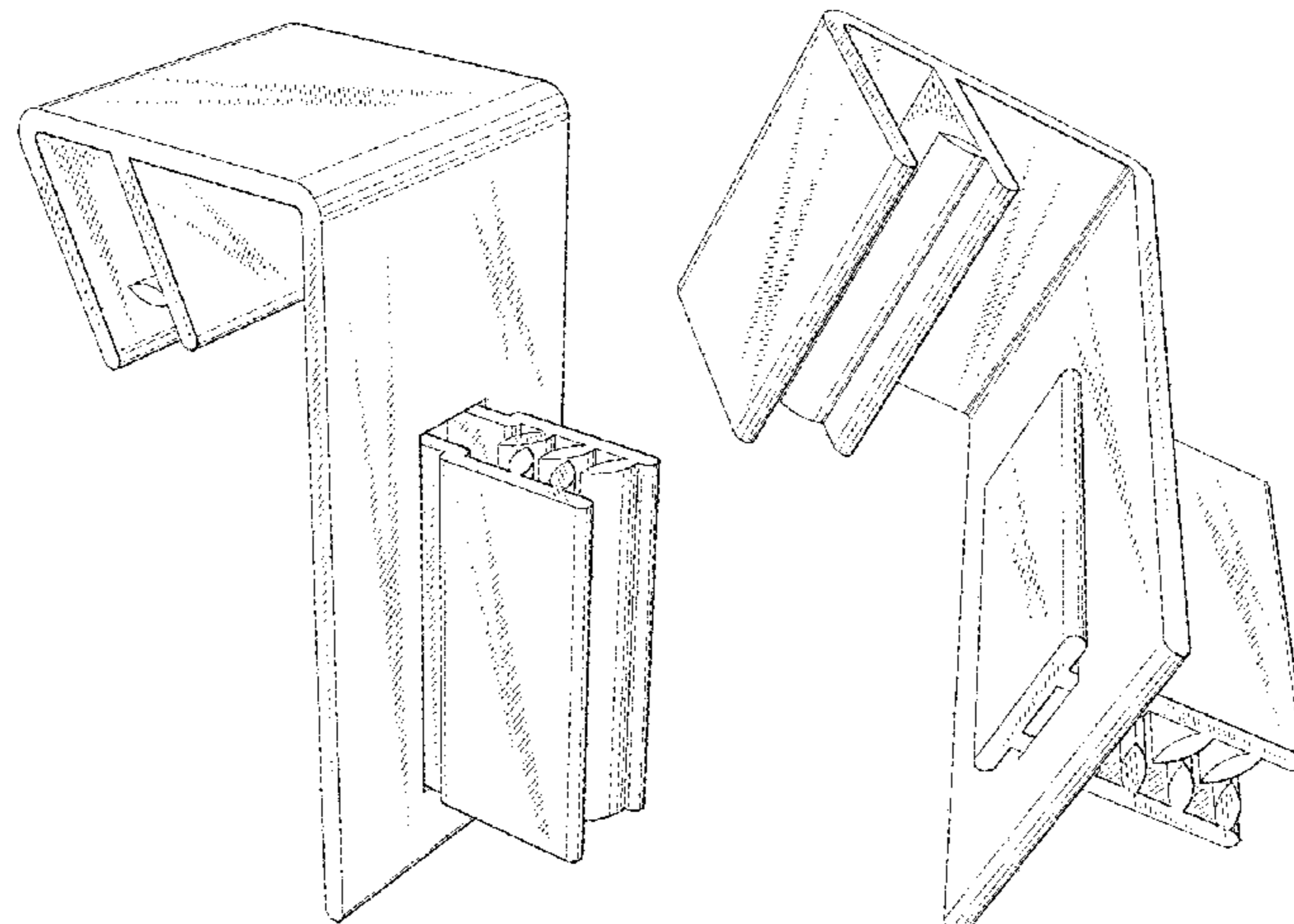
FIG. 12 is a back elevational view according to the second embodiment;

FIG. 13 is a left side elevational view according to the second embodiment, the right side elevational view according to the second embodiment being a mirror image of the left side elevational view according to the second embodiment;

FIG. 14 is a top plan view according to the second embodiment; and,

FIG. 15 is a bottom plan view according to the second embodiment.

(Continued)



The broken lines show environmental structures and form no part of the claimed design.

1 Claim, 8 Drawing Sheets

(58) Field of Classification Search

USPC D9/457; D14/374; D25/119; 40/368, 40/446, 452, 453, 488, 538, 541, 542, 40/545–548, 563, 564, 568, 570–574, 40/582, 584, 594, 596, 600, 605, 615, 40/617, 618, 624; D6/325, 328
 CPC G09F 7/16; G09F 2007/122; G09F 13/00; G09F 13/04; G09F 13/06; G09F 13/18; G09F 13/22; G09F 13/24; G09F 13/26; G09F 2013/1895; G09F 15/00; B29C 65/52; B29C 65/56; B23P 19/00; B32B 37/02; B32B 38/00

See application file for complete search history.

(56) References Cited

U.S. PATENT DOCUMENTS

D275,867 S	10/1984	Lazzara et al.	
D290,931 S	7/1987	Powell	
5,275,367 A *	1/1994	Frye	F16B 47/003 248/205.3
D366,207 S *	1/1996	Thompson	D20/43
D377,505 S *	1/1997	Thompson	D20/43
5,863,019 A	1/1999	Rose et al.	
D407,010 S *	3/1999	Sobczynski	D8/354
D419,859 S	2/2000	Marsh	
D423,592 S *	4/2000	Wamsley	D20/42
D426,584 S	6/2000	Czalkiewicz	
6,082,687 A *	7/2000	Kump	A47F 5/0068 211/57.1
D436,311 S *	1/2001	Edvardsson	D8/382
D453,534 S	2/2002	Kosir	
D453,798 S	2/2002	Gray	
D454,373 S *	3/2002	Kosir	D20/44
D454,593 S *	3/2002	Kosir	D20/44
D454,918 S	3/2002	Wamsley et al.	
D454,962 S *	3/2002	Grace	D25/119
6,467,742 B1	10/2002	Pitcher	
D471,787 S	3/2003	Gebrara	
D471,788 S	3/2003	Gebara	
D480,949 S *	10/2003	Kosir	D8/373
D483,249 S	12/2003	Klein et al.	
D483,250 S	12/2003	Klein et al.	
D487,115 S	2/2004	Kosir	
D487,290 S *	3/2004	Kosir	D20/42
D494,045 S	8/2004	Van Essen et al.	
D494,047 S	8/2004	Klein et al.	
D494,050 S	8/2004	Klein et al.	
D494,844 S	8/2004	Klein et al.	
D511,548 S	11/2005	Wamsley	
D525,371 S *	7/2006	Levi-Senigaglia	D25/119

D546,892 S *	7/2007	Bruegmann	D20/44
D556,014 S *	11/2007	Wurdack	D8/349
D569,916 S	5/2008	Garfinkle	
D616,033 S	5/2010	Kurmlavage	
D632,159 S	2/2011	Charette	
D651,256 S *	12/2011	Garfinkle	D20/43
D669,136 S	10/2012	Bruegmann	
8,308,880 B2	11/2012	White	
D689,949 S *	9/2013	Valls	D20/43
D692,955 S *	11/2013	Kopco	D20/43
D693,483 S *	11/2013	Krieger	E04F 13/0826 D25/119
D702,466 S *	4/2014	Kim	D6/702
D702,620 S *	4/2014	Read	D12/223
8,707,599 B2	4/2014	White et al.	
D704,834 S *	5/2014	Bacon	D24/128
8,793,913 B1	8/2014	Zobel et al.	
9,038,300 B2	5/2015	Theisen et al.	
9,131,787 B2	9/2015	Berglund et al.	
D742,728 S *	11/2015	Ostler	D8/373
D745,192 S *	12/2015	Suciu	D25/119
D748,730 S	2/2016	Kopco	
D748,731 S	2/2016	Kopco	
D748,732 S	2/2016	Kopco	
D750,710 S	3/2016	Watson et al.	
D768,243 S	10/2016	Garfinkle	
D769,372 S	10/2016	White	
D787,602 S	5/2017	Watson et al.	
D787,603 S	5/2017	Watson et al.	
D787,604 S	5/2017	Watson et al.	
D788,227 S	5/2017	Watson et al.	
D791,580 S *	7/2017	Chou	D8/354
D815,515 S *	4/2018	White	D8/380
D818,363 S *	5/2018	Kovacs	D9/457
D829,823 S *	10/2018	White	D20/43
D833,175 S *	11/2018	Miroshnichenko	D6/580
D851,786 S *	6/2019	Ksiezopolski	D25/119
D863,048 S *	10/2019	White	D8/381
2011/0214321 A1	9/2011	White	
2013/0233500 A1 *	9/2013	Chen	A47H 3/10 160/370
2016/0275828 A1	9/2016	White	
2017/0261018 A1 *	9/2017	Gibb	F16B 2/185
2017/0263164 A1 *	9/2017	Gibb	G09F 15/0025

OTHER PUBLICATIONS

“Shelf Talker Sign Holders for Price Channels, Front Facing, Set of 100—Clear.” storefixture.com. Date not available. Accessed Jul. 17, 2019. Available online at URL: <https://www.storefixture.com/P-22282/Shelf-Talker-Clip-For-POP-Display-Set-of-100-units> (Year: N/A).*

Flag Fast-Gripz 11 for Price Rails, Southern Imperial, posted at southernimperial.com in 2015 Product Catalog, © 2015 u Southern Imperial Inc., [online], site visited Aug. 3, 2017. Available from Internet: <<http://www.southernimperial.com/pub/2015Catpages/2015-si-catalog-web.pdf>>CVC.

U.S. Appl. No. 29/575,659, filed Aug. 26, 2016, entitled “Perpendicular to Floor Sign Holding Clip”.

* cited by examiner

FIG. 1

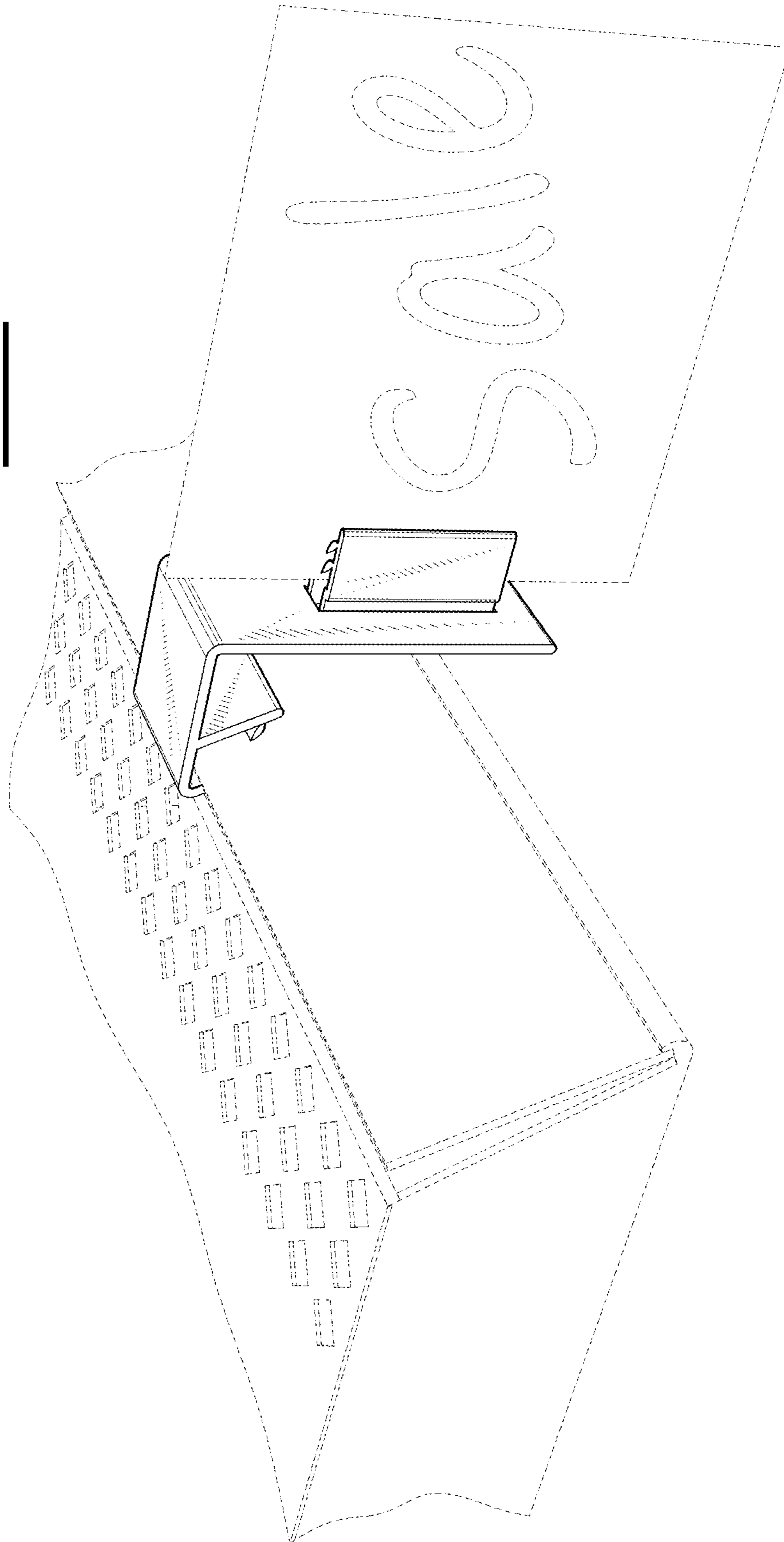


FIG. 3

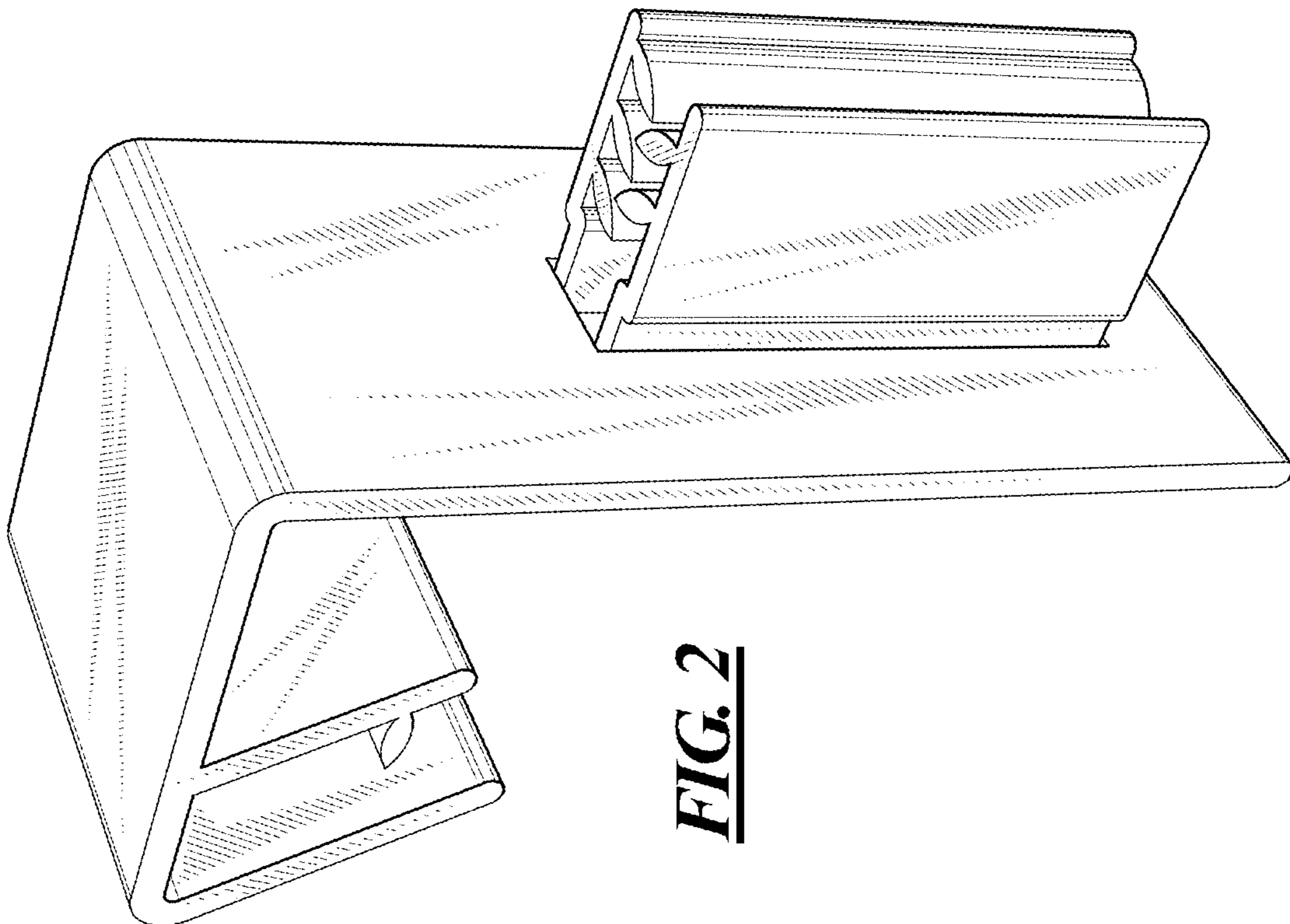
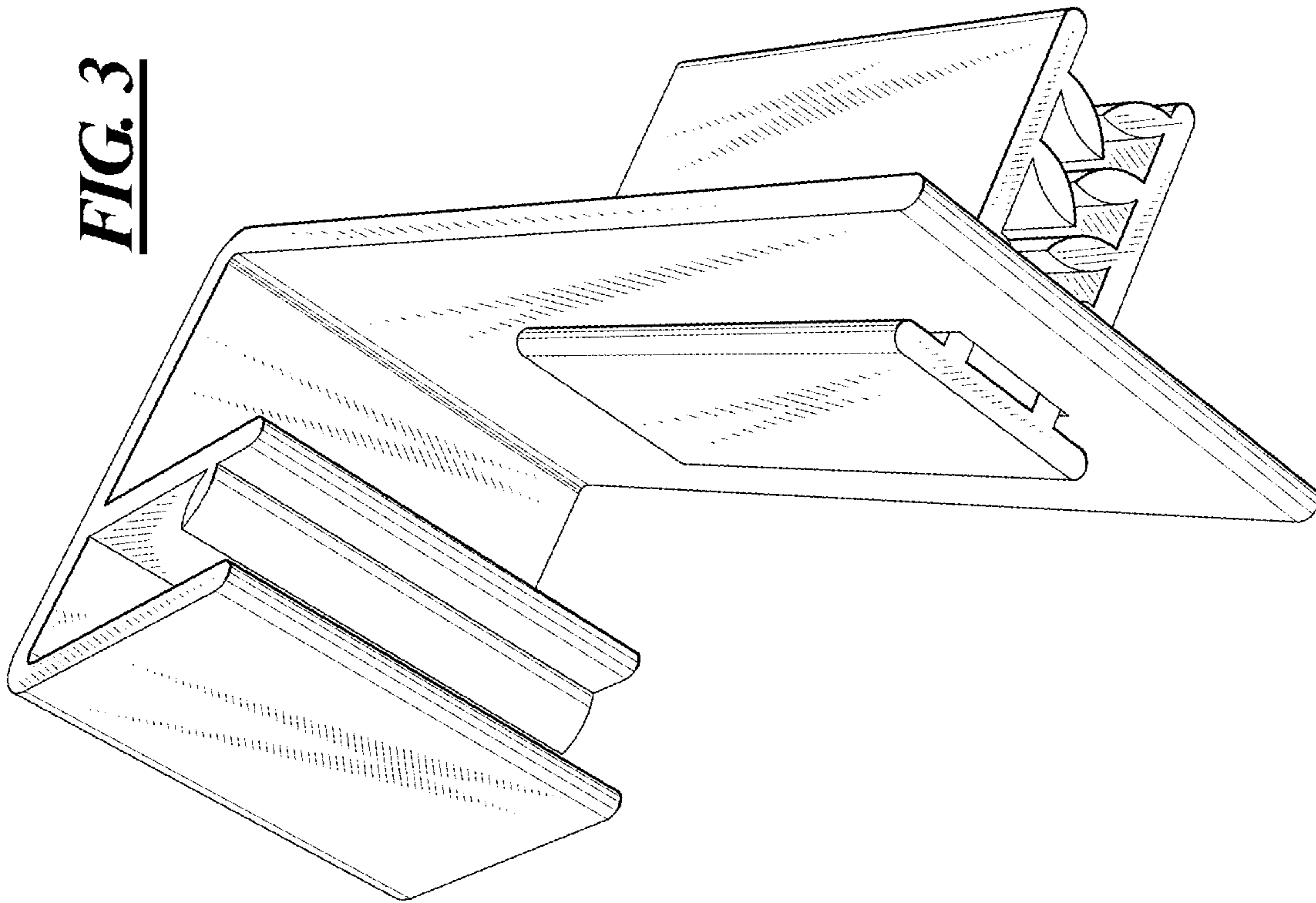


FIG. 2

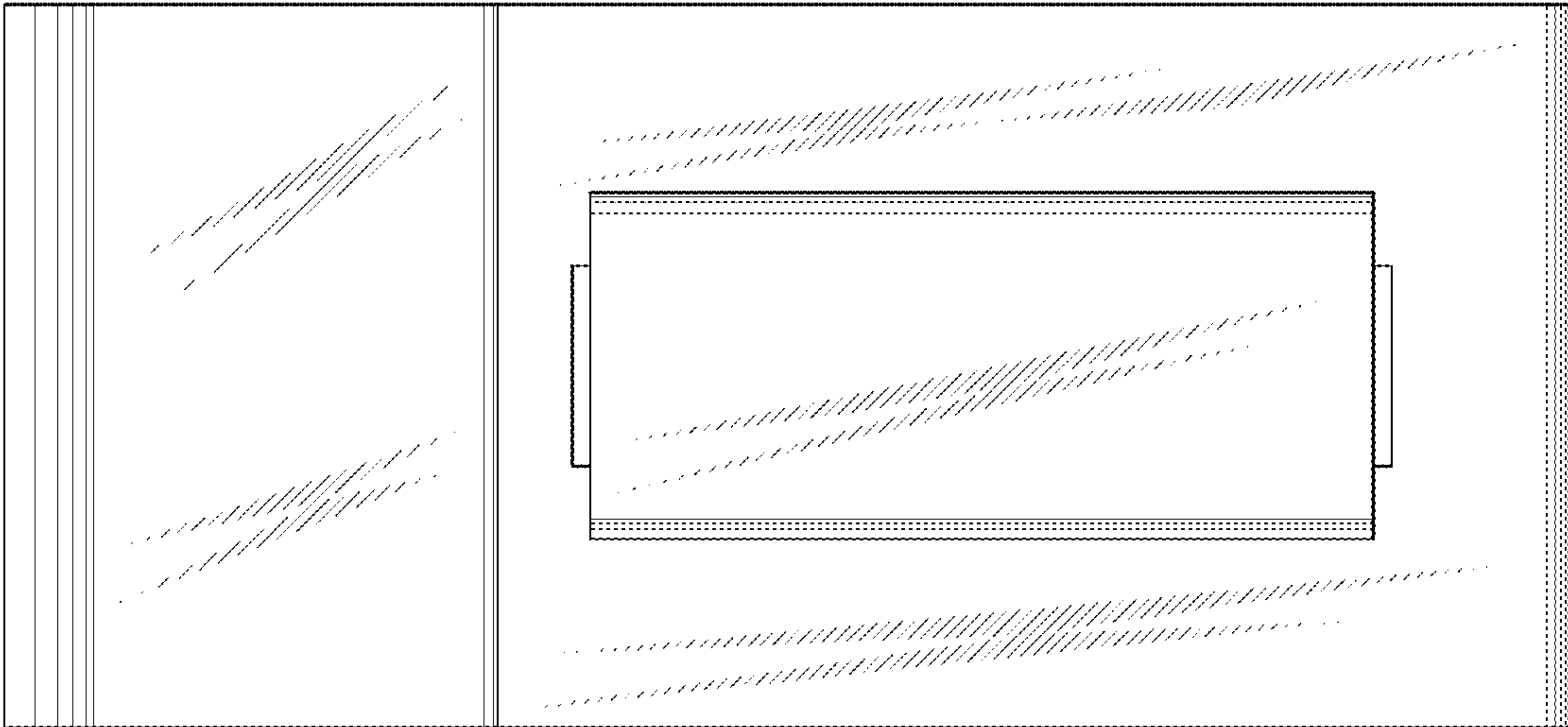


FIG. 5

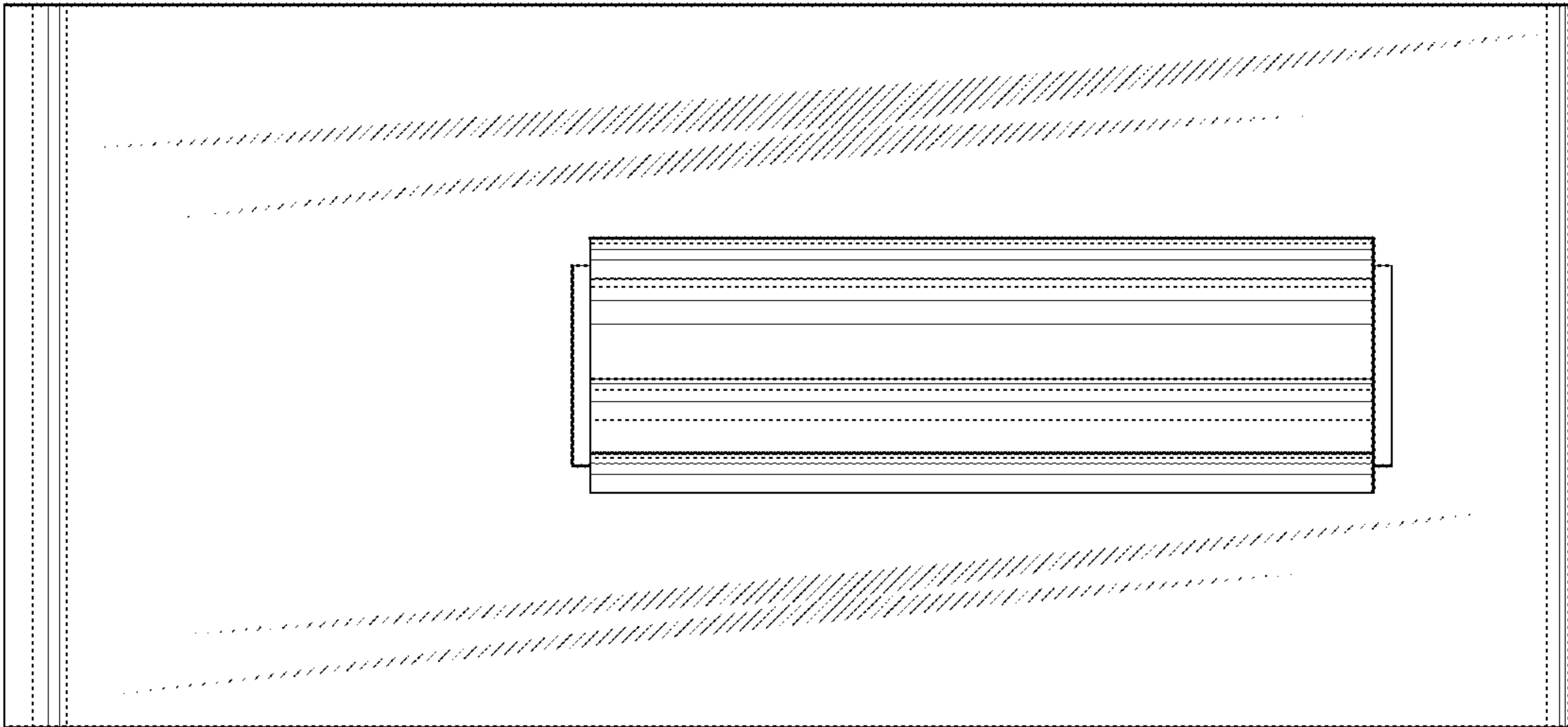


FIG. 4

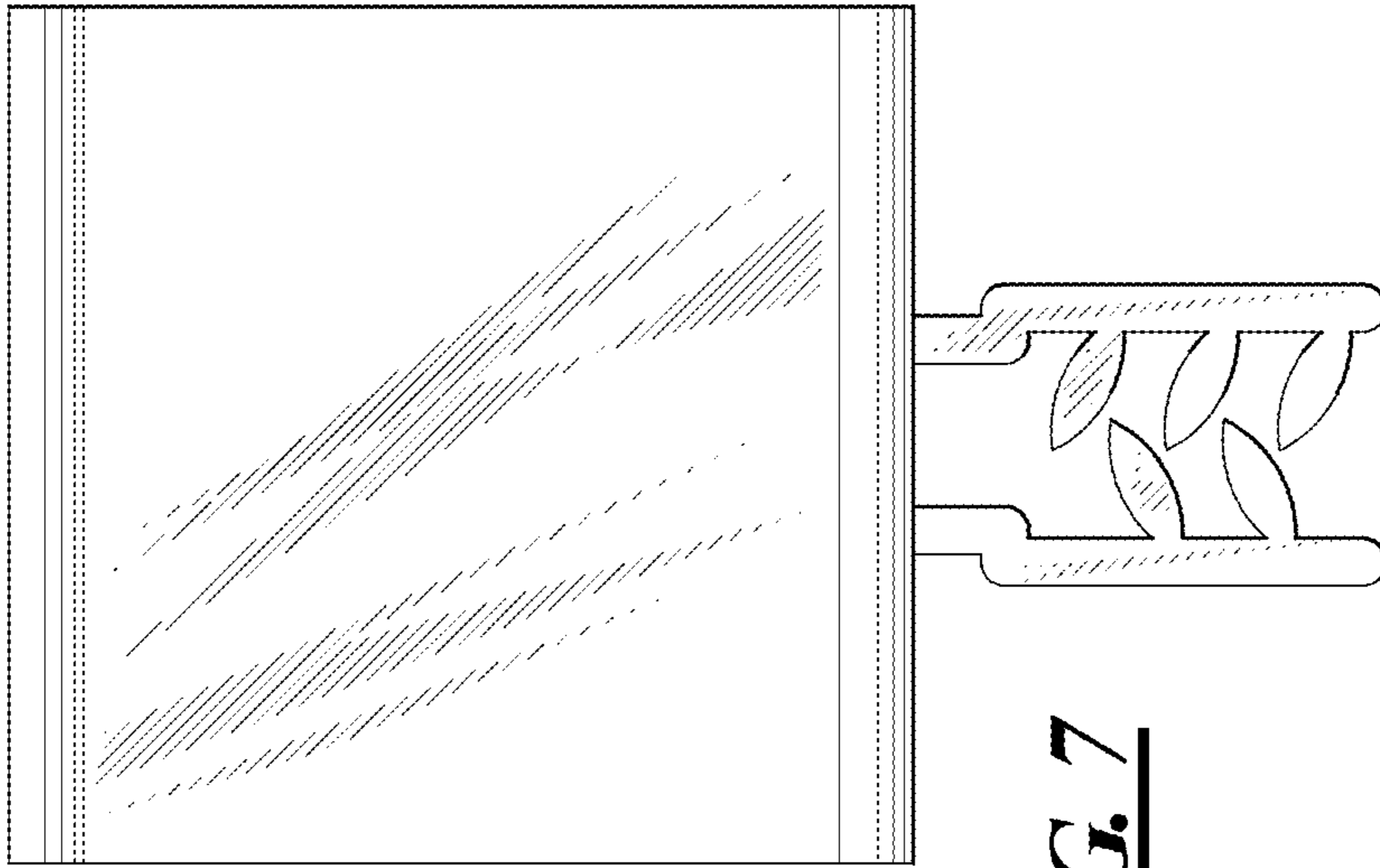


FIG. 7

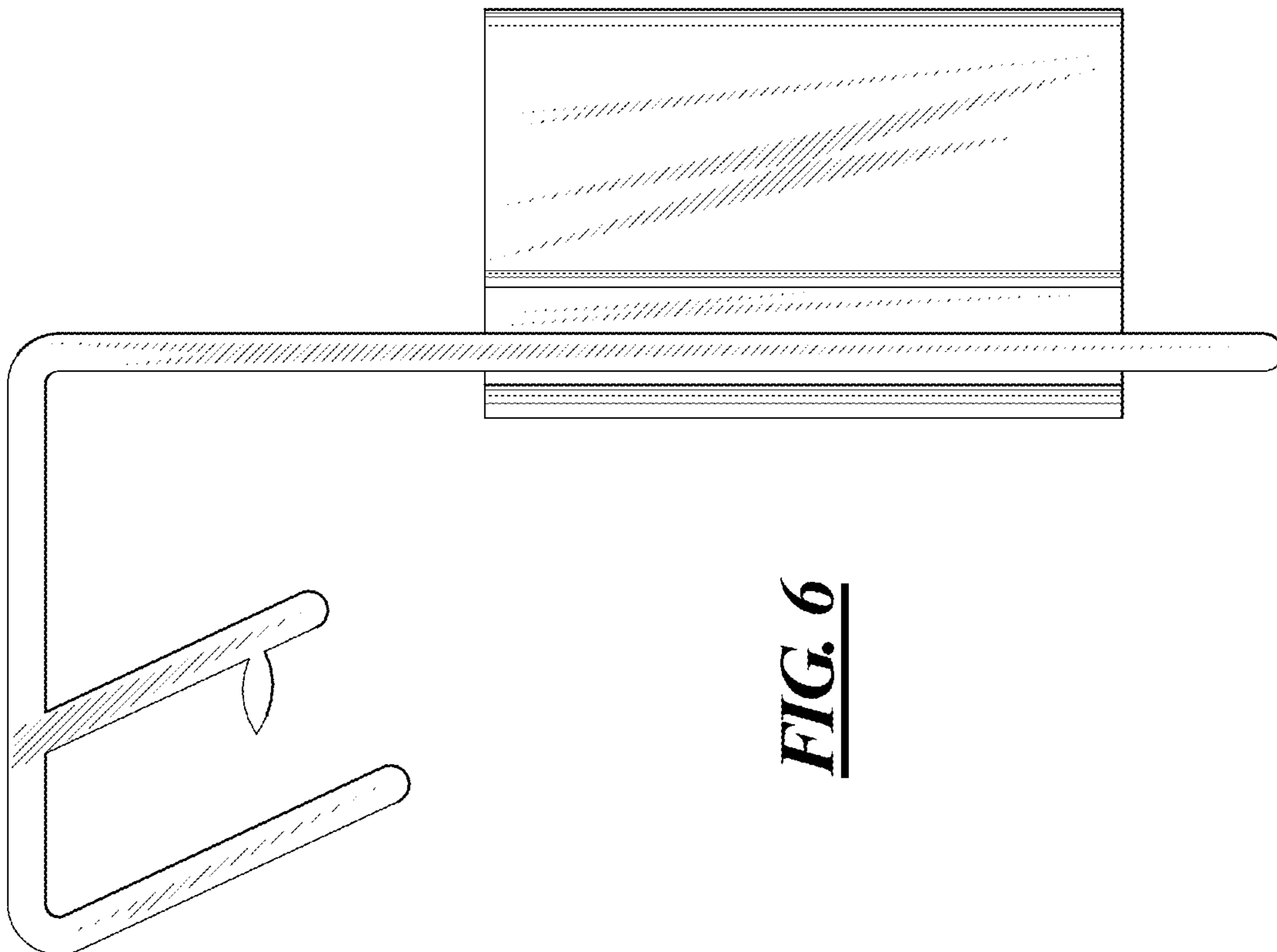


FIG. 6

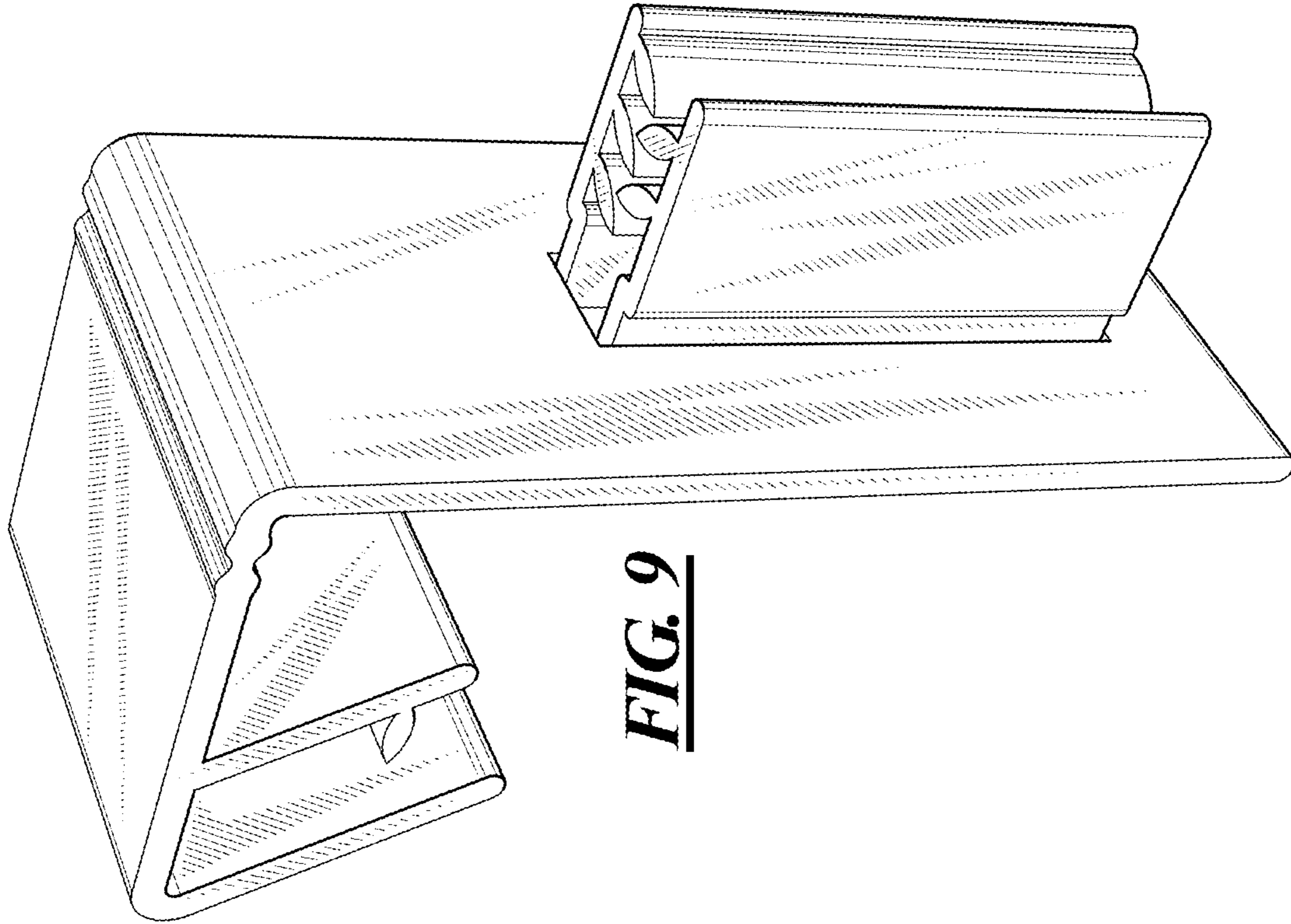


FIG. 9

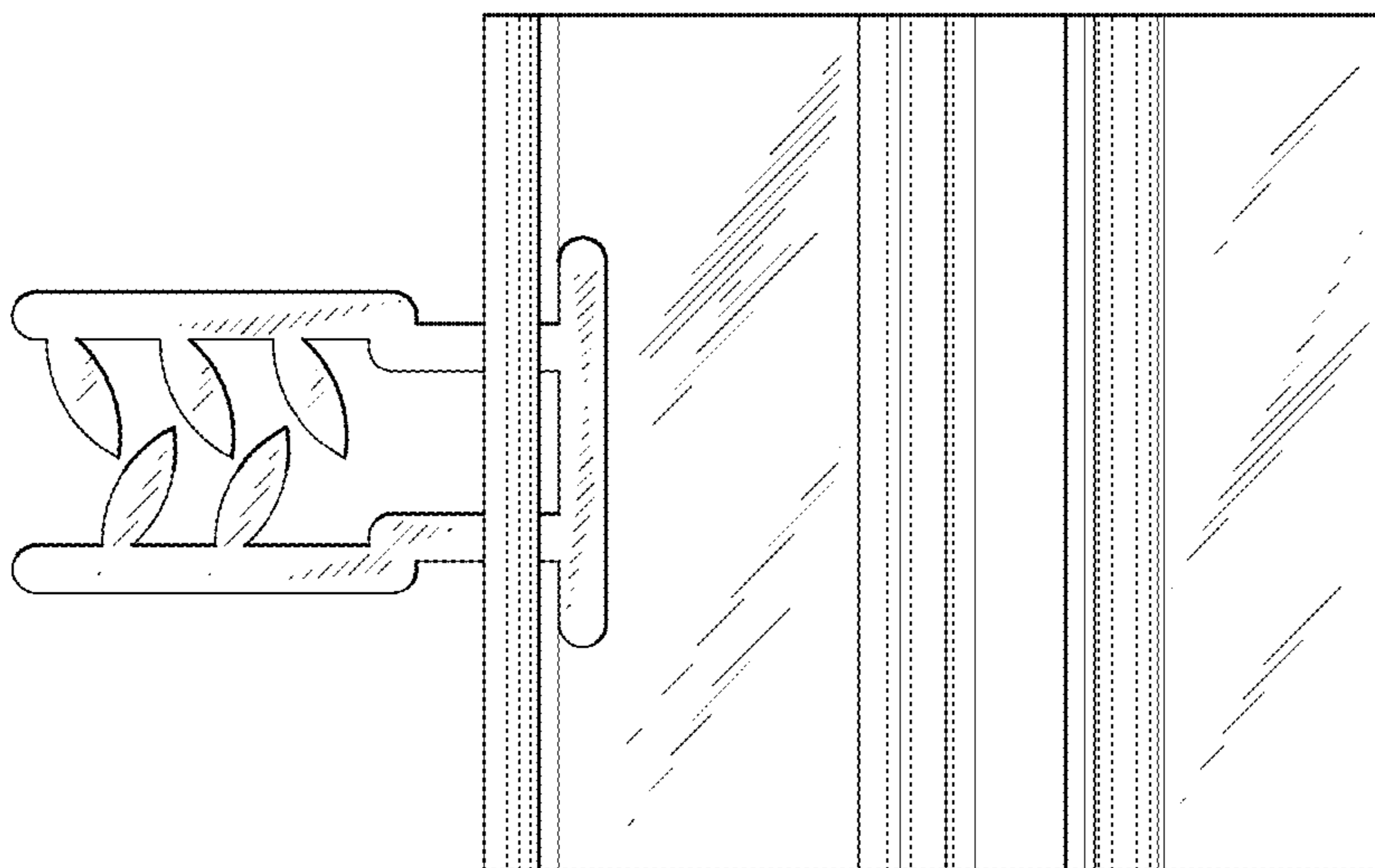


FIG. 8

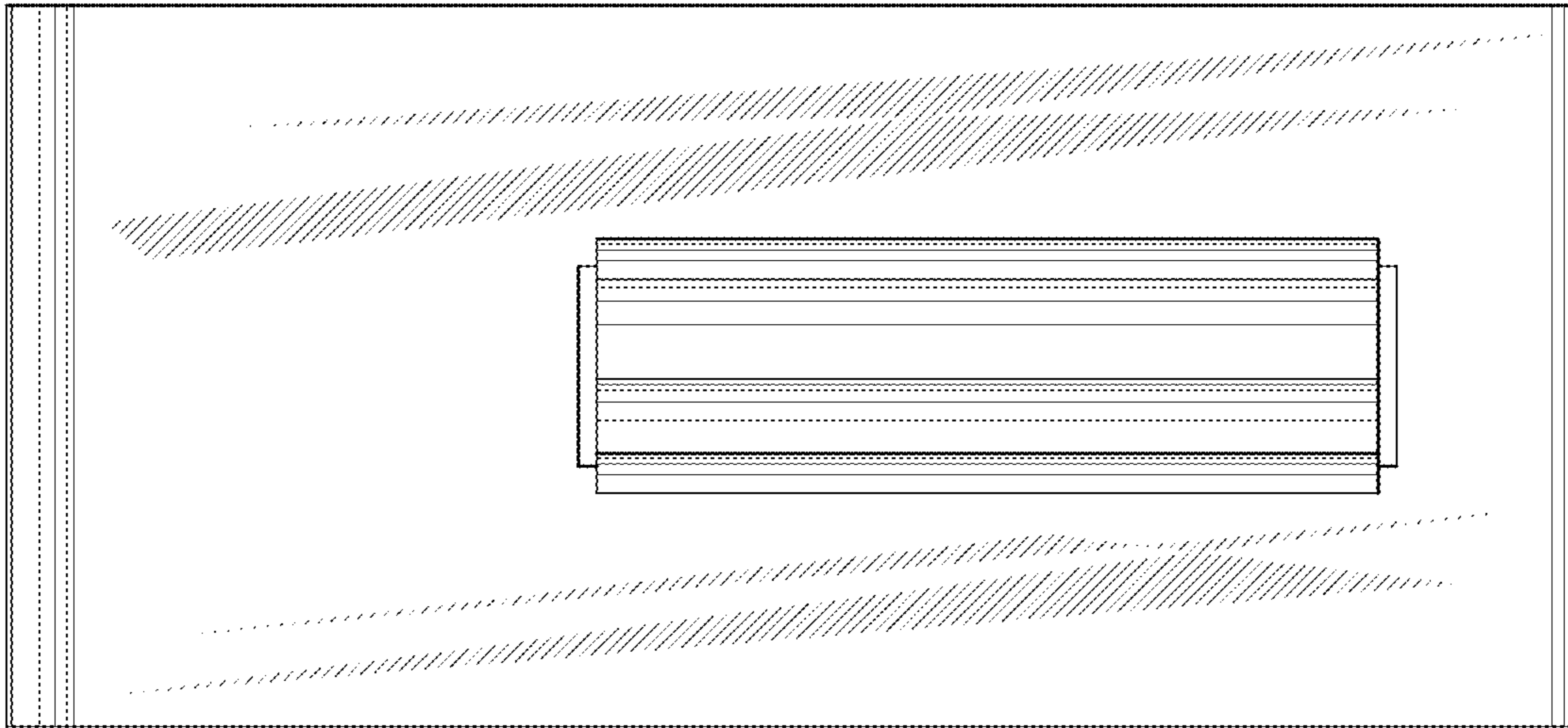


FIG. 11

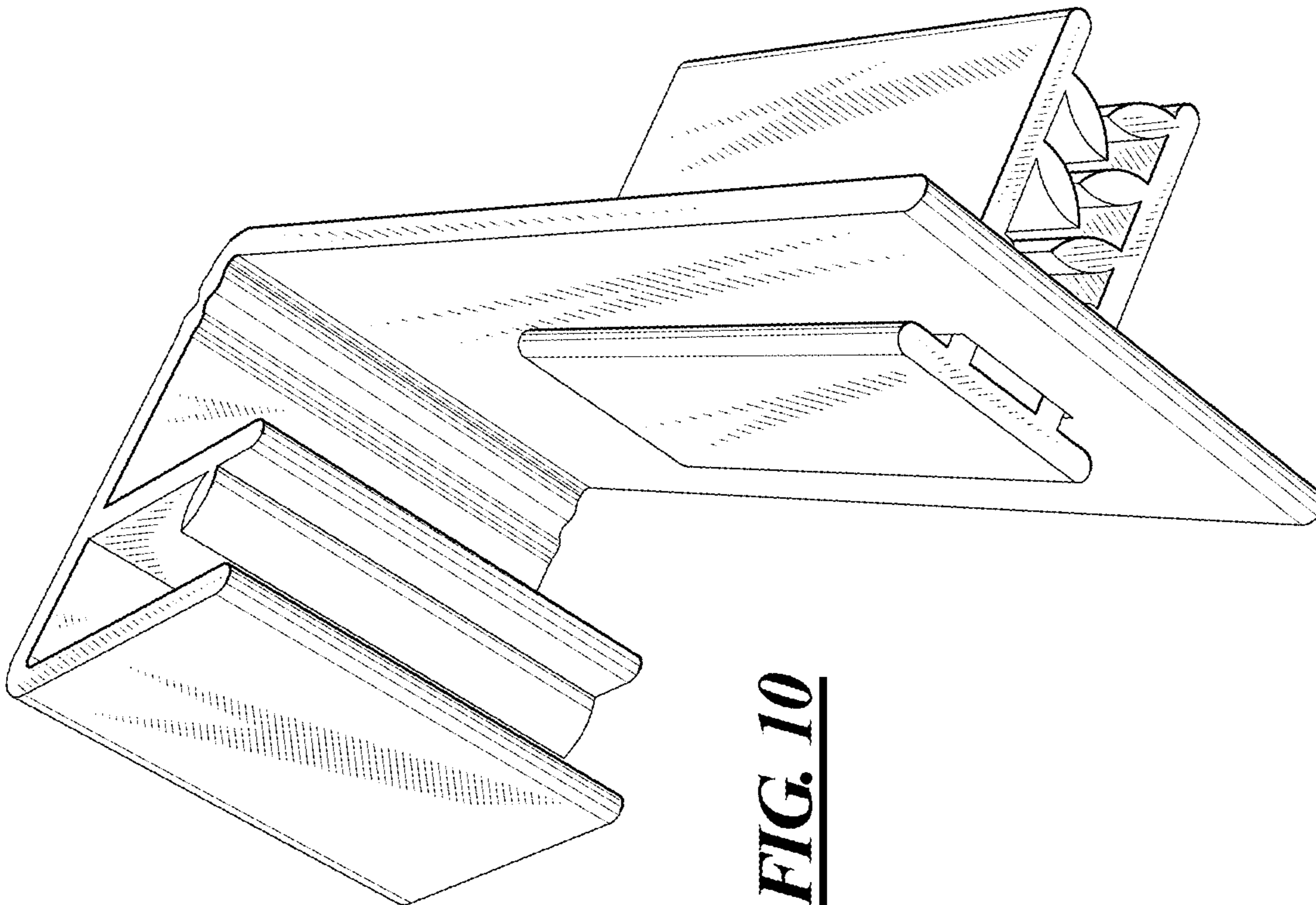
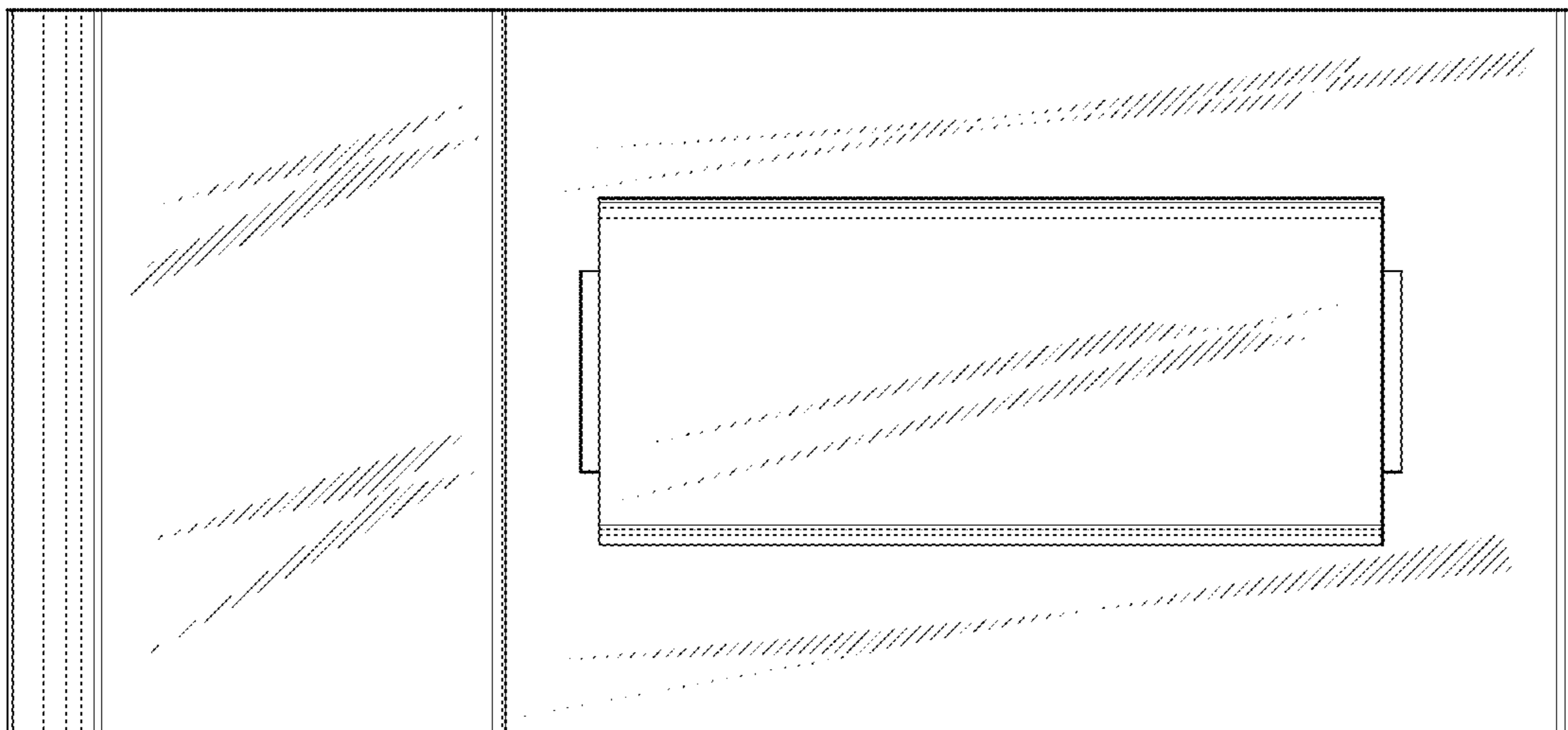
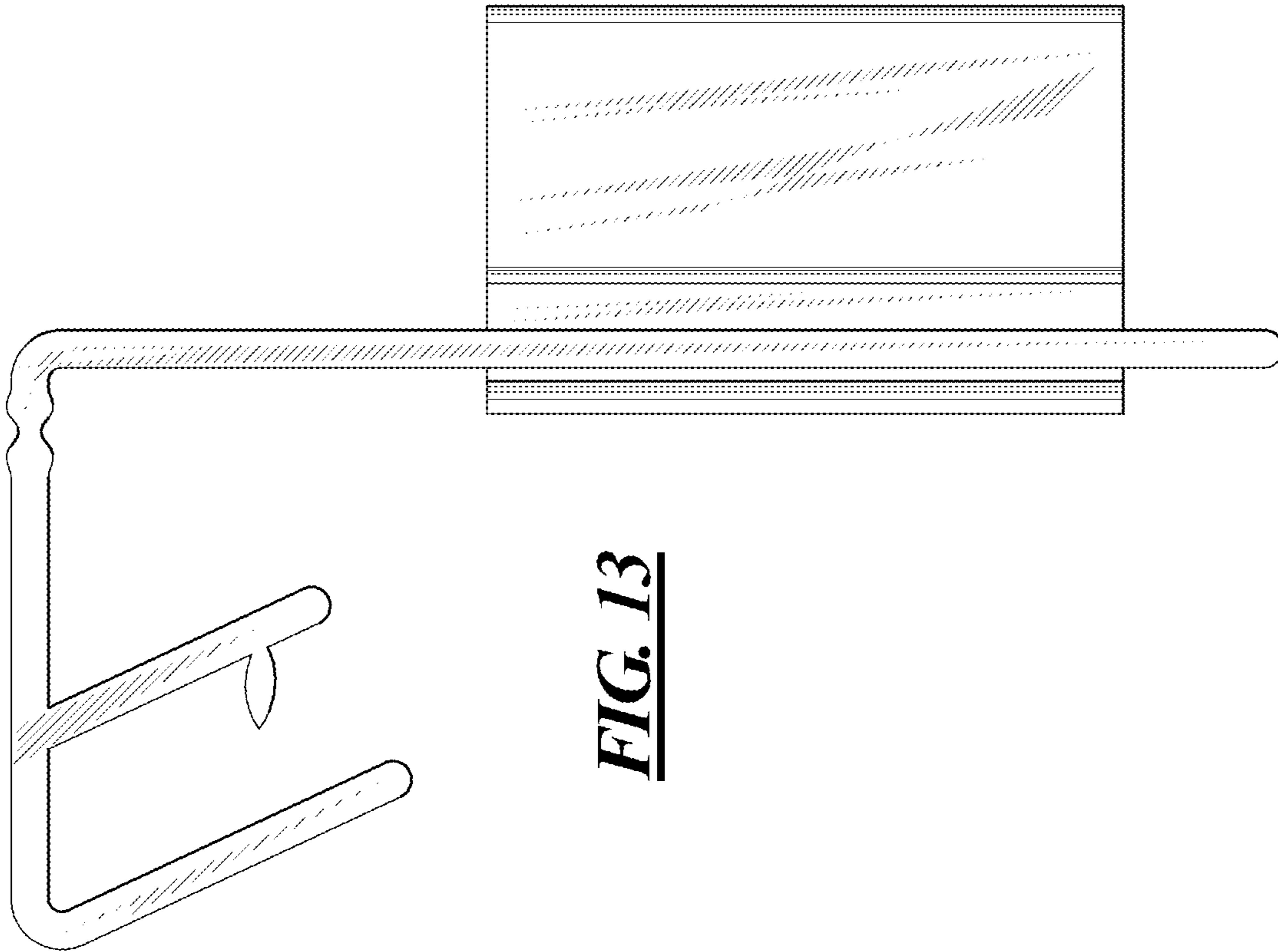


FIG. 10



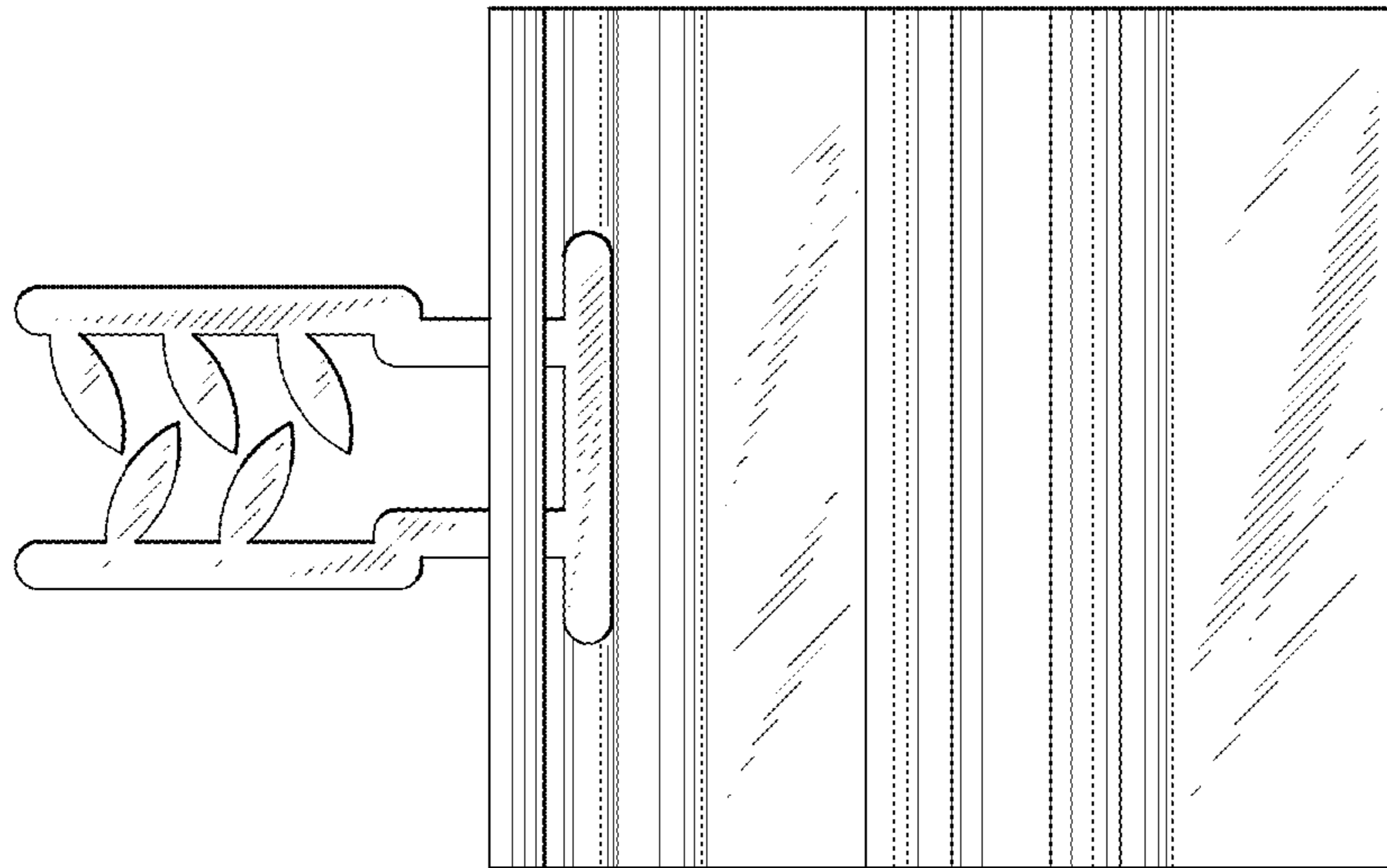


FIG. 15

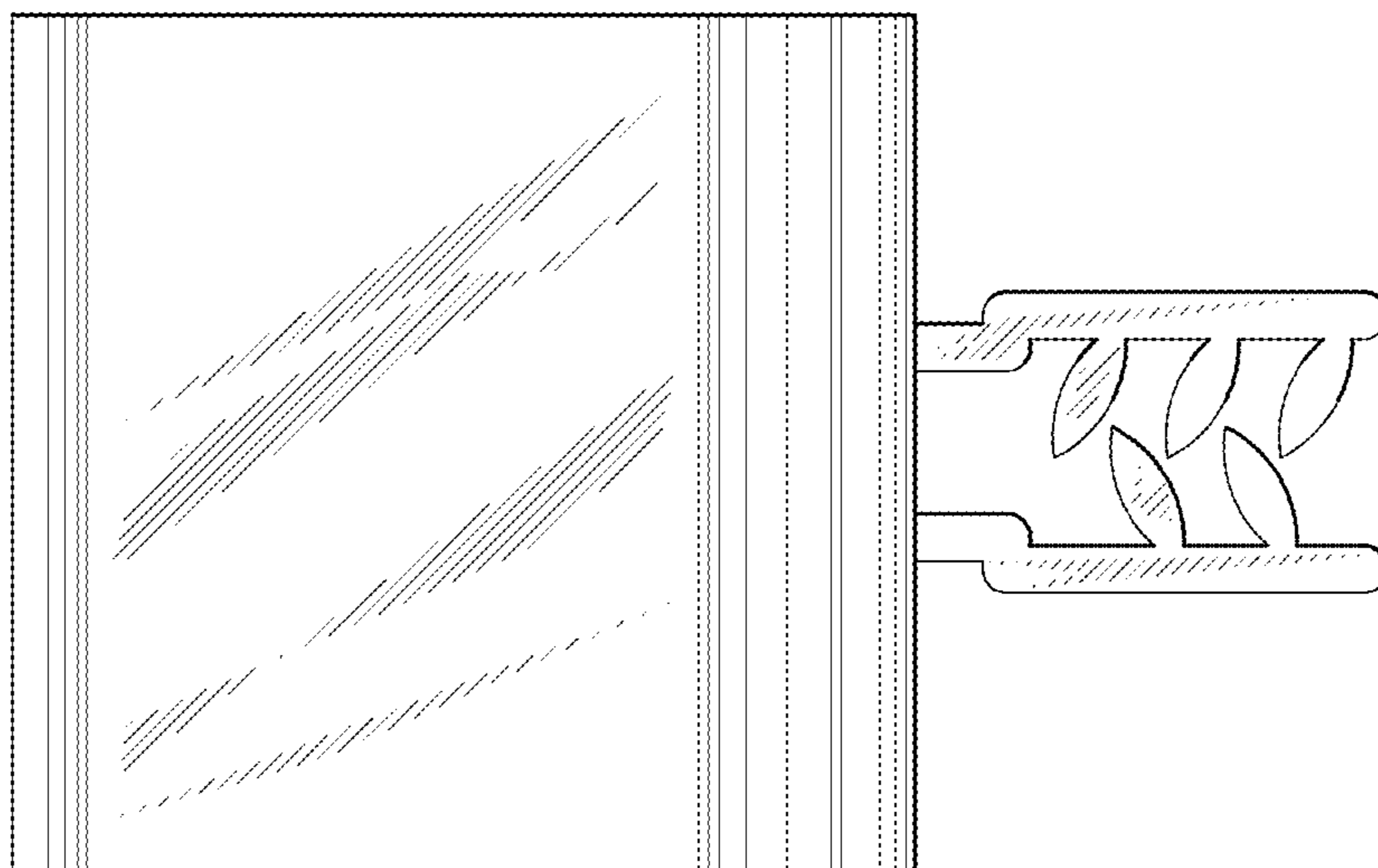


FIG. 14