



US00D877600S

(12) **United States Design Patent** (10) **Patent No.:** **US D877,600 S**  
**Chen** (45) **Date of Patent:** **\*\* Mar. 10, 2020**

(54) **ROTATIONAL DEVICE**  
(71) Applicant: **Xuefeng Chen**, Zengcheng (CN)  
(72) Inventor: **Xuefeng Chen**, Zengcheng (CN)

1/15; A01D 34/822; A47L 9/26; A47L 388/0055; E05C 19/10; E05C 17/50; E05C 3/045; E05C 3/30; E05C 19/02; E05C 19/026; A47G 25/0614; A47G 25/18;

(73) Assignee: **GUANGZHOU CHANGGONGLANGBO NETWORK TECHNOLOGY CO. LTD.**, Zengcheng (CN)

(Continued)

(\*\*) Term: **15 Years**

(56) **References Cited**

(21) Appl. No.: **29/630,968**

U.S. PATENT DOCUMENTS

D250,742 S \* 1/1979 Wendler ..... D6/558  
D429,996 S \* 8/2000 Fiorentino ..... D8/356

(Continued)

(22) Filed: **Dec. 26, 2017**

OTHER PUBLICATIONS

(51) **LOC (12) Cl.** ..... **08-05**

Digitchnny Swing Swivel, 35KN Safety Rotational Device with 2 Carabiners, posted as early as Mar. 14, 2017, [retrieved Jan. 10, 2019]. Retrieved from Internet, <URL: [https://www.amazon.com/dp/B07JML455W/ref=psdc\\_13881931\\_t1\\_B01HWSQIGM?th=1](https://www.amazon.com/dp/B07JML455W/ref=psdc_13881931_t1_B01HWSQIGM?th=1)>.\*

(52) **U.S. Cl.**

USPC ..... **D8/373**

(Continued)

(58) **Field of Classification Search**

USPC ..... D08/373, 358, 359, 354, 71, 330, 336, D08/351, 356, 360.1, 363, 364, 367, 370, D08/372, 379, 381, 382, 395, 396; D06/349, 352; D09/426, 502, 750; D10/72, 73, 89; D11/79, 93; D13/103, D13/107; D19/67; D21/673, 674, 675, D21/839, 840; D25/19, 62, 68, 69; D26/40, 49; D29/122, 124; D30/153, D30/155

*Primary Examiner* — Karen E Kearney  
*Assistant Examiner* — Kristin E Reed  
(74) *Attorney, Agent, or Firm* — Law Offices of Steven W. Weinrieb

CPC ..... B65H 75/40; B65H 75/4407; B65H 75/4471; B65H 2701/34; B65H 2701/32; B65H 2511/142; B65H 29/008; B65H 2701/33; B65H 54/585; B65H 51/22; B65H 75/08; B65H 75/02; B65H 2301/41485; B65H 75/4468; B65H 2301/414323; B65H 2301/414325; B65H 16/02; B65H 2301/4131; B65H 75/403; B65H 75/441; B65D 85/66; B65D 85/67; B66D 3/006; B66D 3/18; B66D 3/26; B66D 3/02; B66D 3/14; B63B 21/18; B63B 21/26; B65B 57/005; A61G 7/1051; A61G 7/1061; B66B 11/08; A62C 33/04; B08B 2203/0276; B21C 47/28; H02G 11/02; A01K 89/003; H04M

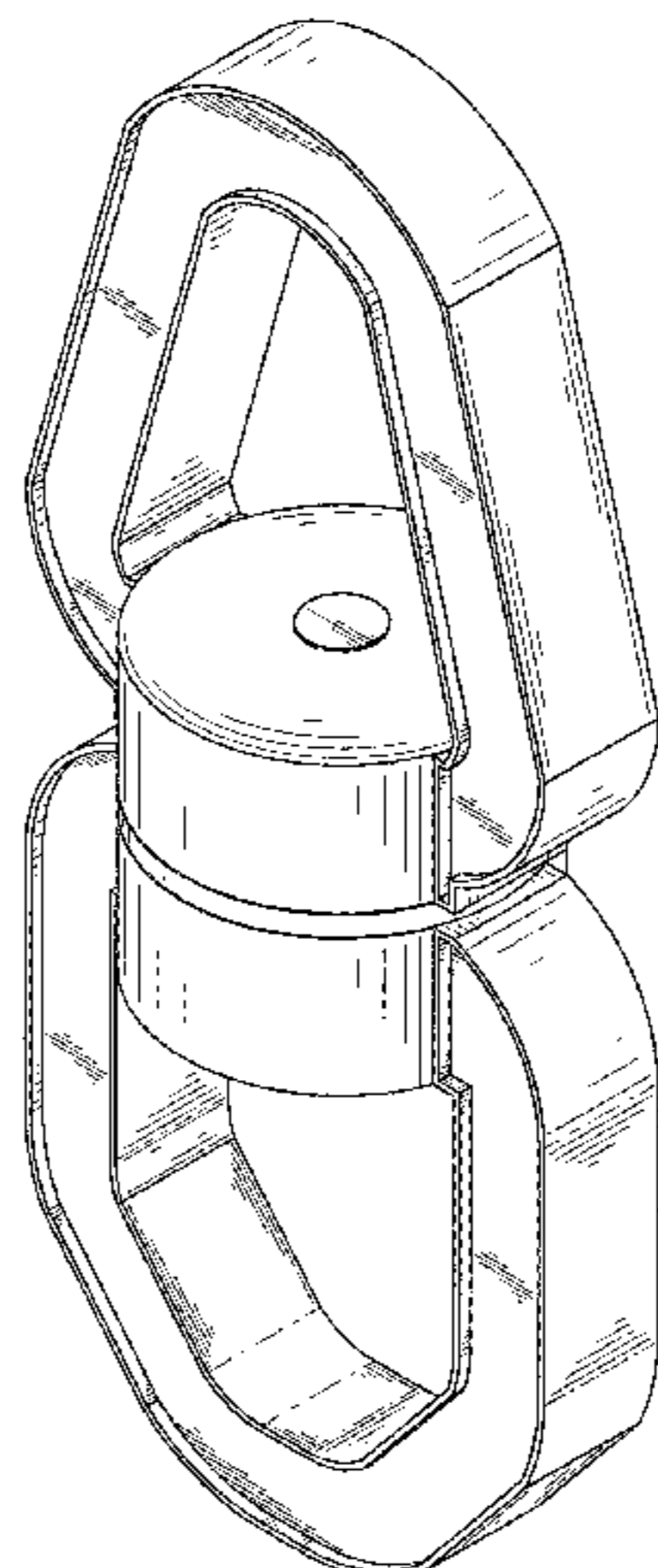
(57) **CLAIM**

The ornamental design for a rotational device, as shown and described.

**DESCRIPTION**

FIG. 1 is a right side, front, top perspective view of a rotational device showing my new design; FIG. 2 is a front elevational view thereof; FIG. 3 is a rear elevational view thereof; FIG. 4 is a left side elevational view thereof; FIG. 5 is a right side elevational view thereof; FIG. 6 is a top plan view thereof; and, FIG. 7 is a bottom plan view thereof.

**1 Claim, 7 Drawing Sheets**



(58) **Field of Classification Search**

CPC ..... A47G 25/32; A47G 7/047; A47G 7/045;  
A47G 7/042; A47G 7/044; F16B 12/44;  
F16B 12/46; F16B 5/0614; F16B 12/02;  
F16B 12/685; E04B 1/2612; E04B  
2001/2415; E04B 1/5818; E04B 1/5831;  
A47B 88/0055; E04F 11/1812; F16L  
1/0246; A01G 31/001; A01G 9/02; A01G  
9/083; A01G 9/12; A01G 9/024; A01G  
25/14; A01G 27/001; A01G 9/042; A01G  
27/005; H04R 1/1033; Y10S 24/909

See application file for complete search history.

(56)

**References Cited**

U.S. PATENT DOCUMENTS

D486,055 S \* 2/2004 Fiorentino ..... D8/354  
D492,576 S \* 7/2004 Fiorentino ..... D8/354  
D600,106 S \* 9/2009 Berney ..... D8/356

D602,348 S \* 10/2009 Berney ..... D8/367  
D626,393 S \* 11/2010 Ormsbee ..... D8/18  
D637,366 S \* 5/2011 Grainer ..... D30/155  
D659,518 S \* 5/2012 Xu ..... D8/356  
D686,058 S \* 7/2013 Paik ..... D8/356  
D736,605 S \* 8/2015 Minarik ..... D8/358  
9,139,400 B2 \* 9/2015 Shakal ..... B65H 75/14  
D801,162 S \* 10/2017 Xie ..... D8/367

OTHER PUBLICATIONS

Suyi Safety Aluminum Alloy Triangular Rotational Device , posted Jun. 15, 2017, [retrieved Jan. 10, 2019]. Retrieved from Internet, <URL: <https://www.amazon.co.uk/Triangular-Rotational-Accessory-Connector-Carabiner/dp/B071YVDZMQ> >.\*

Newdoar Swing Hardware Swivels Safety Rotational Device, posted Mar. 9, 2017, [retrieved Jan. 10, 2019]. Retrieved from Internet, <URL: <https://www.amazon.in/Newdoar-Hardware-Swivels-Rotational-Climbing/dp/B06XH5FJD9> >.\*

\* cited by examiner

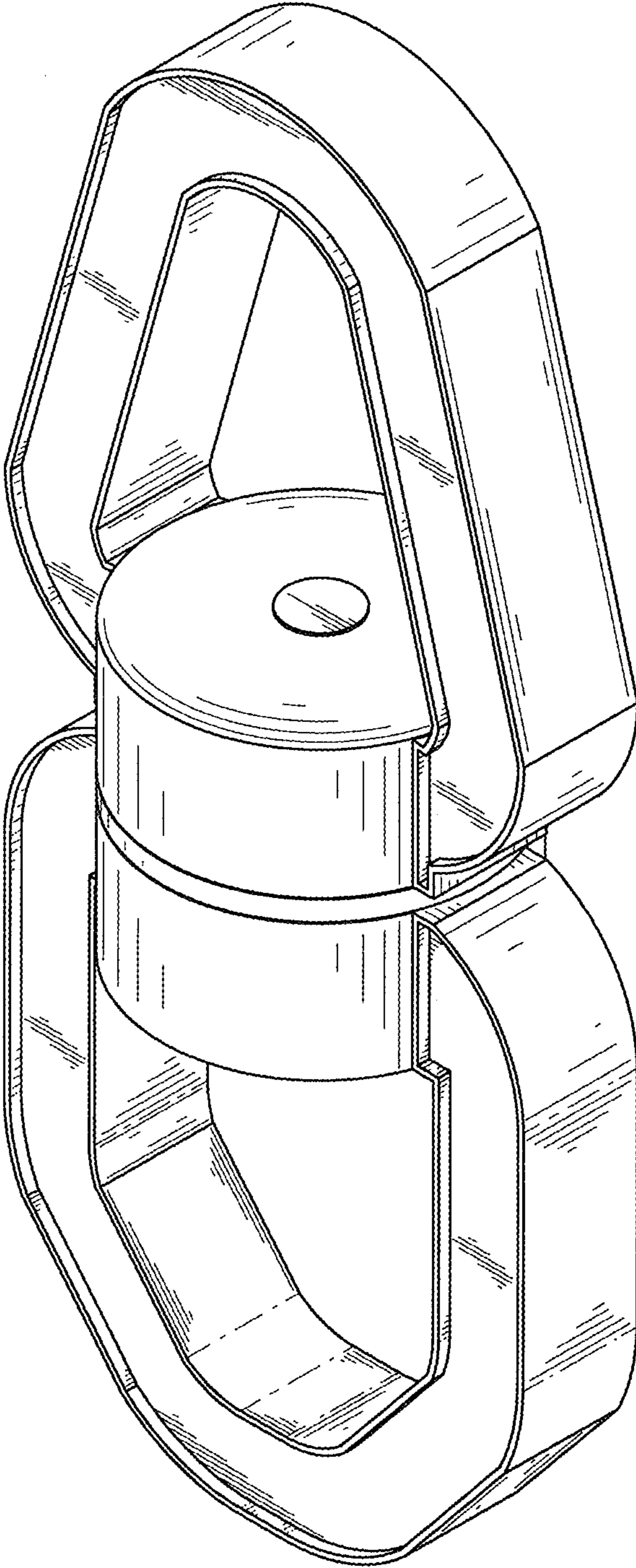


FIG. 1

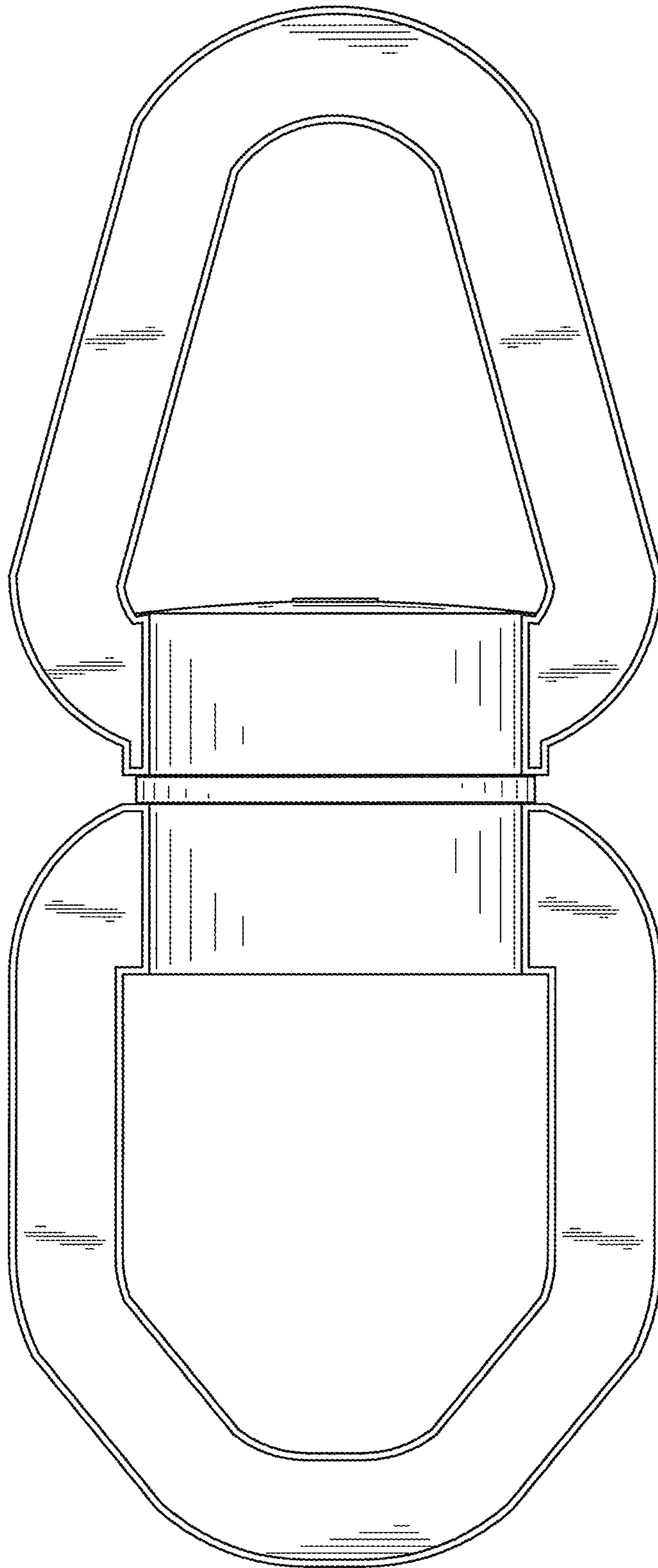


FIG. 2



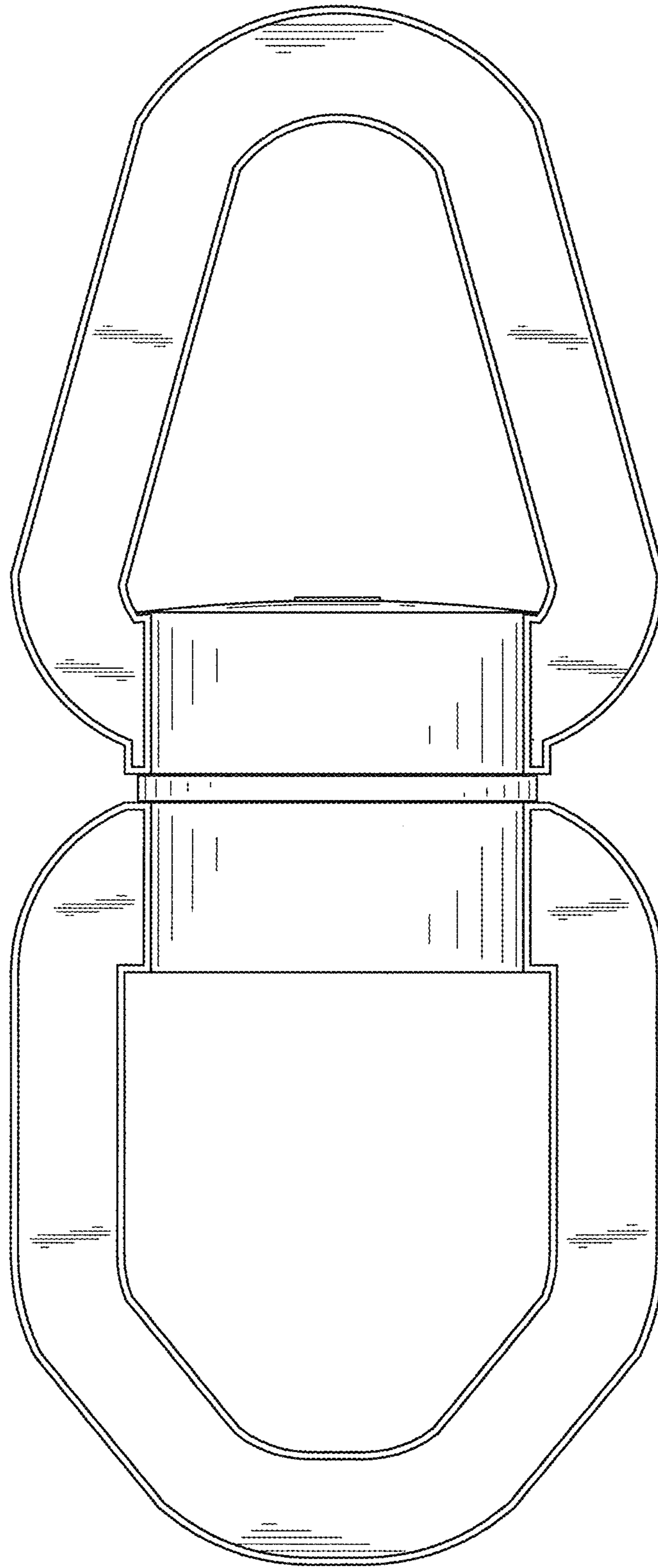


FIG. 3

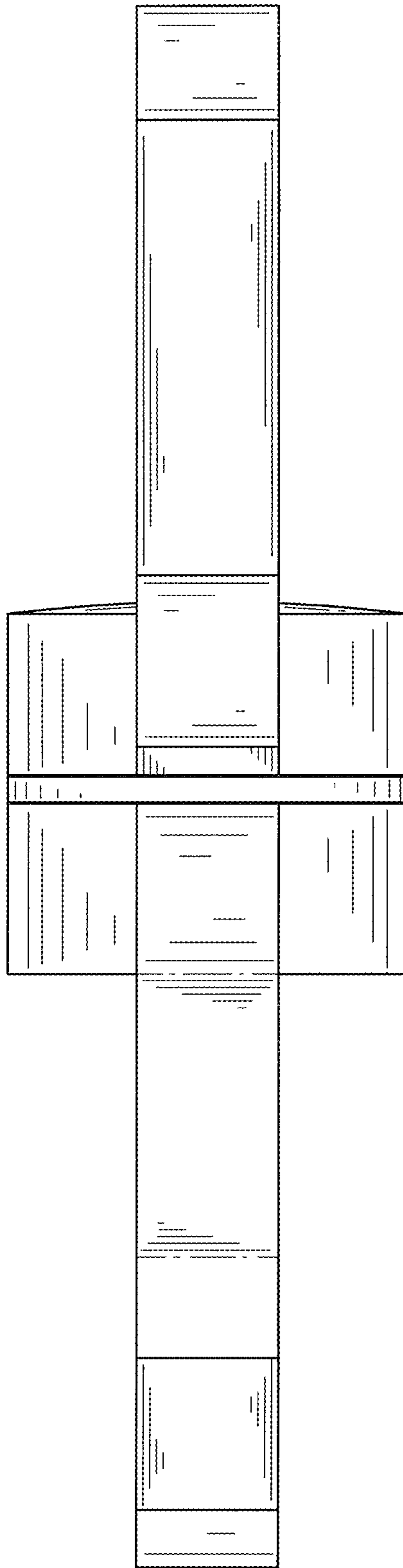


FIG. 4

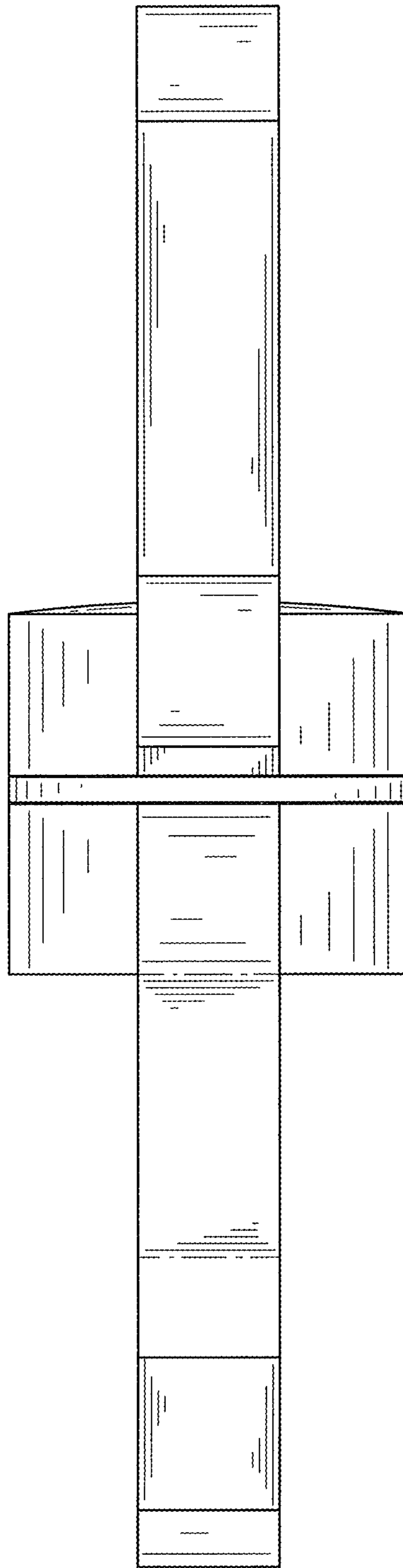


FIG. 5

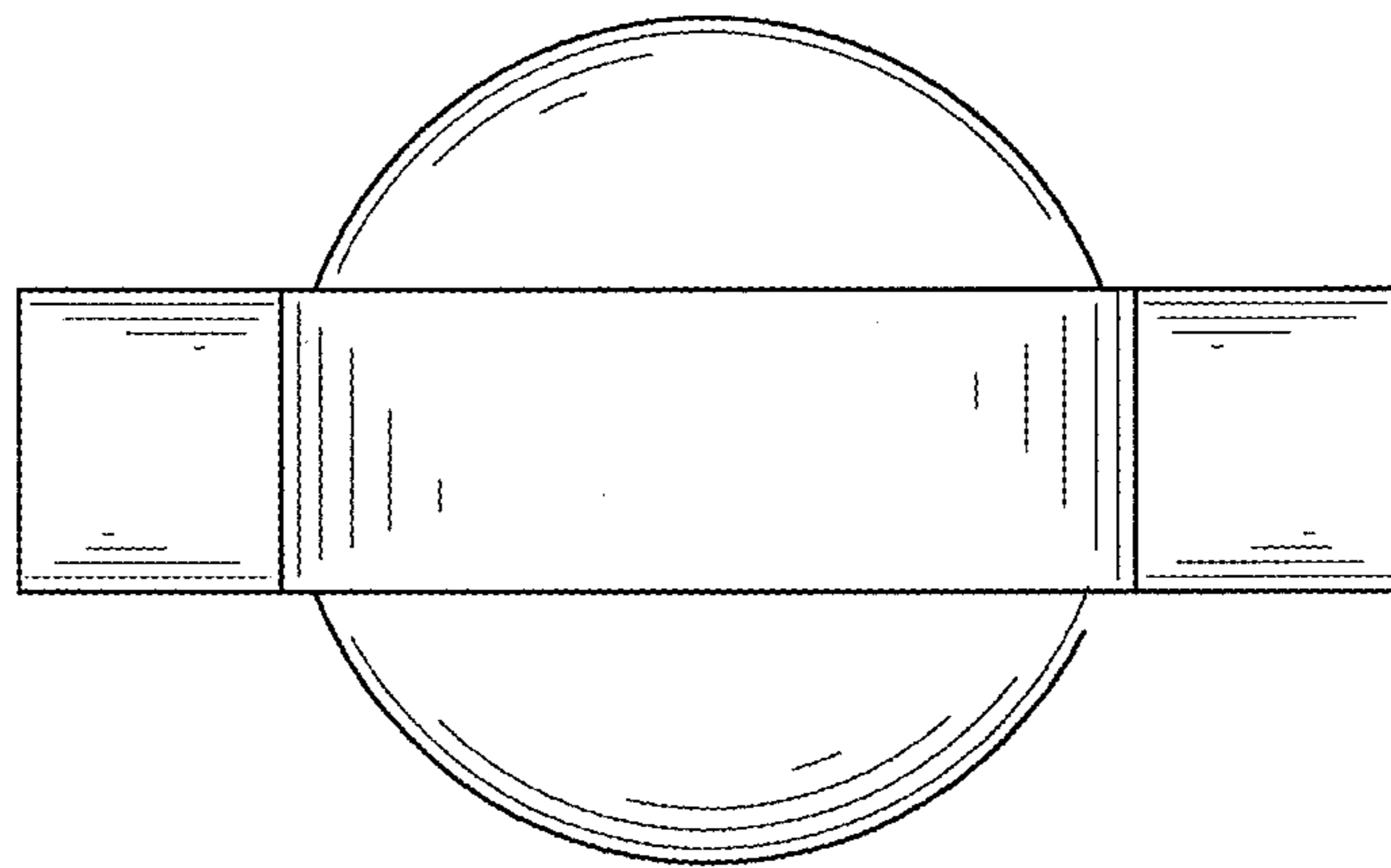


FIG. 6



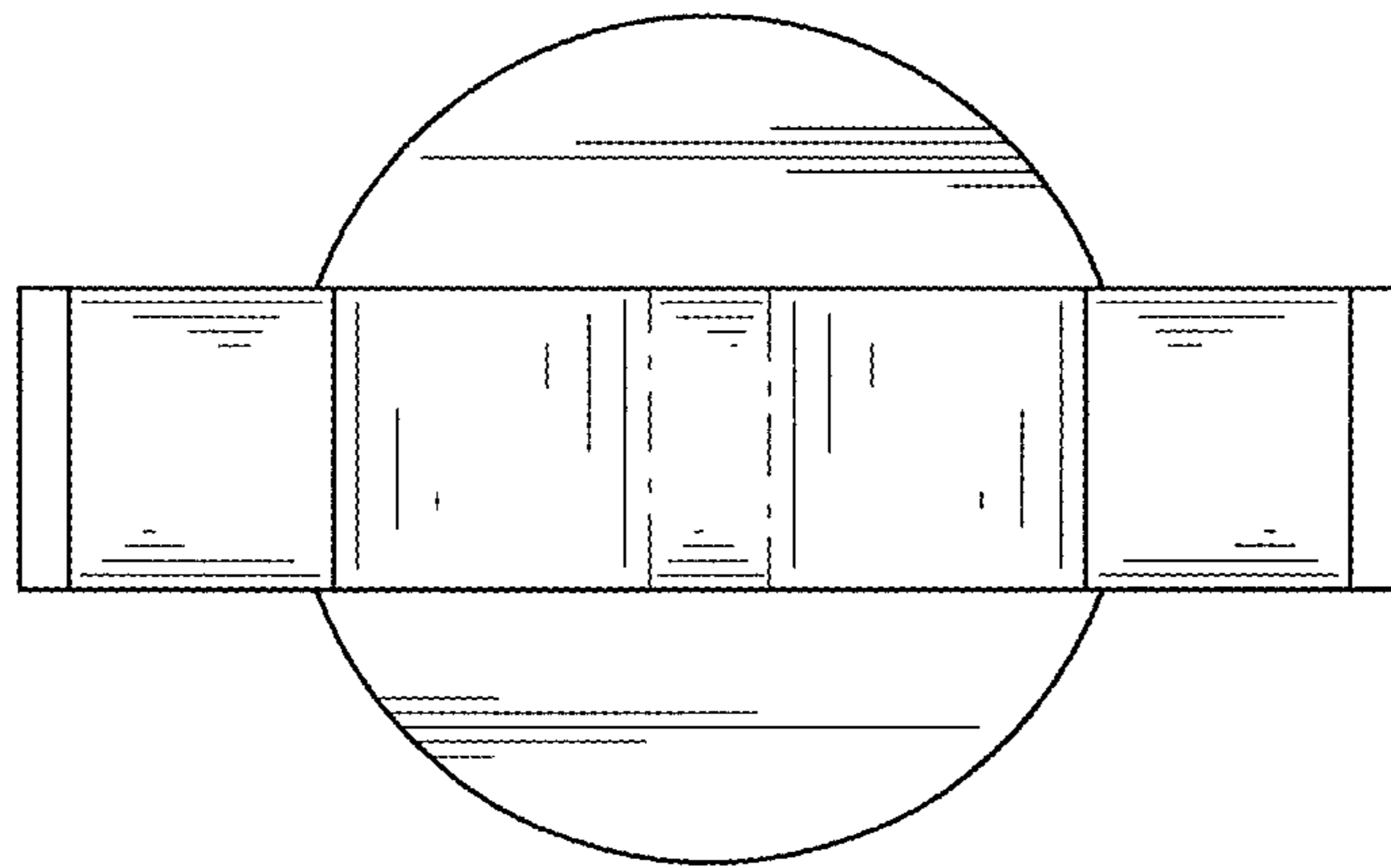


FIG. 7