



US00D877596S

(12) **United States Design Patent**
Schneider

(10) **Patent No.:** **US D877,596 S**

(45) **Date of Patent:** **** Mar. 10, 2020**

(54) **LOCK**

(71) Applicant: **Spectrum Brands, Inc.**, Middleton, WI
(US)

(72) Inventor: **Elliot Schneider**, Foothill Ranch, CA
(US)

(73) Assignee: **Spectrum Brands, Inc.**, Middleton, WI
(US)

(**) Term: **15 Years**

(21) Appl. No.: **29/641,241**

(22) Filed: **Mar. 20, 2018**

(51) **LOC (12) Cl.** **08-07**

(52) **U.S. Cl.**
USPC **D8/334**

(58) **Field of Classification Search**
USPC D8/301, 302, 330, 334, 335, 336, 337,
D8/338, 341, 342, 348, 350, 352, 339,
D8/400, 499; 70/20, 22, 57, 57.1, 91, 92,
70/102, 141, 237, 262, 263, 266, 278.1,
70/279.1, 416, 465, 442, 443, 214, 78,
70/447, DIG. 26, DIG. 27, DIG. 44
CPC ... E05B 9/00; E05B 9/02; E05B 47/00; E05B
49/00; E05B 37/00; E05B 1/00; E05B
47/0692; E05B 63/044; E05B 15/02;
H01H 9/00

See application file for complete search history.

(56) **References Cited**

U.S. PATENT DOCUMENTS

D552,968 S * 10/2007 Roberts D8/330
D645,726 S * 9/2011 Lu D8/330

D682,657 S * 5/2013 Roberts, III D8/331
D732,372 S * 6/2015 Gao D8/334
D737,118 S * 8/2015 Chan D8/330
D790,319 S * 6/2017 Schneider D8/331
D802,397 S * 11/2017 Schneider D8/331
10,122,138 B2 * 11/2018 Uyeda E05B 47/00
2014/0250956 A1 * 9/2014 Chong 70/278.1
2016/0115713 A1 * 4/2016 Lin E05B 47/00
70/266
2019/0003207 A1 * 1/2019 Wu E05B 47/0012

* cited by examiner

Primary Examiner — Ian Simmons

Assistant Examiner — Yolanda Robinson

(74) *Attorney, Agent, or Firm* — Banner & Witcoff, Ltd.

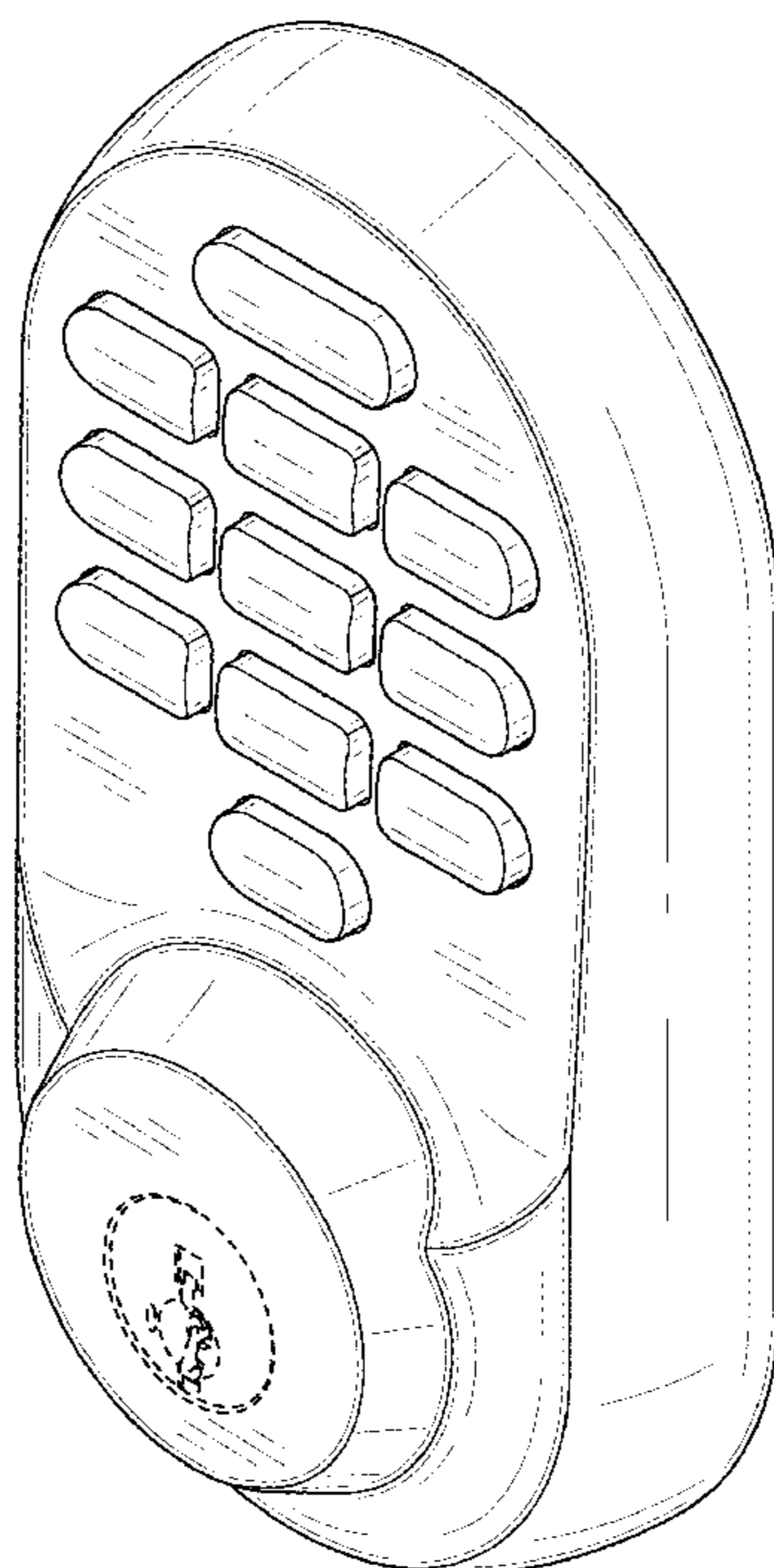
(57) **CLAIM**

The ornamental design for a lock, as shown and described.

DESCRIPTION

FIG. 1 is a front perspective view of a lock showing my new design;
FIG. 2 is a front view thereof;
FIG. 3 is a right side view thereof;
FIG. 4 is a left side view thereof;
FIG. 5 is a top view thereof; and,
FIG. 6 is a bottom view thereof.
The broken lines showing the locking cylinder form no part of the claimed design.

1 Claim, 5 Drawing Sheets



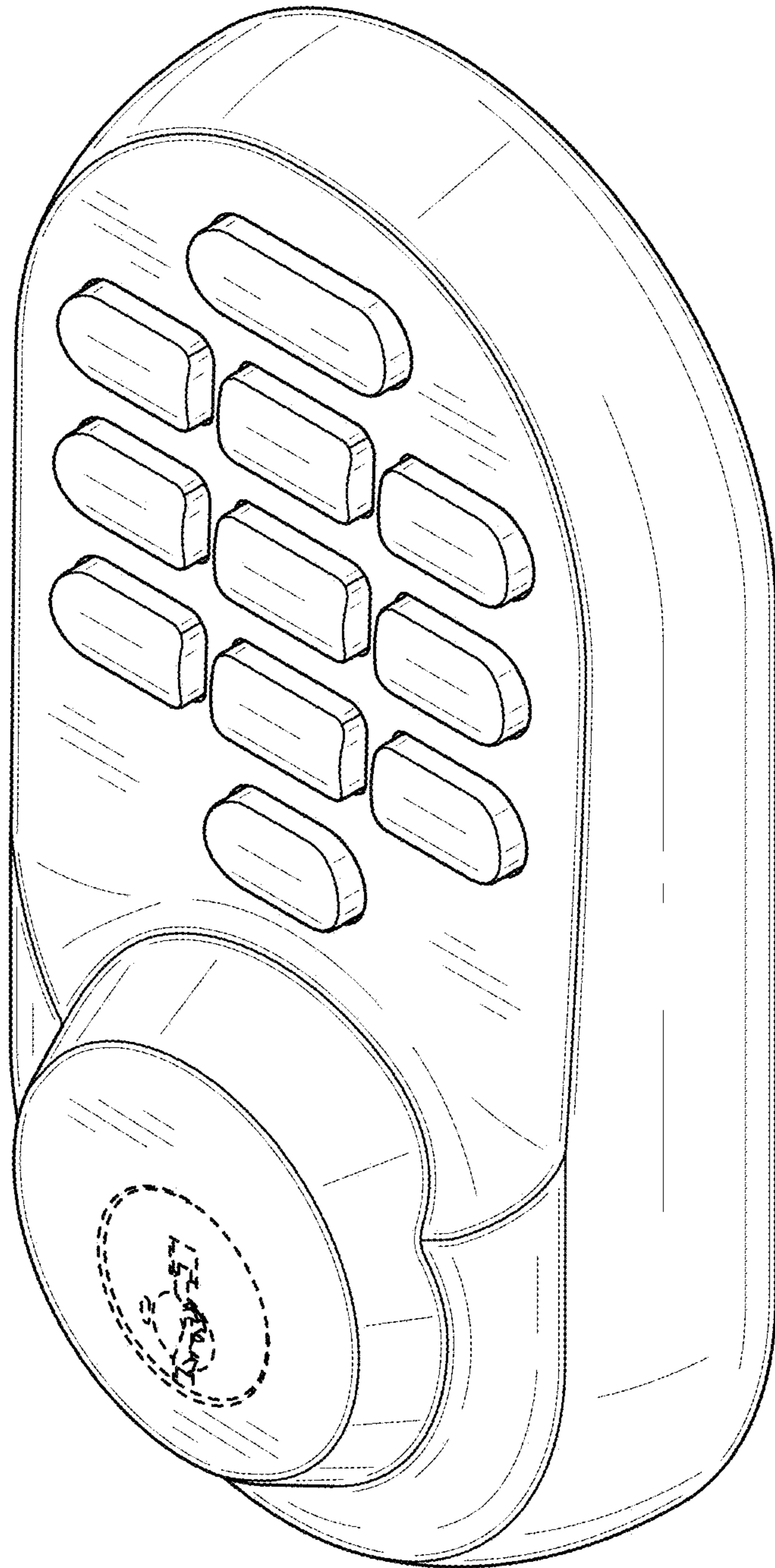


FIG. 1

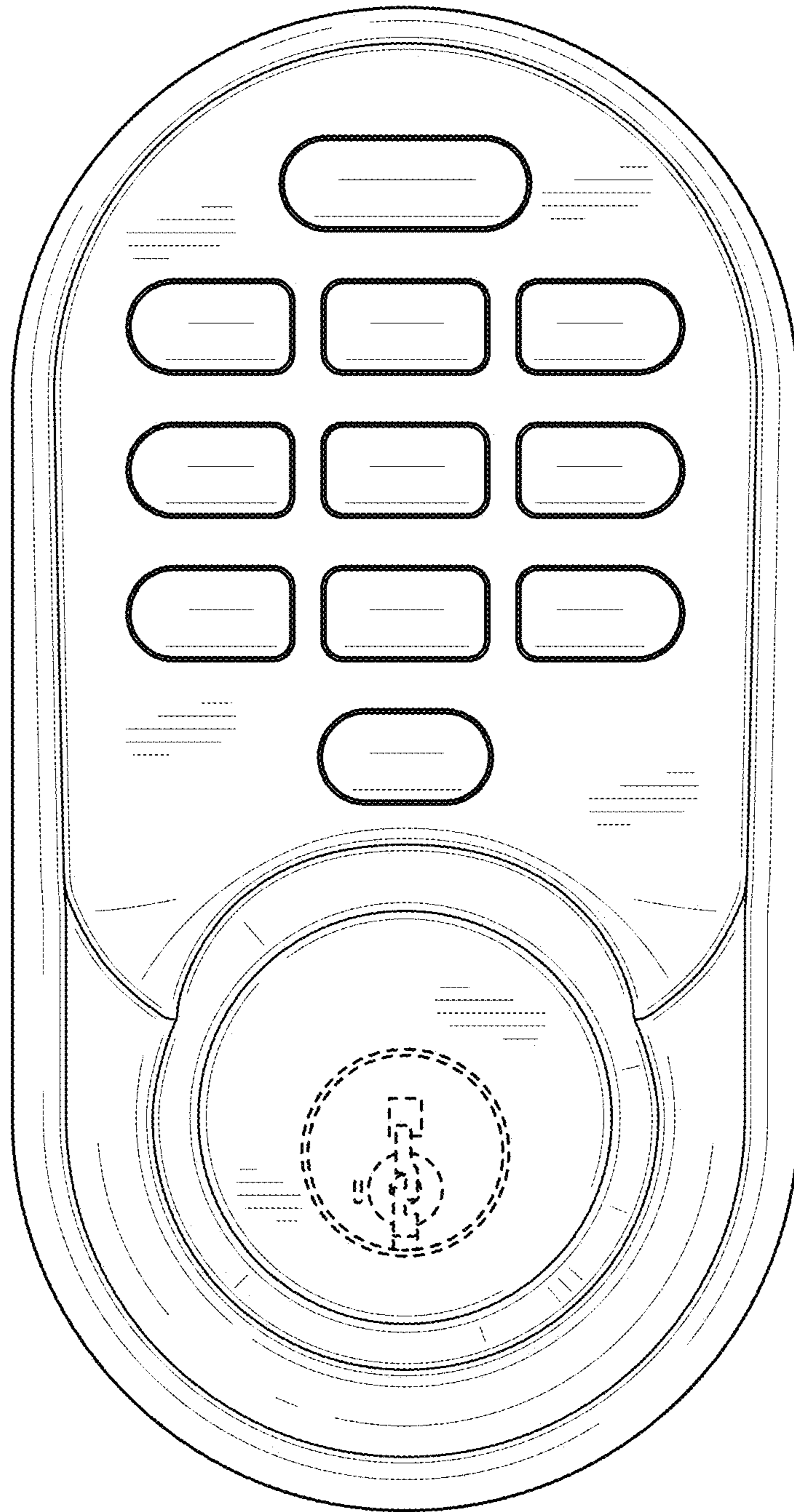


FIG. 2

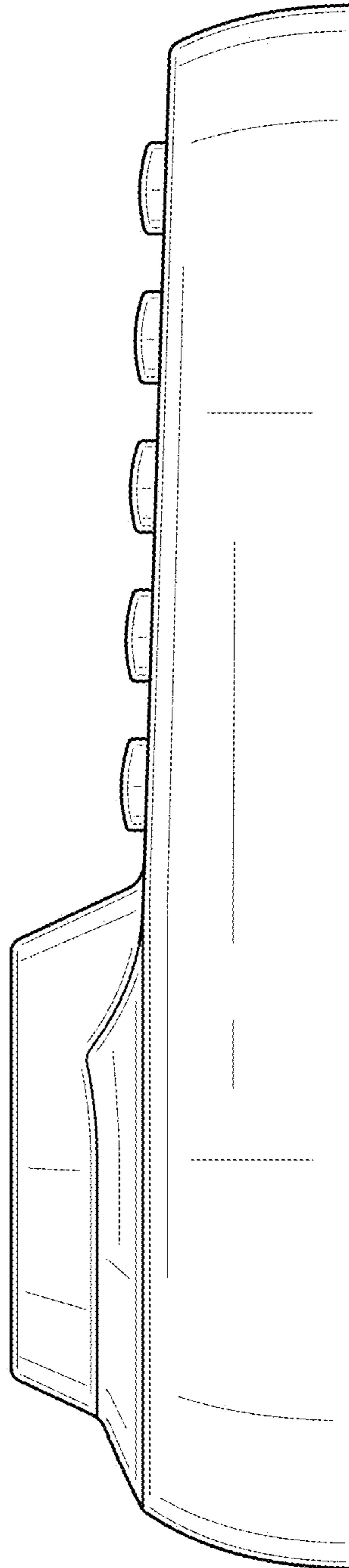


FIG. 3

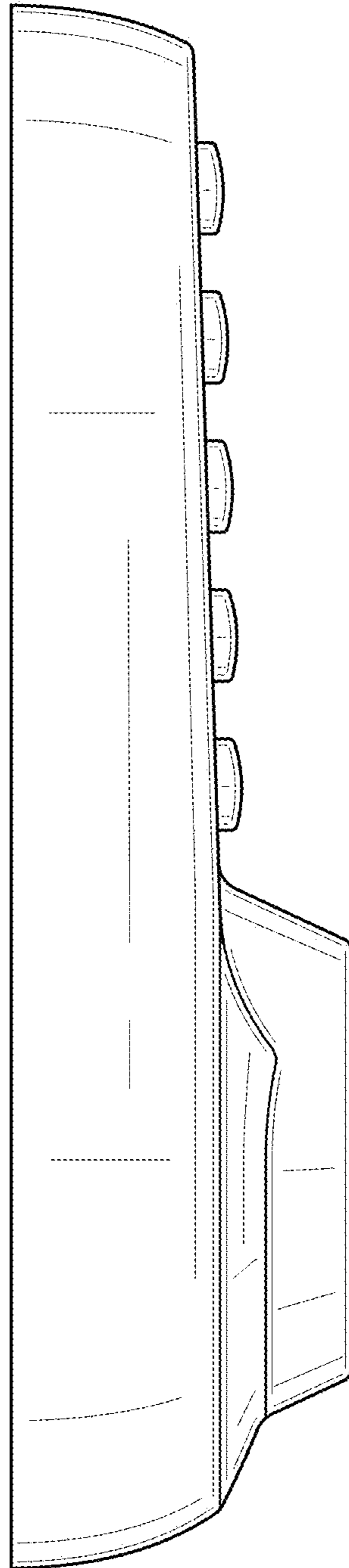


FIG. 4

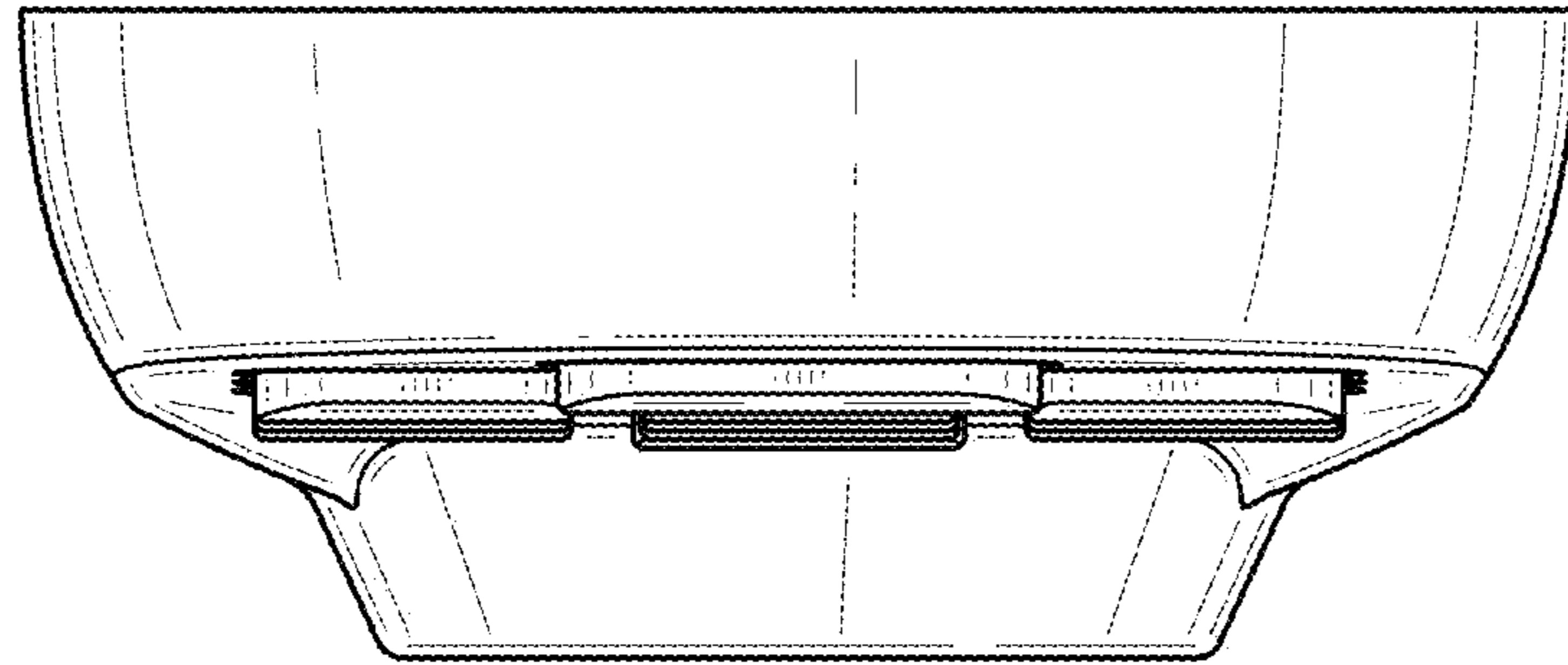


FIG. 5

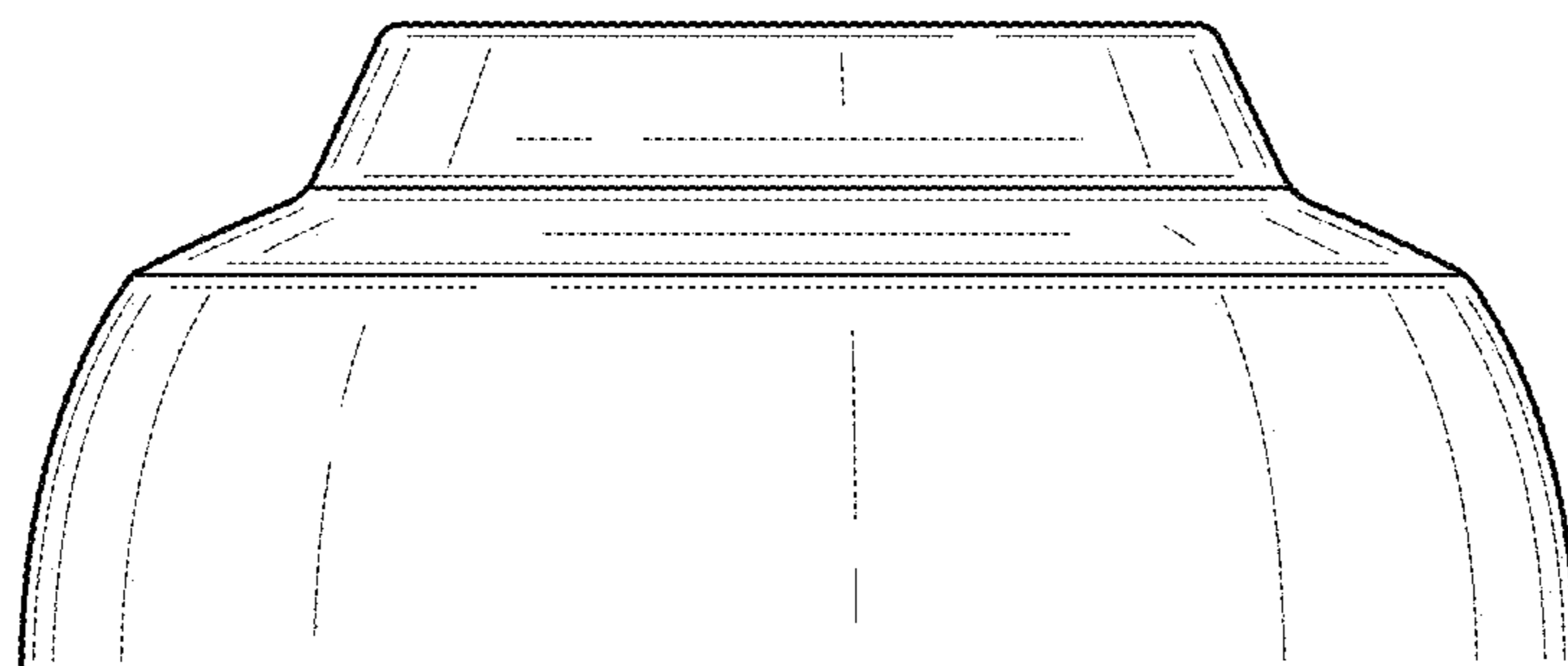


FIG. 6