



US00D877594S

(12) **United States Design Patent**
Liang et al.

(10) **Patent No.:** **US D877,594 S**

(45) **Date of Patent:** **** Mar. 10, 2020**

(54) **POCKET TOOL**

(74) *Attorney, Agent, or Firm* — Haynes and Boone, LLP

(71) Applicant: **NITE IZE, INC.**, Boulder, CO (US)

(72) Inventors: **Robin Liang**, Guandong (CN); **Andrew Valentine**, Wheat Ridge, CO (US); **Bowden Ormsbee**, Longmont, CO (US); **Rex Stevens**, Longmont, CO (US)

(57) **CLAIM**

The ornamental design for the pocket tool, as shown and described.

(73) Assignee: **Nite Ize, Inc.**, Boulder, CO (US)

(**) Term: **15 Years**

DESCRIPTION

(21) Appl. No.: **29/650,751**

FIG. 1 shows a top perspective view of a pocket tool; FIG. 2 shows a bottom perspective view of the pocket tool; FIG. 3 shows a top perspective view of the pocket tool with the tools in the open position; FIG. 4 shows a bottom perspective view of the pocket tool with the tools in the open position; FIG. 5 shows top view of the pocket tool of FIG. 1; FIG. 6 shows top view of the pocket tool with the tools in the open position of FIG. 1; FIG. 7 shows the bottom view of the pocket tool of FIG. 1; FIG. 8 shows bottom view of the pocket tool with the tools in the open position of FIG. 1; FIG. 9 shows the upper end view of the pocket tool of FIG. 1; FIG. 10 shows the upper end view of the pocket tool with the tools in the open position of FIG. 1; FIG. 11 shows the lower end view of the pocket tool of FIG. 1; FIG. 12 shows the lower end view of the pocket tool with the tools in the open position of FIG. 1; FIG. 13 shows the right side view of the pocket tool of FIG. 1; FIG. 14 shows the right side view of the pocket tool with the tools in the open position of FIG. 1; FIG. 15 shows the left side view of the pocket tool of FIG. 1; and, FIG. 16 shows the left side view of the pocket tool with the tools in the open position of FIG. 1.

(22) Filed: **Jun. 8, 2018**

(51) **LOC (12) Cl.** **08-05**

(52) **U.S. Cl.**
USPC **D8/105**

(58) **Field of Classification Search**
USPC D8/105, 38, 55, 14-19, 21, 53, 100, 103, D8/26, 34, 87, 99, 356, 28; D3/210
CPC .. B25B 15/008; B25F 1/00; B25F 1/02; B25F 1/04; F16B 45/02
See application file for complete search history.

(56) **References Cited**

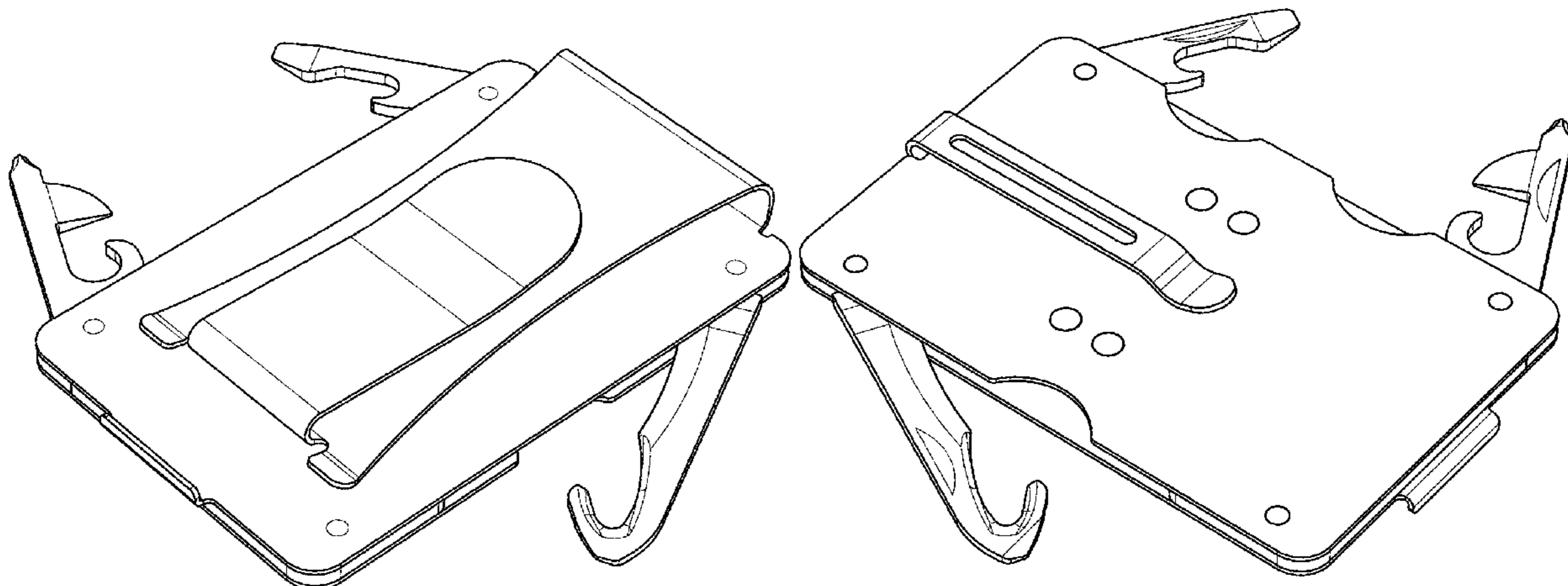
U.S. PATENT DOCUMENTS

D360,815 S *	8/1995	Padden	D8/105
D374,388 S *	10/1996	Padden	D8/105
6,044,967 A *	4/2000	Painsith	A45C 11/00 206/234
6,076,665 A *	6/2000	Chuang	A45D 29/20 206/214
D434,624 S *	12/2000	Padden	D8/105
D444,060 S *	6/2001	Elsener, Sr.	D9/418
6,460,698 B1 *	10/2002	Wang	B25F 1/02 206/234
D517,390 S *	3/2006	Cheng	D8/105
7,344,023 B2 *	3/2008	Painsith	A45D 29/20 206/234

(Continued)

Primary Examiner — Janice Hallmark

1 Claim, 6 Drawing Sheets



(56)

References Cited

U.S. PATENT DOCUMENTS

D710,179	S	*	8/2014	Thomas	D8/105
D765,487	S	*	9/2016	Barr	D8/99
D805,873	S	*	12/2017	Cetera	D8/105
D815,935	S	*	4/2018	Barak	D8/105
2002/0179463	A1	*	12/2002	Newman	A45C 11/00 206/234
2009/0199941	A1	*	8/2009	Toner	A45C 1/06 150/143

* cited by examiner

FIG. 1

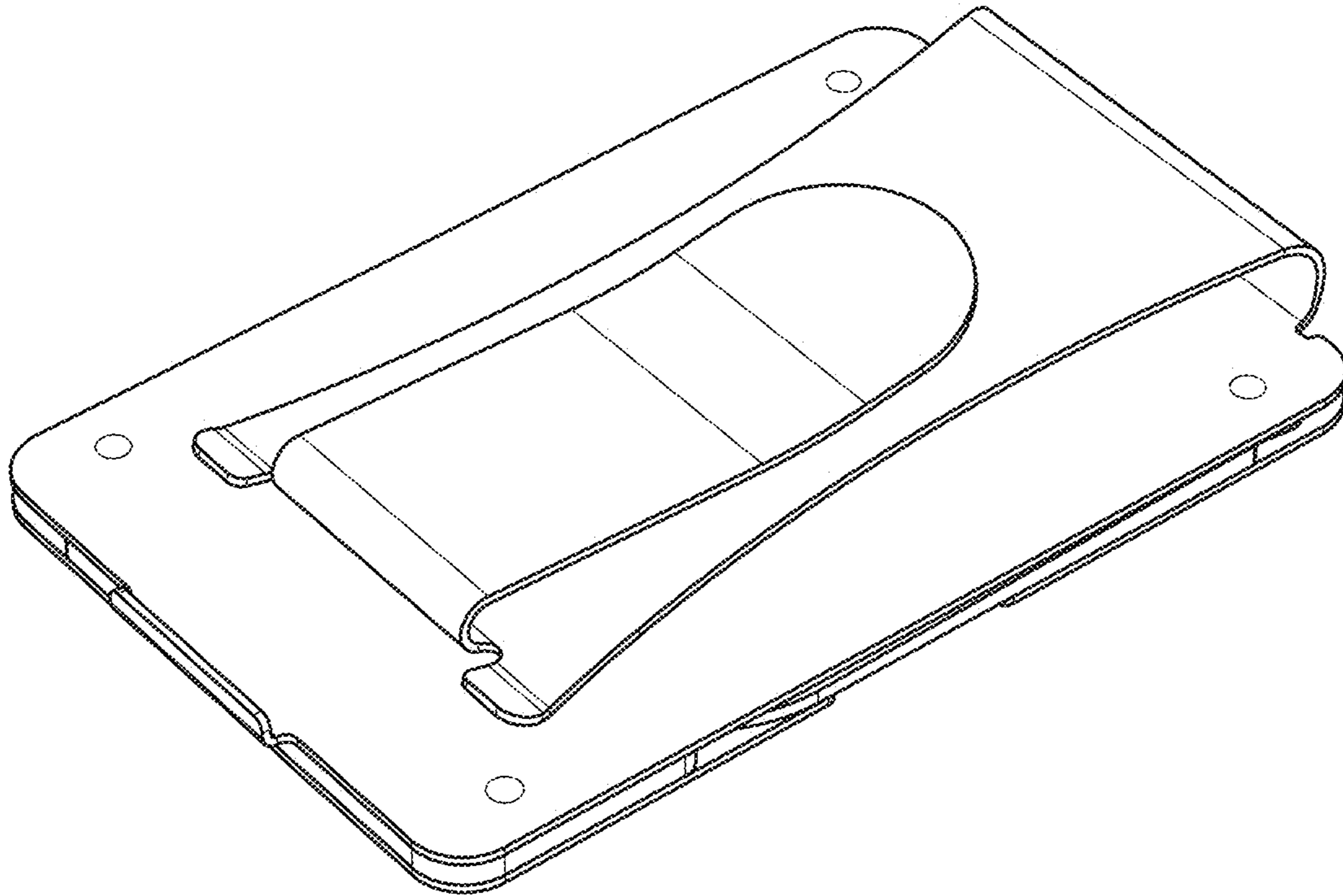


FIG. 2

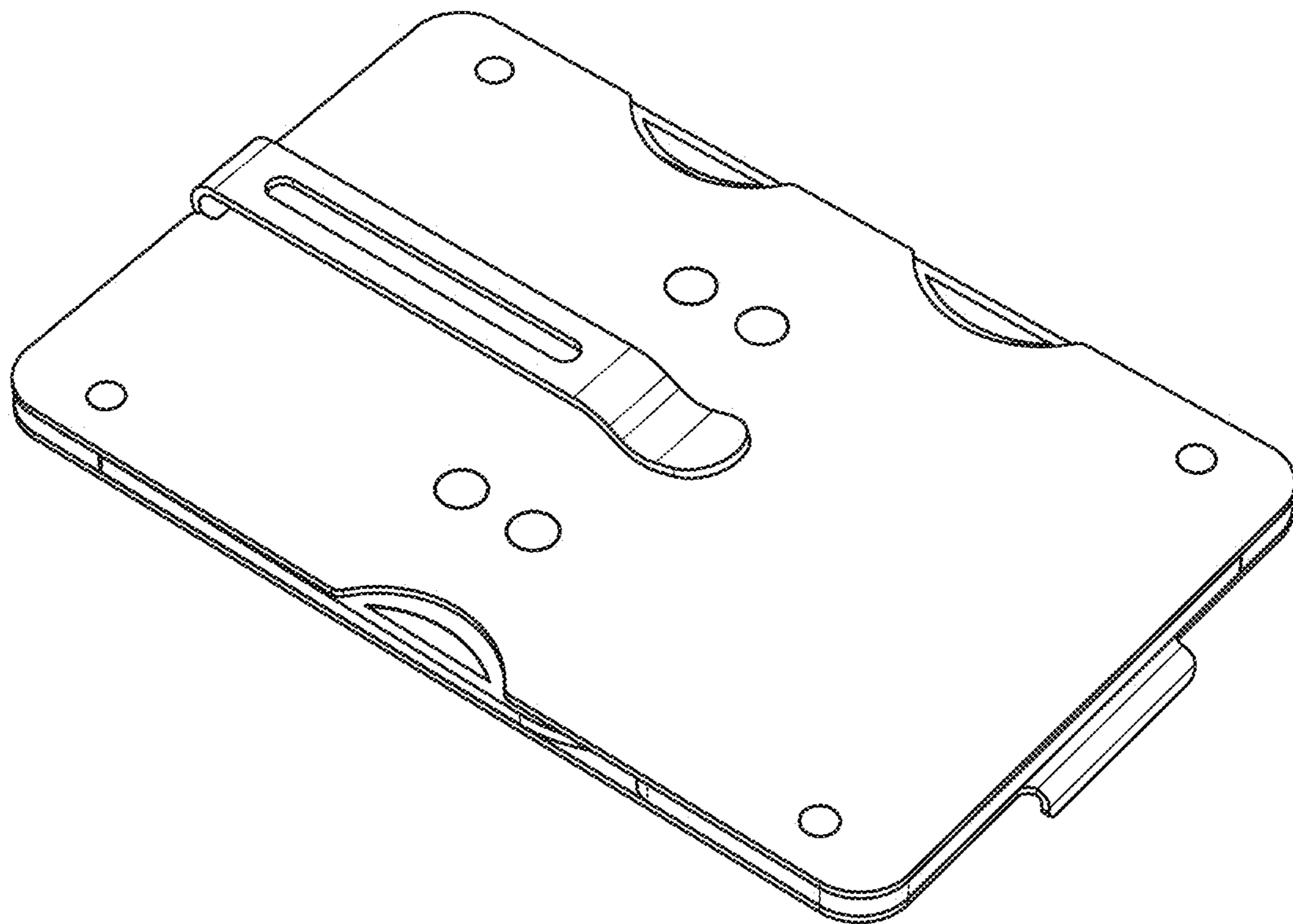


FIG. 3

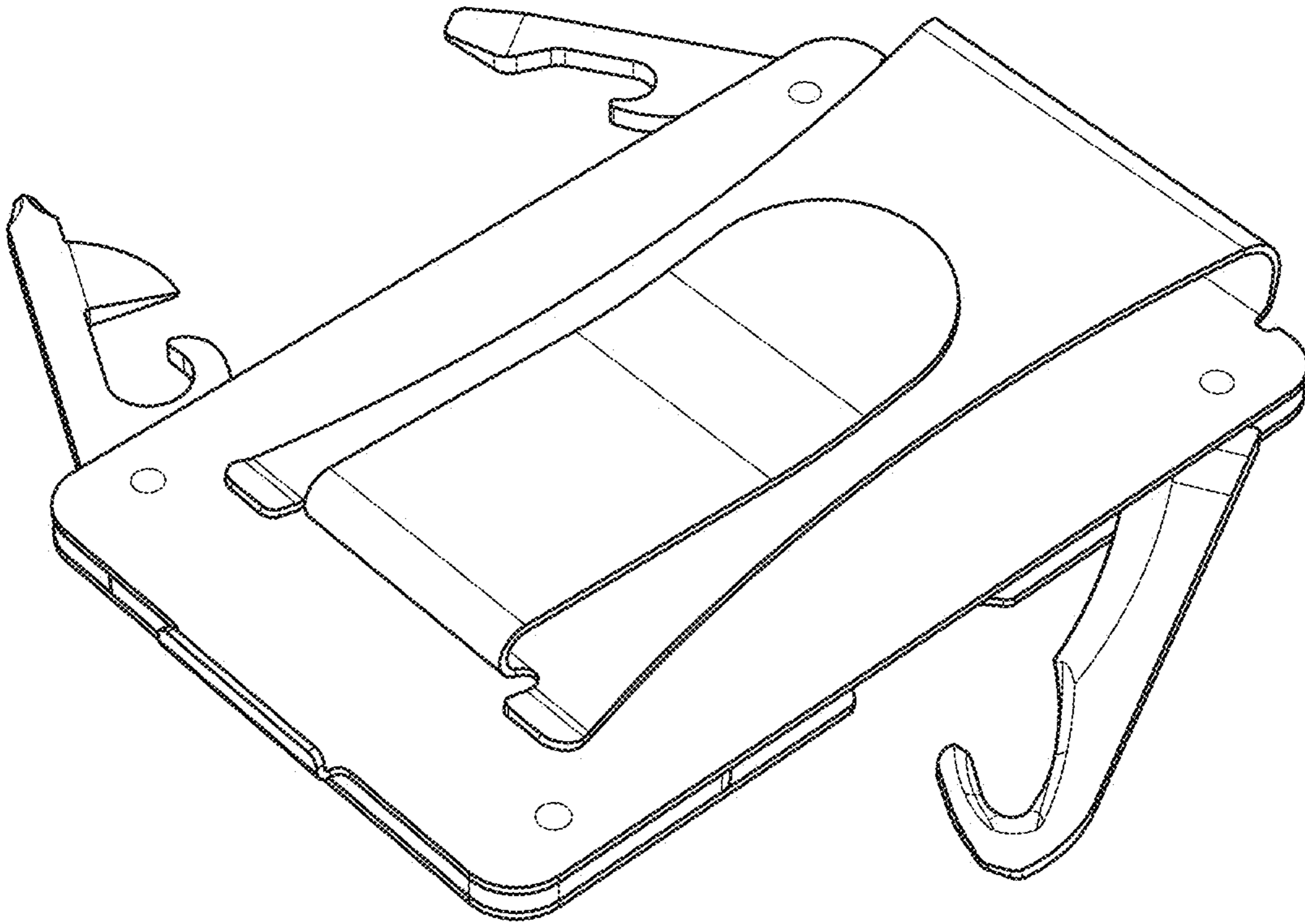


FIG. 4

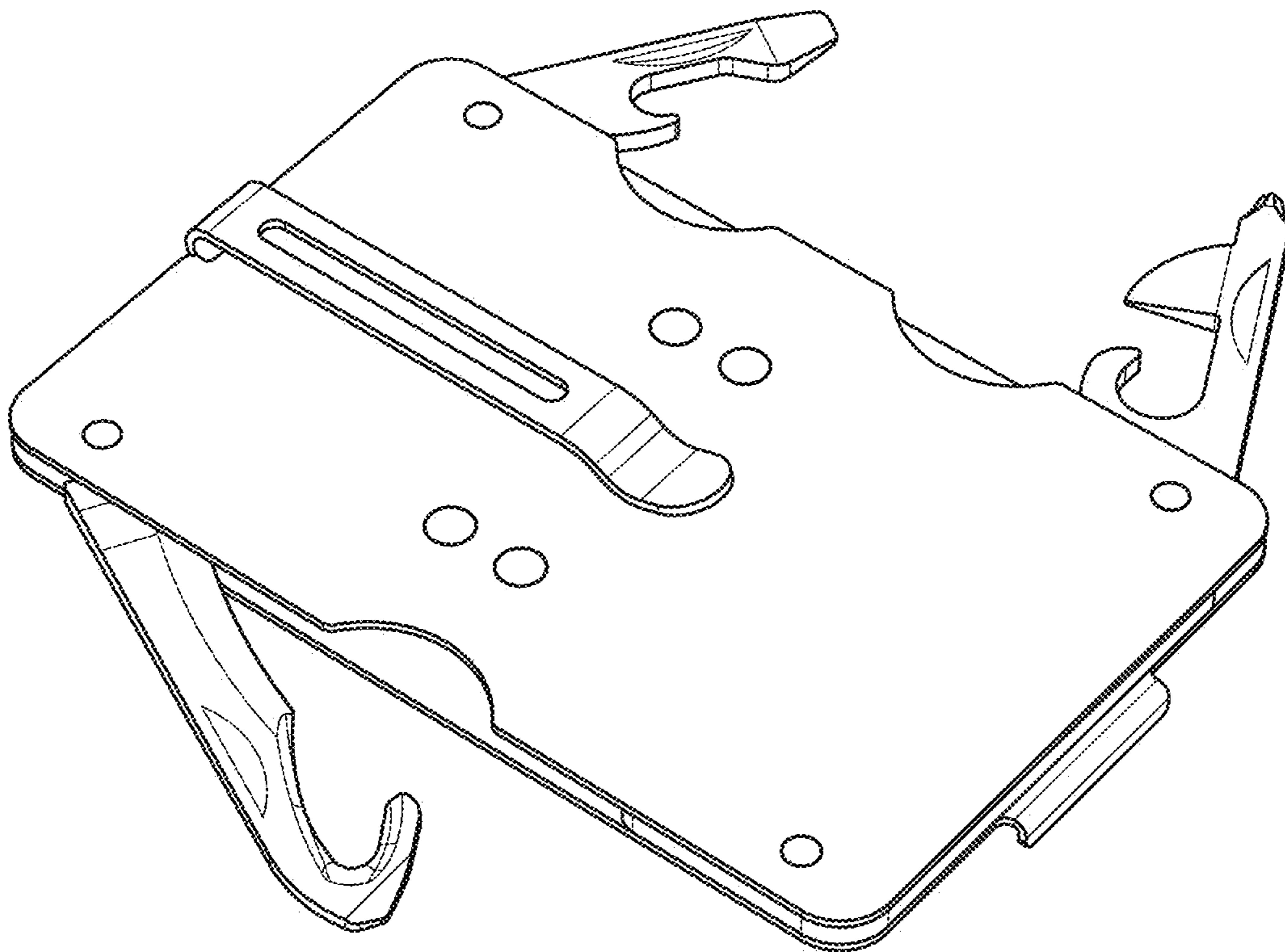


FIG. 5

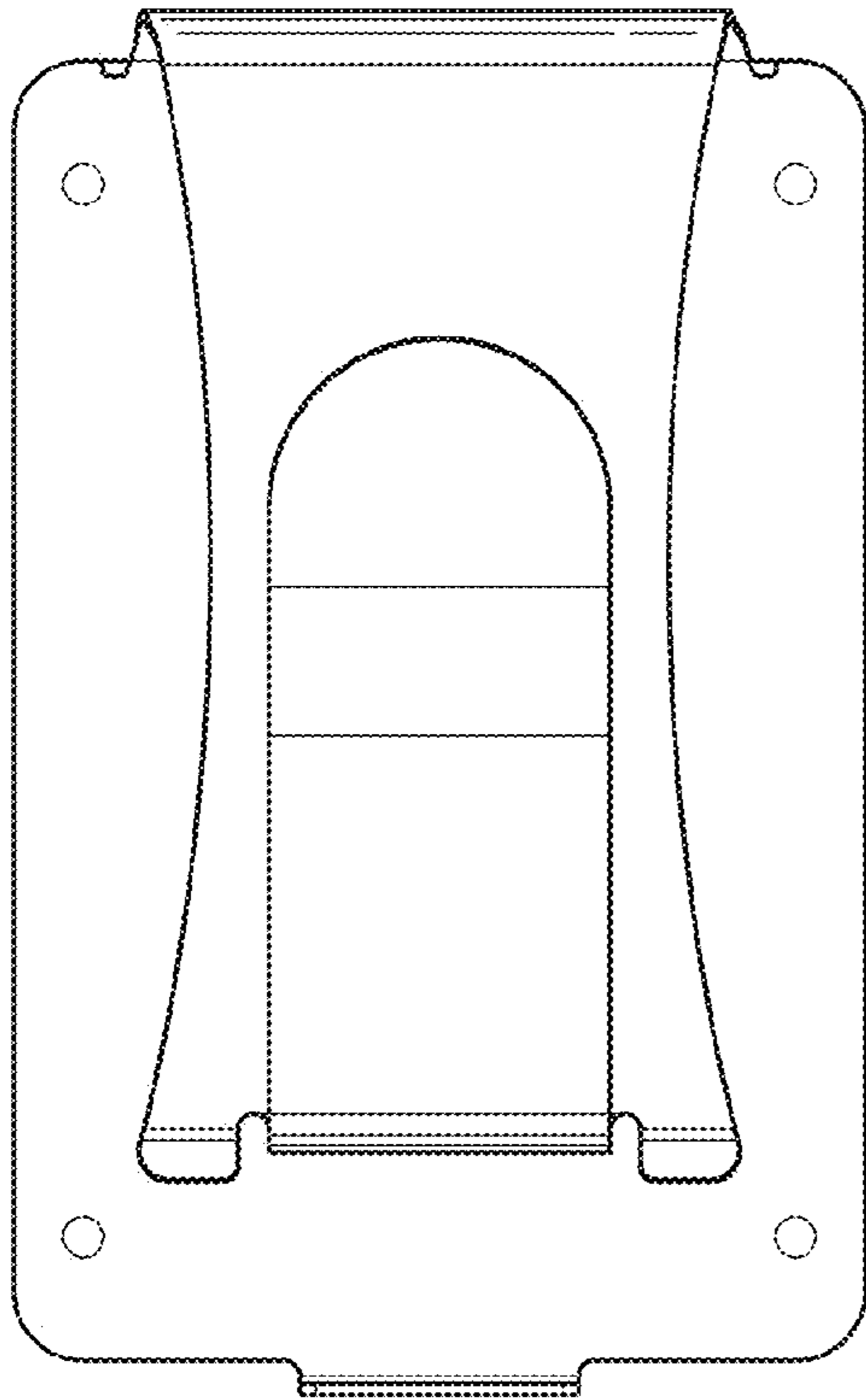


FIG. 6

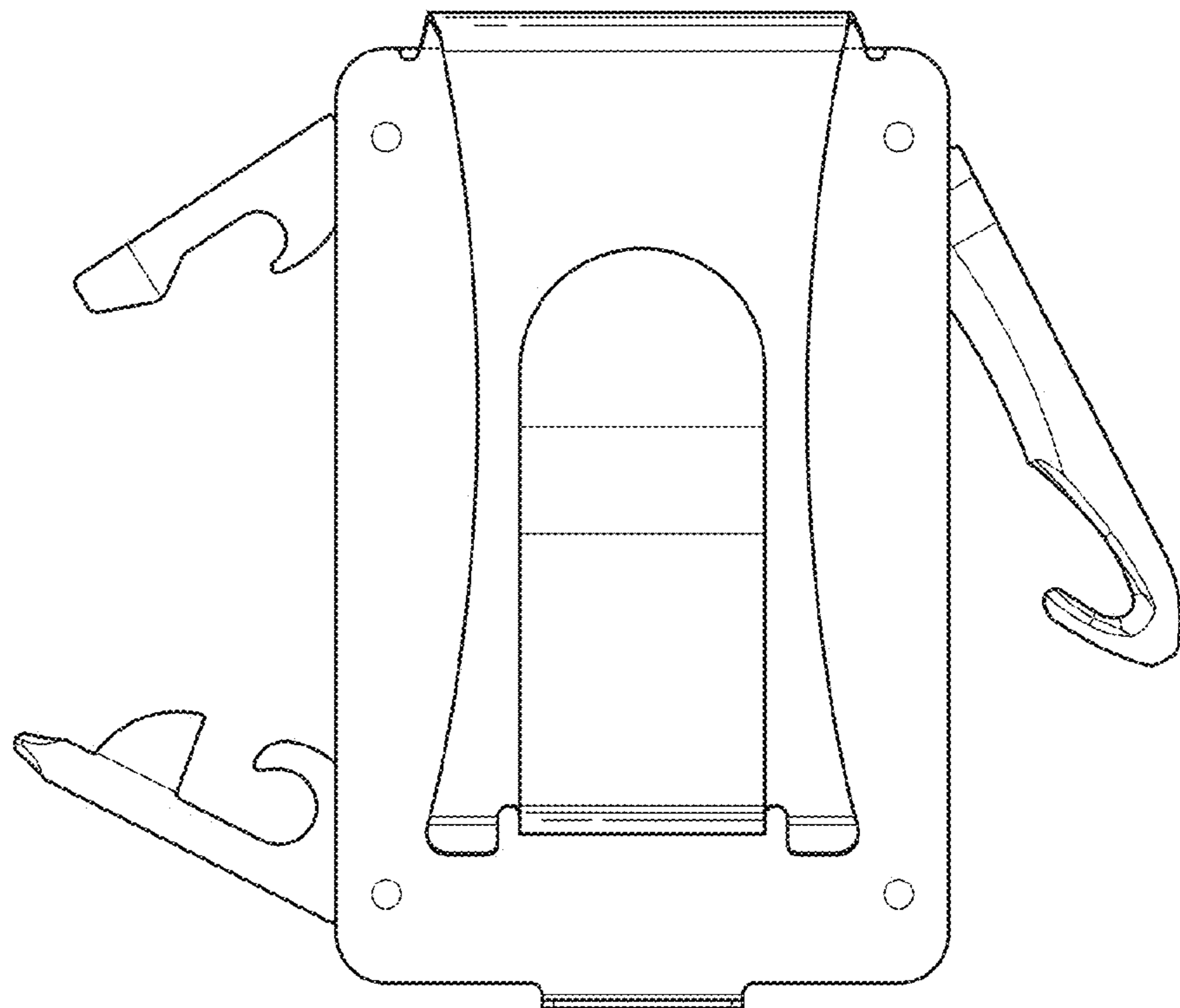


FIG. 7

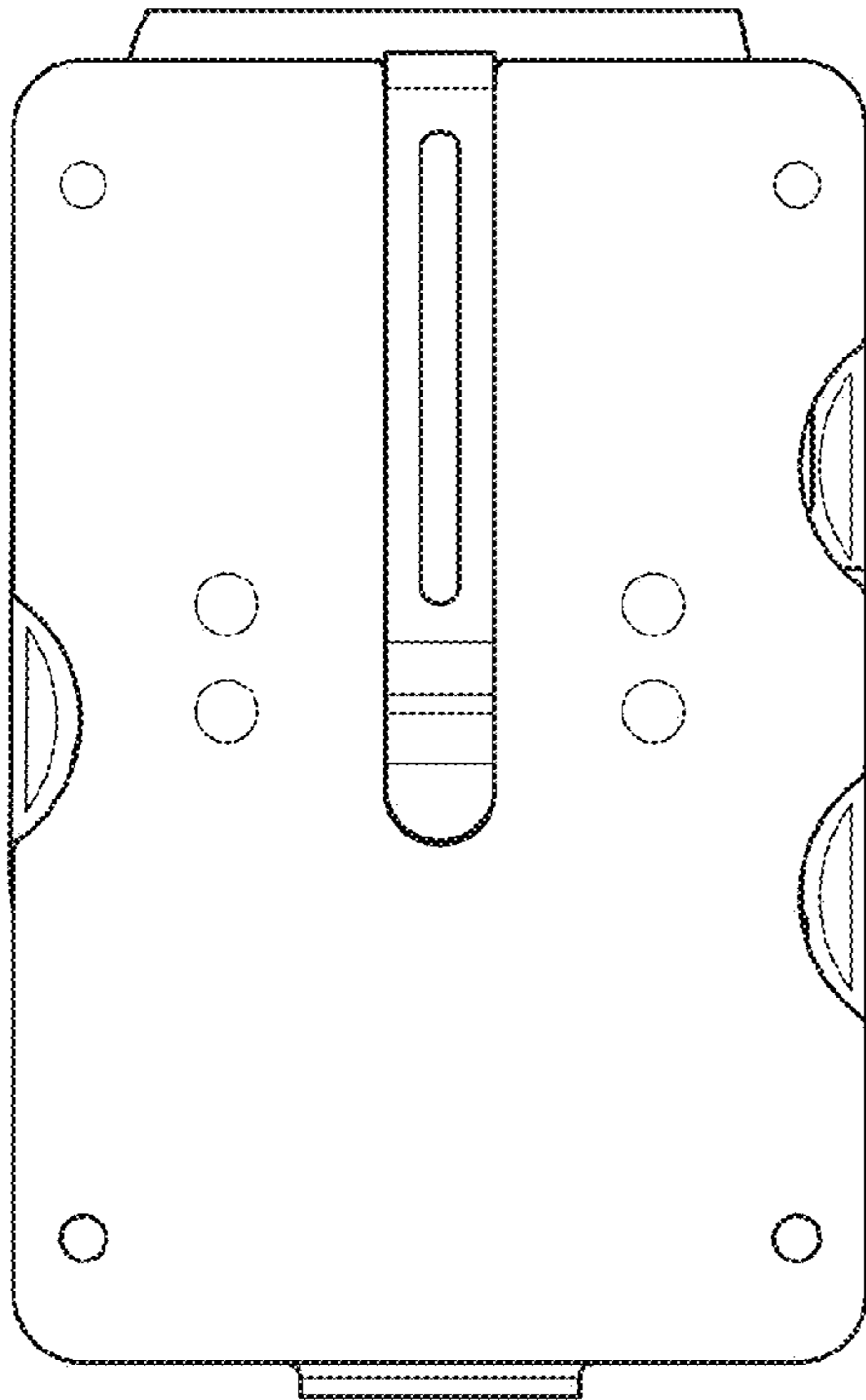


FIG. 8

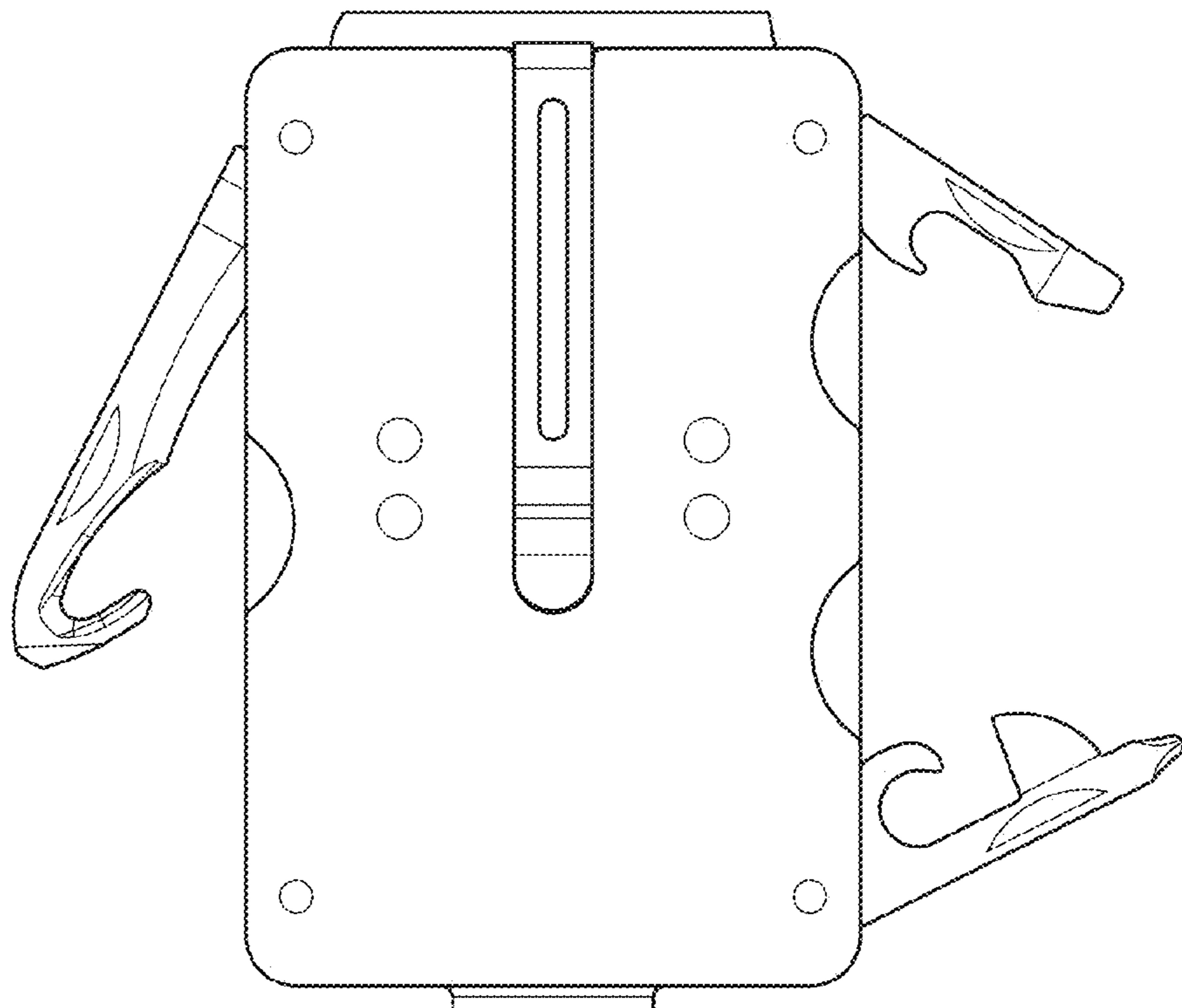


FIG. 9

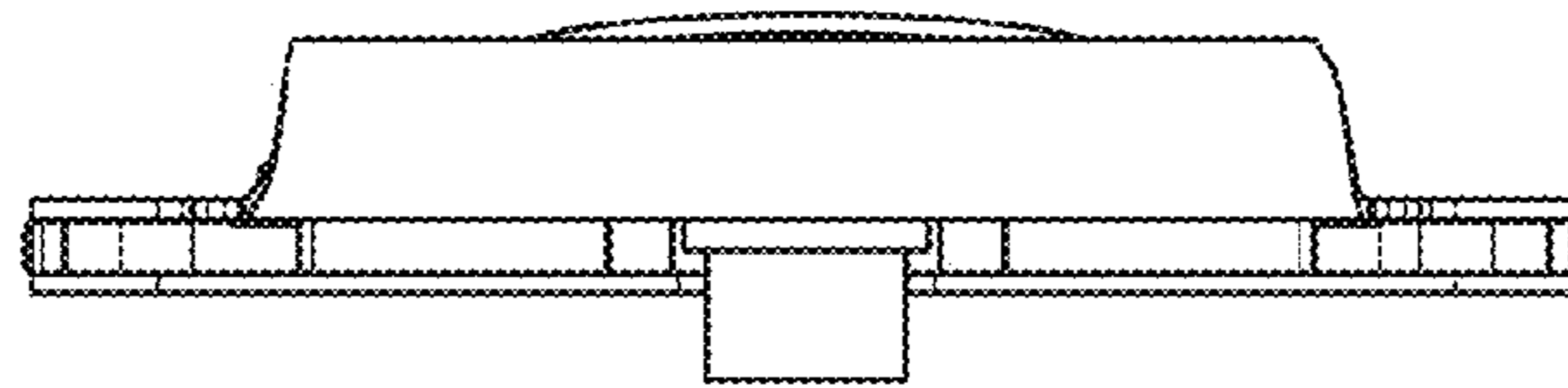


FIG. 10

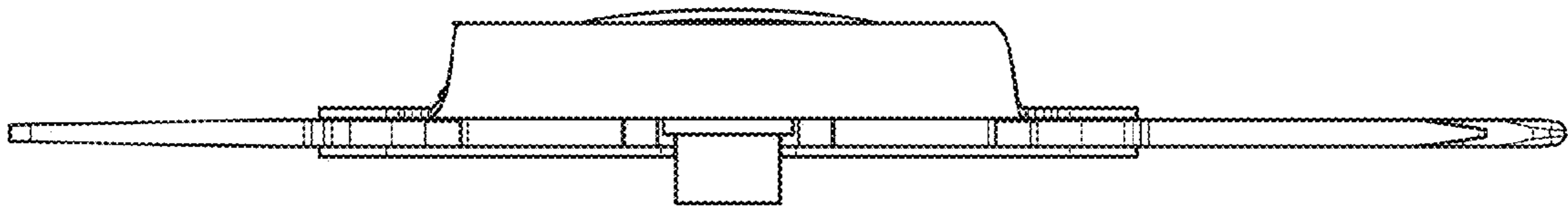


FIG. 11

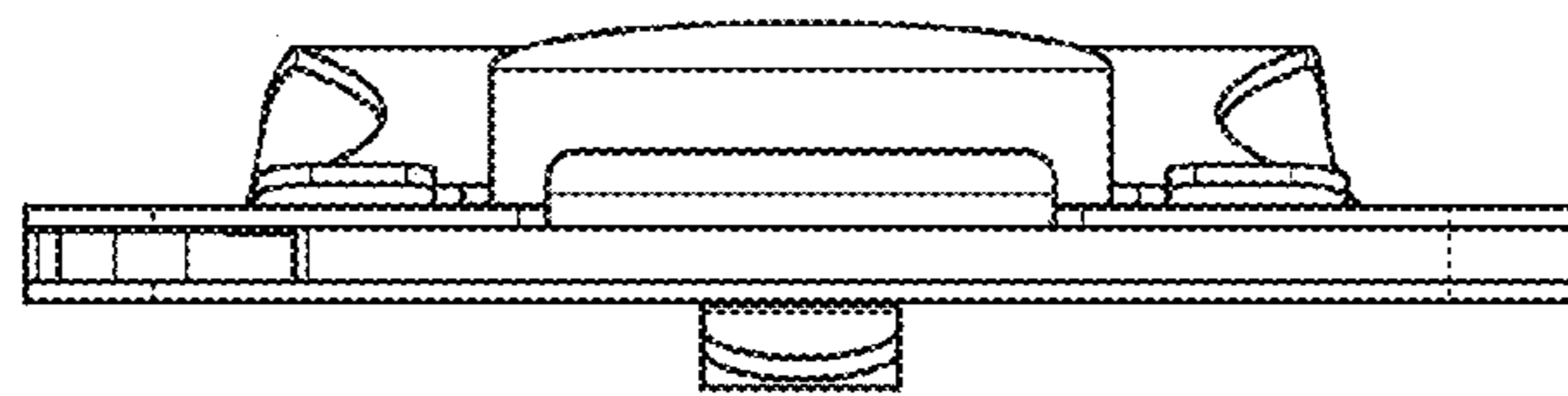


FIG. 12

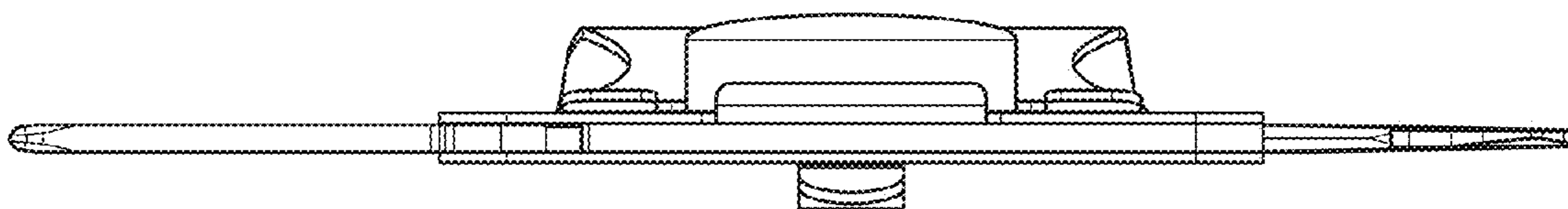


FIG. 13

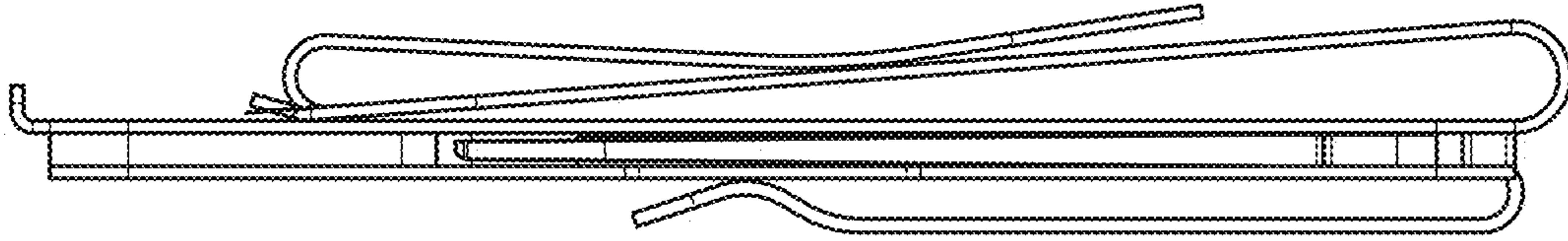


FIG. 14

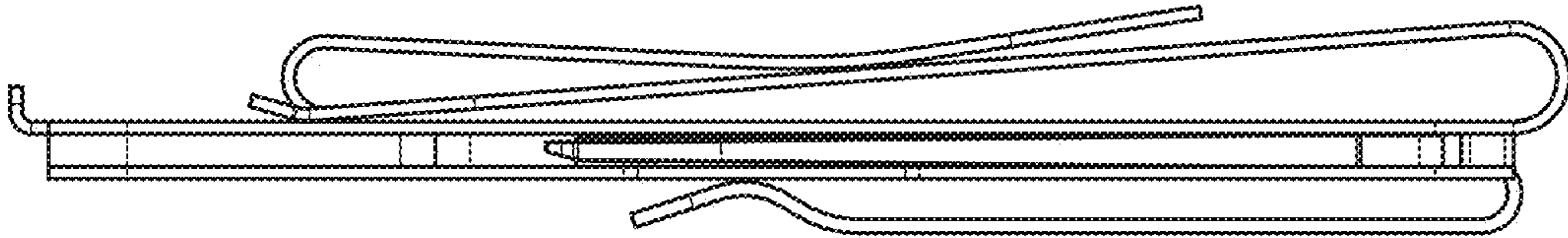


FIG. 15

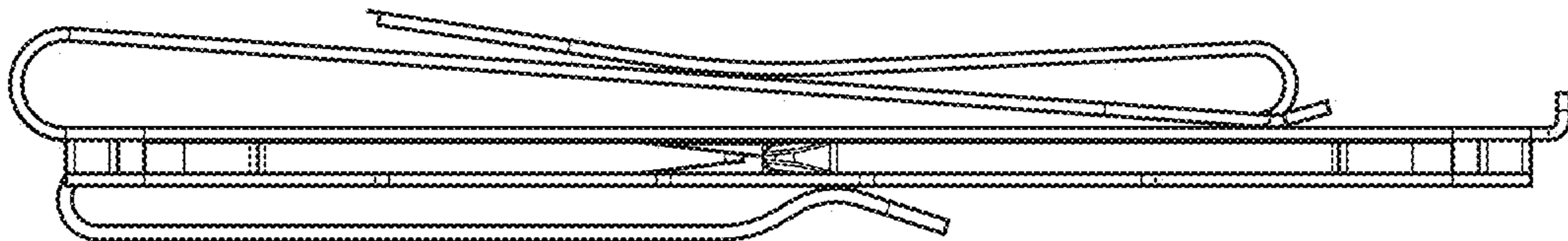


FIG. 16

