



US00D877593S

(12) **United States Design Patent**  
**Chalfant et al.**

(10) **Patent No.:** **US D877,593 S**  
(45) **Date of Patent:** **\*\* Mar. 10, 2020**

(54) **KNIFE SHARPENER**

FOREIGN PATENT DOCUMENTS

(71) Applicant: **Smith's Consumer Products, Inc.**, Hot Springs, AR (US)

CA 142214 4/2012  
EP 001915612-0001 11/2011

(72) Inventors: **Louis Chalfant**, Hot Springs, AR (US);  
**Ricky L. Dukes**, Knoxville, TN (US)

OTHER PUBLICATIONS

(73) Assignee: **Smith's Consumer Products, Inc.**, Hot Springs, AR (US)

Product Listing for "2-Step Knife Sharpener," <https://www.smithsproducts.com/2-step-knife-sharpener> (last accessed: Oct. 4, 2018).

(\*\*) Term: **15 Years**

\* cited by examiner

(21) Appl. No.: **29/667,924**

*Primary Examiner* — Philip S Hyder

(22) Filed: **Oct. 25, 2018**

(74) *Attorney, Agent, or Firm* — Richard Blakely  
Glasgow

(51) **LOC (12) Cl.** ..... **08-05**

(57) **CLAIM**

(52) **U.S. Cl.**

The ornamental design for an knife sharpener, as shown.

USPC ..... **D8/93**

**DESCRIPTION**

(58) **Field of Classification Search**

USPC ..... D8/90, 91, 92, 93

CPC .... B24B 3/36; B24B 3/58; B24B 3/00; B24B 3/48; B24B 3/50; B24B 3/54

See application file for complete search history.

FIG. 1 is a perspective view of an embodiment of the present invention.

FIG. 2 is a front view of an embodiment of the present invention.

FIG. 3 is a left side view of an embodiment of the present invention.

FIG. 4 is a back view of an embodiment of the present invention.

FIG. 5 is a right side view of an embodiment of the present invention.

FIG. 6 is a top view of an embodiment of the present invention; and,

FIG. 7 is a bottom view of an embodiment of the present invention.

The broken lines shown in the drawings indicate structure and features which form no part of the claimed design.

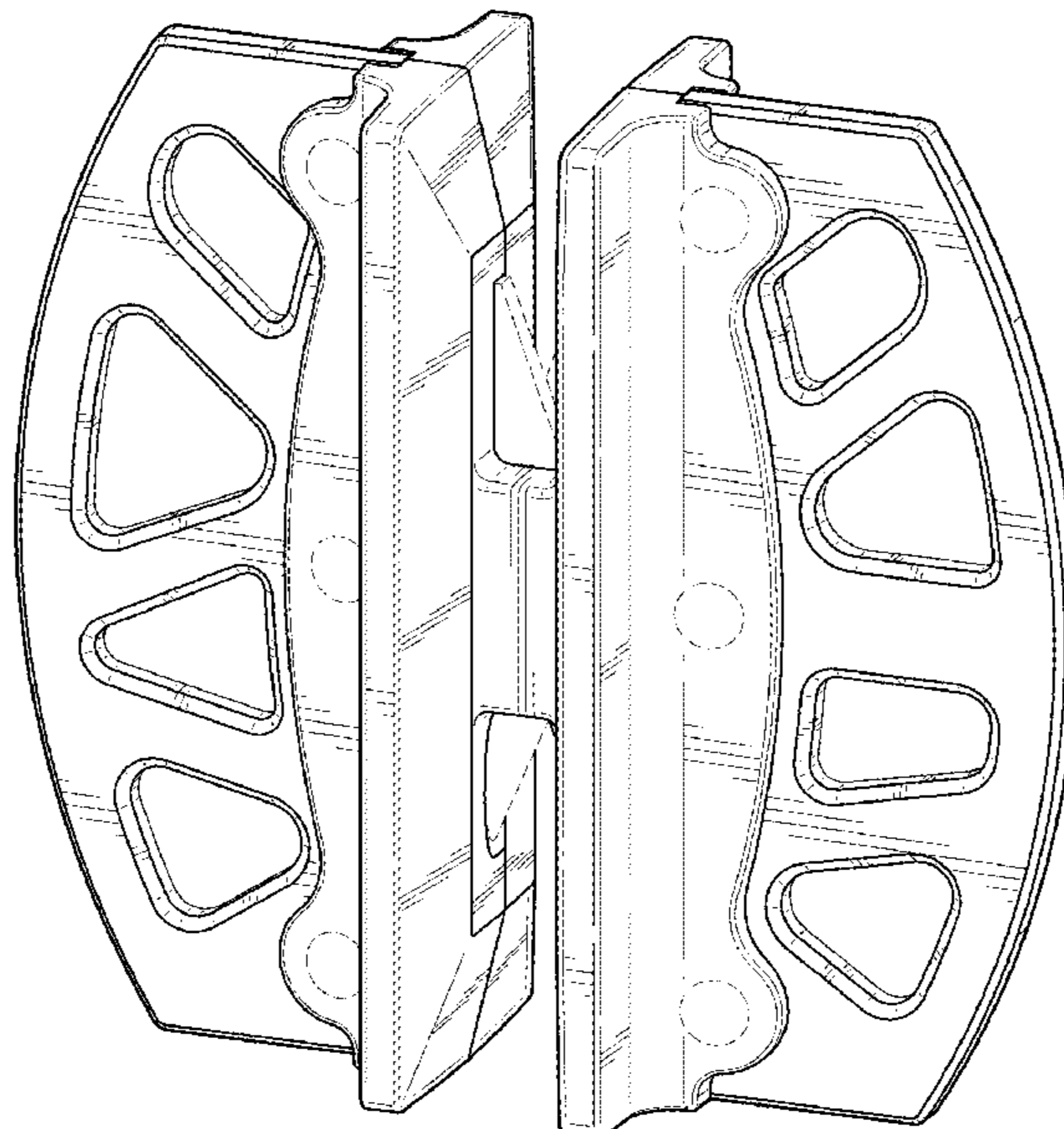
The invention pertains to an ornamental design for an article of manufacture, which can be scaled to different sizes.

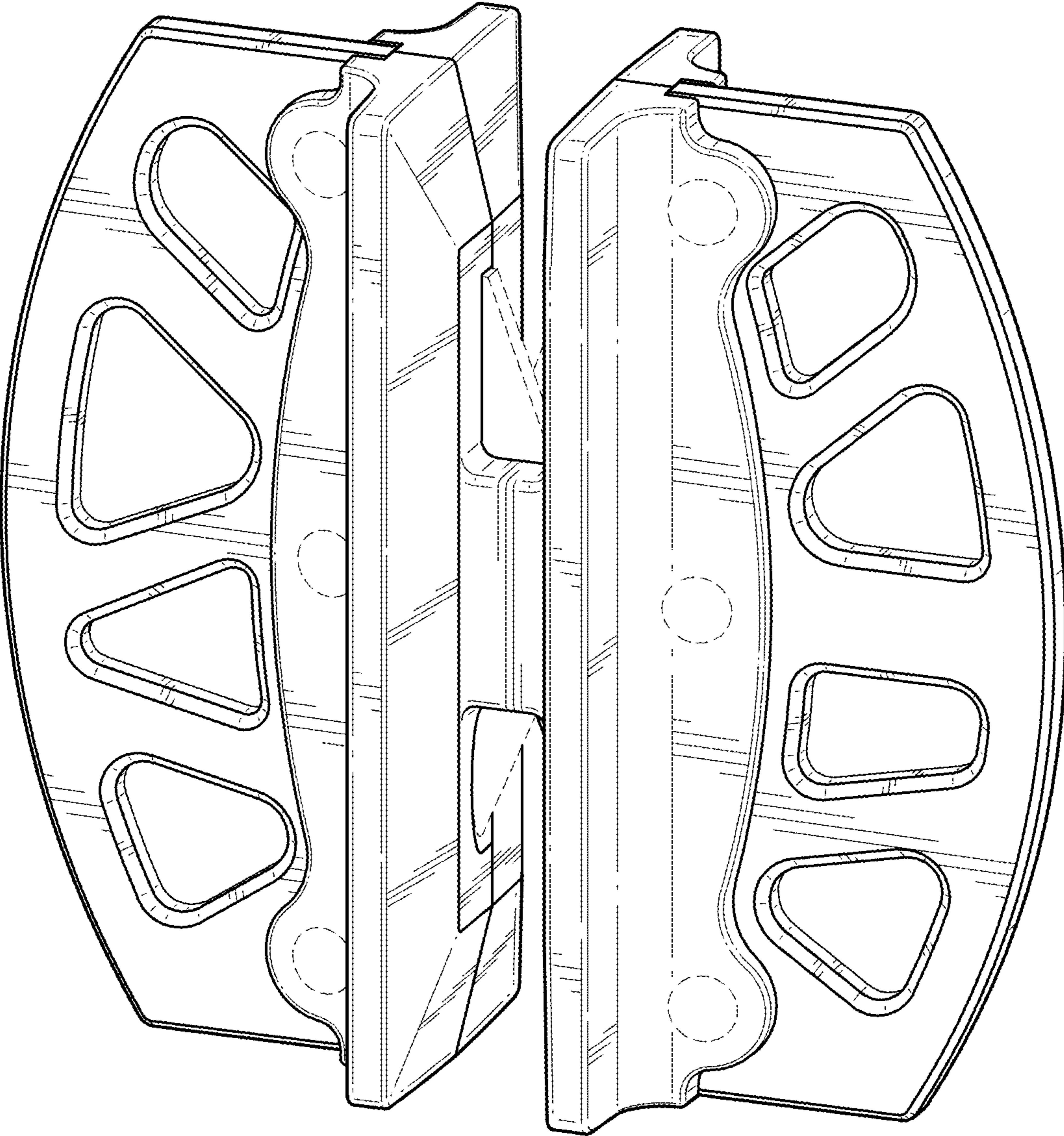
(56) **References Cited**

U.S. PATENT DOCUMENTS

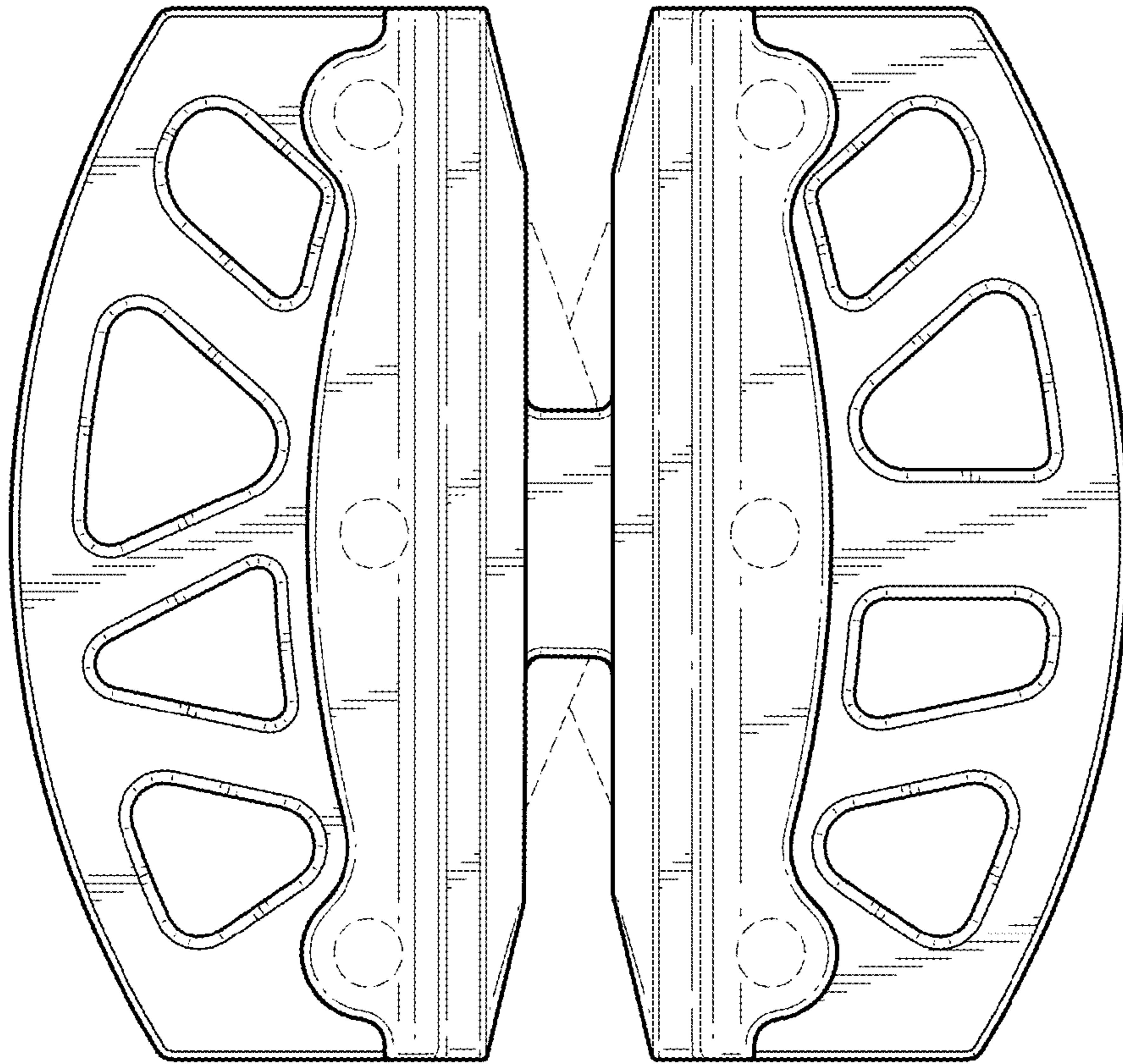
D276,884 S *	12/1984	Carter	.....	D8/91
D277,166 S *	1/1985	Call	.....	D8/91
4,494,340 A *	1/1985	Carter	.....	B24D 15/081 451/555
D304,153 S *	10/1989	Reichow	.....	D8/93
D499,004 S	11/2004	Smith		
D575,130 S	8/2008	Smith		
D654,342 S *	2/2012	Cavanaugh, Jr.	.....	D8/93
D680,845 S	4/2013	Smith		
D760,573 S *	7/2016	Wang	.....	D8/91
D863,822 S *	10/2019	Chen	.....	D6/601
D863,921 S *	10/2019	Chalfant	.....	D8/93
D867,096 S *	11/2019	Chalfant	.....	D8/93

**1 Claim, 4 Drawing Sheets**

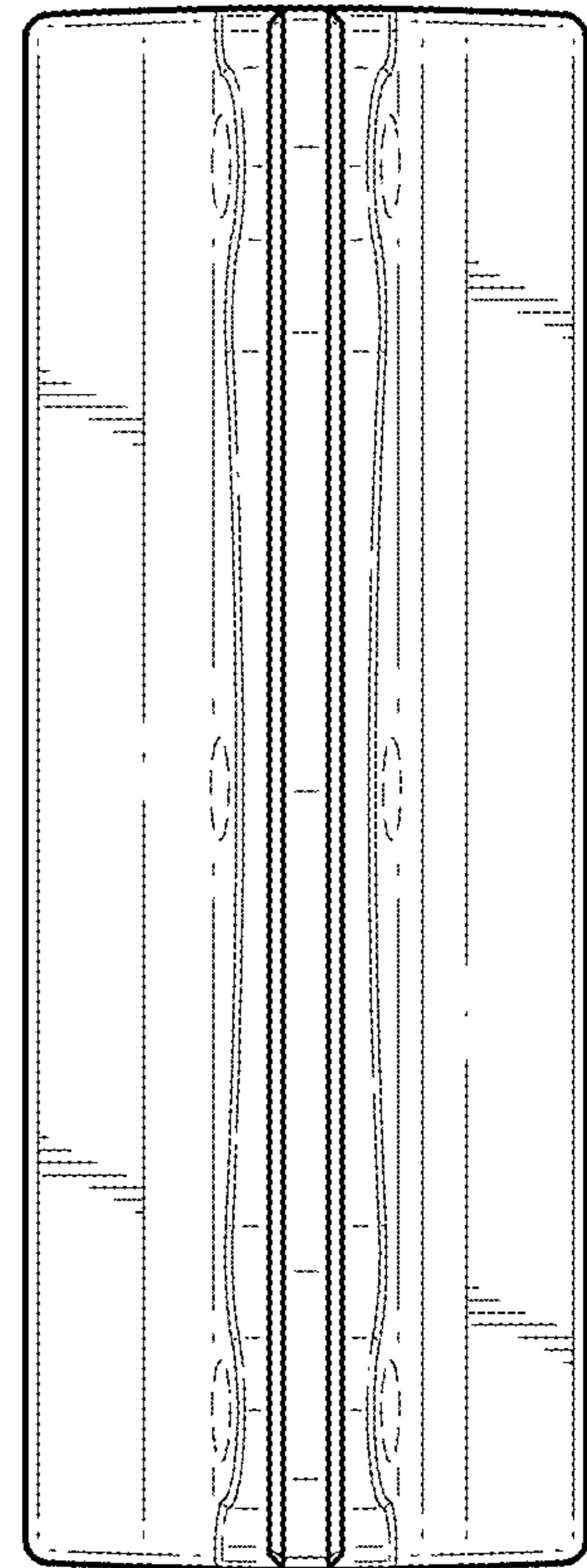




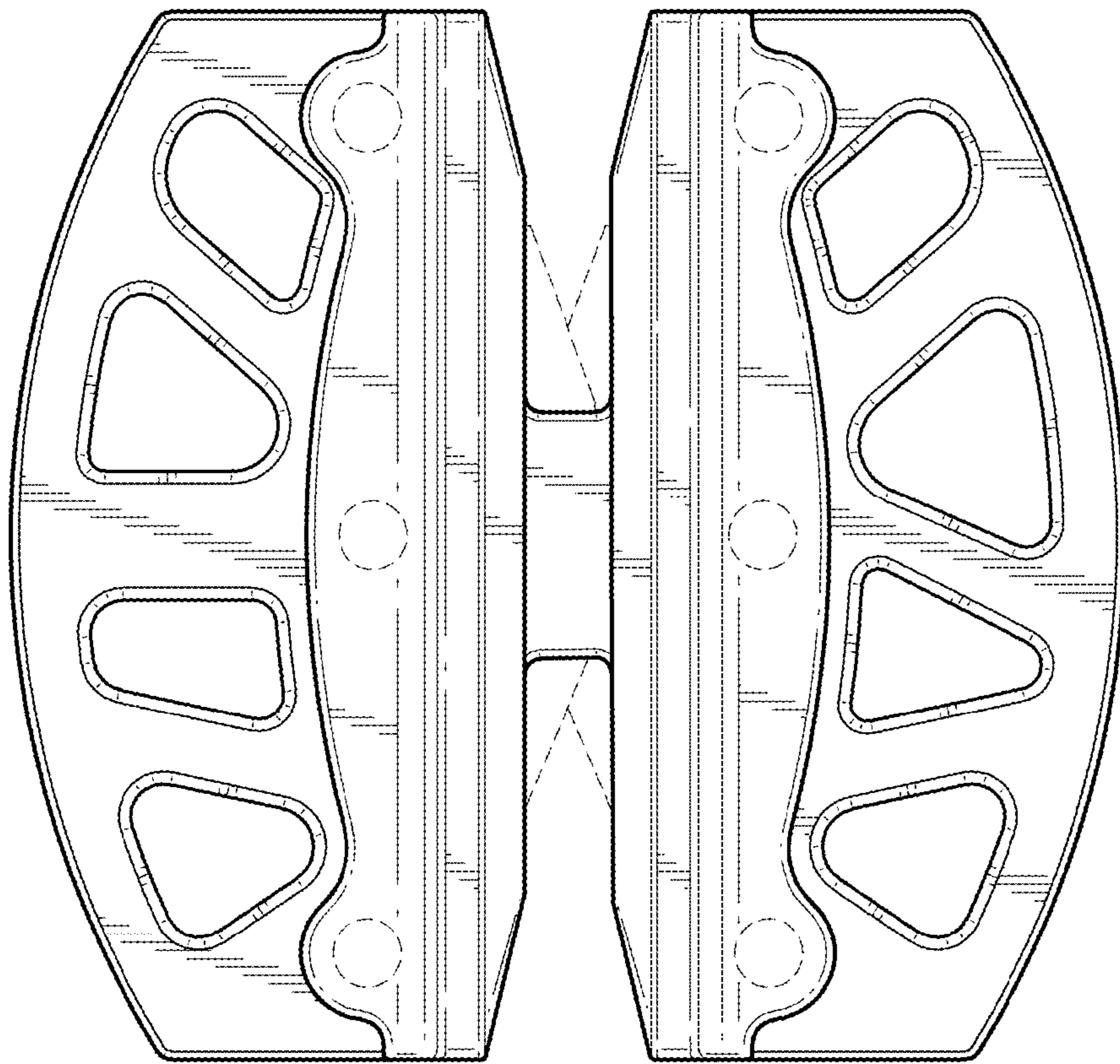
**FIG. 1**



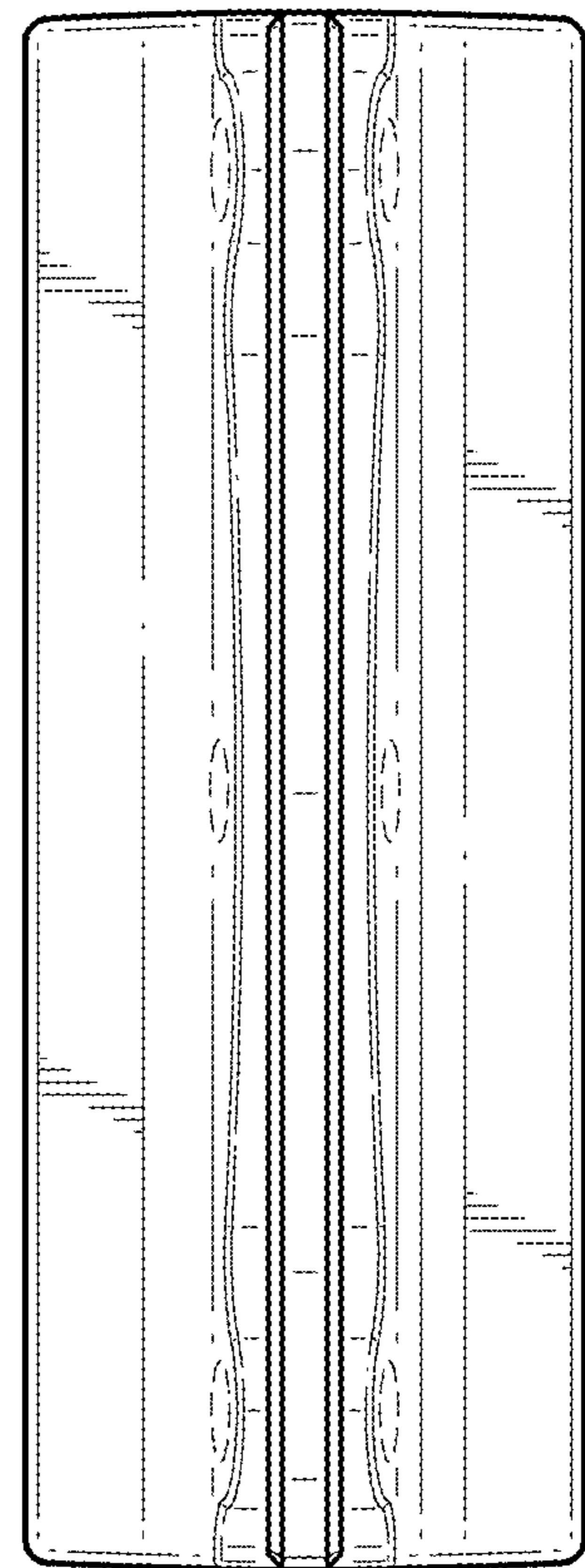
**FIG. 2**



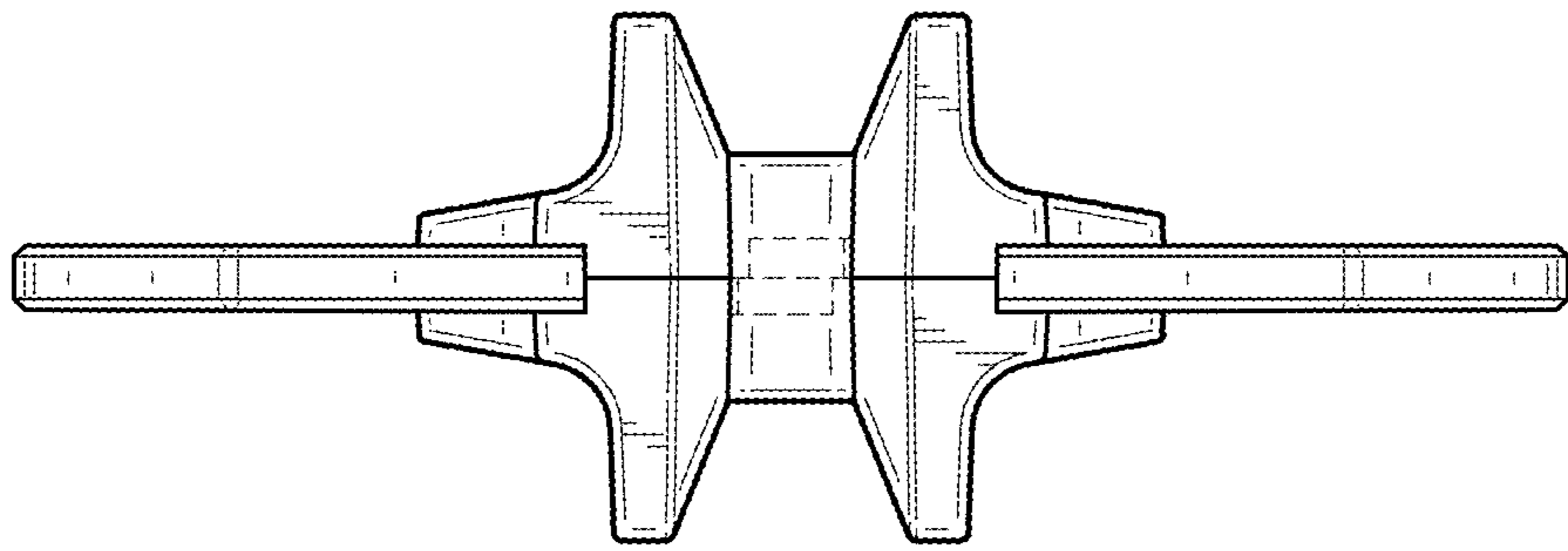
**FIG. 3**



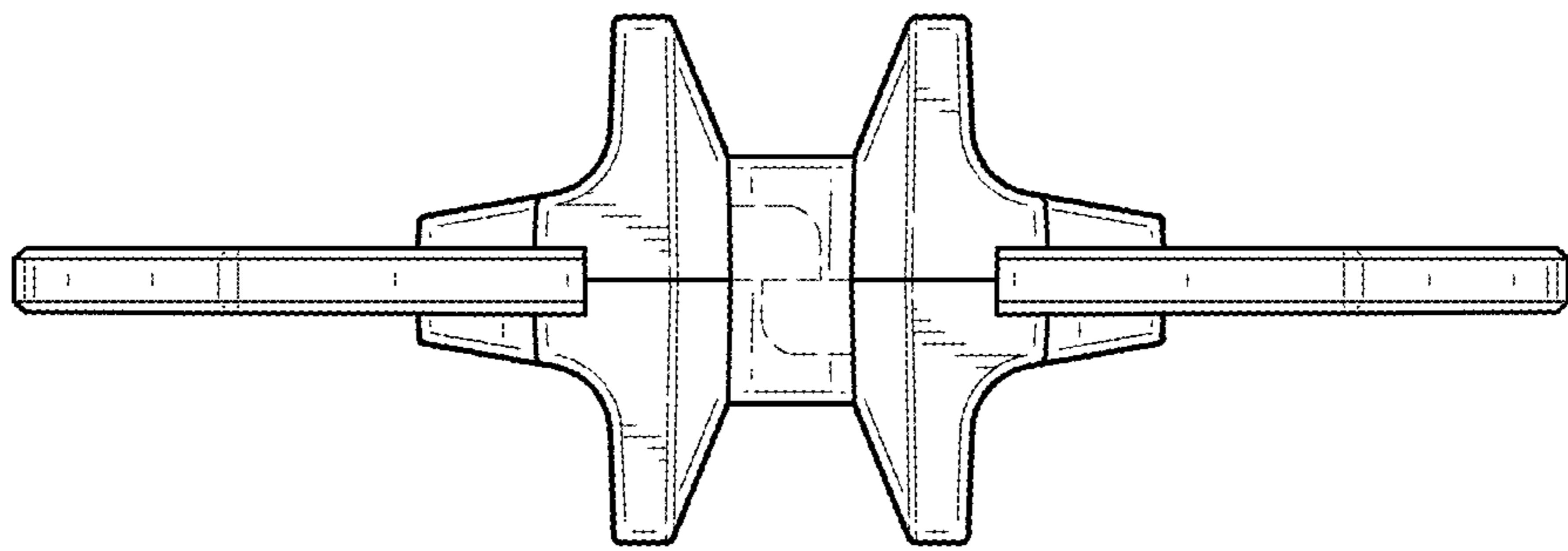
**FIG. 4**



**FIG. 5**



**FIG. 6**



**FIG. 7**