

US00D877588S

(12) **United States Design Patent**  
**Hill**

(10) **Patent No.:** **US D877,588 S**

(45) **Date of Patent:** **\*\* Mar. 10, 2020**

(54) **SANDER**

(71) Applicant: **BLACK & DECKER INC.**, New Britain, CT (US)

(72) Inventor: **Jesse P. Hill**, Baltimore, MD (US)

(73) Assignee: **Black & Decker Inc.**, New Britain, CT (US)

(\*\*) Term: **15 Years**

(21) Appl. No.: **29/644,376**

(22) Filed: **Apr. 17, 2018**

(51) **LOC (12) Cl.** ..... **08-03**

(52) **U.S. Cl.**  
USPC ..... **D8/62**

(58) **Field of Classification Search**  
USPC .... D8/69, 68, 67, 66, 64, 61, 70; 83/698.41,  
83/747, 166.3, 374, 373, 375, 376, 391,  
83/377, 390, 388, 389; 125/13.01;  
144/218; D21/532  
CPC ..... B24B 23/028; B24B 47/12; B24B 7/186;  
B25F 5/001; B25F 5/02  
See application file for complete search history.

(56) **References Cited**

**U.S. PATENT DOCUMENTS**

D559,640 S *	1/2008	Kraus	.....	D8/62
D567,047 S *	4/2008	Okuda	.....	D8/62
D609,071 S *	2/2010	Yamamoto	.....	D8/62
D621,676 S *	8/2010	Baxter	.....	D8/62
D632,939 S *	2/2011	Misaki	.....	D8/62
D644,080 S *	8/2011	Misaki	.....	D8/62
D650,651 S *	12/2011	Misaki	.....	D8/62

D677,541 S *	3/2013	Waldron	.....	D8/62
D718,998 S *	12/2014	Tirone	.....	D8/62
D831,458 S *	10/2018	Itoh	.....	D8/62
2015/0209949 A1	7/2015	Milbourne et al.		

**OTHER PUBLICATIONS**

Pictures of prior art of Black + Decker ¼ Sheet Orbital Sander with Paddle Switch Actuation Model No. BDEQS300—<https://www.blackanddecker.com/en-us/products/power-tools/portable-power-tools/sanders/14-sheet-orbital-sander-with-paddle-switch-actuation/bdeqs300>—accessed on Aug. 28, 2018.

\* cited by examiner

*Primary Examiner* — Austin Murphy

(74) *Attorney, Agent, or Firm* — Stephen R. Valancius

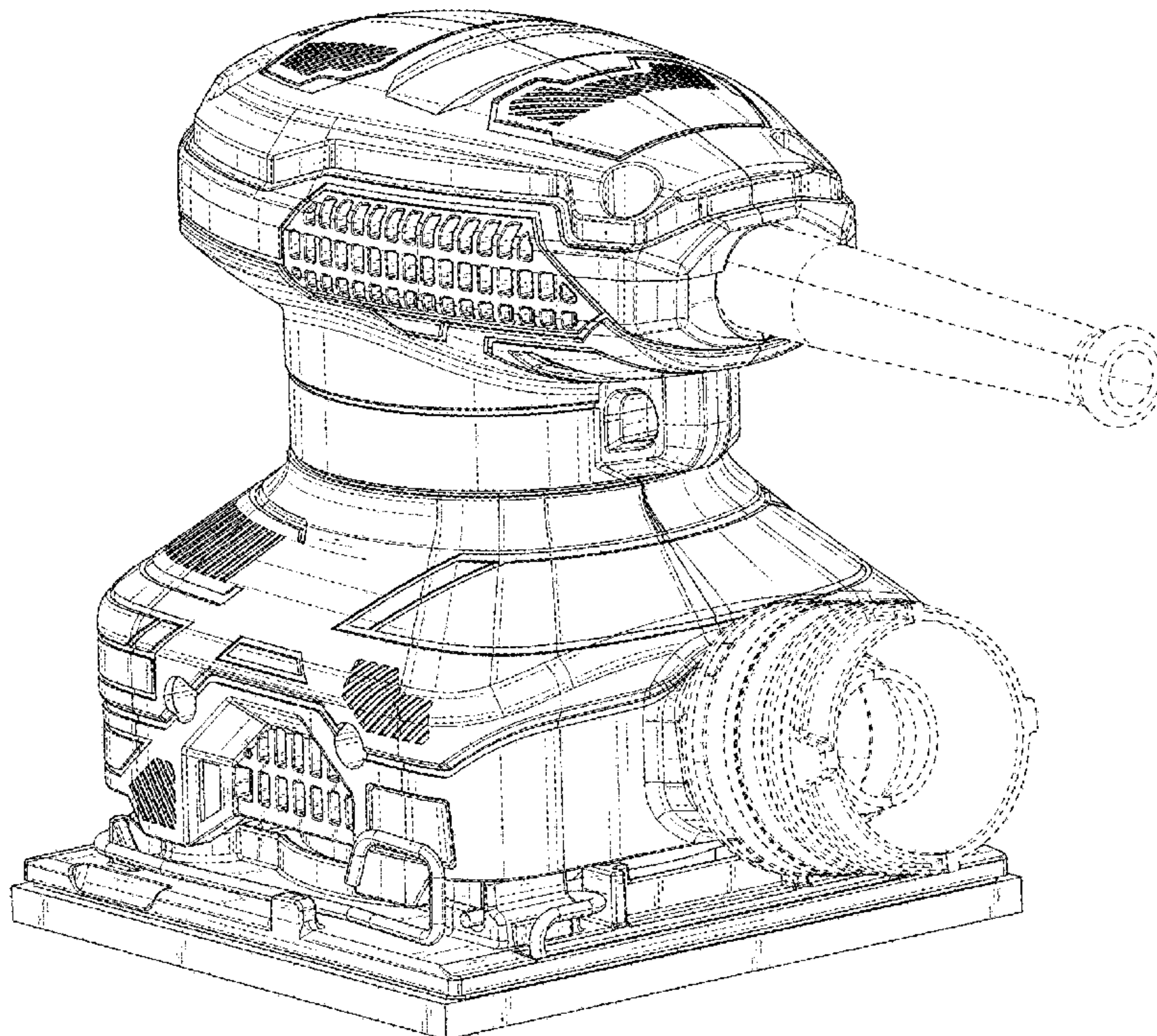
(57) **CLAIM**

The ornamental design for a sander, as shown and described.

**DESCRIPTION**

FIG. 1 is a front perspective view of a sander showing my new design;  
FIG. 2 is a rear perspective view of a sander showing my new design;  
FIG. 3 is a front view thereof  
FIG. 4 is a rear view thereof;  
FIG. 5 is a right side view thereof;  
FIG. 6 is a left side view thereof;  
FIG. 7 is a top plan view thereof; and,  
FIG. 8 is a bottom plan view thereof.  
In the above drawings, the broken lines and the areas within the broken lines form no part of the claimed design.

**1 Claim, 8 Drawing Sheets**





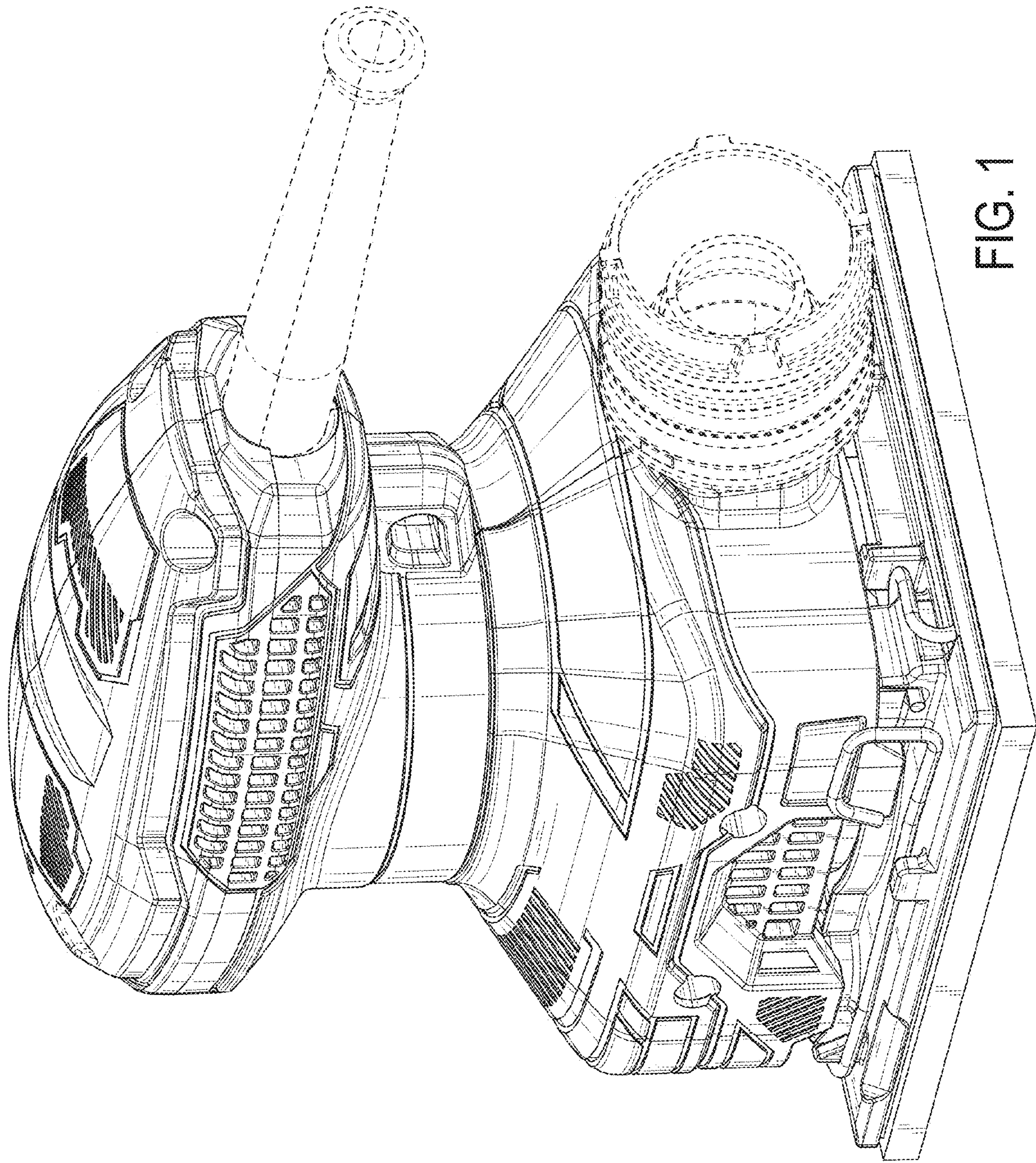


FIG. 1



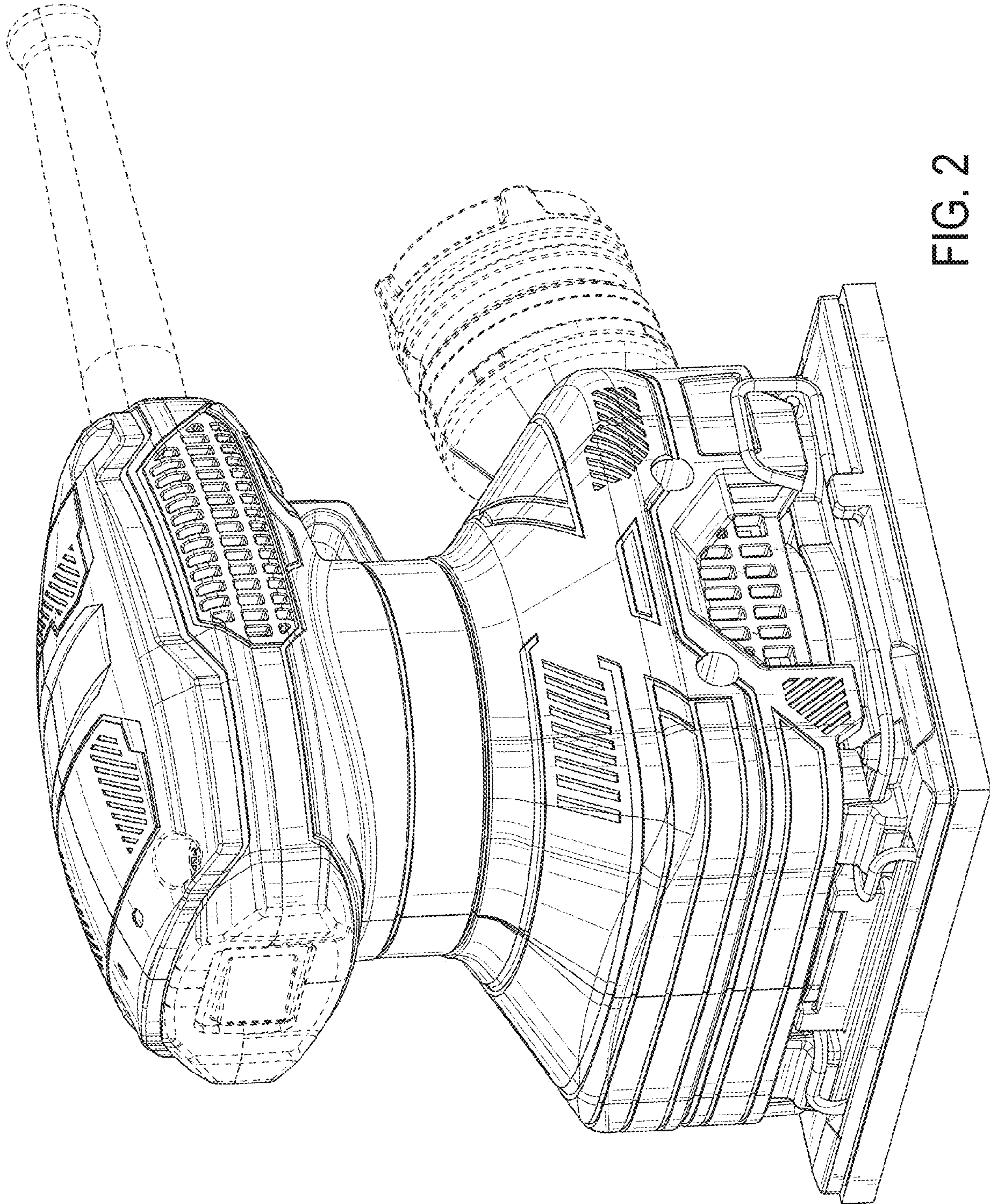


FIG. 2



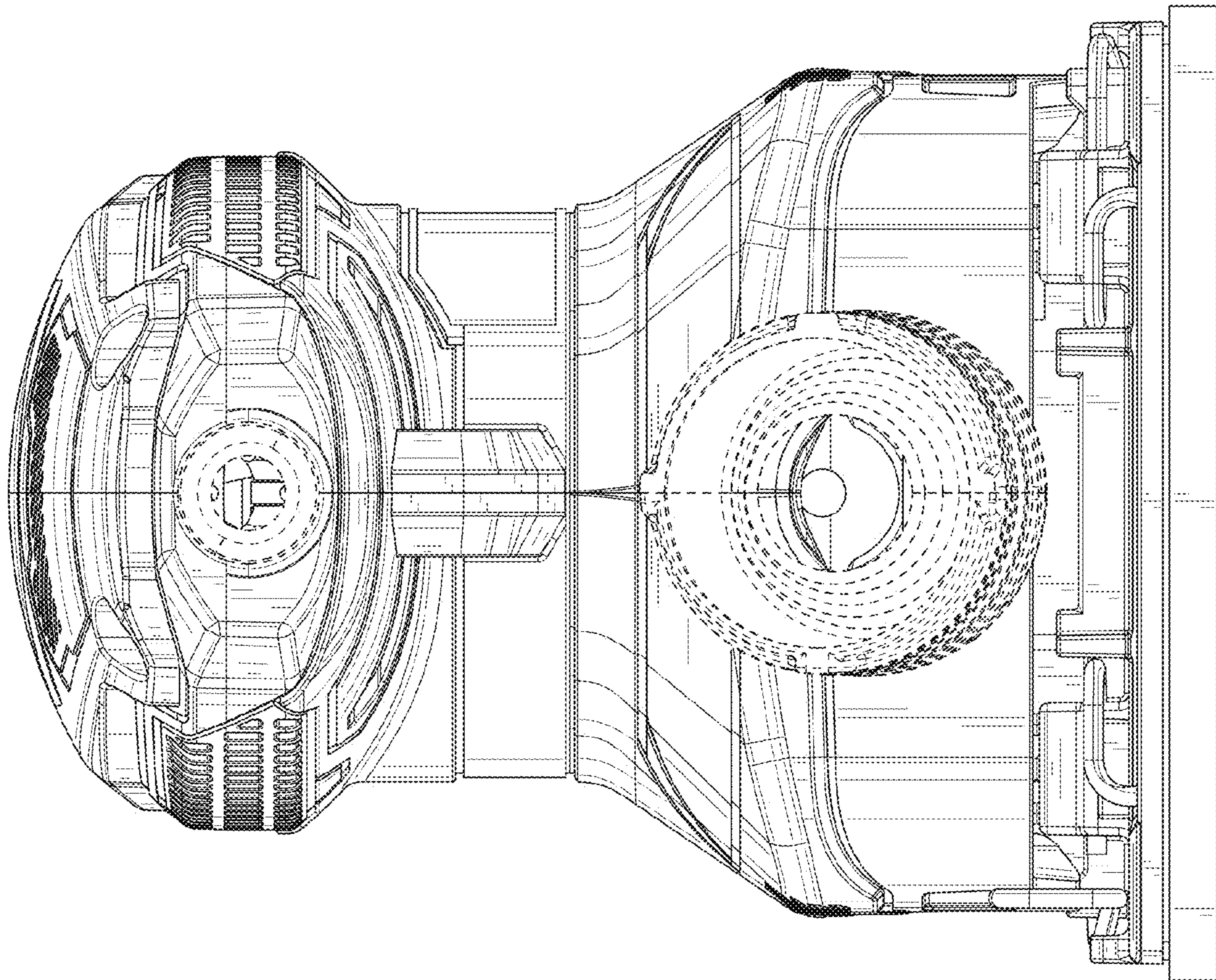


FIG. 3

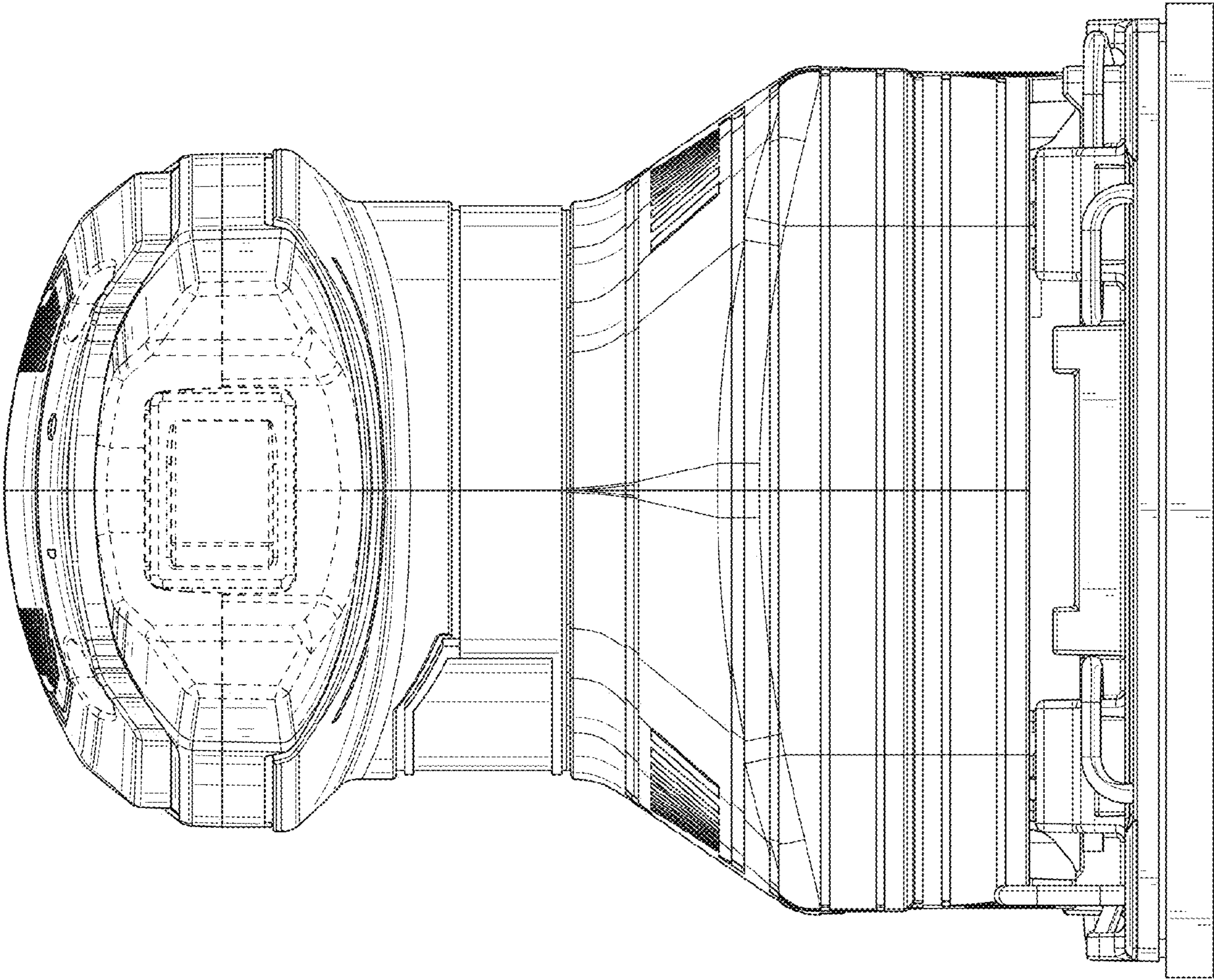


FIG. 4



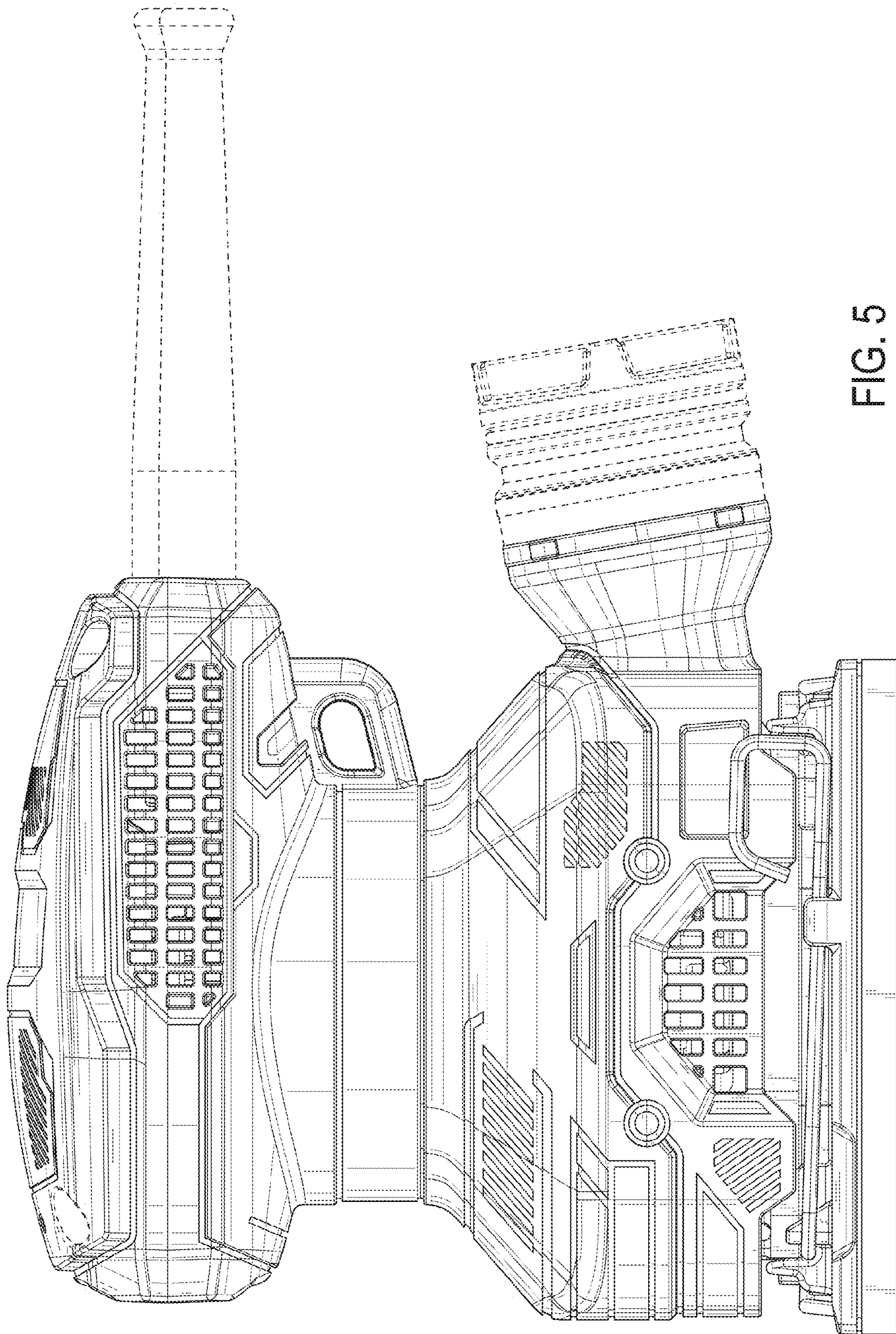


FIG. 5



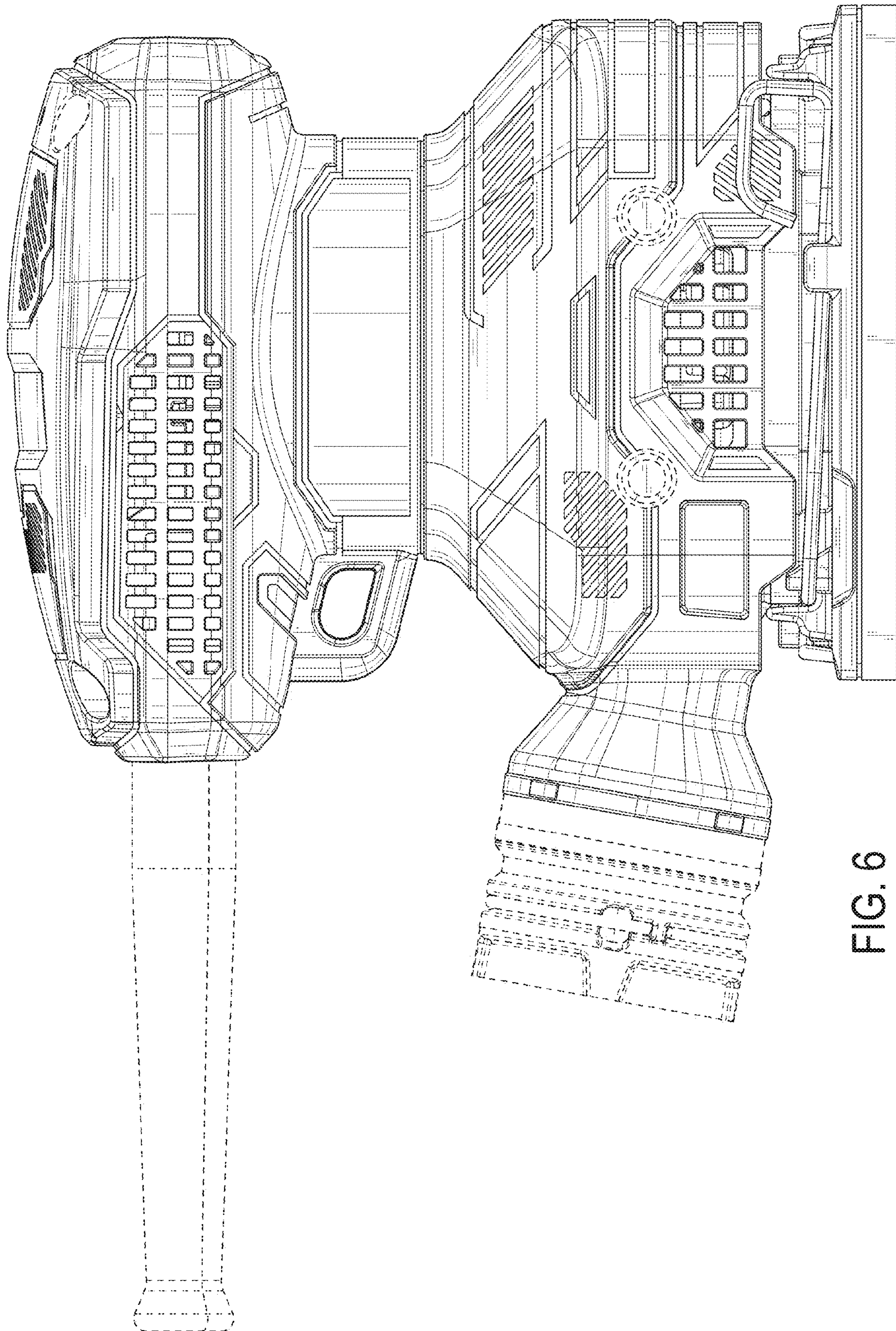


FIG. 6



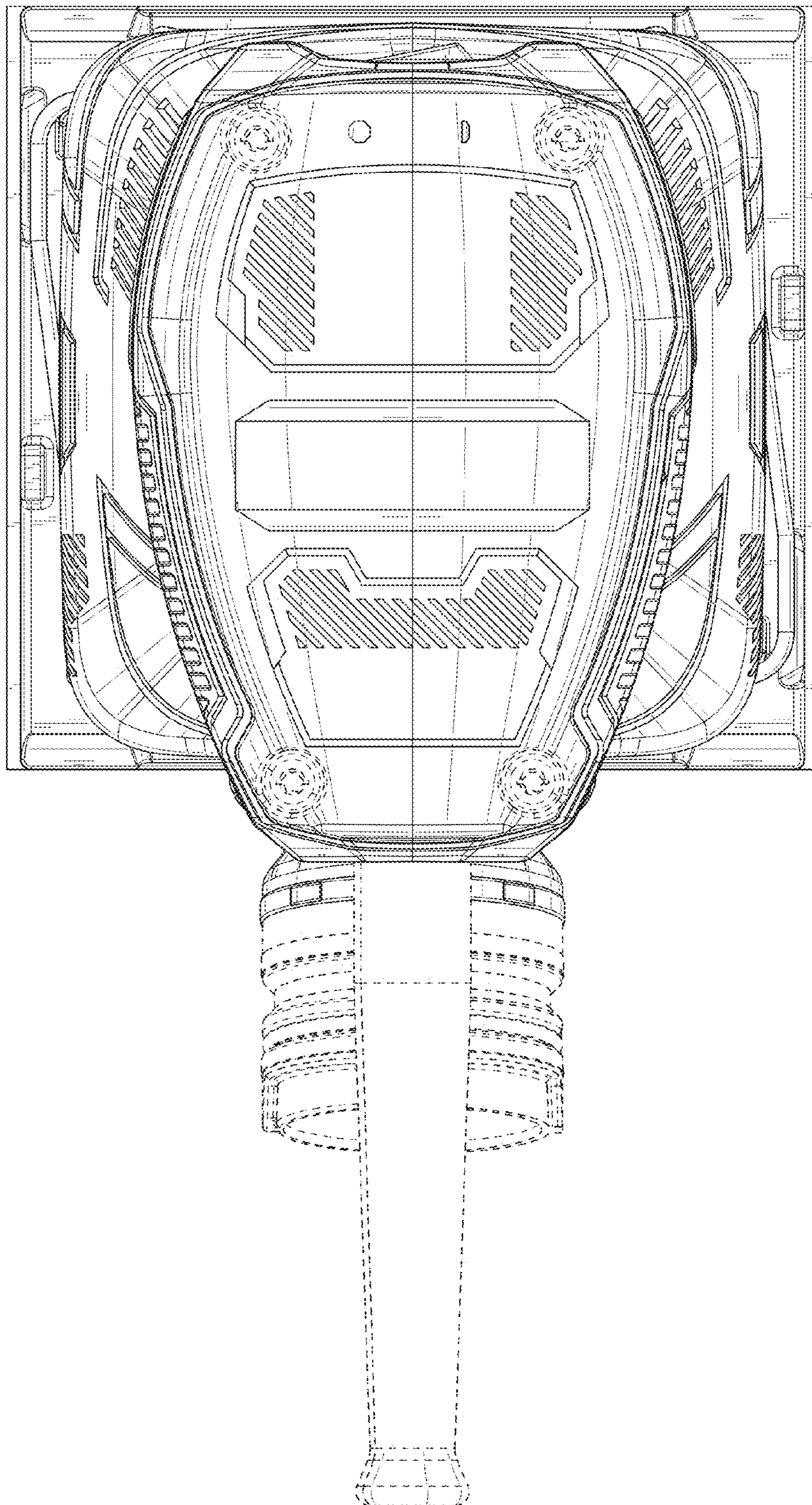


FIG. 7



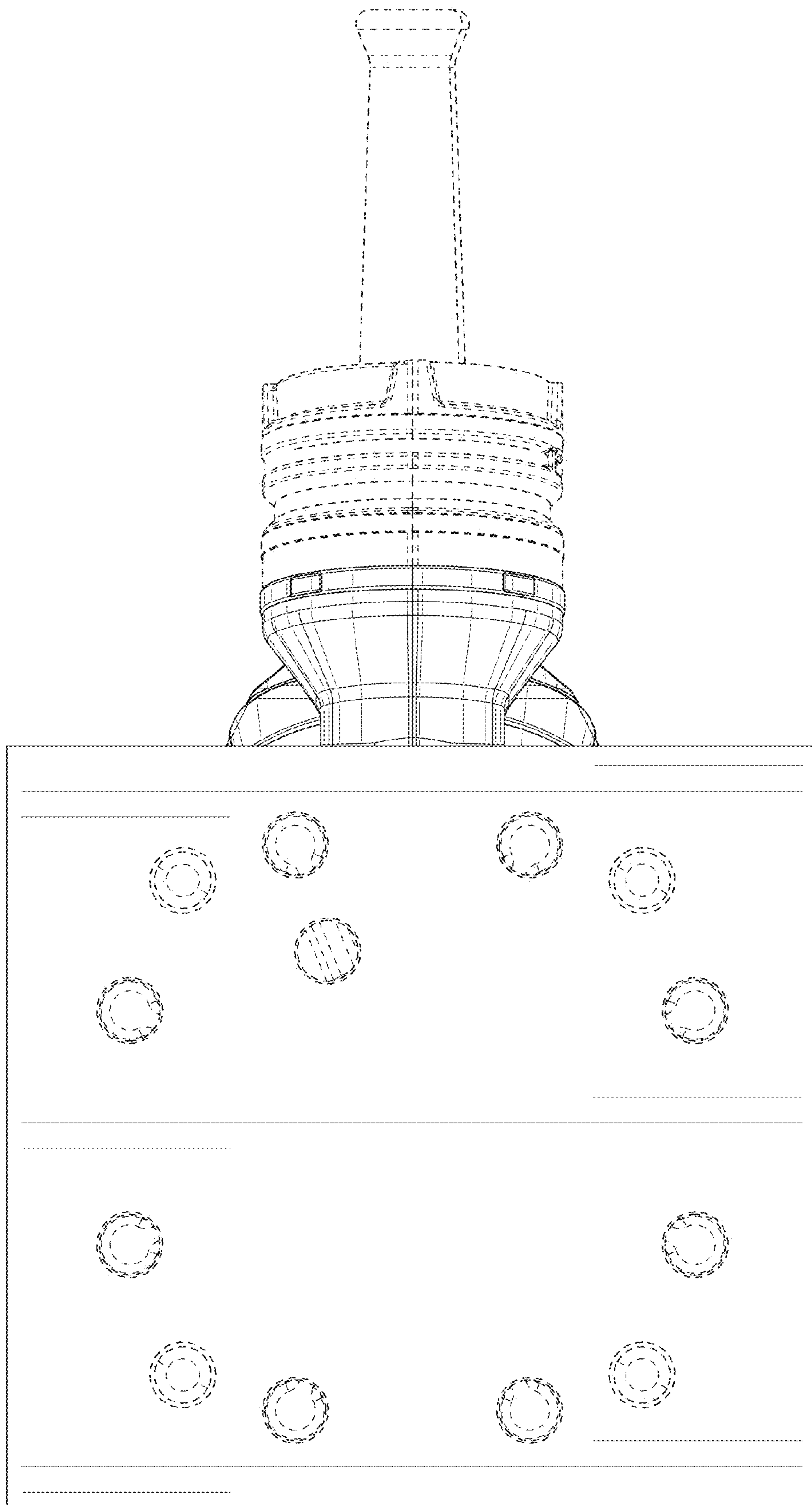


FIG. 8