



US00D877587S

(12) **United States Design Patent**
Romanak

(10) **Patent No.:** **US D877,587 S**
(45) **Date of Patent:** **** Mar. 10, 2020**

- (54) **RATCHET**
- (71) Applicant: **HORIZON GLOBAL AMERICAS INC.**, Plymouth, MI (US)
- (72) Inventor: **Matthew Romanak**, Garfield Heights, OH (US)
- (73) Assignee: **HORIZON GLOBAL AMERICAS INC.**, Plymouth, MI (US)
- (**) Term: **15 Years**
- (21) Appl. No.: **29/654,771**
- (22) Filed: **Jun. 27, 2018**

D530,997 S	10/2006	Hsieh	
7,448,596 B1	11/2008	Chang	
D661,562 S	6/2012	Stevens	
D675,498 S	2/2013	Stevens	
D820,058 S *	6/2018	Breedon, III	D8/44
D821,172 S *	6/2018	Romanak	D8/44
D821,837 S *	7/2018	Romanak	D8/44
D826,016 S *	8/2018	Breedon, III	D8/44
D826,017 S *	8/2018	Breedon, III	D8/44
2004/0169170 A1	9/2004	Hernandez	
2006/0277726 A1	12/2006	Hsieh	
2009/0279978 A1	11/2009	Polin	
2009/0283729 A1	11/2009	Carlson	

* cited by examiner

Primary Examiner — Philip S Hyder

(74) *Attorney, Agent, or Firm* — McDonald Hopkins LLC

Related U.S. Application Data

- (62) Division of application No. 29/580,310, filed on Oct. 7, 2016, now Pat. No. Des. 821,837.
- (51) **LOC (12) Cl.** **08-05**
- (52) **U.S. Cl.**
USPC **D8/44**
- (58) **Field of Classification Search**
USPC D8/44, 14, 51, 107
CPC B25B 25/00; B21F 9/00; B60P 7/0823;
B60P 7/083; B60P 7/0846; Y10T 24/21;
Y10T 24/2117
See application file for complete search history.

(57) **CLAIM**

The ornamental design for a ratchet, as shown and described.

DESCRIPTION

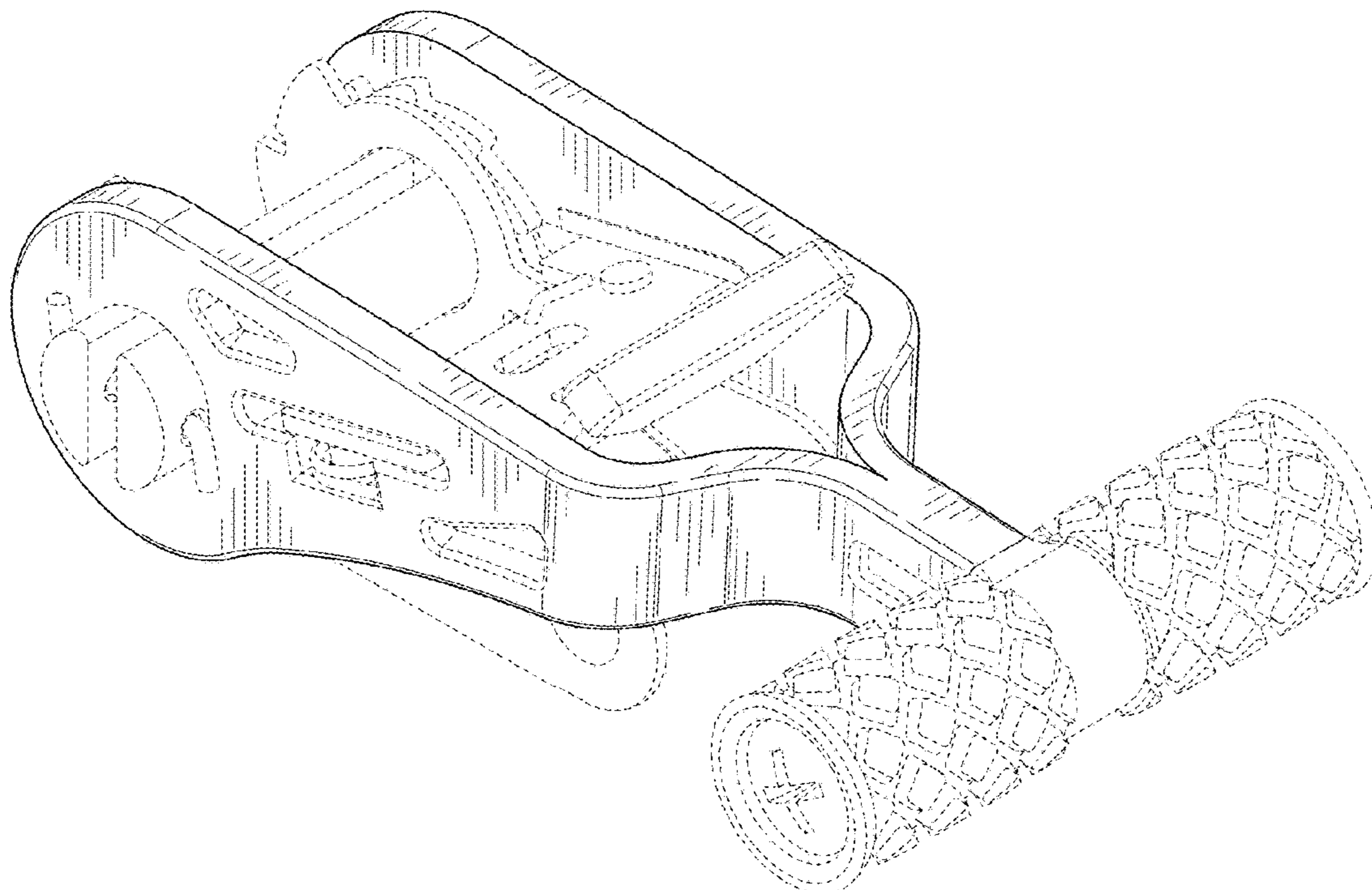
FIG. 1 is a perspective view of a ratchet showing my new design;
 FIG. 2 is a front side view thereof;
 FIG. 3 is a back side view thereof;
 FIG. 4 is a first side view thereof;
 FIG. 5 is a second side view thereof;
 FIG. 6 is a top view thereof; and,
 FIG. 7 is a bottom view thereof.
 The broken lines in the figures are included for the purpose of illustrating portions of a ratchet and form no part of the claimed design.

(56) **References Cited**

U.S. PATENT DOCUMENTS

D266,828 S 11/1982 Prete
 6,908,073 B1 6/2005 Hsieh

1 Claim, 6 Drawing Sheets



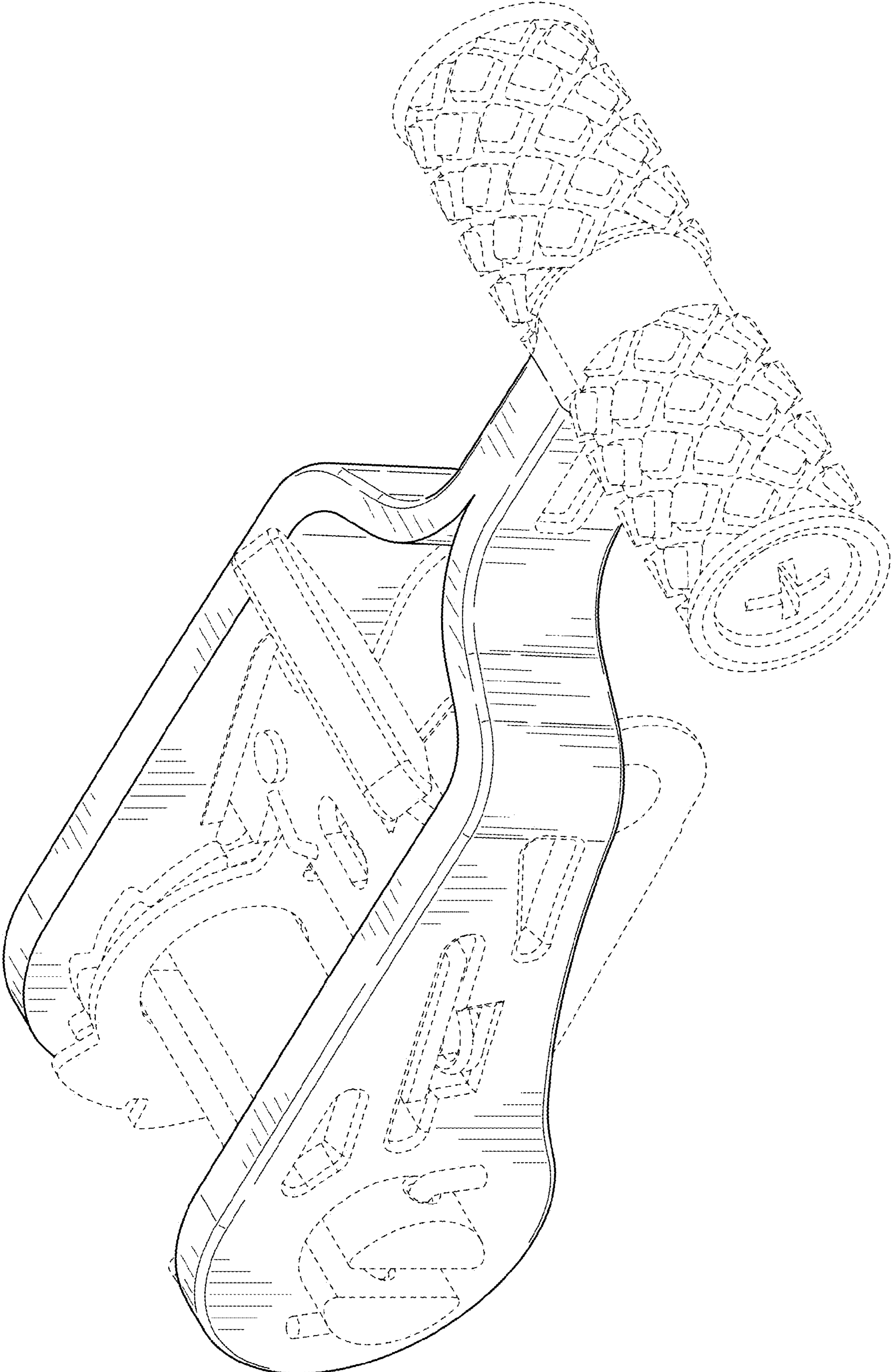


FIG. 1

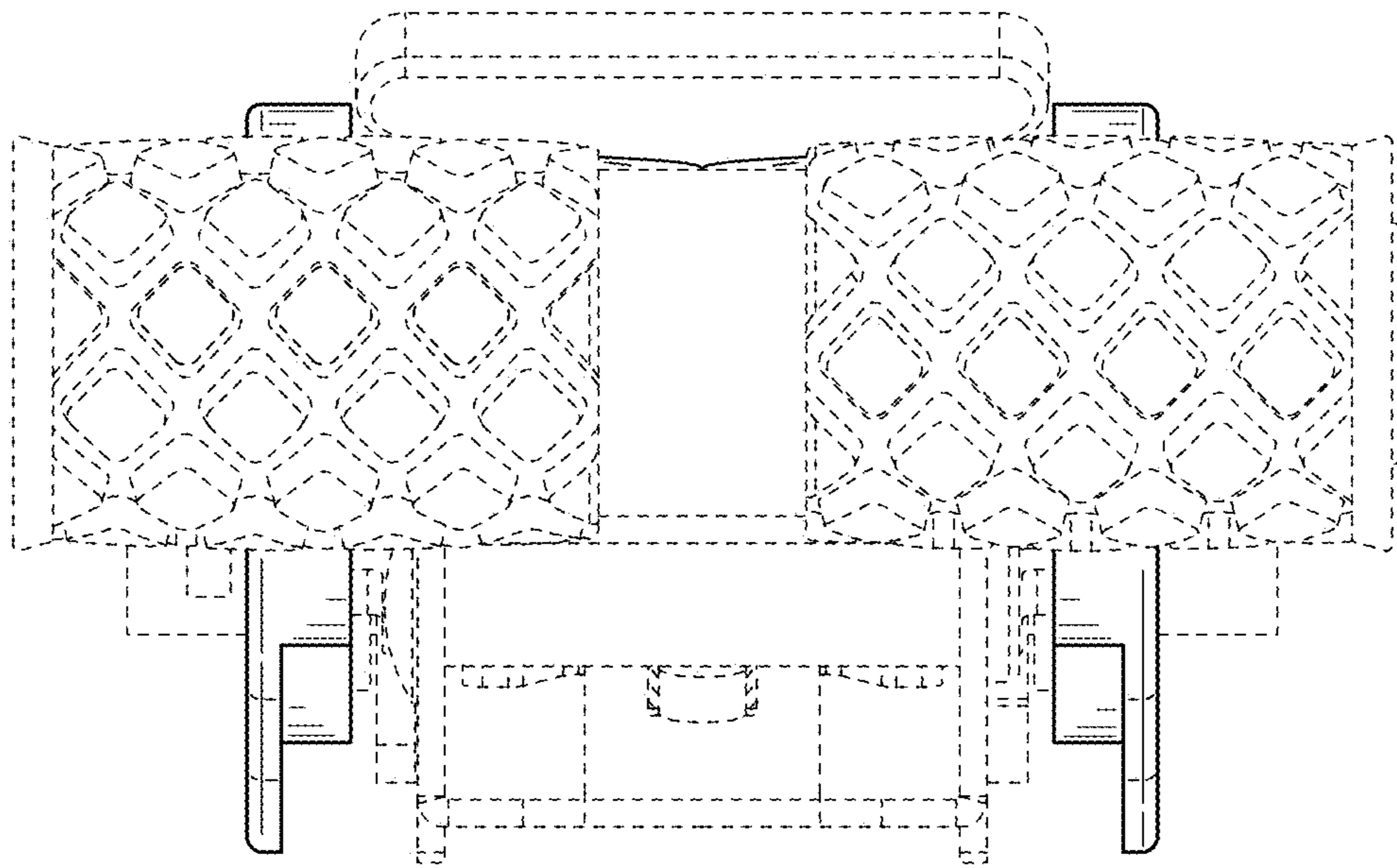


FIG. 2

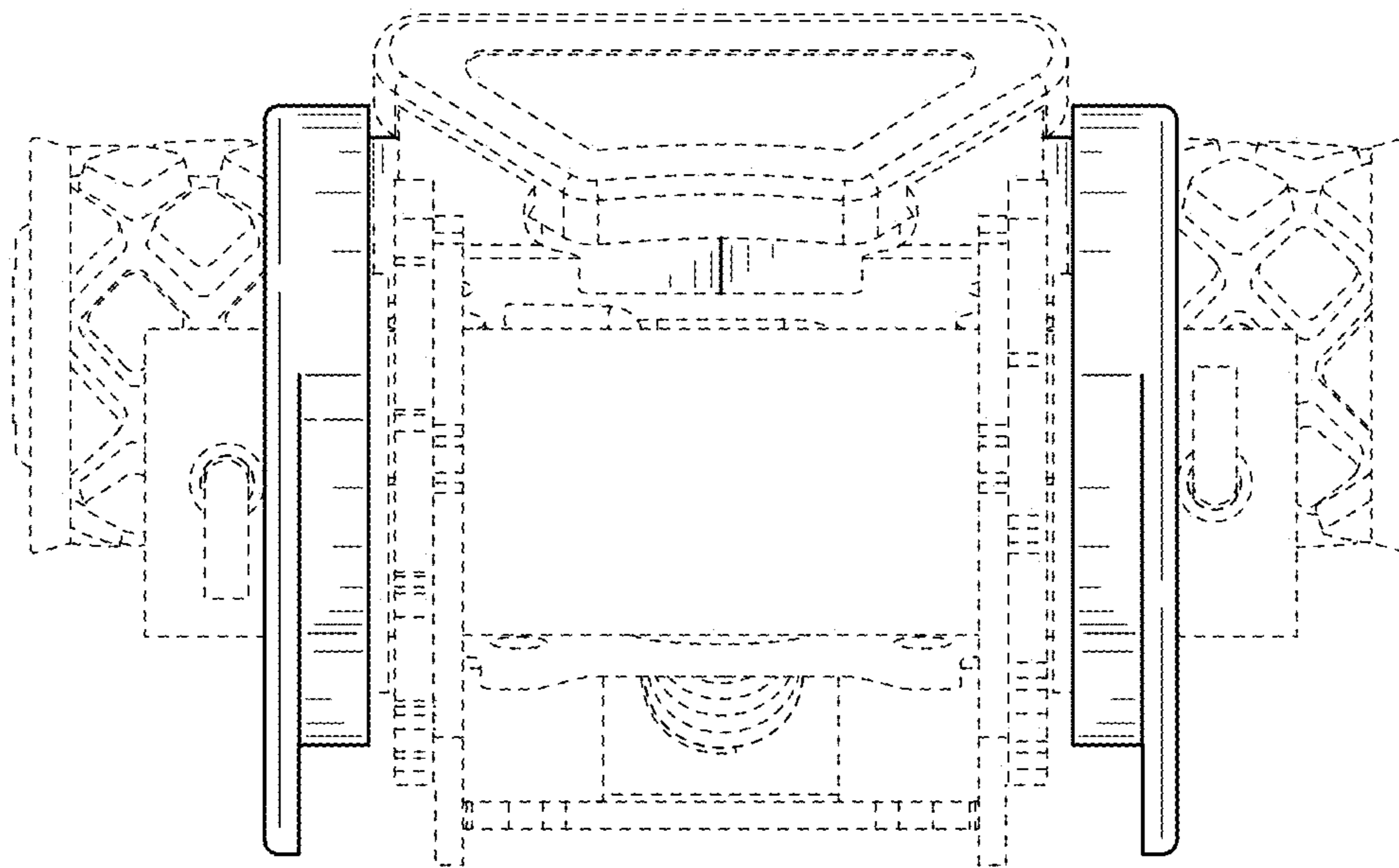


FIG. 3

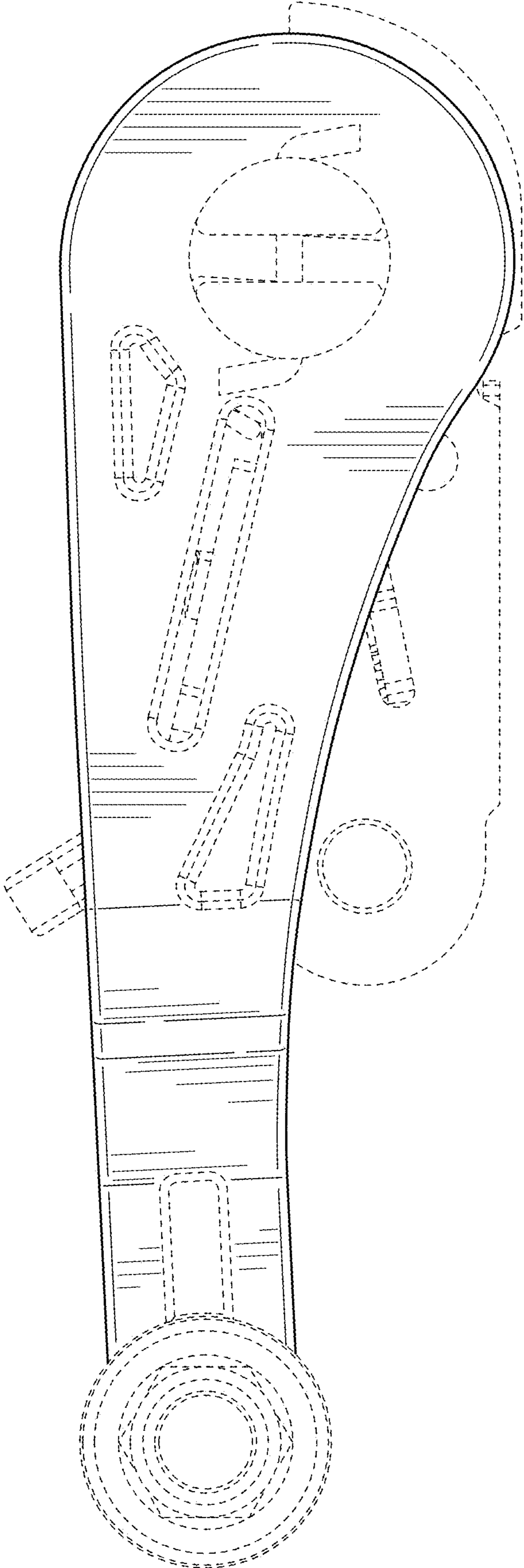


FIG. 4

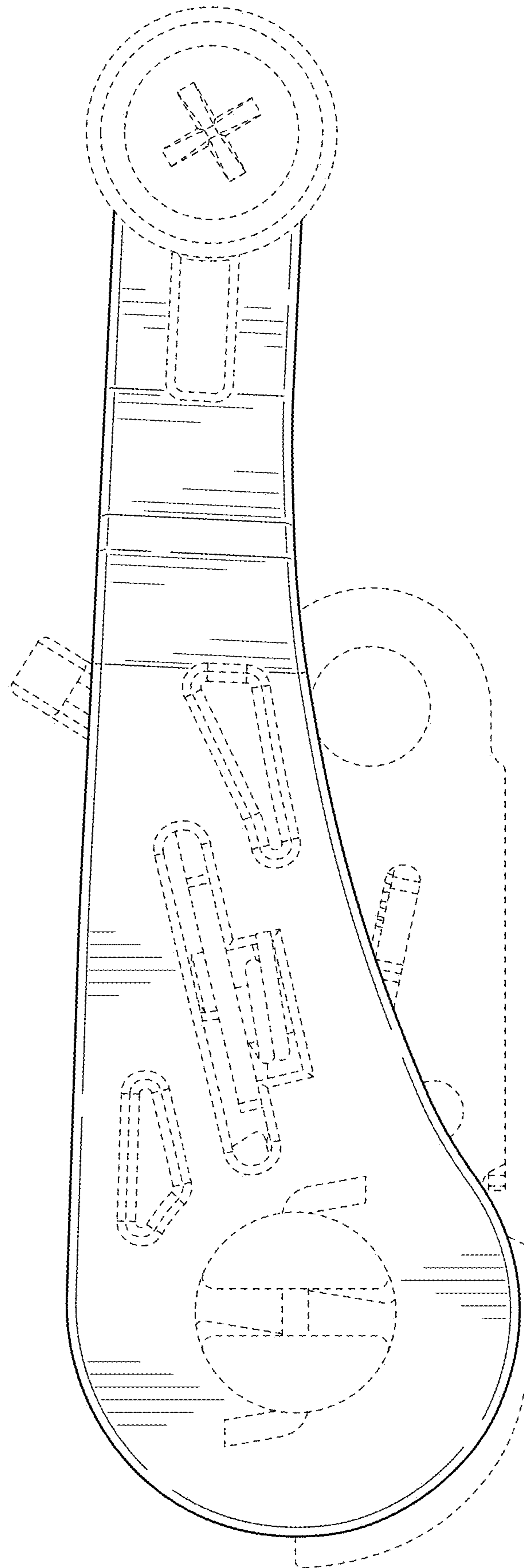


FIG. 5

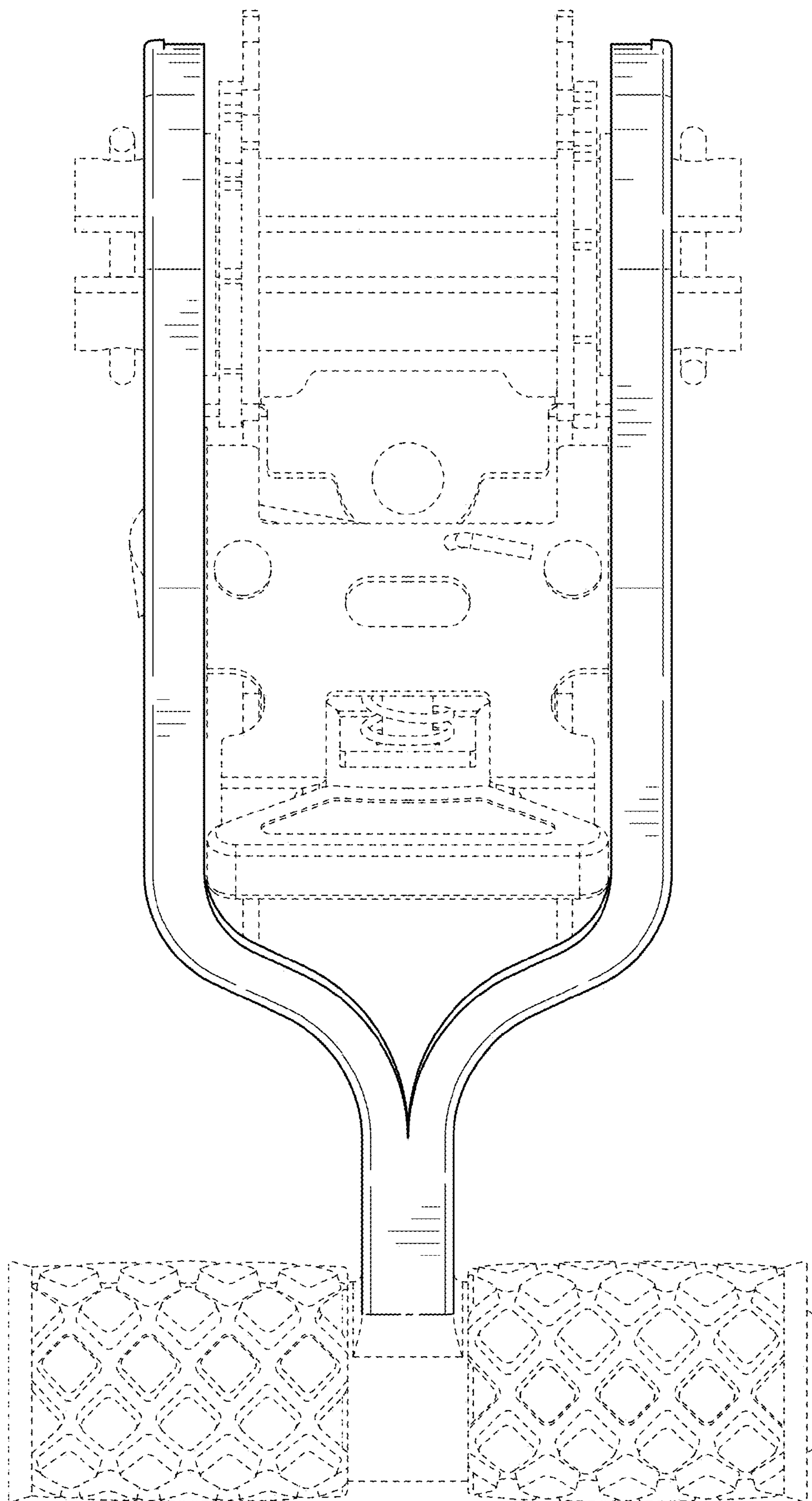


FIG. 6

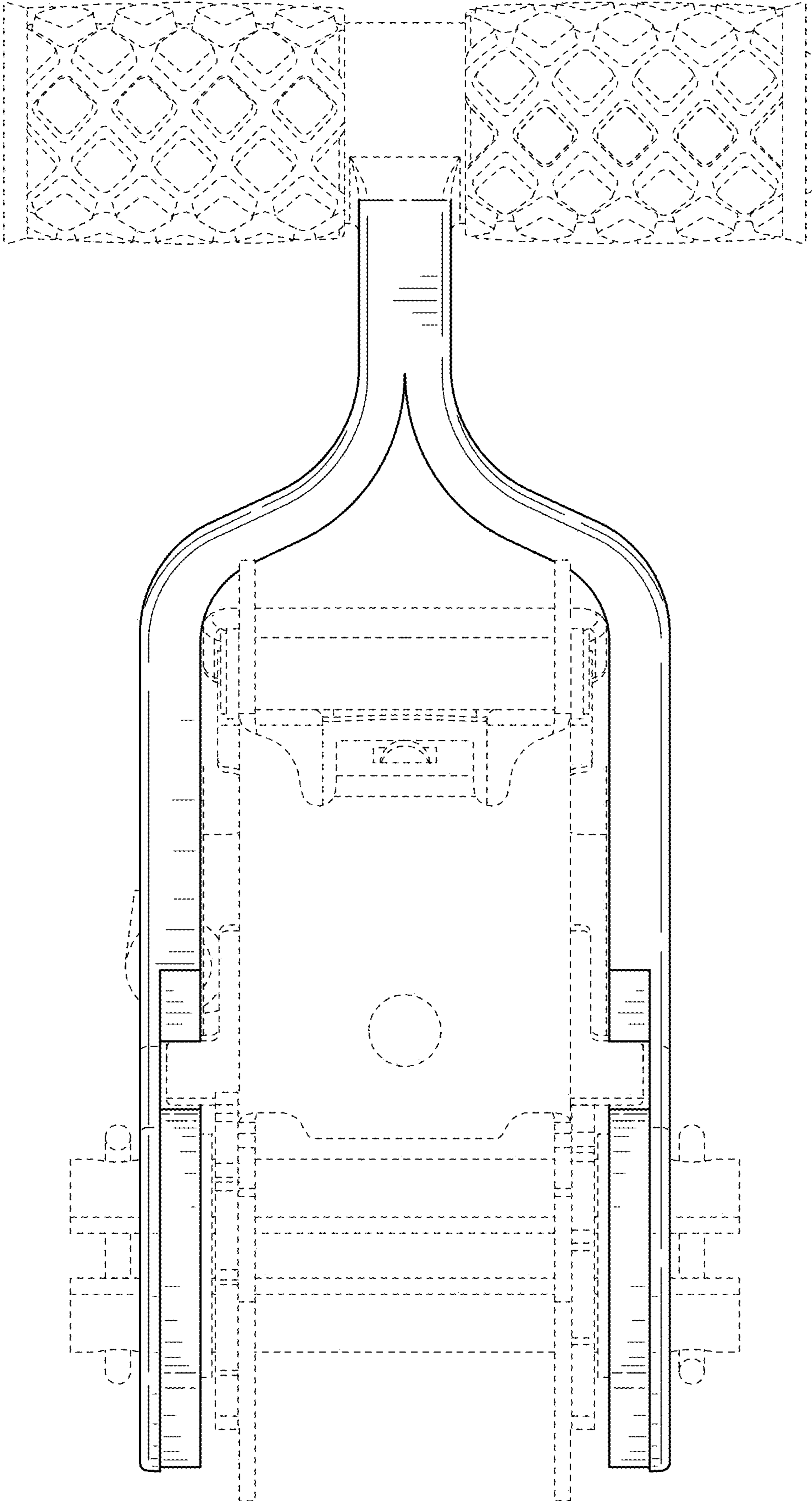


FIG. 7