



US00D877586S

(12) **United States Design Patent**  
**Hatcher**

(10) **Patent No.:** **US D877,586 S**

(45) **Date of Patent:** **\*\* Mar. 10, 2020**

(54) **RATCHET HANDLE**

(71) Applicant: **WINSTON PRODUCTS, LLC**,  
Cleveland, OH (US)

(72) Inventor: **Troy Hatcher**, Bay Village, OH (US)

(73) Assignee: **WINSTON PRODUCTS LLC**,  
Cleveland, OH (US)

(\*\*) Term: **15 Years**

(21) Appl. No.: **29/648,679**

(22) Filed: **May 23, 2018**

(51) **LOC (12) Cl.** ..... **08-05**

(52) **U.S. Cl.**  
USPC ..... **D8/44**

(58) **Field of Classification Search**  
USPC ..... D8/14, 44, 51  
CPC ..... B25B 25/00; B60P 3/079; B60P 7/083;  
B60P 7/0846; B65B 13/025  
See application file for complete search history.

(56) **References Cited**

**U.S. PATENT DOCUMENTS**

- 4,199,182 A \* 4/1980 Sunesson ..... B60P 7/083  
24/68 CD
- 4,227,286 A \* 10/1980 Holmberg ..... B60P 7/083  
24/68 CD
- 6,547,218 B2 \* 4/2003 Landy ..... B60P 7/083  
24/68 CD
- D639,626 S \* 6/2011 Gangakhedkar ..... D8/44
- D642,031 S \* 7/2011 Pehar ..... D8/44

- D675,498 S \* 2/2013 Stevens ..... D8/44
- D679,972 S \* 4/2013 Gangakhedkar ..... D8/44
- D686,894 S \* 7/2013 Breeden ..... B60P 7/083  
D8/44
- D721,561 S \* 1/2015 Romanak ..... D8/44
- 9,259,828 B2 \* 2/2016 Bermes ..... B25B 25/00
- D805,377 S \* 12/2017 Breeden, III ..... D8/383
- D820,058 S \* 6/2018 Breeden, III ..... D8/44
- D826,016 S \* 8/2018 Breeden, III ..... D8/44
- D826,017 S \* 8/2018 Breeden, III ..... D8/44

\* cited by examiner

*Primary Examiner* — Philip S Hyder

(74) *Attorney, Agent, or Firm* — Tucker Ellis LLP

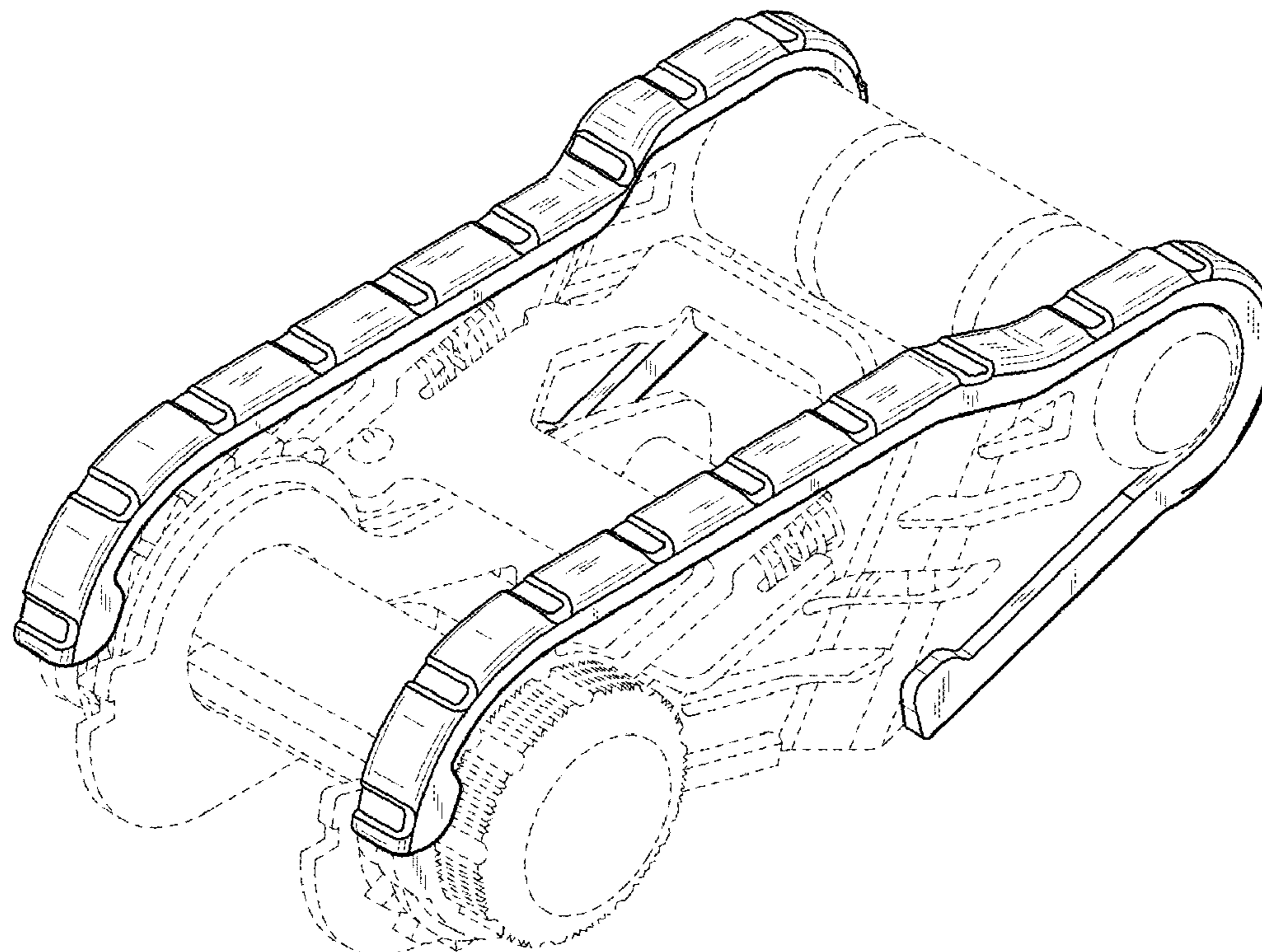
(57) **CLAIM**

The ornamental design for a ratchet handle, as shown and described.

**DESCRIPTION**

FIG. 1 is a perspective view of a ratchet handle showing my new design;  
 FIG. 2 is a front view thereof;  
 FIG. 3 is a rear view thereof;  
 FIG. 4 is a top view thereof;  
 FIG. 5 is a bottom view thereof;  
 FIG. 6 is a left side view thereof; and,  
 FIG. 7 is a right side view thereof.  
 The broken lines depict portions of the ratchet handle in which the design is embodied that are not considered part of the claimed design.

**1 Claim, 5 Drawing Sheets**



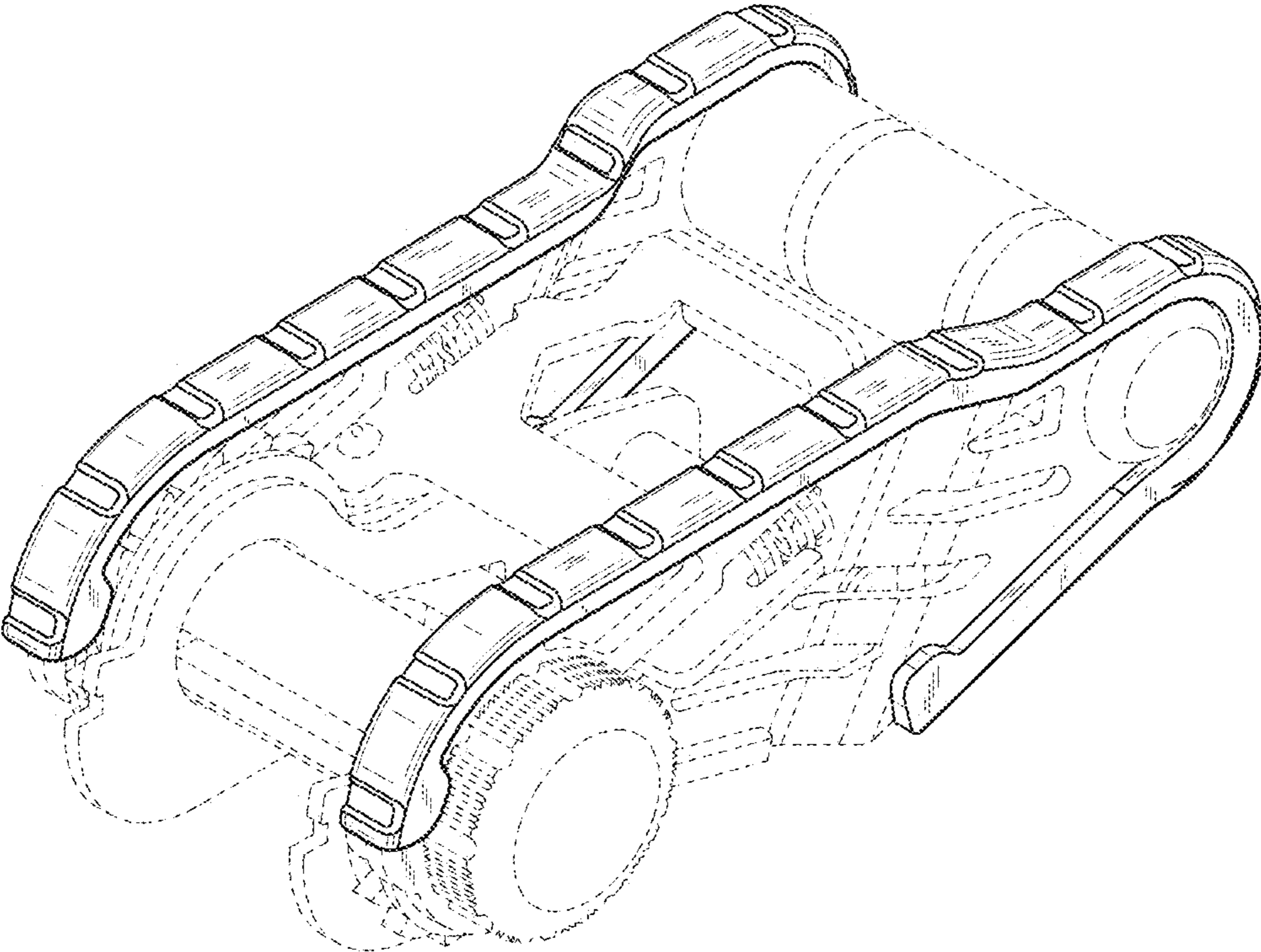


Fig. 1

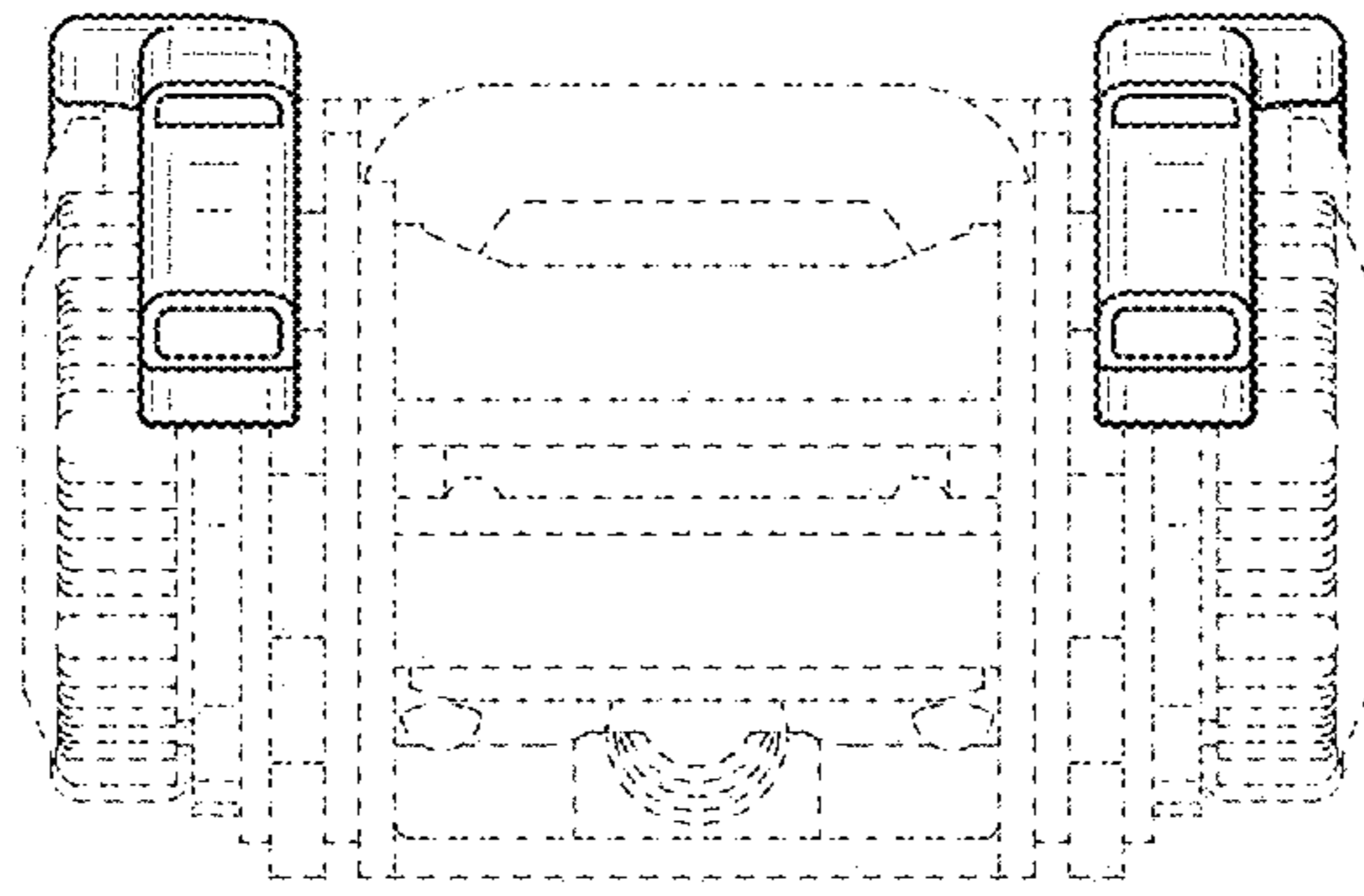


Fig. 2

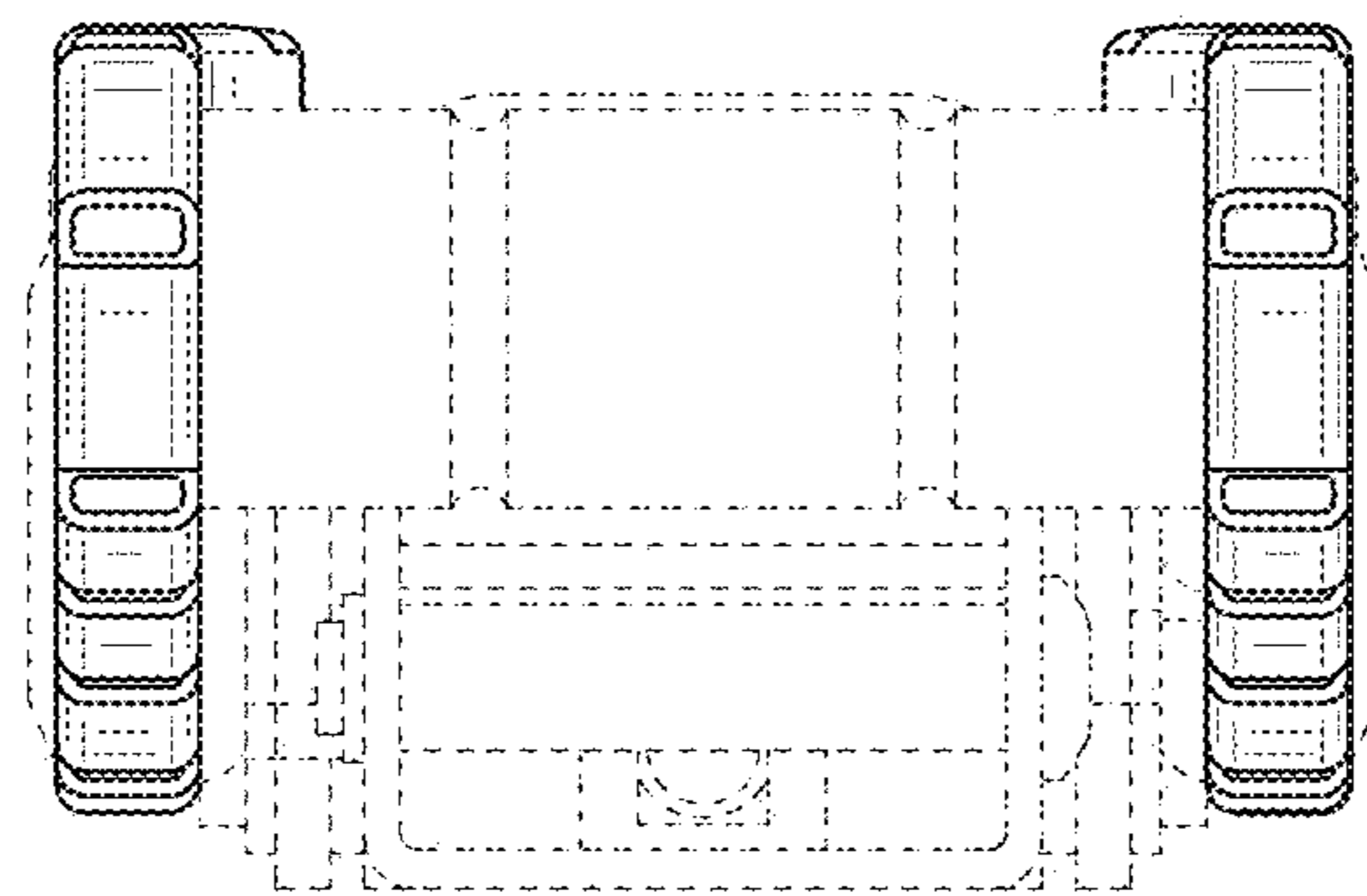


Fig. 3

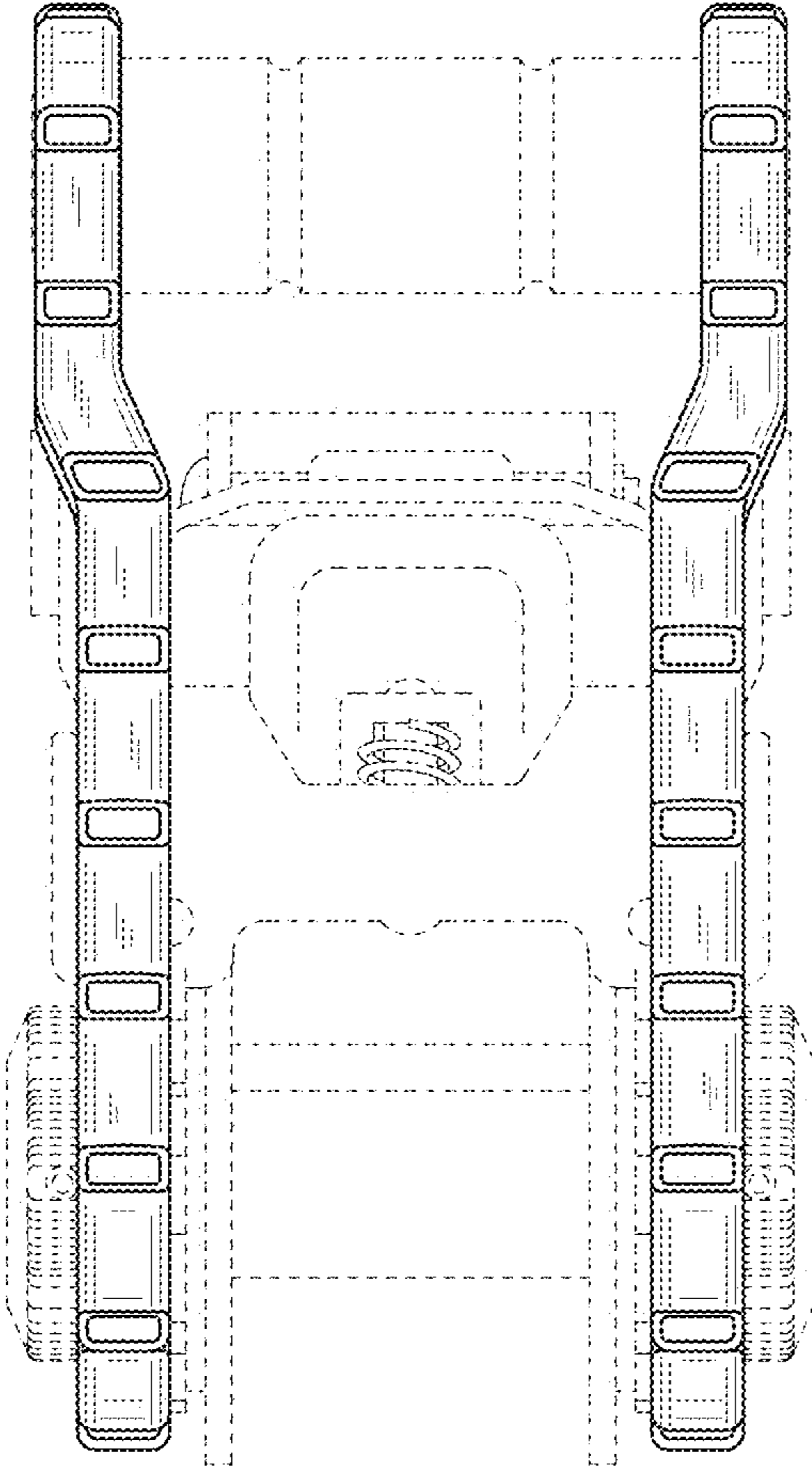


Fig. 4

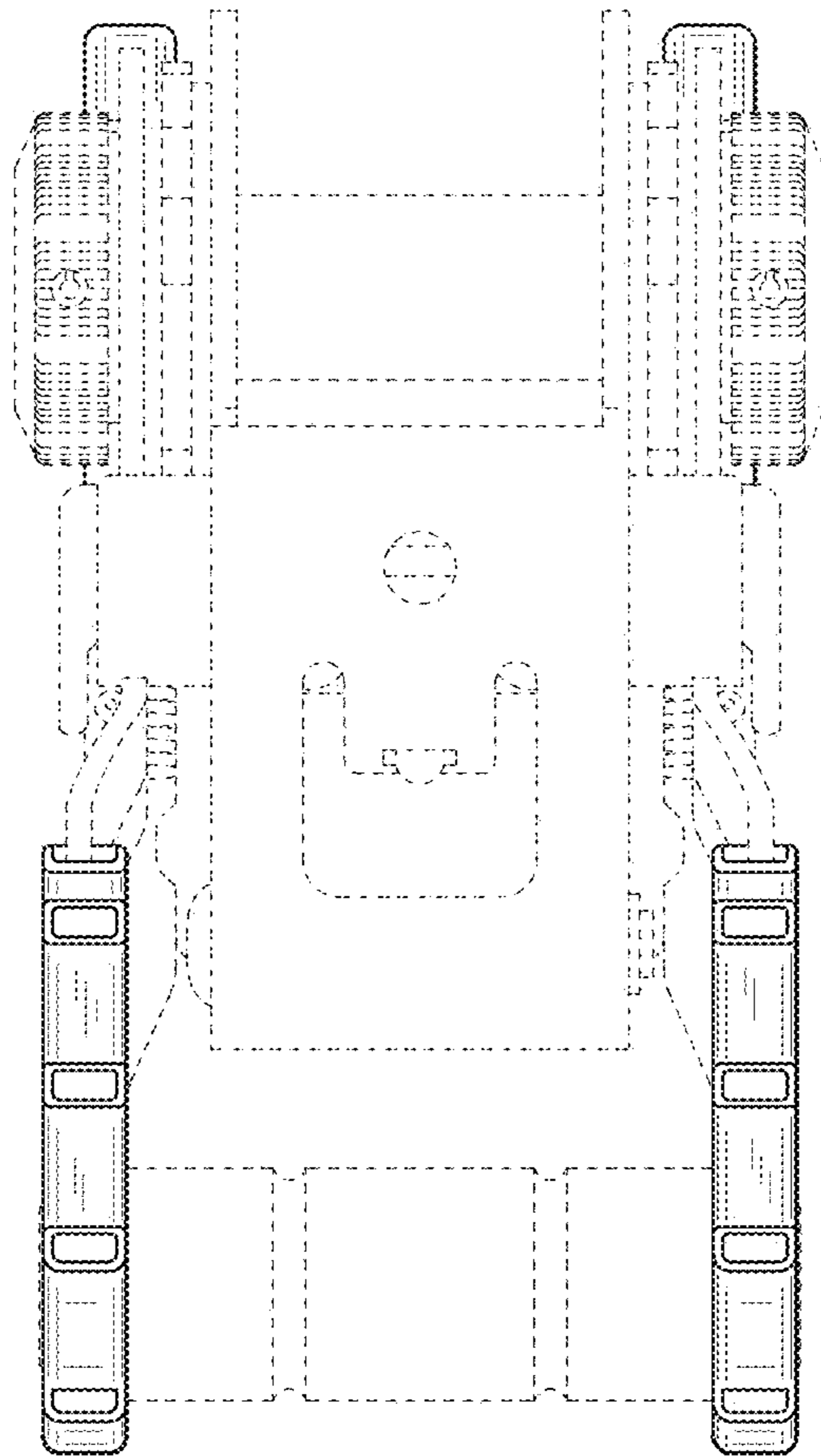


Fig.5

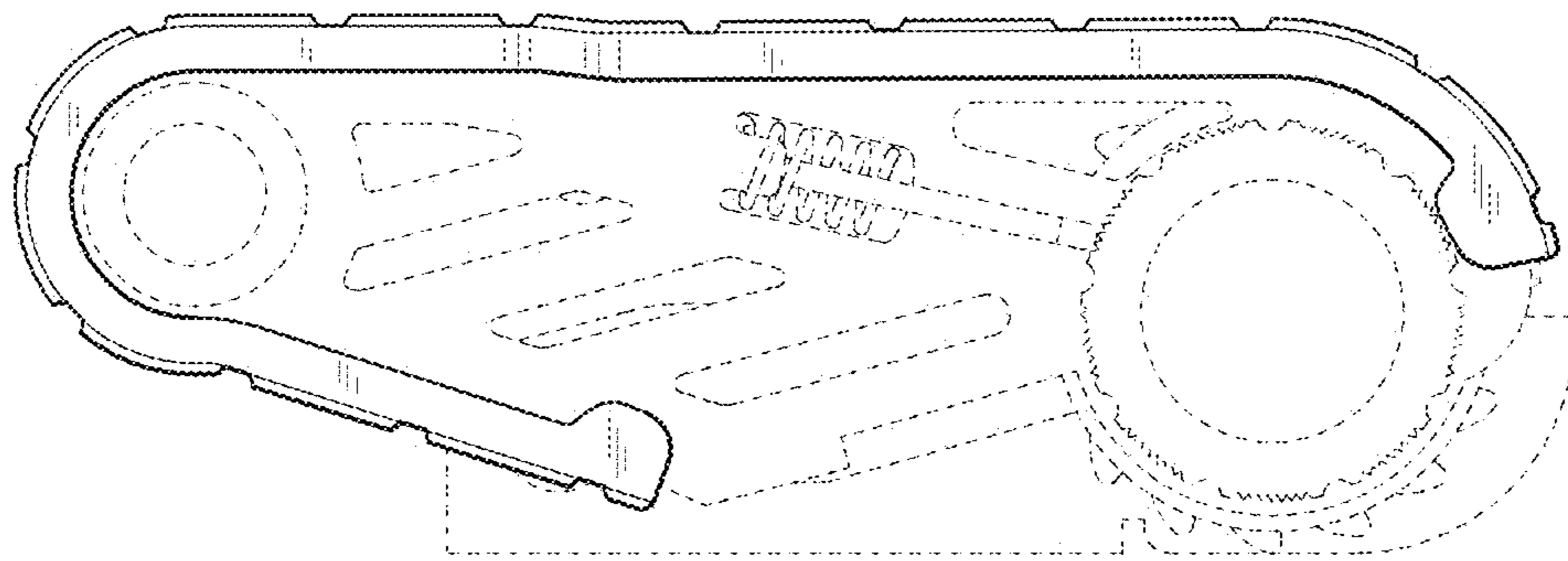


Fig. 6

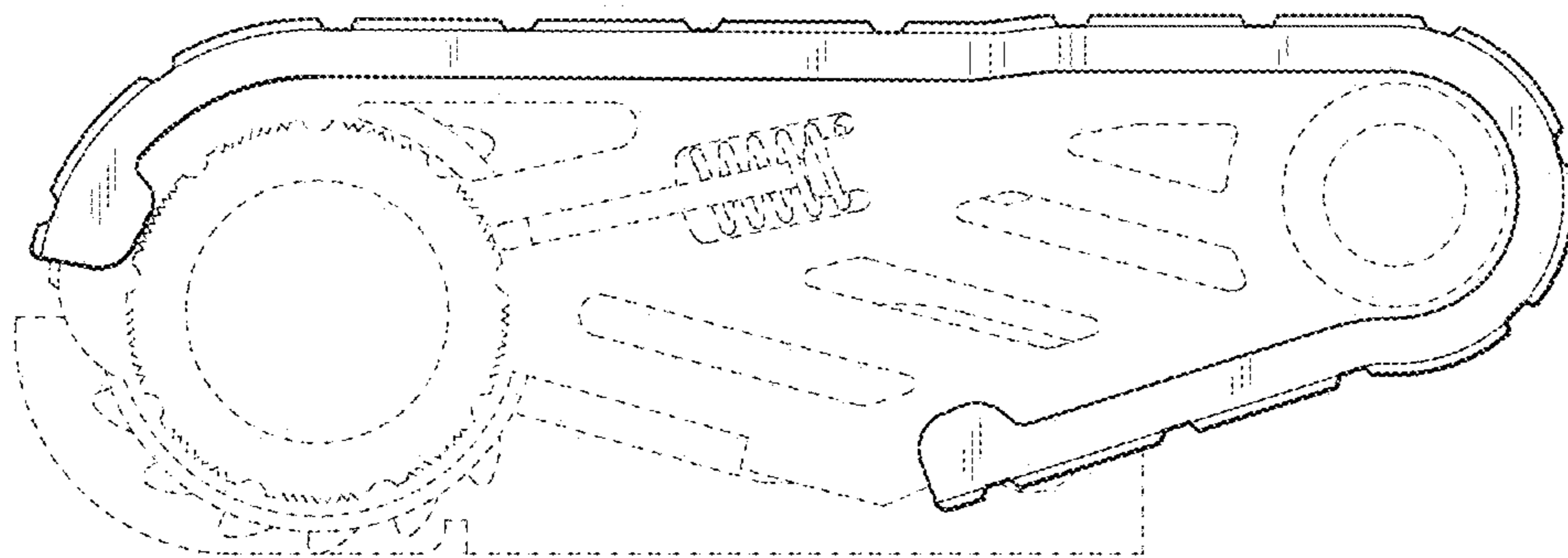


Fig. 7