



US00D877584S

(12) **United States Design Patent**
Lee

(10) **Patent No.:** **US D877,584 S**
(45) **Date of Patent:** **** Mar. 10, 2020**

(54) **HOT MELT GLUE GUN**
(71) Applicant: **HOMEEASE INDUSTRIAL CORPORATION LTD.**, Chia Yi Hsien (TW)
(72) Inventor: **Grace Lee**, Chia Yi Hsien (TW)
(73) Assignee: **HOMEEASE INDUSTRIAL CORPORATION, LTD**, Chia Yi Hsien (TW)
(**) Term: **15 Years**

(21) Appl. No.: **29/661,674**
(22) Filed: **Aug. 29, 2018**
(51) **LOC (12) Cl.** **08-05**
(52) **U.S. Cl.**
USPC **D8/30**
(58) **Field of Classification Search**
USPC D8/14.1, 29.1, 30, 68, 69
CPC B05C 17/0053; B05C 17/00546; B05C 17/00526; B05C 17/01; B05C 17/005; B05C 17/00523
See application file for complete search history.

(56) **References Cited**
U.S. PATENT DOCUMENTS
D370,396 S * 6/1996 Belanger D8/14.1
D455,620 S * 4/2002 Lee D8/14.1

D535,167 S * 1/2007 Monfeli D8/14.1
D541,121 S * 4/2007 Axinte D8/30
7,775,403 B2 * 8/2010 Monfeli B05C 17/00526
219/242
D671,385 S * 11/2012 Yung-Kuan D8/30
9,586,229 B1 * 3/2017 Lee B05C 17/0053
D793,193 S 8/2017 Lee
2017/0080449 A1 * 3/2017 Lee B05C 17/0053

* cited by examiner

Primary Examiner — Philip S Hyder
(74) *Attorney, Agent, or Firm* — Fresh IP PLC; Aubrey Y Chen

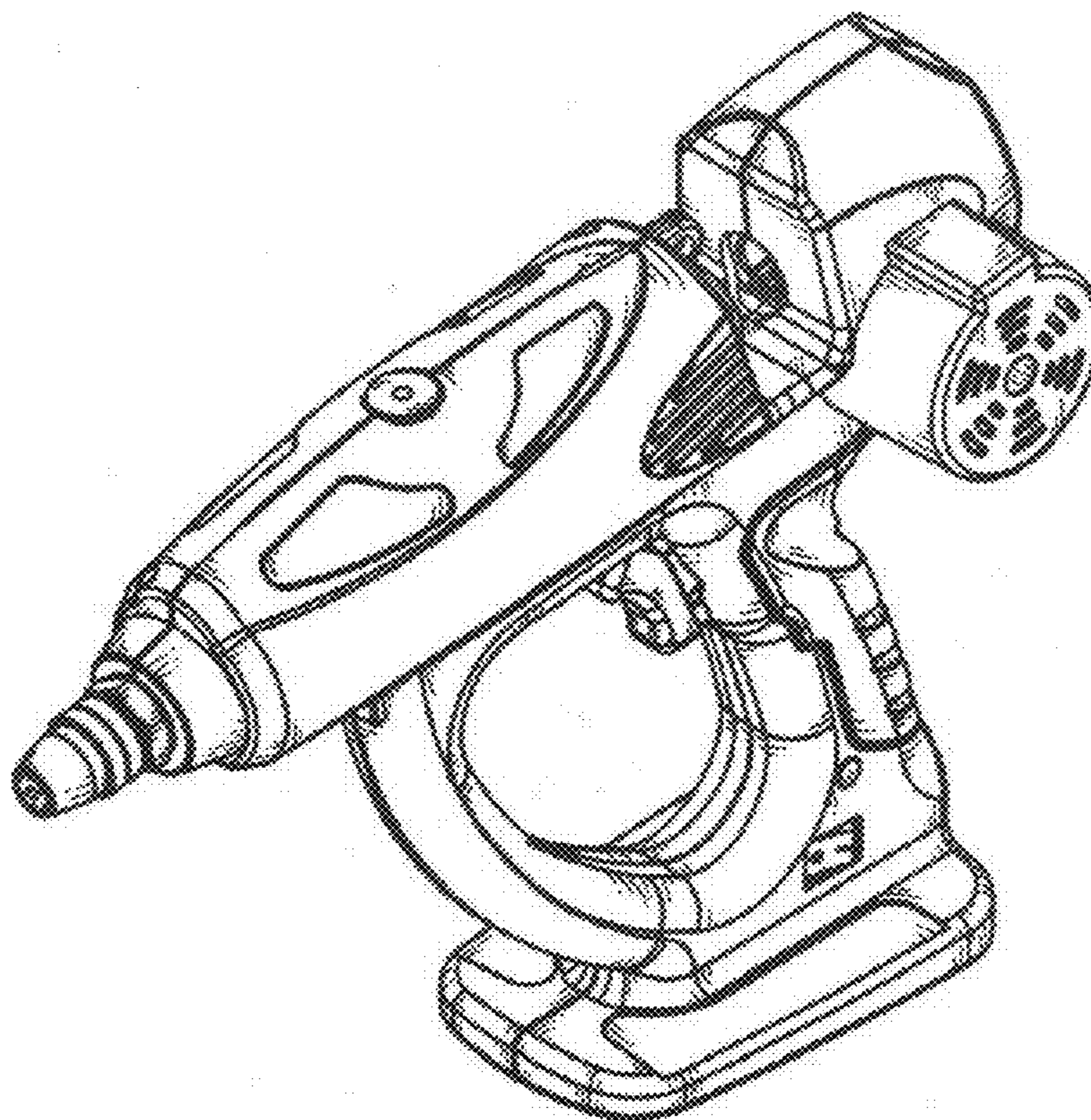
(57) **CLAIM**

The ornamental design for a hot melt glue gun, as shown and described.

DESCRIPTION

FIG. 1 is a perspective view of a hot melt glue gun showing my new design;
FIG. 2 is a front view thereof;
FIG. 3 is a rear view thereof;
FIG. 4 is a left side view thereof;
FIG. 5 is a right side view thereof;
FIG. 6 is a top view thereof;
FIG. 7 is a bottom view thereof; and,
FIG. 8 is a perspective view thereof showing the top, front, and right sides.

1 Claim, 5 Drawing Sheets



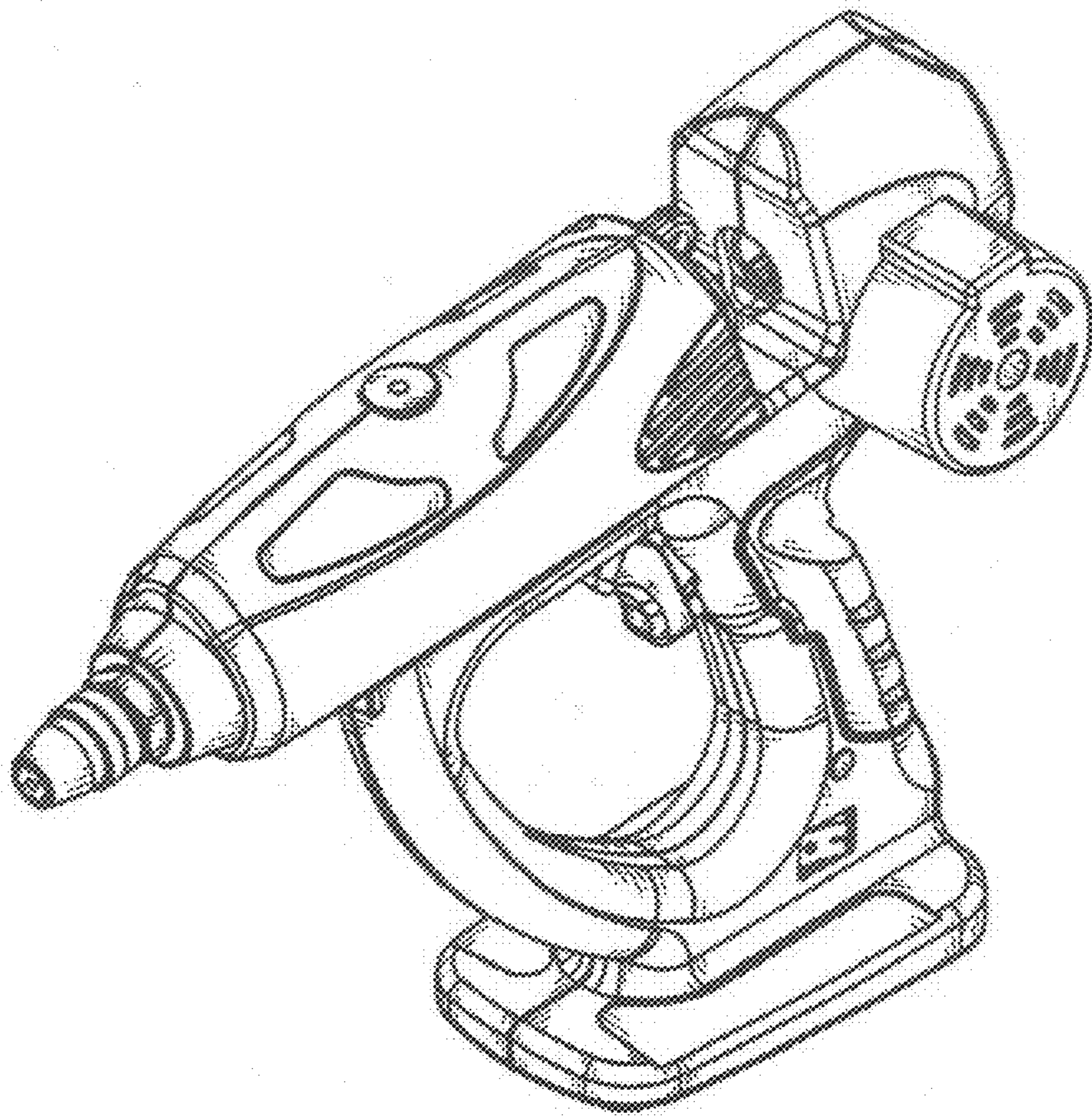


FIG. 1

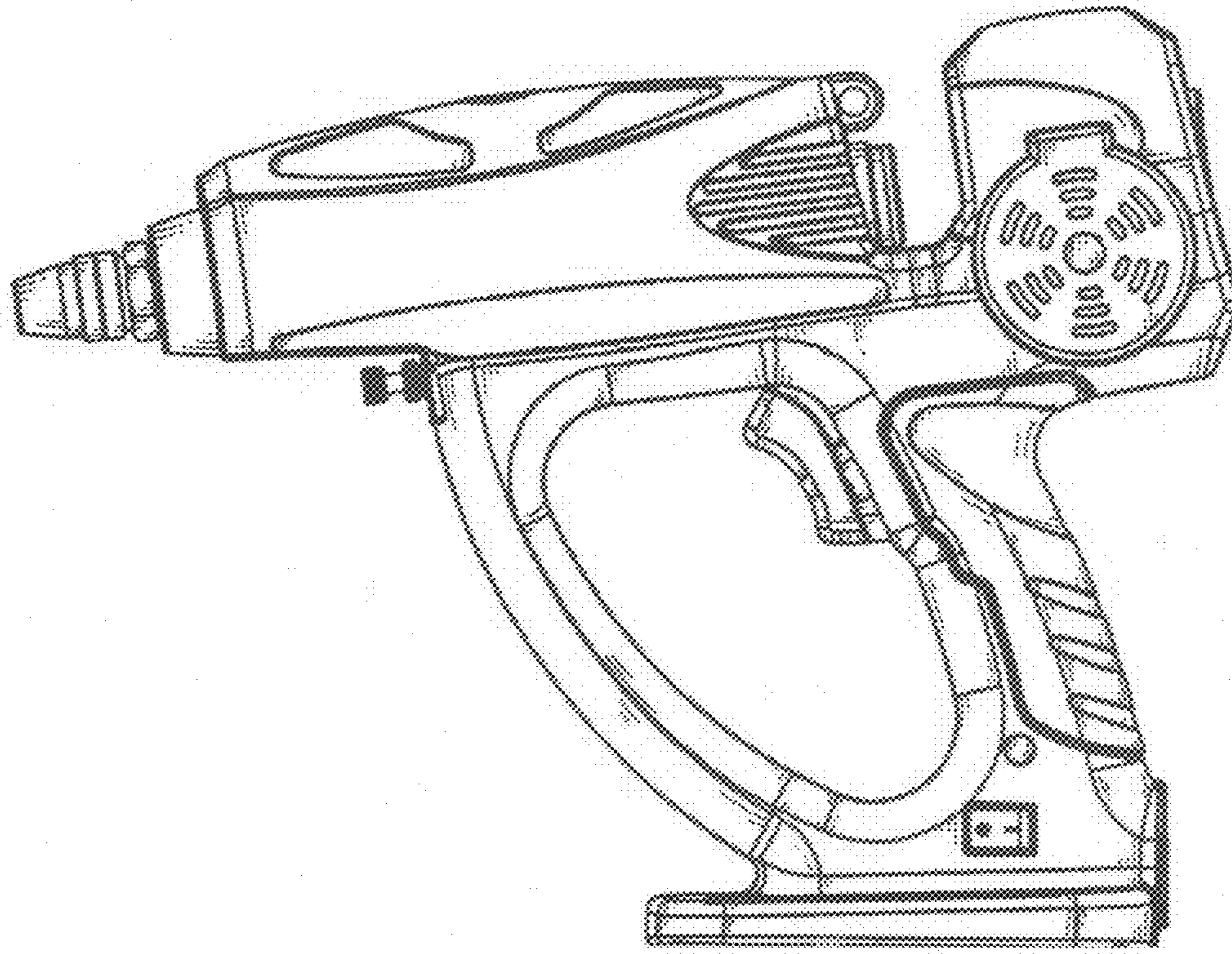


FIG. 2

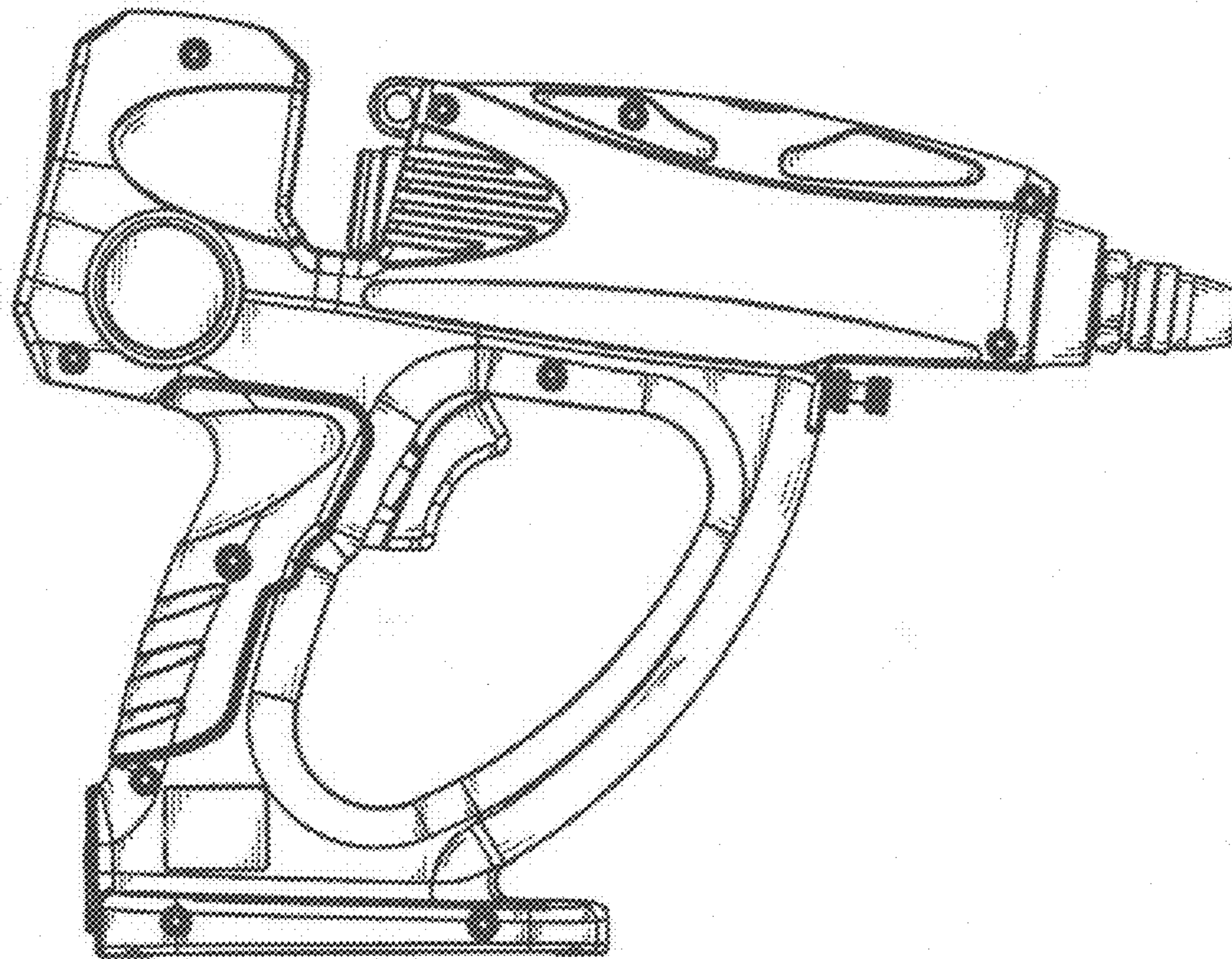


FIG. 3

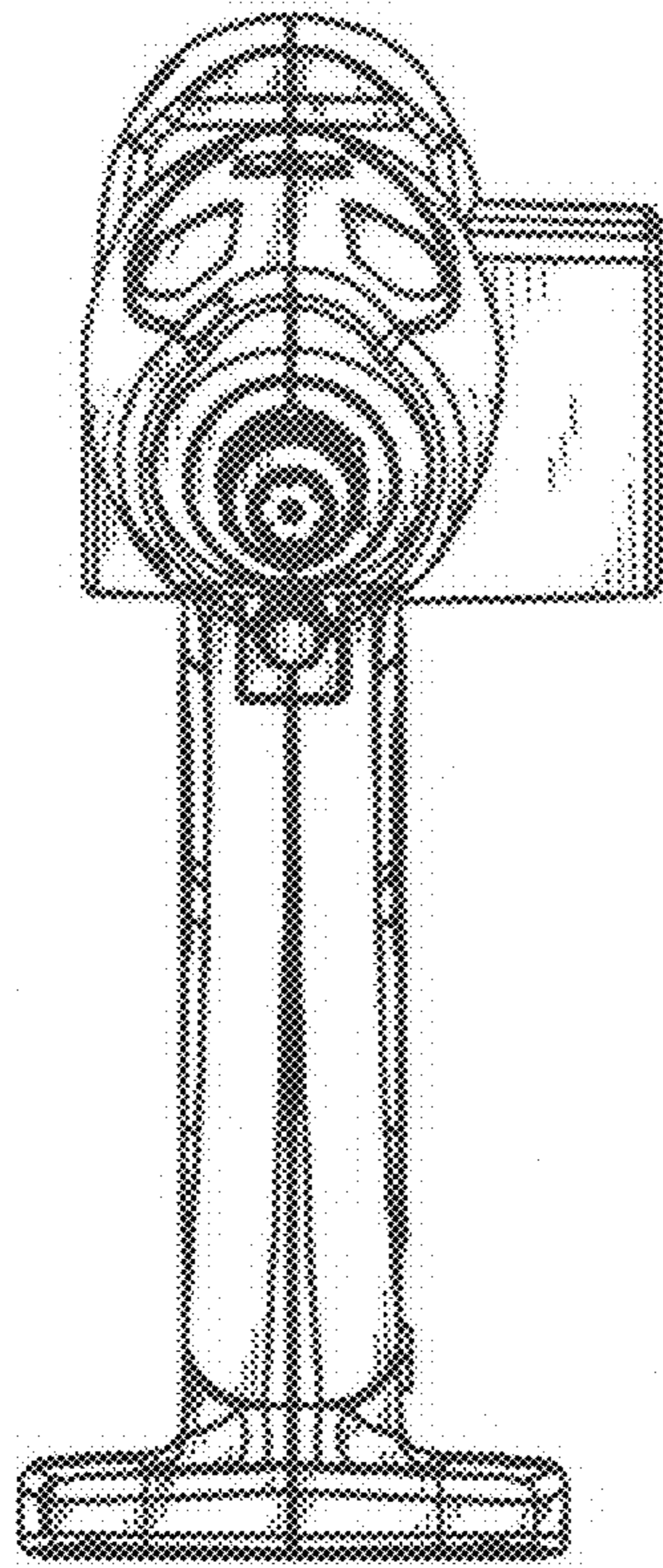


FIG. 4

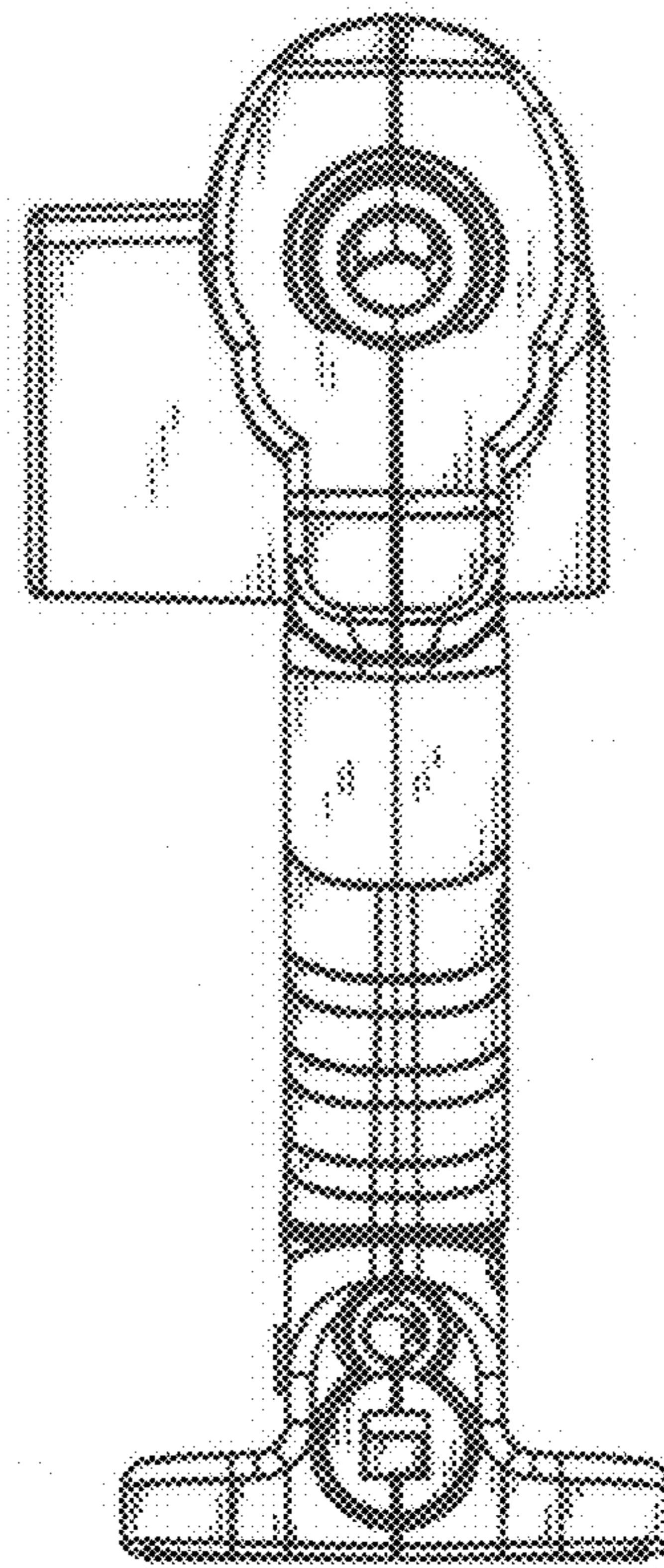


FIG. 5

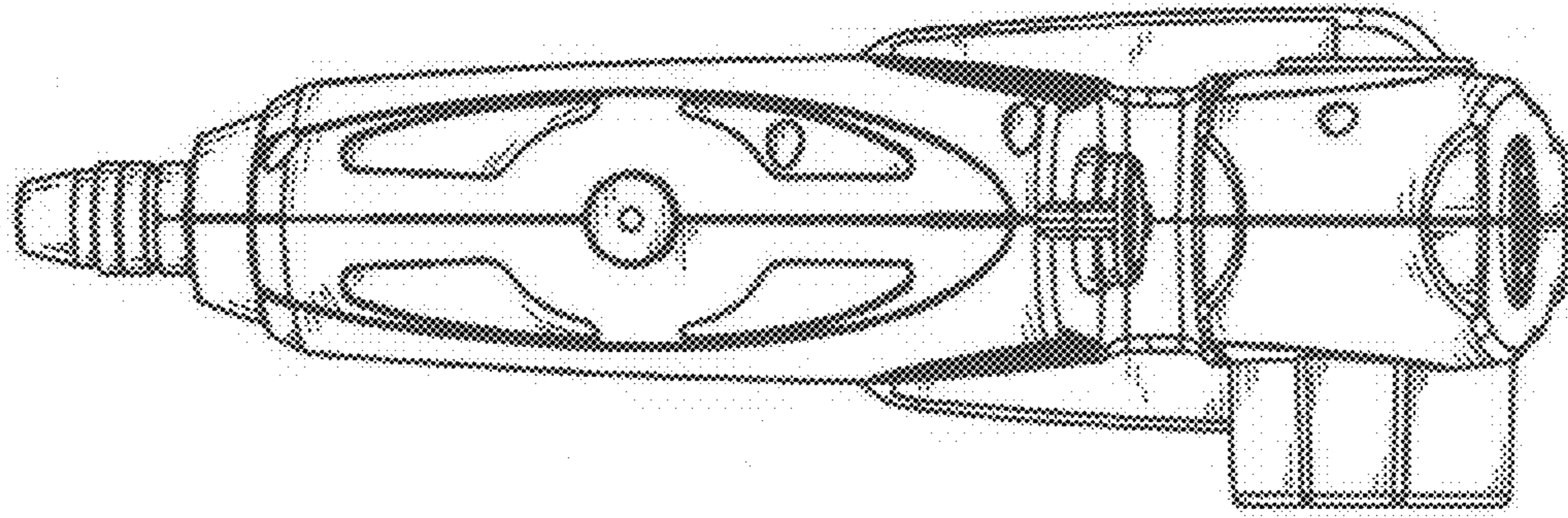


FIG. 6

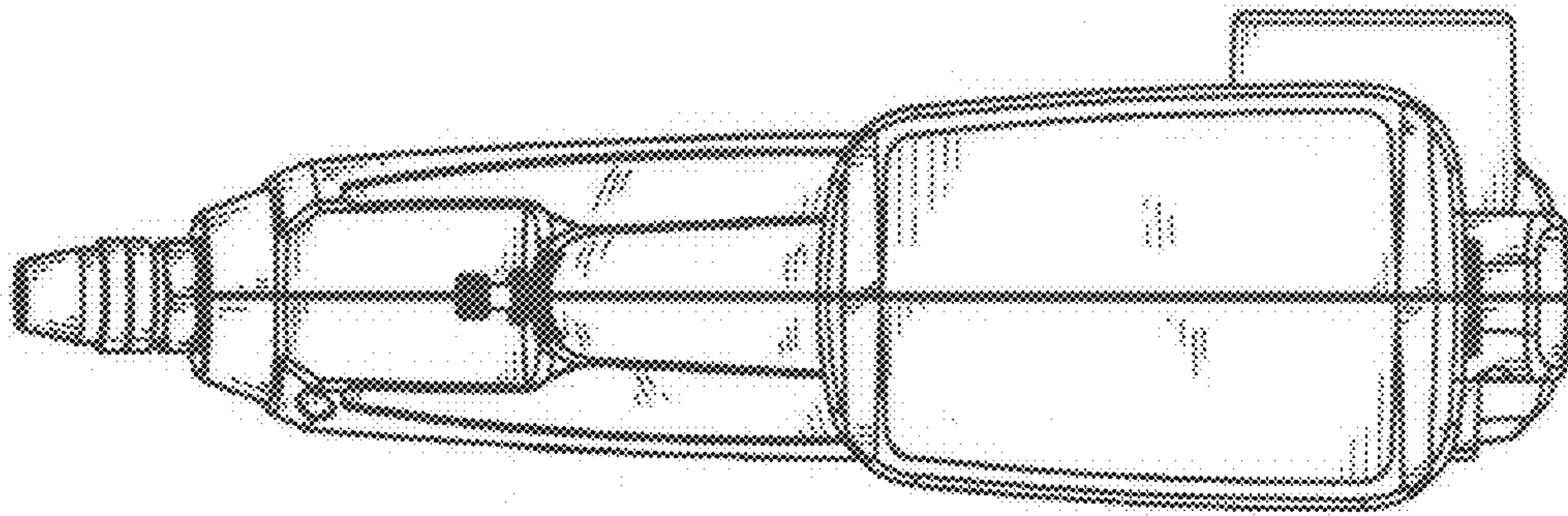


FIG. 7

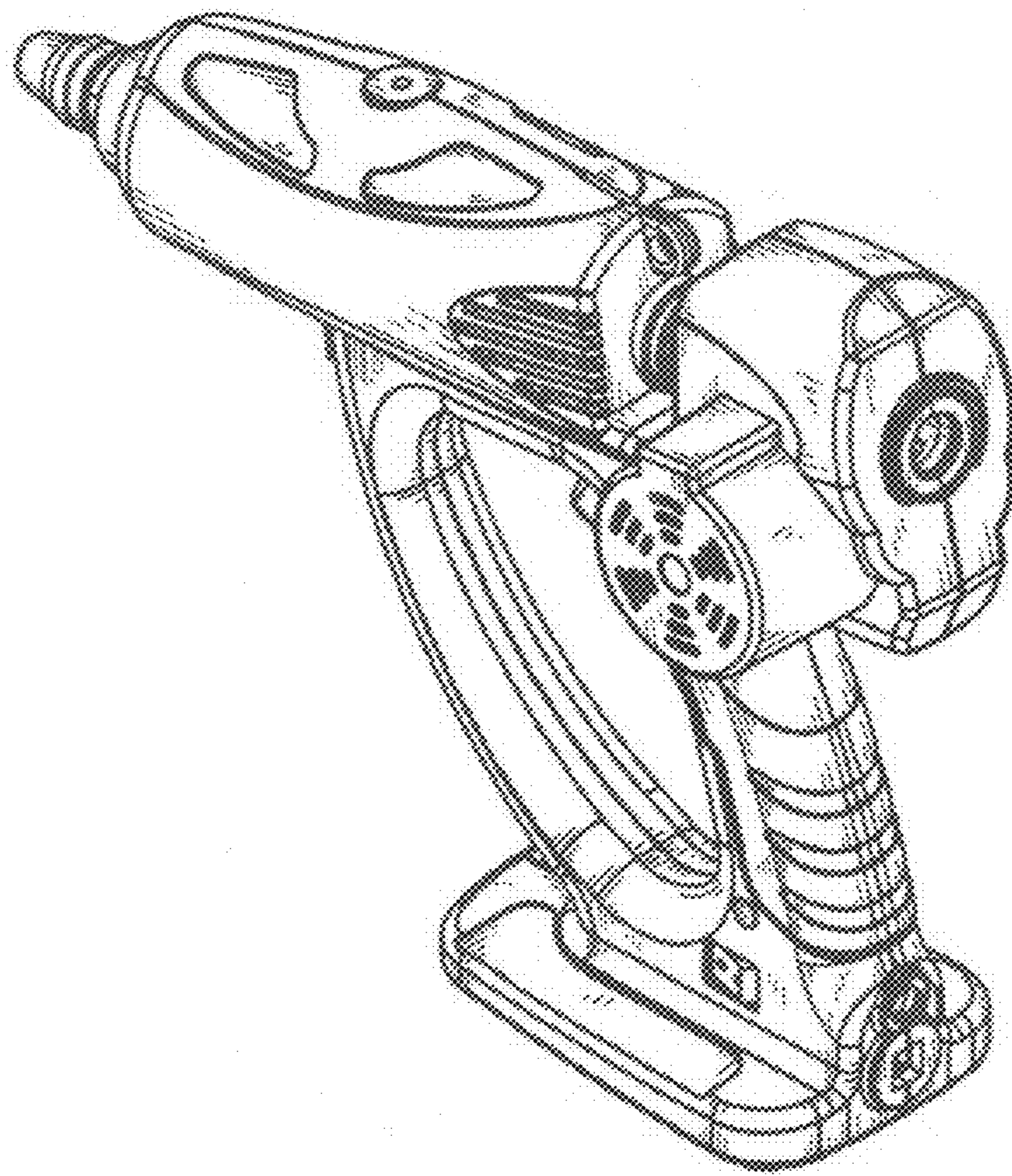


FIG. 8