



US00D877583S

(12) **United States Design Patent**
Wang

(10) **Patent No.:** **US D877,583 S**

(45) **Date of Patent:** **** *Mar. 10, 2020**

(54) **GLUE GUN**

(71) Applicant: **Shenzhen Qianhai Value Online Ecommerce Co., Ltd., Guangdong (CN)**

(72) Inventor: **Yan Wang, Guangdong (CN)**

(*) Notice: This patent is subject to a terminal disclaimer.

(**) Term: **15 Years**

(21) Appl. No.: **29/661,279**

(22) Filed: **Aug. 27, 2018**

(51) **LOC (12) Cl.** **08-05**

(52) **U.S. Cl.**
USPC **D8/30**

(58) **Field of Classification Search**
USPC D8/14.1, 29.1, 30, 68, 69
CPC B05C 17/0053; B05C 17/00546; B05C 17/00526; B05C 17/01; B05C 17/005; B05C 17/00523

See application file for complete search history.

(56) **References Cited**

U.S. PATENT DOCUMENTS

4,776,490	A *	10/1988	Wingert	B05C 17/0053	222/146.5
D303,612	S *	9/1989	Knispel	D8/14.1	
D315,852	S *	4/1991	Nusse	D8/30	
D316,019	S *	4/1991	Belanger	D8/30	
5,048,722	A *	9/1991	Lichu	B05C 17/0053	126/401
D402,518	S *	12/1998	Lee	D8/30	
D404,622	S *	1/1999	Singleton	D8/29.1	

D406,992	S *	3/1999	Cheng	D8/30	
D412,432	S *	8/1999	Bokros	D8/14.1	
6,105,824	A *	8/2000	Singleton	B05C 17/0053	219/221
D474,949	S *	5/2003	Schaffeld	D8/14.1	
D510,243	S *	10/2005	Lee	D8/30	
D514,406	S *	2/2006	Lee	D8/30	
D535,167	S *	1/2007	Monfeli	D8/14.1	
D576,458	S *	9/2008	Arns	D8/30	
7,775,403	B2 *	8/2010	Monfeli	B05C 17/00526	219/242
2004/0232165	A1 *	11/2004	Lee	B05C 17/0053	222/146.5
2015/0209820	A1 *	7/2015	Ono	B05C 17/00546	222/80

* cited by examiner

Primary Examiner — Philip S Hyder

(74) *Attorney, Agent, or Firm* — Prakash Nama; Global IP Services, PLLC

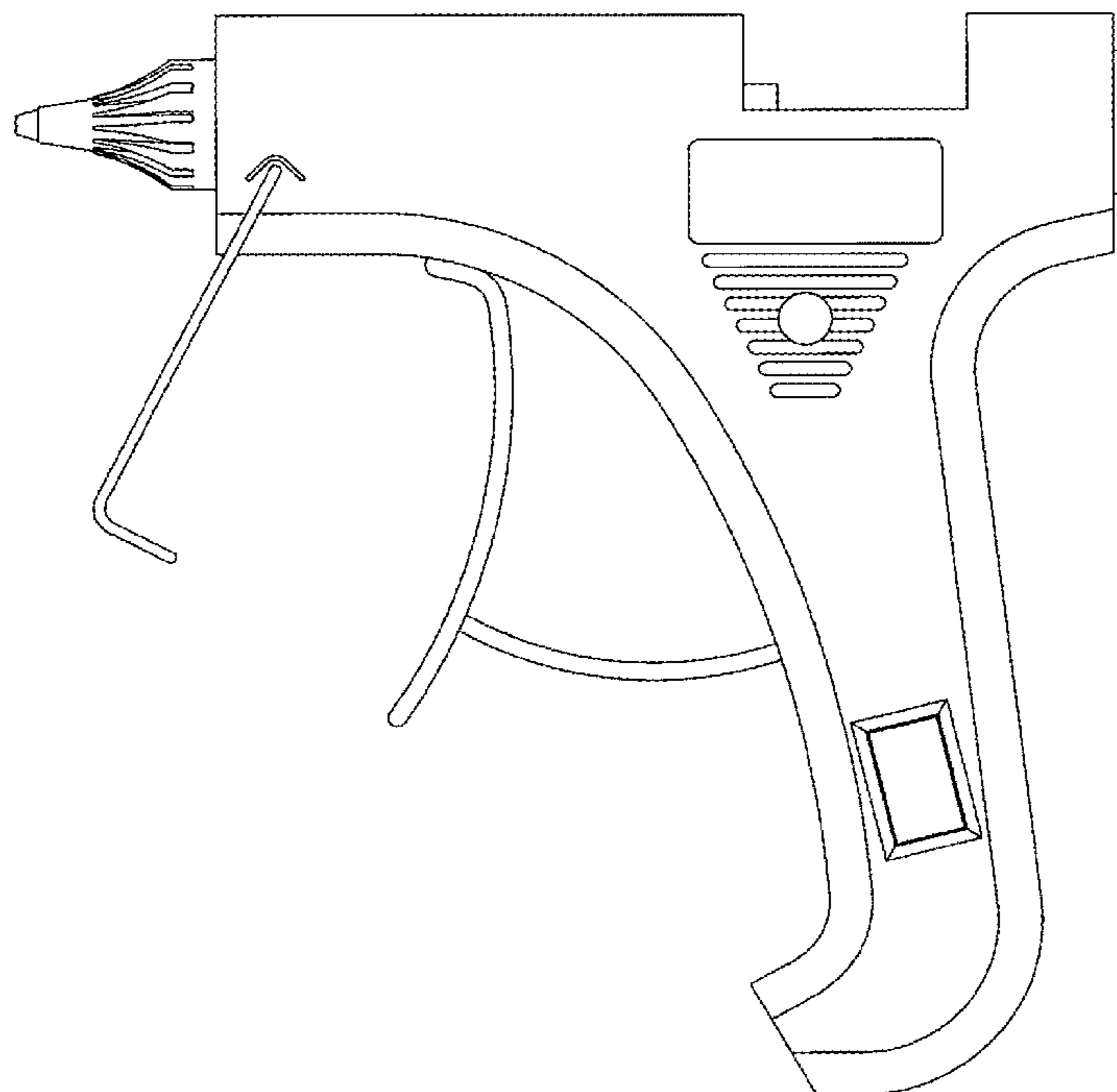
(57) **CLAIM**

The ornamental design for a glue gun, as shown and described.

DESCRIPTION

FIG. 1 is a front elevational view of a glue gun showing my new design;
FIG. 2 is a rear elevational view thereof;
FIG. 3 is a left side view thereof;
FIG. 4 is a right side view thereof;
FIG. 5 is a top plan view thereof;
FIG. 6 is a bottom plan view thereof;
FIG. 7 is a perspective view thereof; and,
FIG. 8 is another perspective view thereof.

1 Claim, 7 Drawing Sheets



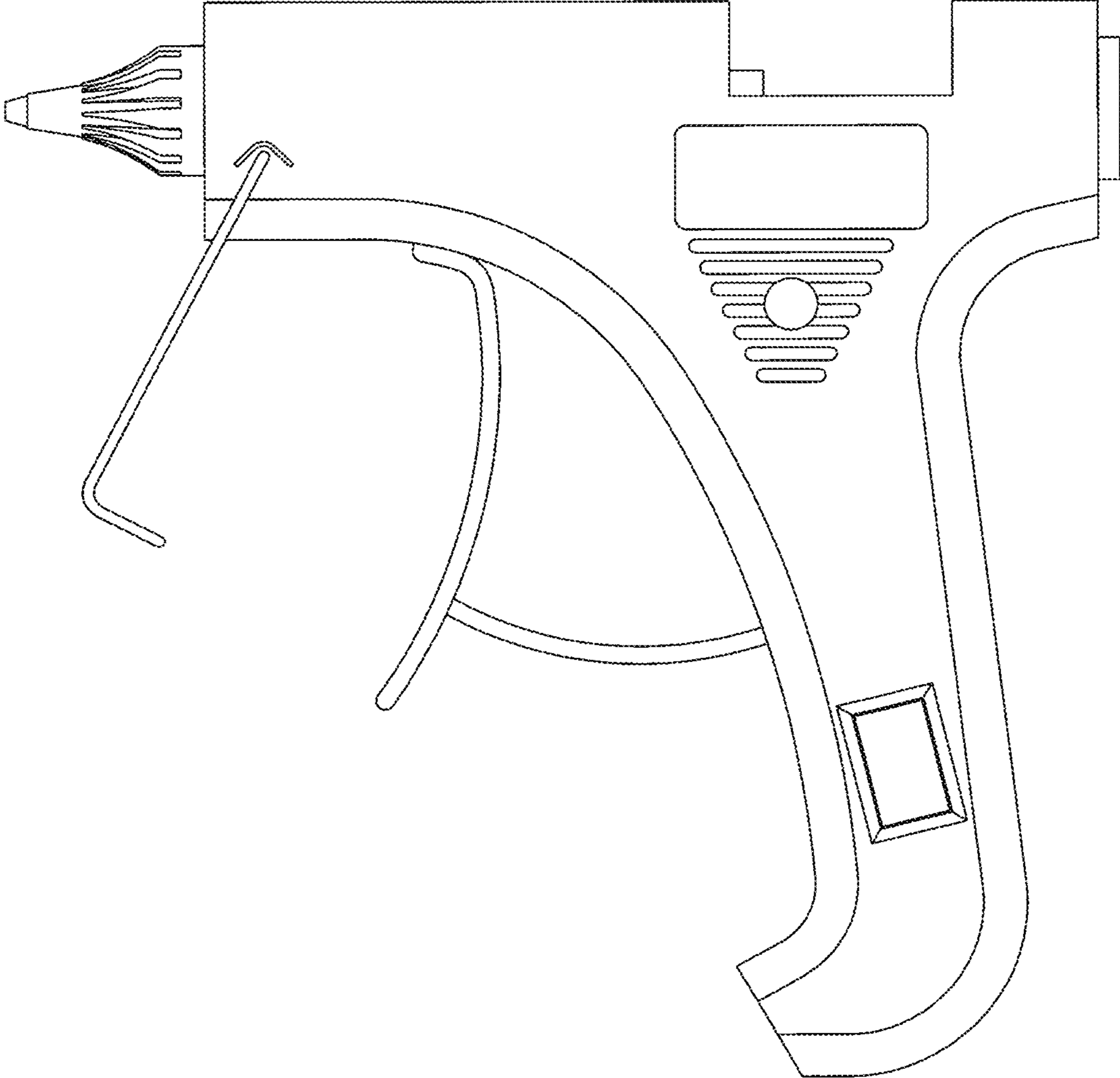


Fig. 1

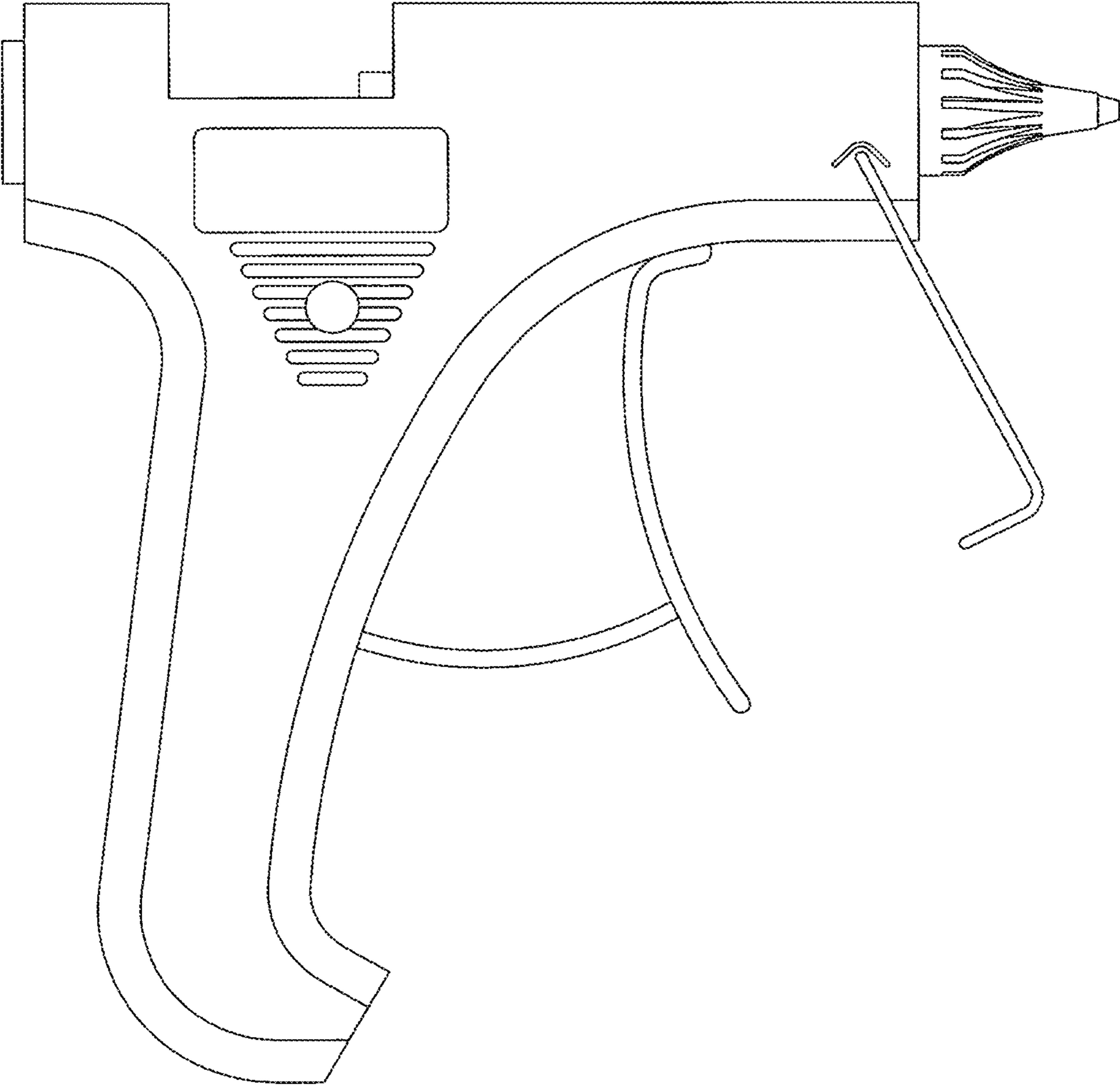


Fig. 2

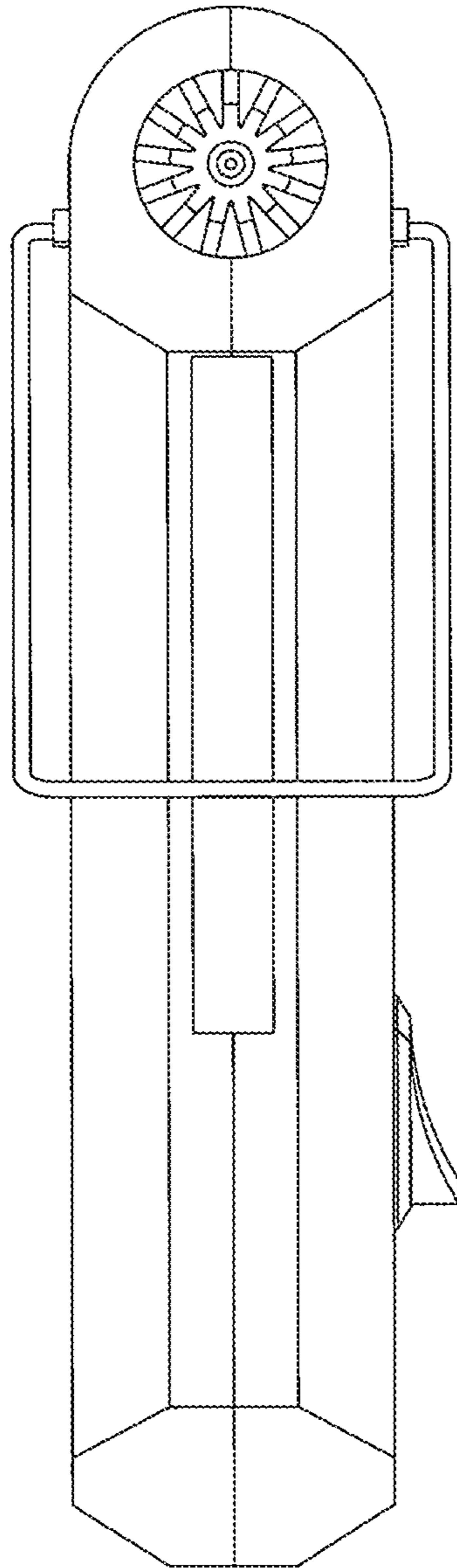


Fig. 3

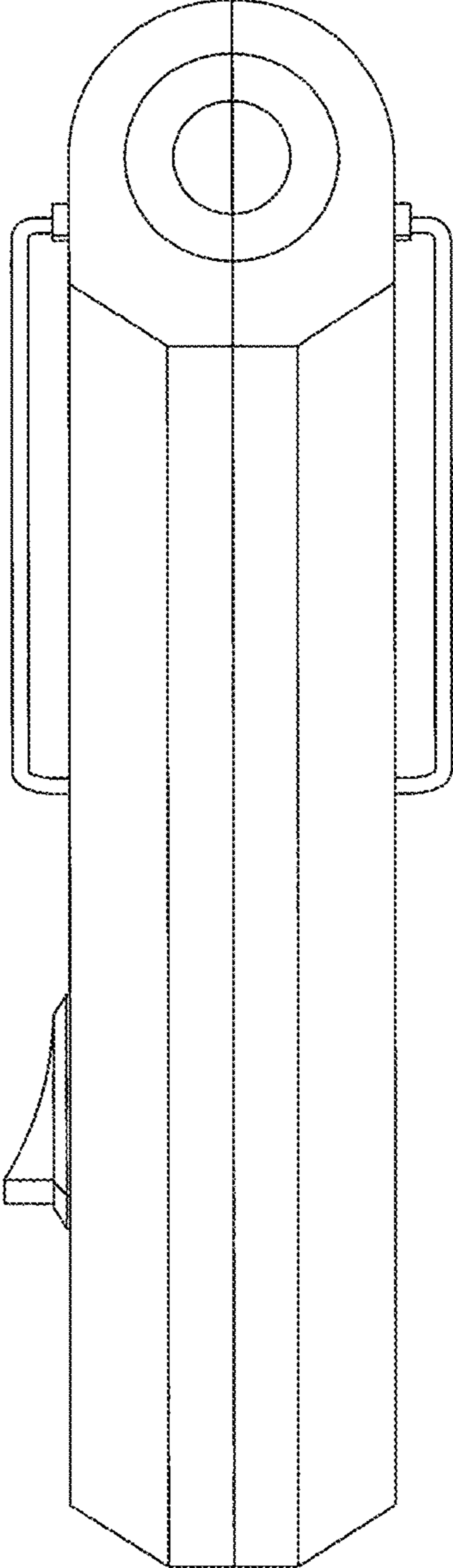


Fig. 4

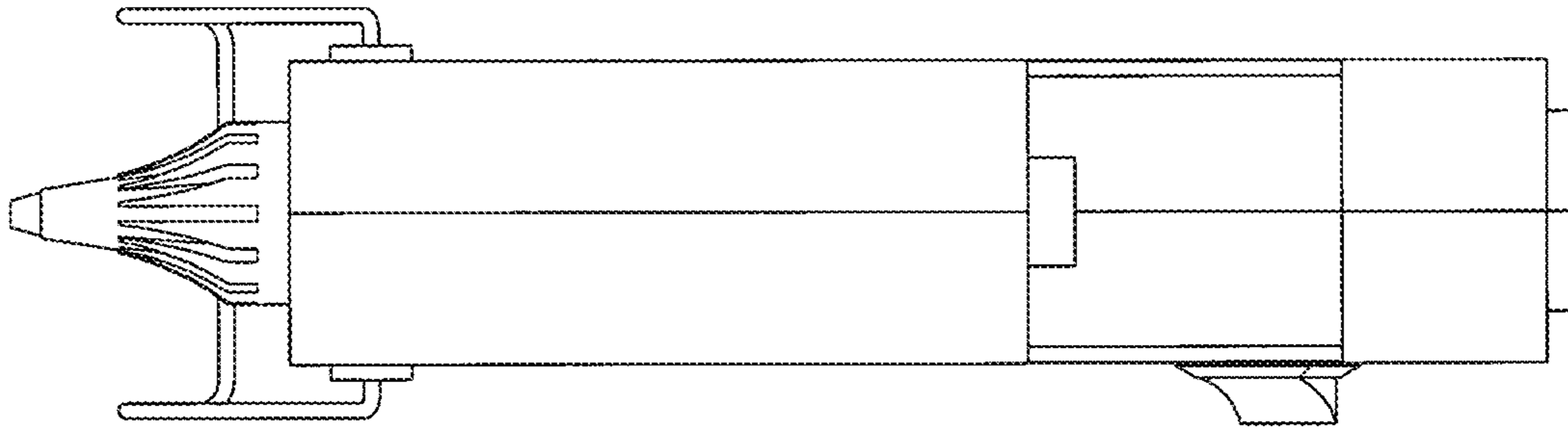


Fig. 5

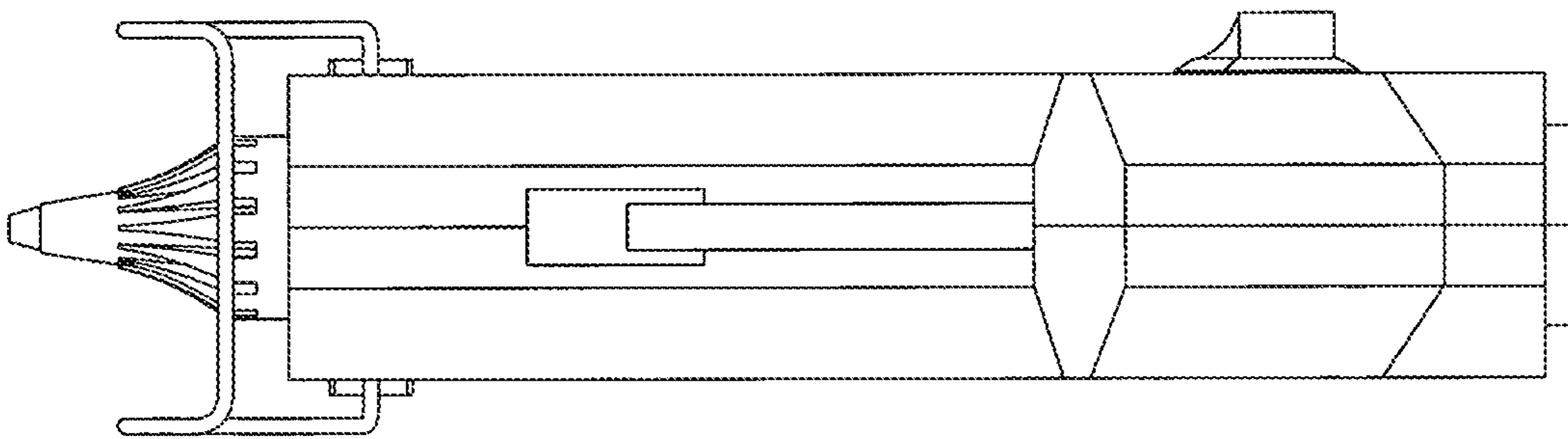


Fig. 6

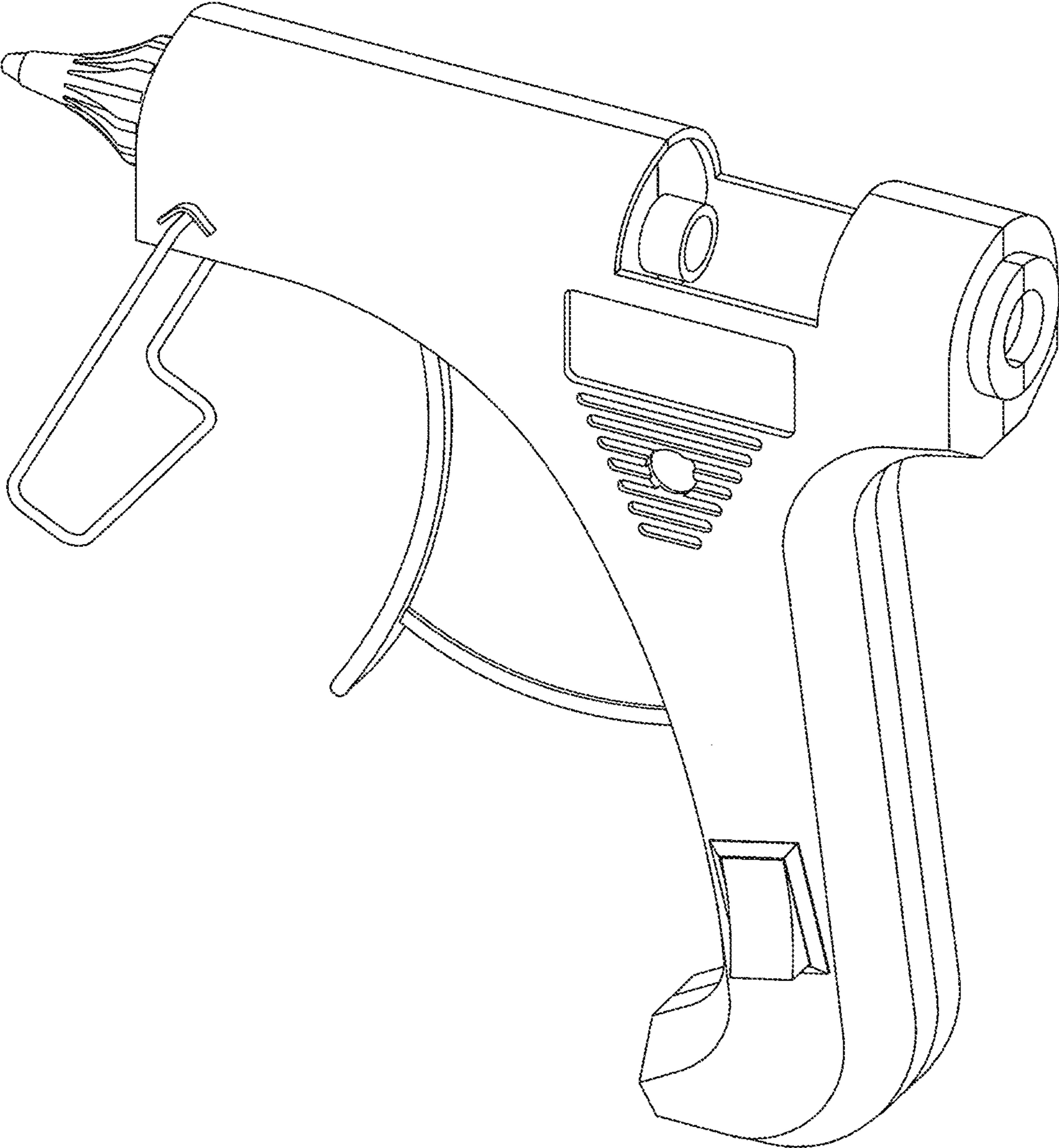


Fig. 7

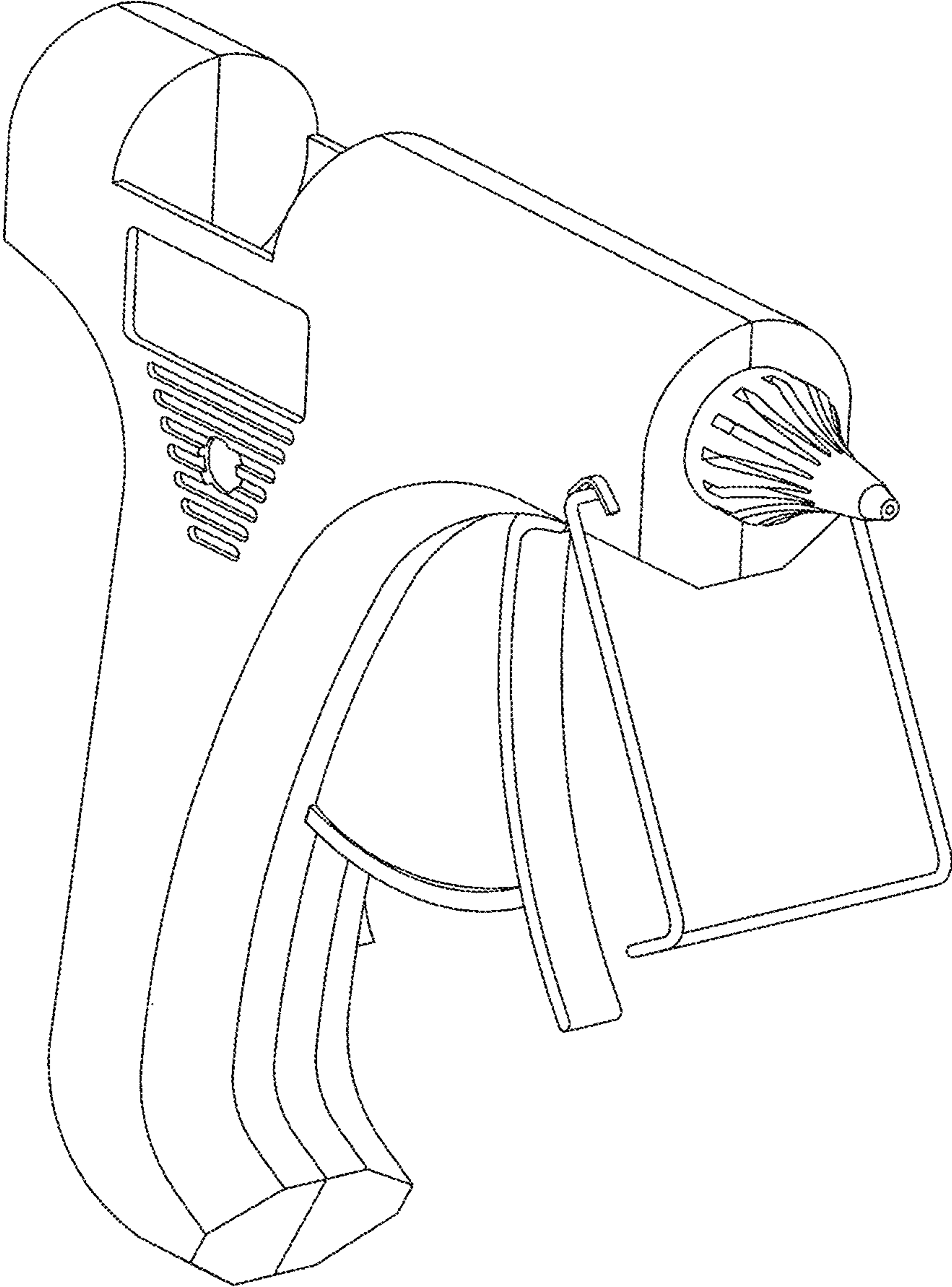


Fig. 8