



US00D877580S

(12) **United States Design Patent**  
**Dishman**

(10) **Patent No.:** **US D877,580 S**

(45) **Date of Patent:** **\*\* Mar. 10, 2020**

- (54) **T-SHAPED MINI POST DRIVER**
- (71) Applicant: **Larry Dishman**, Grand Island, NE (US)
- (72) Inventor: **Larry Dishman**, Grand Island, NE (US)
- (73) Assignee: **LD PIONEERING, LLC**, Grand Island, NE (US)
- (\*\*) Term: **15 Years**
- (21) Appl. No.: **29/656,050**
- (22) Filed: **Jul. 10, 2018**

5,029,651 A *	7/1991	Ubbink	.....	B25D 1/16
				173/126
5,042,591 A *	8/1991	Hull	.....	B25D 1/16
				173/132
5,495,878 A *	3/1996	McKenen, Jr.	.....	B25D 1/16
				144/193.1
D587,548 S *	3/2009	O'Toole	.....	D8/14
7,980,323 B2 *	7/2011	Wilson	.....	E04H 17/263
				173/162.1
D658,953 S *	5/2012	Wilson	.....	E04H 17/263
				D8/14
D676,494 S *	2/2013	Bengyak	.....	D20/29
D805,654 S *	12/2017	Ziaylek	.....	D25/41.1
D829,517 S *	10/2018	Coleman	.....	D8/14
D850,877 S *	6/2019	Zhang	.....	D8/55
2007/0181320 A1 *	8/2007	Mason	.....	B25D 1/16
				173/90
2009/0090527 A1 *	4/2009	Wilson	.....	E04H 17/263
				173/90
2012/0111593 A1 *	5/2012	O'Toole	.....	E04H 17/263
				173/90

**Related U.S. Application Data**

- (63) Continuation-in-part of application No. 15/873,708, filed on Jan. 17, 2018.
- (51) **LOC (12) Cl.** ..... **08-05**
- (52) **U.S. Cl.**  
USPC ..... **D8/14**
- (58) **Field of Classification Search**  
USPC ..... D8/14, 75, 88, 89, 107; D25/41.1  
CPC ..... E04H 17/261; E04H 17/263; E04H 17/26;  
B25D 1/16  
See application file for complete search history.

\* cited by examiner

*Primary Examiner* — Philip S Hyder

(57) **CLAIM**

The ornamental design for a T-shaped mini post driver, as shown and described.

**DESCRIPTION**

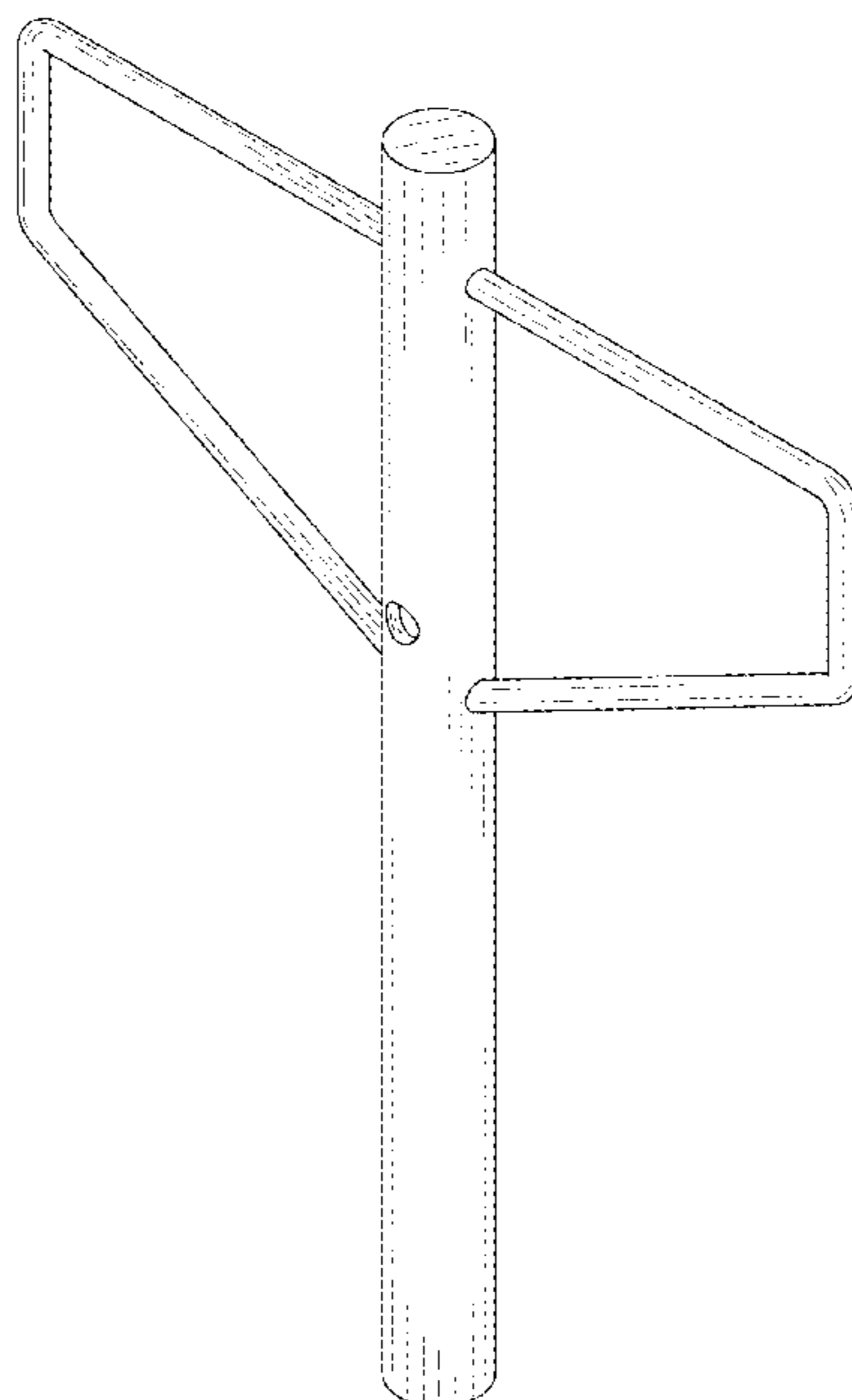
FIG. 1 is a top perspective view of a T-shaped mini post driver;  
 FIG. 2 is a bottom perspective view thereof;  
 FIG. 3 is a front elevational view thereof;  
 FIG. 4 is a rear elevational view thereof;  
 FIG. 5 is a right-side elevational view thereof;  
 FIG. 6 is a left-side elevational view thereof;  
 FIG. 7 is a top plan view thereof; and,  
 FIG. 8 is a bottom plan view thereof.

**1 Claim, 8 Drawing Sheets**

(56) **References Cited**

U.S. PATENT DOCUMENTS

2,998,087 A *	8/1961	Iddings	.....	E02D 7/04
				173/102
3,991,976 A *	11/1976	Skinner	.....	E04H 17/261
				254/30
4,350,192 A *	9/1982	Dent	.....	B27L 7/005
				144/195.5
4,971,479 A *	11/1990	Byers, Sr.	.....	E02D 7/04
				173/129



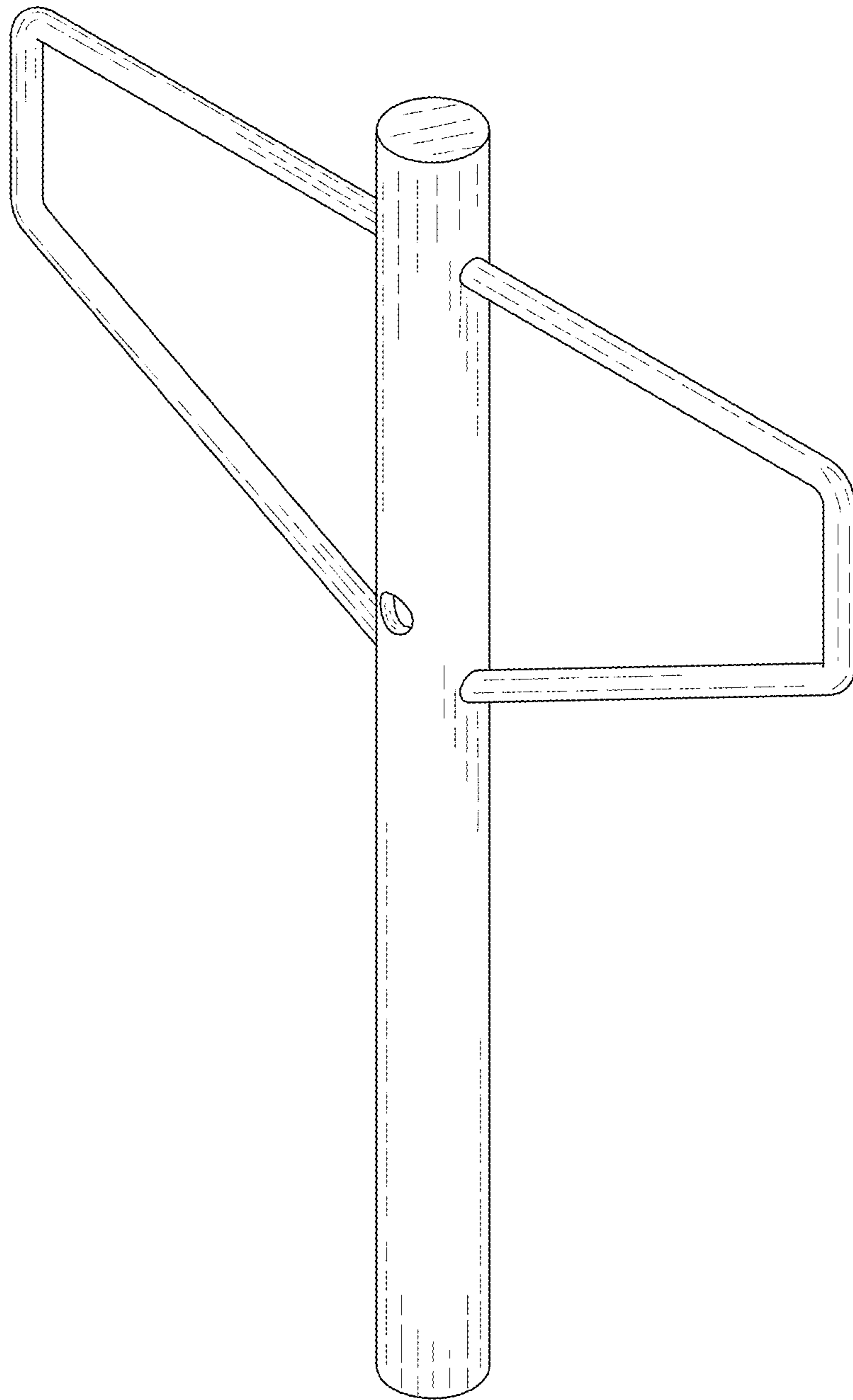


FIG. 1

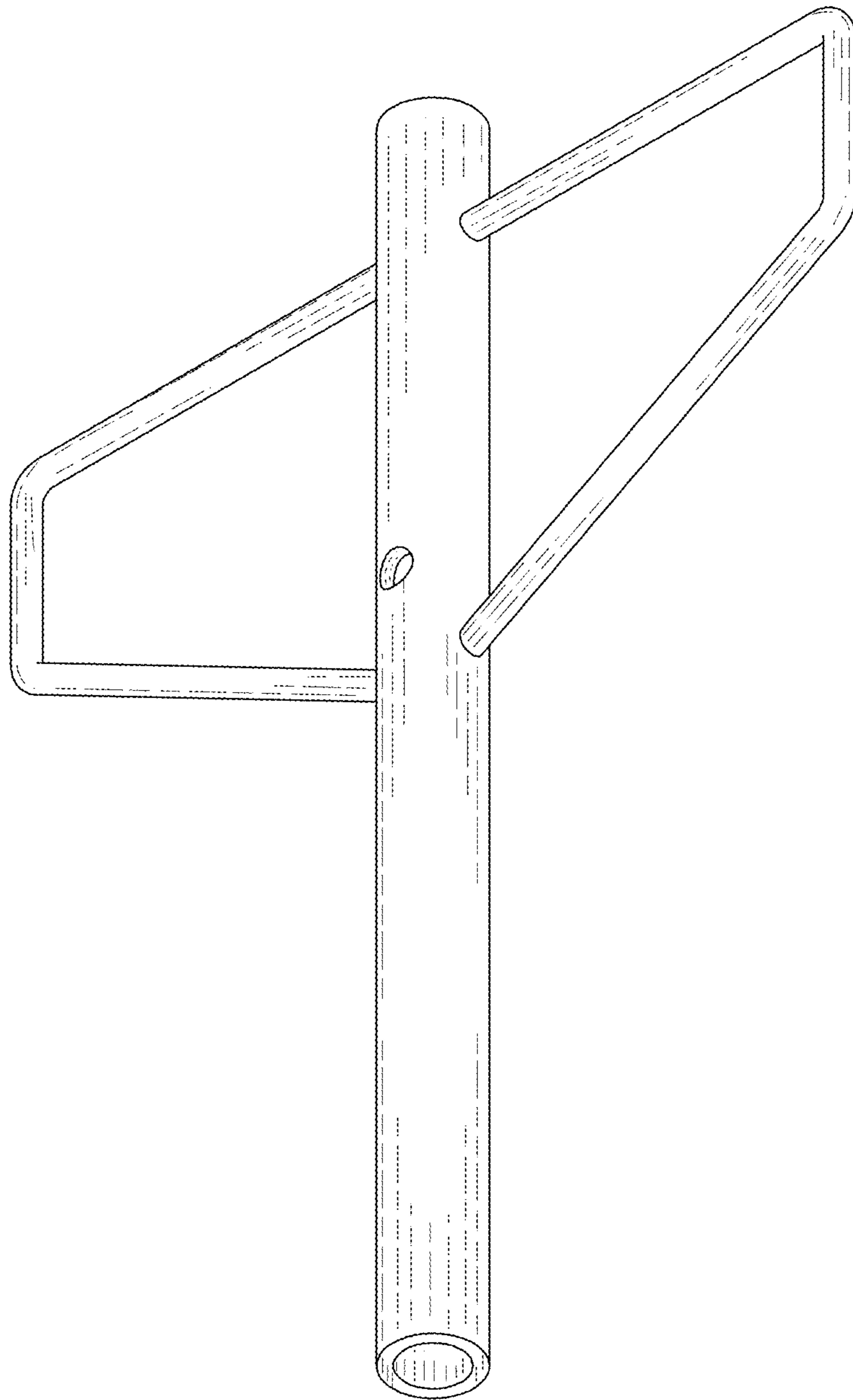


FIG. 2

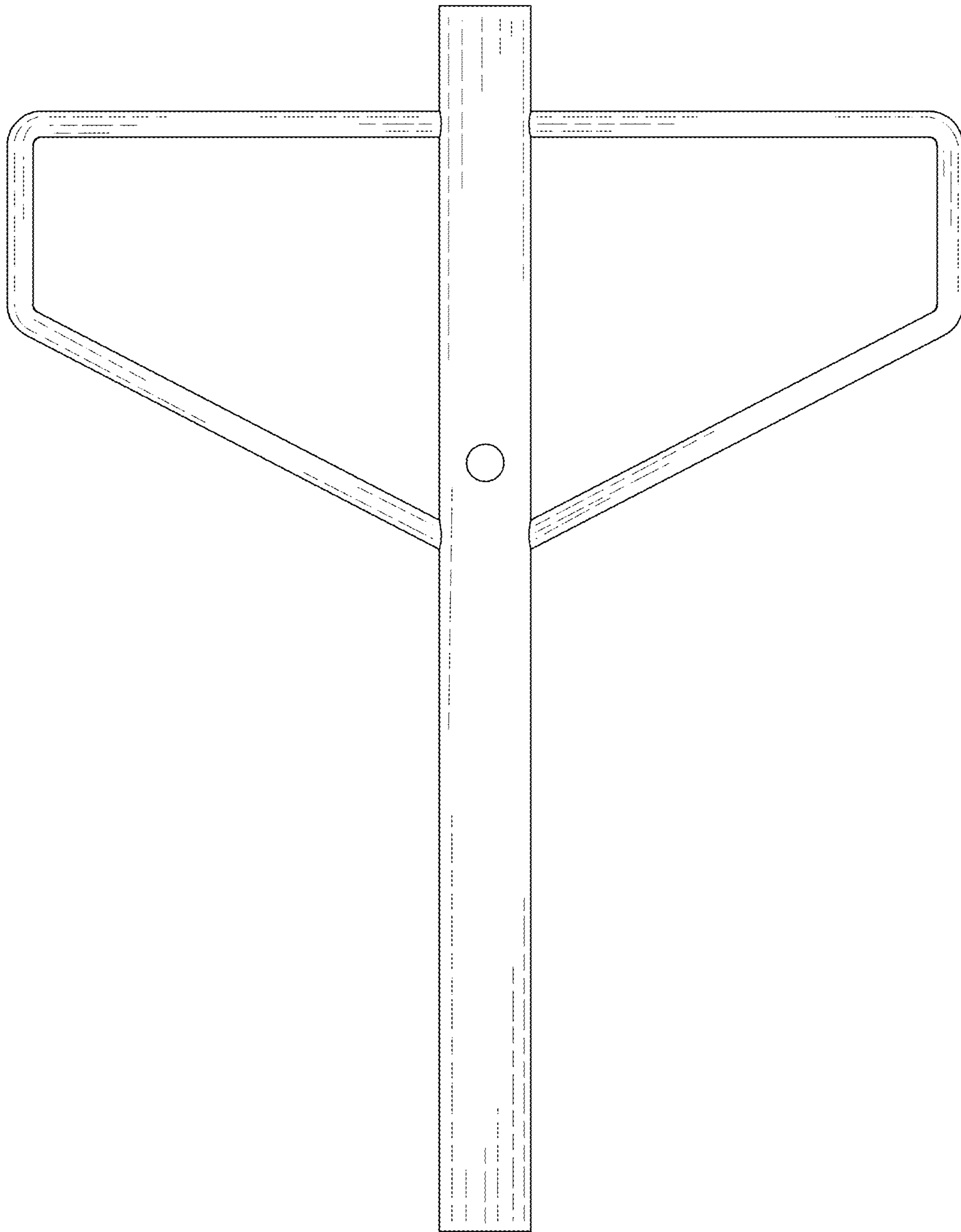


FIG. 3

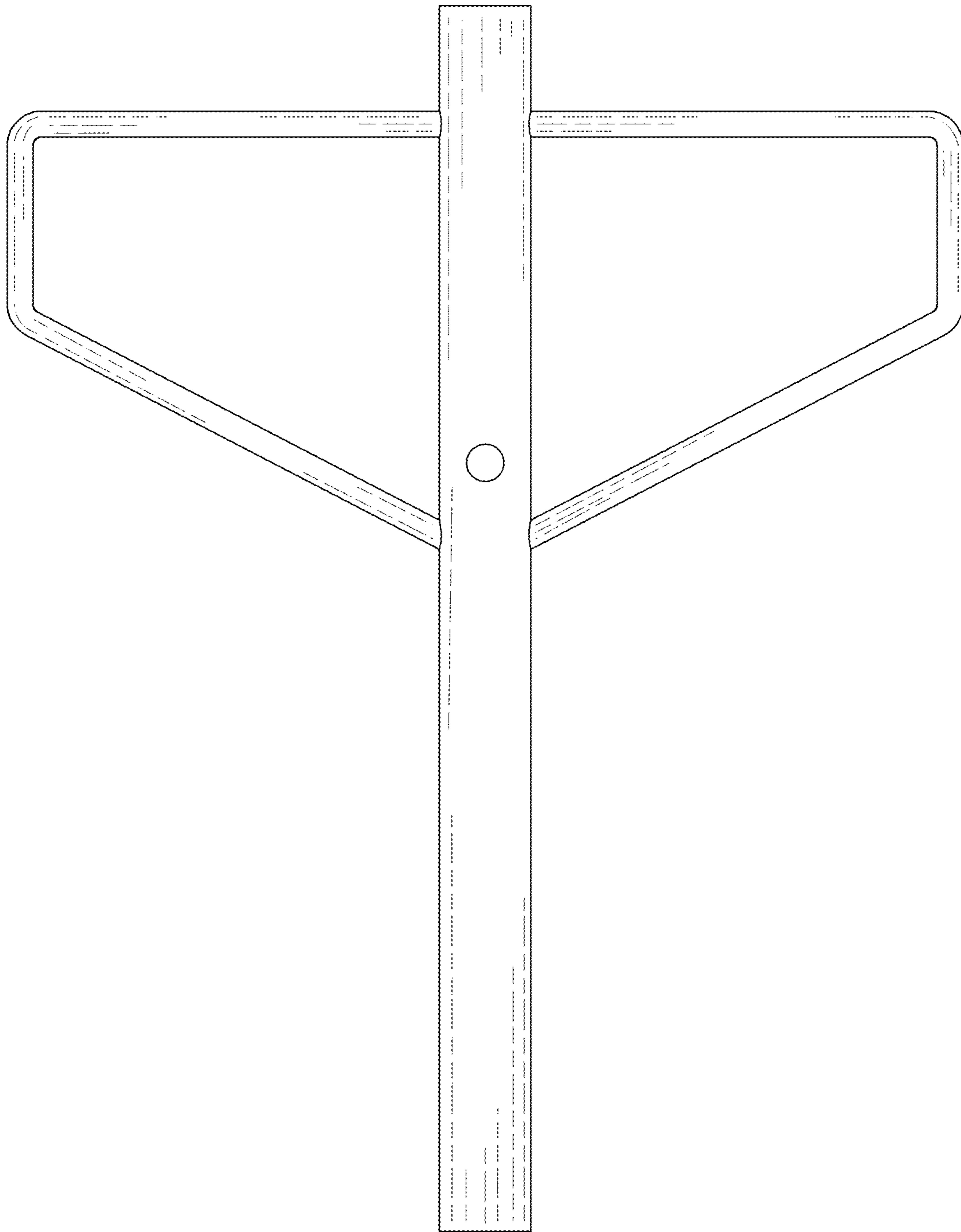


FIG. 4



FIG. 5

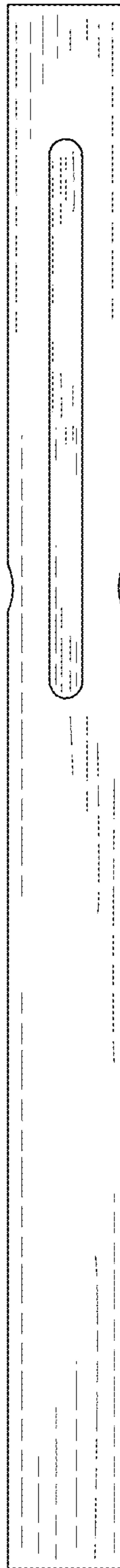


FIG. 6

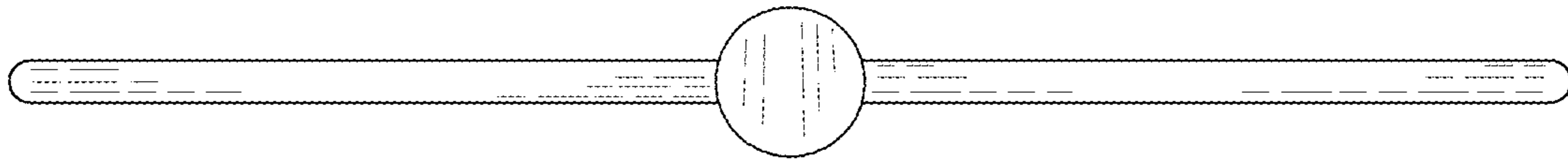


FIG. 7



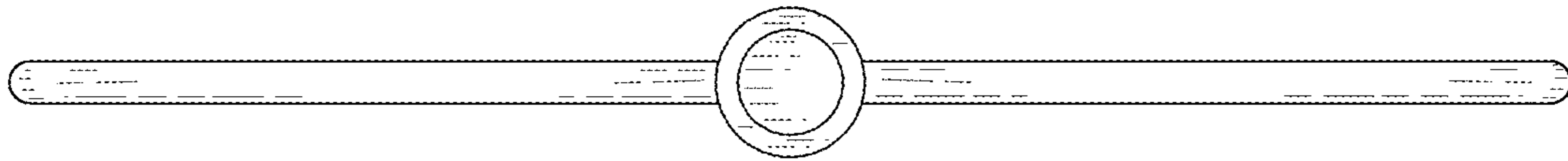


FIG. 8