



US00D877579S

(12) **United States Design Patent**
Heine et al.

(10) **Patent No.:** **US D877,579 S**
(45) **Date of Patent:** **** Mar. 10, 2020**

(54) **CUTTING TOOL FOR TREE PRUNING**

(71) Applicant: **Fiskars Finland Oy Ab**, Helsinki (FI)

(72) Inventors: **Mikko Heine**, Helsinki (FI);
Olli-Pekka Vanttilä, Helsinki (FI);
Vesa Poutiainen, Helsinki (FI); **Sami Lyytikäinen**, Helsinki (FI)

(73) Assignee: **FISKARS FINLAND OY AB**, Helsinki (FI)

(**) Term: **15 Years**

(21) Appl. No.: **29/568,144**

(22) Filed: **Jun. 15, 2016**

(30) **Foreign Application Priority Data**

Dec. 22, 2015 (EM) 002918912

(51) **LOC (12) Cl.** **08-01**

(52) **U.S. Cl.**
USPC **D8/5**

(58) **Field of Classification Search**
USPC D8/1, 4, 5, 7, 51, 52, 53, 54, 56, 58
(Continued)

(56) **References Cited**

U.S. PATENT DOCUMENTS

2,549,280 A * 4/1951 Frederick A01G 3/0255
30/237
D321,816 S * 11/1991 Fushiya D8/7
(Continued)

Primary Examiner — Sandra S Snapp

Assistant Examiner — Ieisha N Price

(74) *Attorney, Agent, or Firm* — Leason Ellis LLP

(57) **CLAIM**

We claim the ornamental design for a cutting tool for tree pruning, as shown and described.

DESCRIPTION

The patent or application file contains at least one drawing executed in color. Copies of this patent or patent application

publication with color drawing(s) will be provided by the Office upon request and payment of the necessary fee.

FIG. 1 is a front view of the first embodiment of the claimed design;

FIG. 2 is a rear view of the claimed design of FIG. 1;

FIG. 3 is a left side view of the claimed design of FIG. 1;

FIG. 4 is a right side view of the claimed design of FIG. 1;

FIG. 5 is a perspective view of the claimed design of FIG. 1;

FIG. 6 is an enlarged bottom view of the claimed design of FIG. 1;

FIG. 7 is an enlarged top view of the claimed design of FIG. 1;

FIG. 8 is a front view of the second embodiment of the claimed design;

FIG. 9 is a rear view of the claimed design of FIG. 8;

FIG. 10 is a left side view of the claimed design of FIG. 8;

FIG. 11 is a right side view of the claimed design of FIG. 8;

FIG. 12 is a perspective view of the claimed design of FIG. 8;

FIG. 13 is an enlarged bottom view of the claimed design of FIG. 8;

FIG. 14 is an enlarged top view of the claimed design of FIG. 8;

FIG. 15 is a front view of the third embodiment of the claimed design;

FIG. 16 is a rear view of the claimed design of FIG. 15;

FIG. 17 is a left side view of the claimed design of FIG. 15;

FIG. 18 is a right side view of the claimed design of FIG. 15;

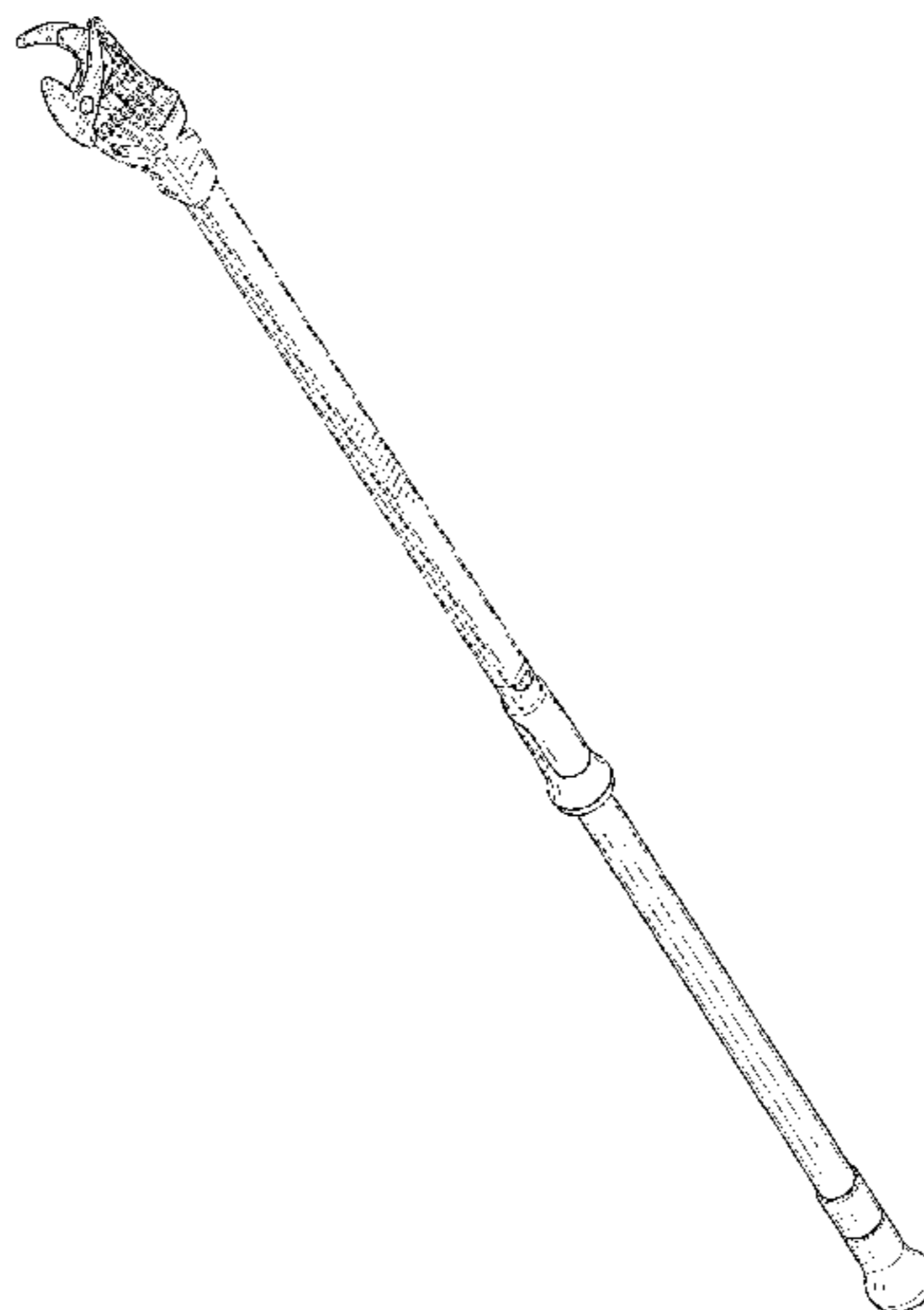
FIG. 19 is a perspective view of the claimed design of FIG. 15;

FIG. 20 is an enlarged bottom view of the claimed design of FIG. 15; and,

FIG. 21 is an enlarged top view of the claimed design of FIG. 15.

The superimposed areas encased in broken lines, shown in FIGS. 1-7 and 15-21, illustrates portions of the cutting tool for tree pruning and form no part of the claimed design. The broken lines shown in FIGS. 8-14 illustrate portions of the cutting tool for tree pruning and form no part of the claimed design.

1 Claim, 12 Drawing Sheets
(4 of 12 Drawing Sheet(s) Filed in Color)



(58) **Field of Classification Search**
 CPC A01G 3/0255; A01G 3/02; A01G 3/021;
 A01G 3/0475; A01G 3/025; A01G
 3/0335; A01G 3/033; A01G 3/037; B26B
 15/00

See application file for complete search history.

(56) **References Cited**

U.S. PATENT DOCUMENTS

5,894,667 A * 4/1999 Van Den Hout B26B 15/00
 30/249
 5,950,315 A * 9/1999 Linden A01G 3/0255
 30/188
 6,446,343 B1 * 9/2002 Huang A01G 3/0255
 30/245
 D464,542 S * 10/2002 Clivio D8/5
 D487,386 S * 3/2004 Clivio D8/5
 6,748,663 B2 6/2004 Linden
 D741,669 S * 10/2015 Lyytikainen D8/1
 D806,489 S * 1/2018 Fancelli D8/5
 2002/0162227 A1 * 11/2002 Cech A01G 3/08
 30/249

2004/0031156 A1 * 2/2004 Linden A01G 3/08
 30/249
 2009/0038162 A1 * 2/2009 Shan A01G 3/0255
 30/249
 2010/0199502 A1 * 8/2010 Linden A01G 3/0255
 30/249
 2011/0016730 A1 * 1/2011 Wu A01G 3/0255
 30/249
 2011/0107606 A1 * 5/2011 Shan A01G 3/0255
 30/249
 2011/0113635 A1 * 5/2011 Lee A01G 3/0255
 30/194
 2011/0219629 A1 * 9/2011 Wu A01G 3/0255
 30/249
 2011/0258859 A1 * 10/2011 Schofield A01G 3/037
 30/228
 2011/0271532 A1 * 11/2011 Wu A01G 3/0255
 30/249
 2012/0167396 A1 * 7/2012 Wu A01G 3/0255
 30/249
 2016/0029571 A1 * 2/2016 Held B25G 1/04
 30/249
 2017/0001297 A1 * 1/2017 Deville A01G 3/0251
 2017/0099780 A1 * 4/2017 Linden A01G 3/0255

* cited by examiner

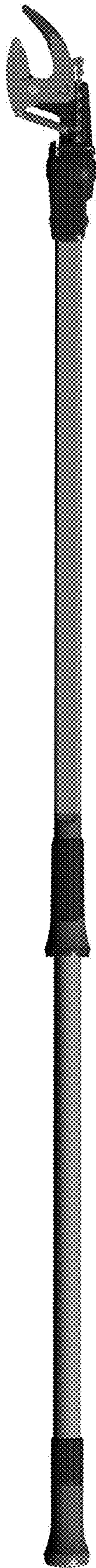


FIG. 1

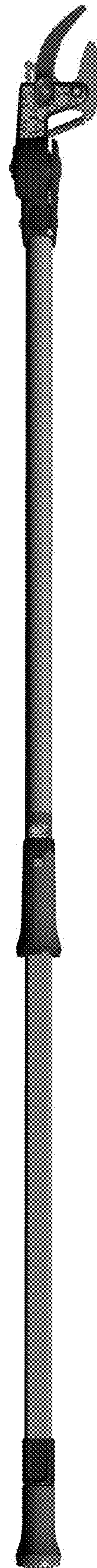


FIG. 2

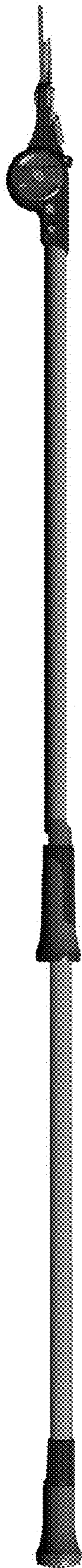


FIG. 3

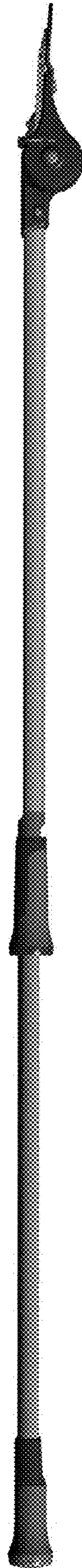


FIG. 4

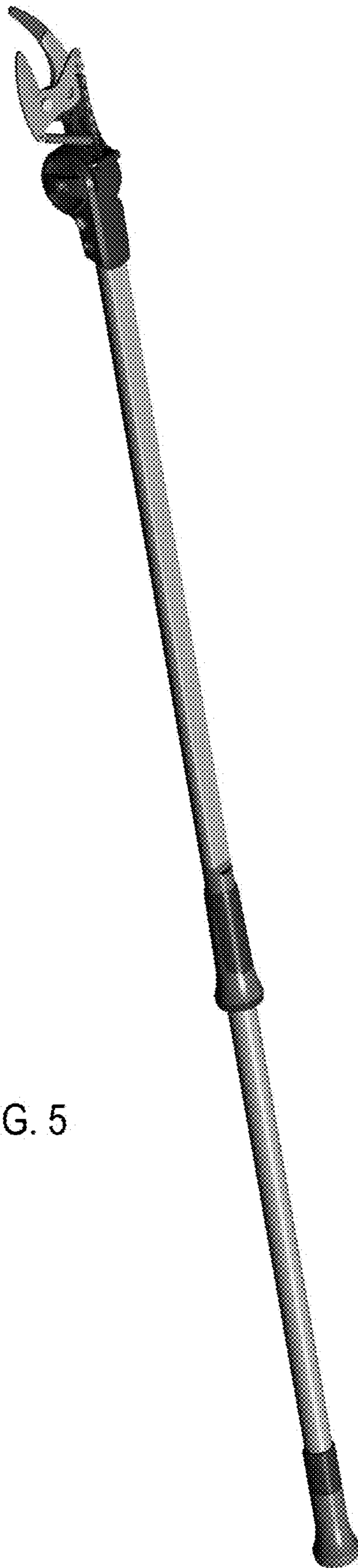


FIG. 5

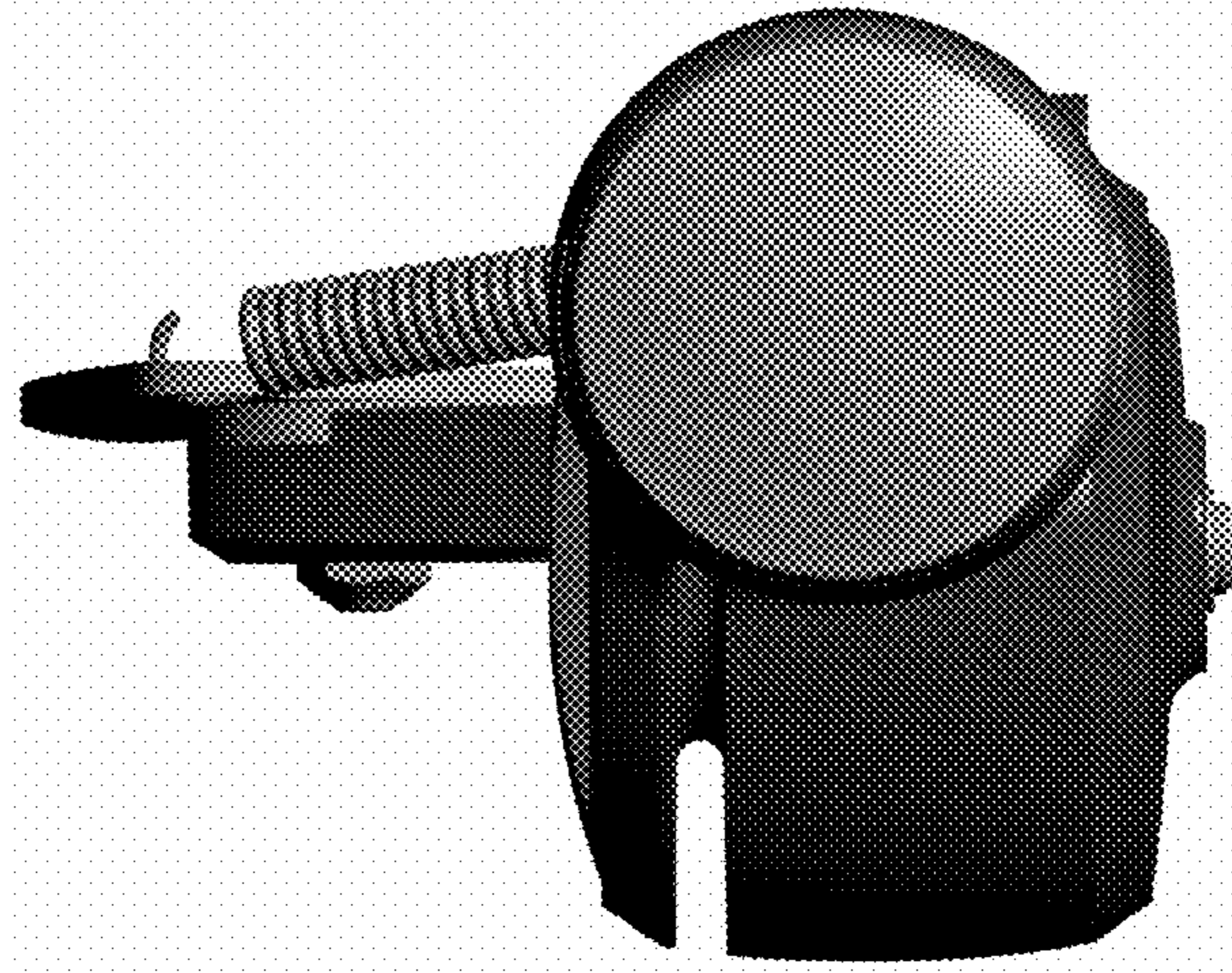


FIG. 6

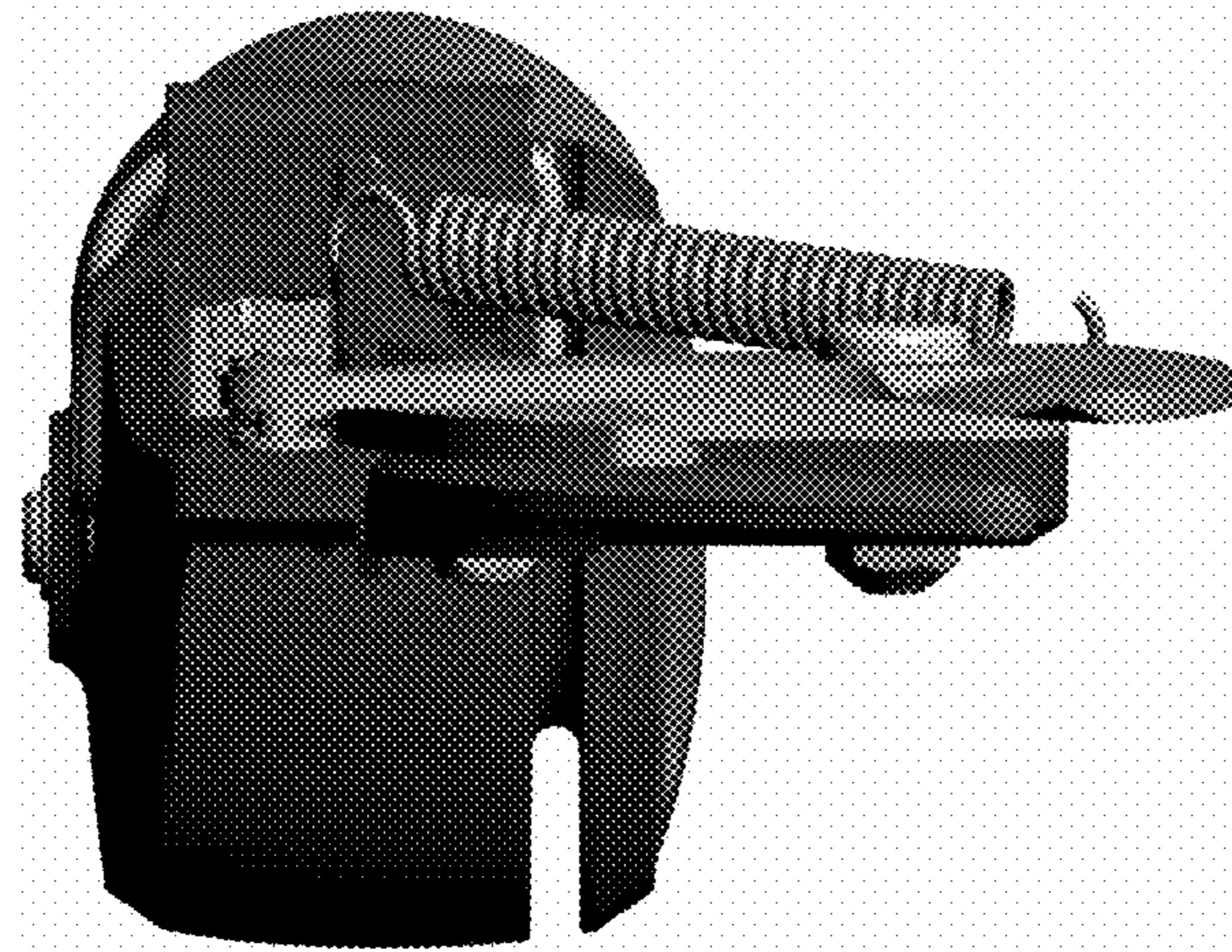


FIG. 7

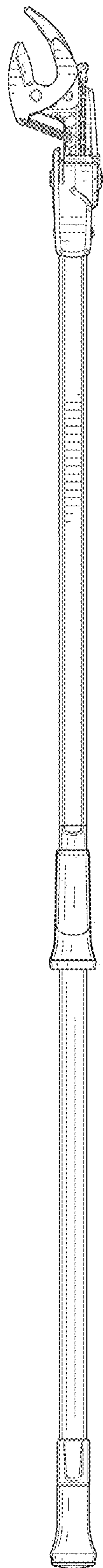


FIG. 8

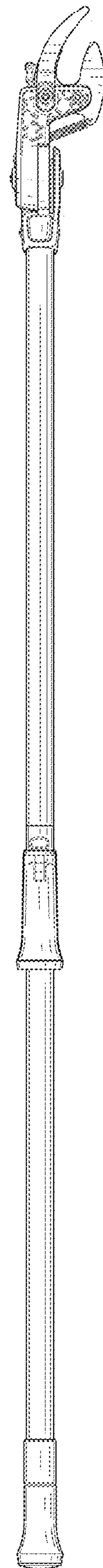


FIG. 9

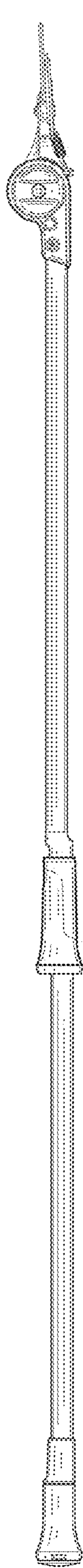


FIG. 10

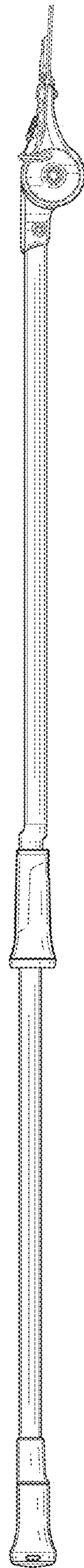


FIG. 11

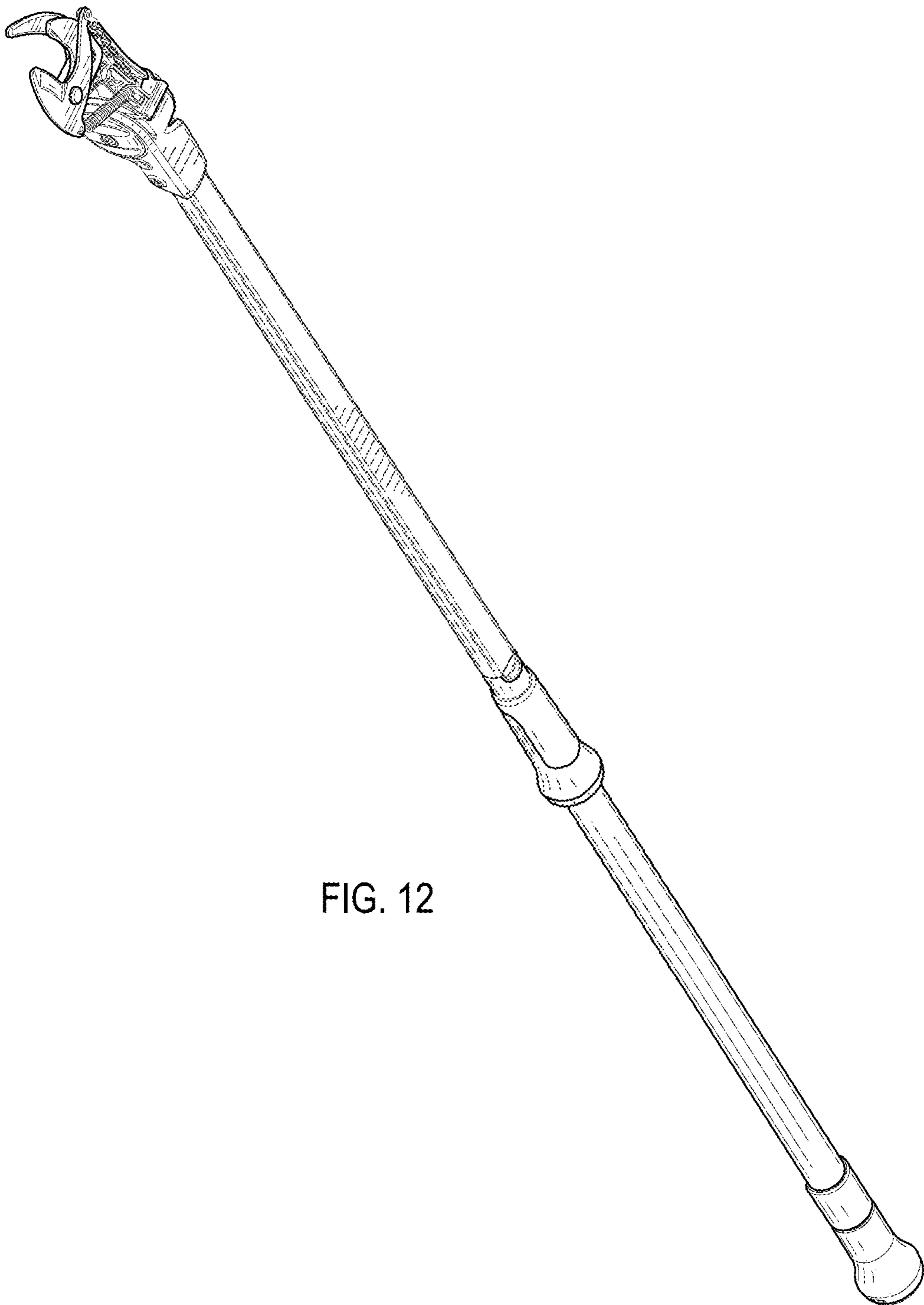


FIG. 12

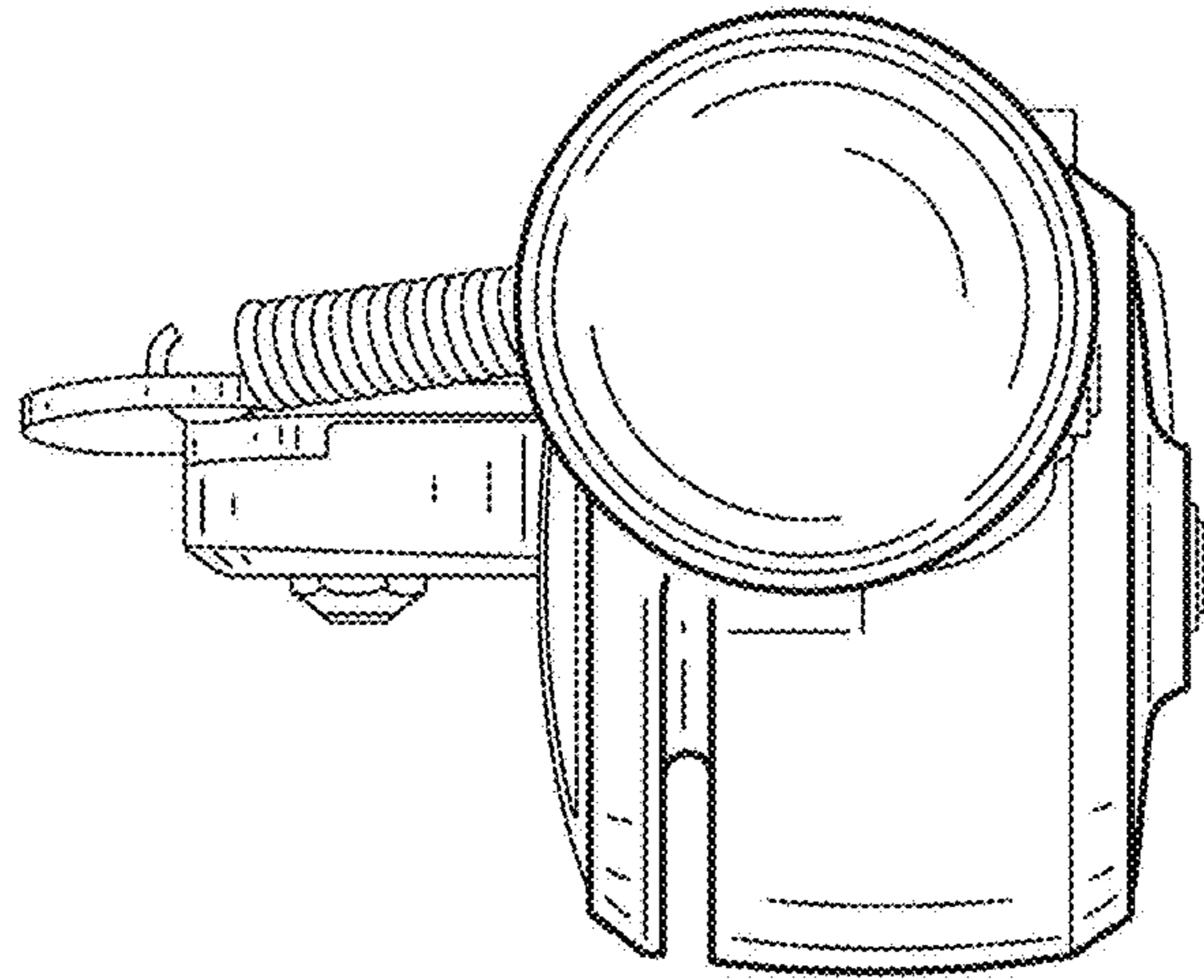


FIG. 13

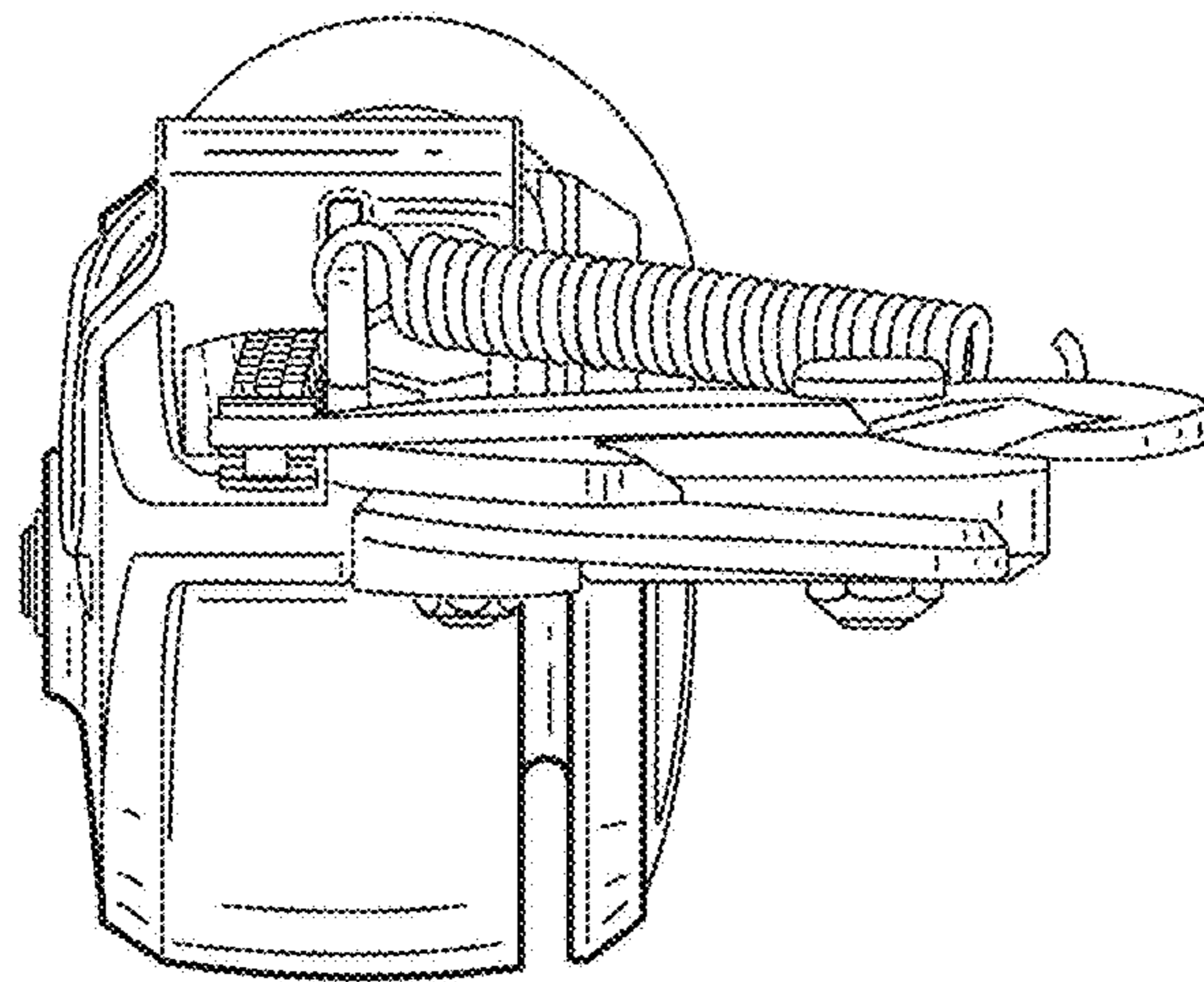


FIG. 14

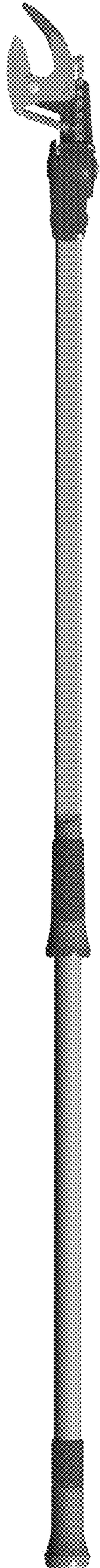


FIG. 15

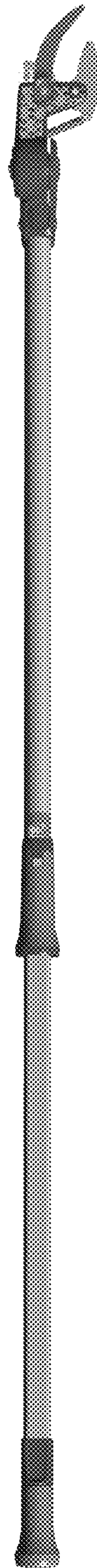


FIG. 16

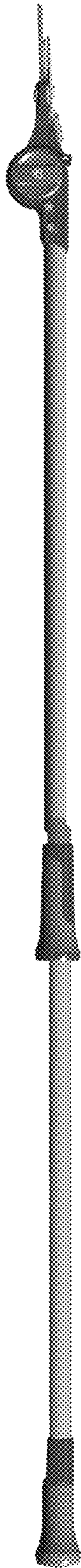


FIG. 17

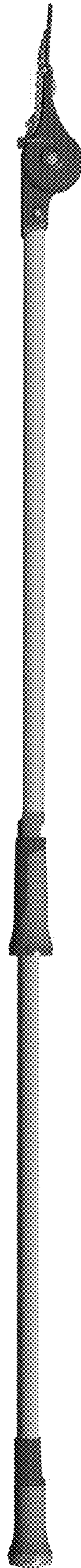


FIG. 18

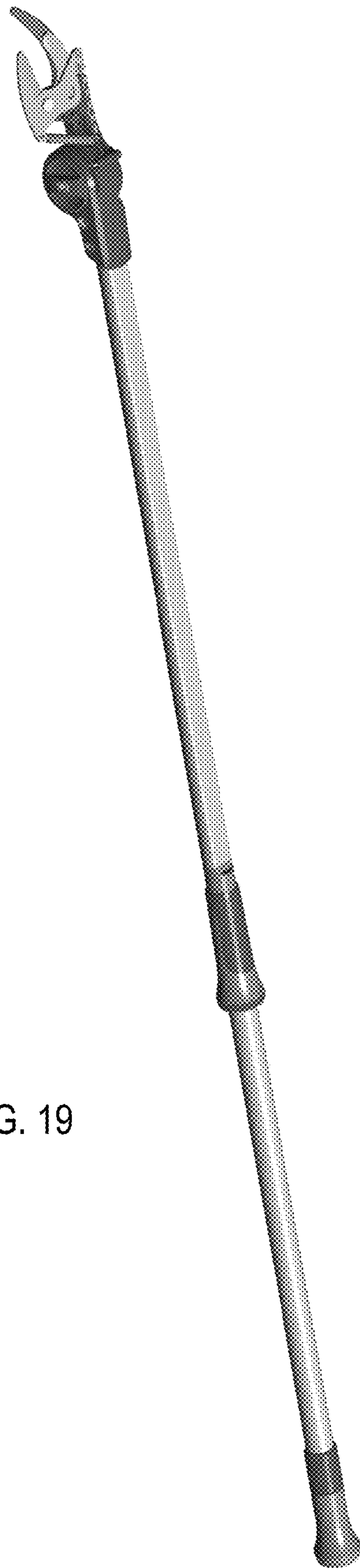


FIG. 19

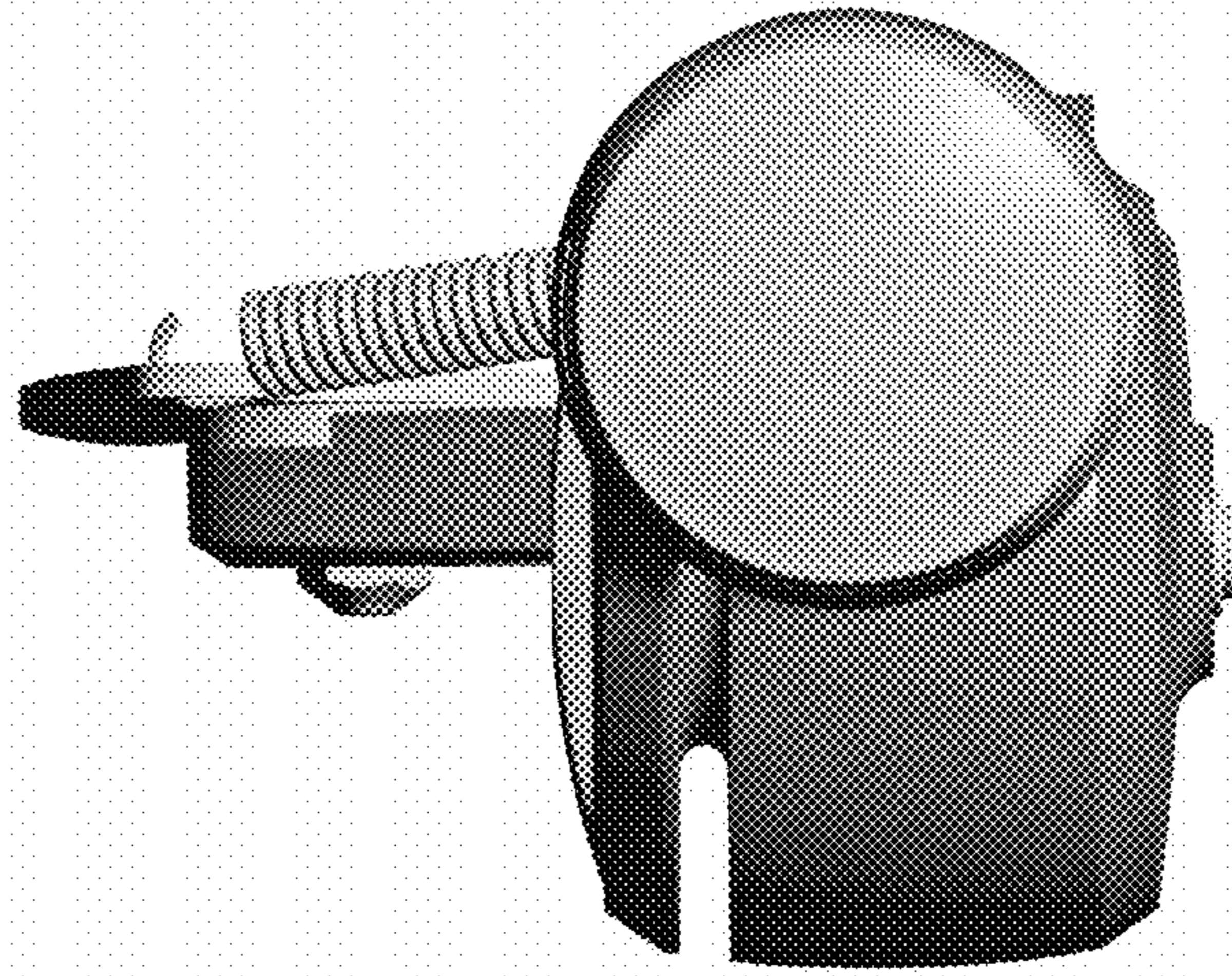


FIG. 20

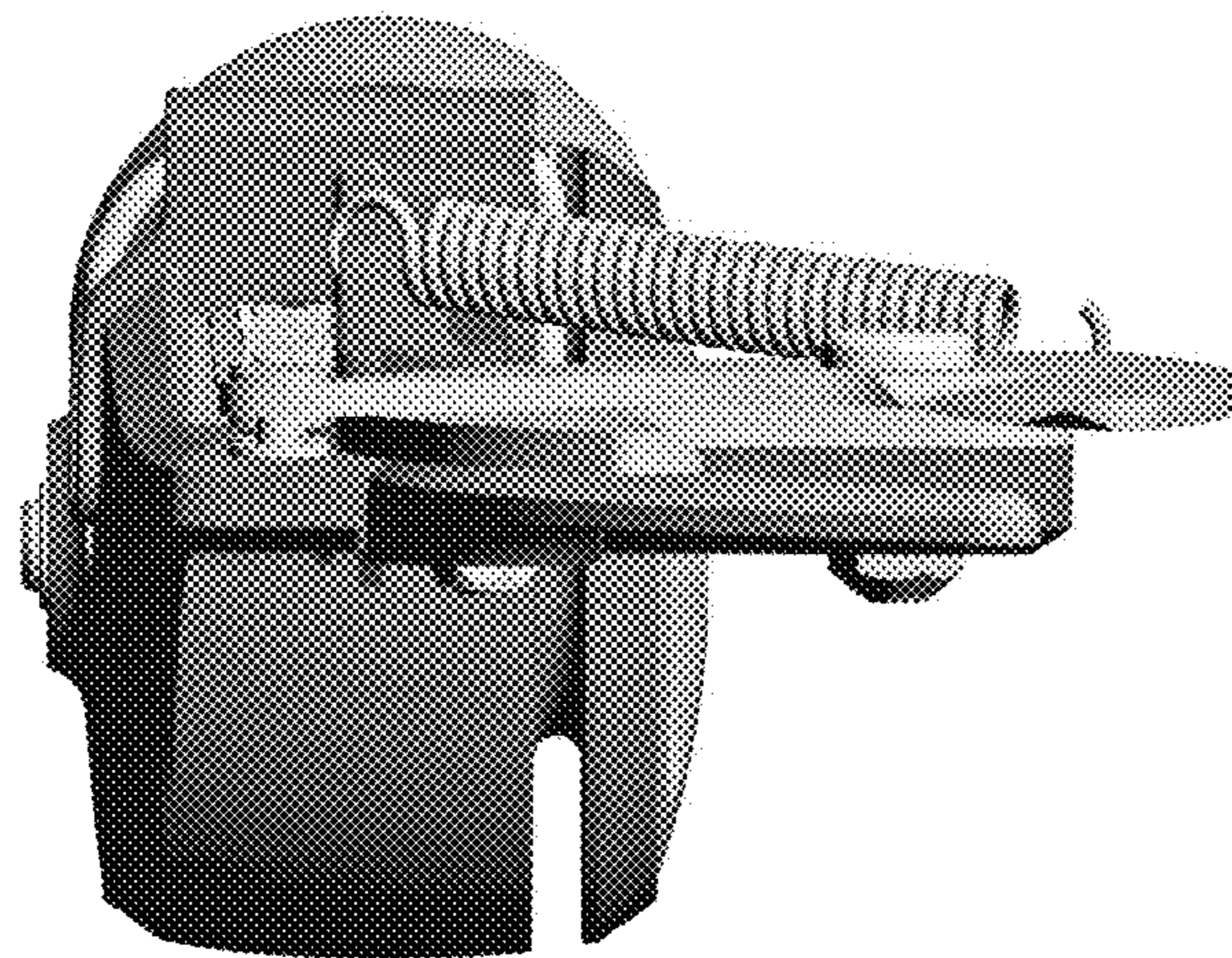


FIG. 21